



SCANIA PARTS

GENUINELY BETTER



SCANIA

YOUR SCANIA. OUR KNOWLEDGE. NO COMPROMISES.

Welcome to the new issue of Scania Parts filled to the brim with everything you need to keep your vehicles on the road and performing to their full potential.

While you peruse the latest and greatest product range available for your Scania, don't forget our Support Centre team in Milton Keynes, and all the teams across our 84-strong nationwide service centre network are here to help you get the best from your vehicles.

It goes without saying you've bought the best, so they deserve the best service, and above all, the best parts.

What makes each of our Scania parts special is the extensive and rigorous testing they go through, to make sure they match our exact production specification and standards.

But why does that matter? Quite simply, it means your Scania will be ready for whatever job you choose to test it with, even in the most difficult or extreme operating conditions.

By choosing original Scania parts, you are limiting the amount of time that your vehicle needs to be off the road. Plus, each part is supported by our 24-month nationwide fitted parts warranty.

If the unspeakable does happen. Fear not. We will work quickly and efficiently to get you back on the road. Uptime in no time!

Our dedicated service centre network have direct daily access to our global parts centre in Oudsbergen, Belgium, and our national parts centre in Leicestershire, with over 190,000 product lines and £160M invested in our parts stock, to deliver the parts that you need to keep your business moving.

Over the coming months you may notice some differences with our packaging materials for our parts, as we move towards greater use of biodegradable and reusable packaging. Another small step underpinning our sustainability targets, as we strive towards our goal, "Driving the shift towards a sustainable transport ecosystem".

Here at Scania, your business is as important to us, as it is to you.

Our commitment is Customer First, to us that means right part, on time, every time.

Enjoy your copy of Scania parts, and don't forget to contact your local Scania service centre, for your Scania experience.



GRAHAM DALE
HEAD OF PARTS OPERATIONS
SCANIA UK

FILTRATION

Scania filters are expertly designed, rigorously tested and precisely matched to your powertrain and its maintenance plan.

AIR FILTER

SC2341657

A Scania air filter is precisely engineered to the perfect balance between filtering performance, service life and low restriction. That way, you know that your engine will always be protected from particulates, but without taking a hit on performance, fuel economy or uptime.



£63.00*
SAVING OF £15.50

PARTICULATE FILTER

SC0570761



£555.00*
SAVING OF £177.00

OIL FILTER

SC2002705



£29.25*
SAVING OF £11.25

SCR FILTER KIT WITH HOUSING

SC2655853



£79.50*
SAVING OF £19.00

FUEL FILTER

SC1873018



£17.50*

CABIN FILTER

SC2095029



£25.25*
SAVING OF £6.10

MAINTENANCE KITS

SC2531948 SMALL
SC2659252 MEDIUM
SC2659264 LARGE



FROM
£60.00*

AIR DRYER FILTER

SC2562323



£39.75*
SAVING OF £14.25

REPAIRING YOUR VEHICLE THE COST EFFECTIVE AND SUSTAINABLE WAY



INTRODUCING THE SCANIA SERVICE
EXCHANGE PROGRAMME.

KEEPING YOUR SCANIA AT IT'S VERY BEST NEEDN'T COST YOU THE WORLD.

By choosing a Scania Service Exchange part, you can get all the confidence associated with the original Scania part for a reduced price – and do your bit for the environment.

What is this magical Service Exchange programme you speak of? We hear you say.

It forms part of Scania's "Driving the Shift" philosophy, which has a focus on sustainability and eliminating waste. This includes limiting the impact our replacement parts have on our planet.

Sometimes the inevitable happens where worn parts need to be replaced. It may be the case that it is uneconomical to repair or replace it with a brand new Scania part.

That's where Scania's Service Exchange programme comes in.

Giving you access to an industry leading range of remanufactured components, including and not limited to turbochargers, clutches, and rotating electrics, all at an attractive price.

Here's the best bit though. Each part is remanufactured to the same Scania specification and quality as its brand new equivalent part, covered by the same warranties, and will ensure your vehicle is back on the road quickly and economically.

Why not feel good about your new purchase. The worn part from your vehicle, if it's in good enough condition, can be remanufactured into a new Scania service exchange part. Saving the environment from another item heading to landfill.

By choosing Scania Service Exchange Parts, you'll be helping us reduce the impact we have on the environment. This includes using less raw materials and energy, which in turn means less CO₂ emissions produced.

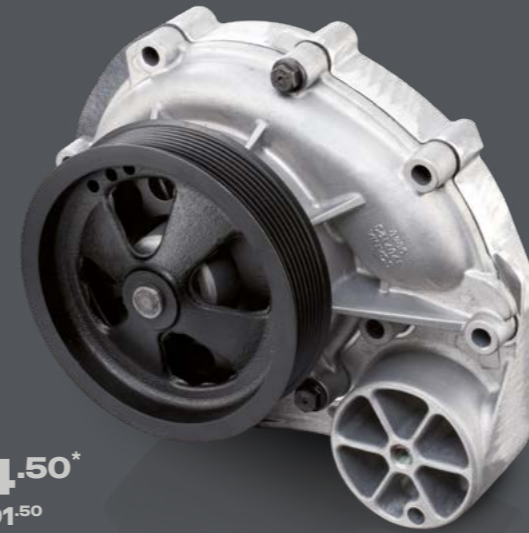
It's the same Scania quality you can count on for an attractive price, and you can make a positive contribution to the environment, when making your purchase.

Scania's Service Exchange Parts – what's not to like?

COOLANT PUMP

SC0575052

We develop and test our pumps in-house to ensure high capacity, reduced wear, and long service life. All from the unique cast iron mix of the casing, the special plastic mixture for the perfectly balanced high-capacity impeller to the large bearing designed for maximised life span.



£244.50*
SAVING OF £91.50

THERMOSTAT

SC2729053



£71.25*
SAVING OF £16.75

POLY-V-BELT

SC1920231



£67.75*
SAVING OF £16.00

IDLER ROLLER

SC2129402



£59.25*
SAVING OF £24.25

BELT TENSIONER

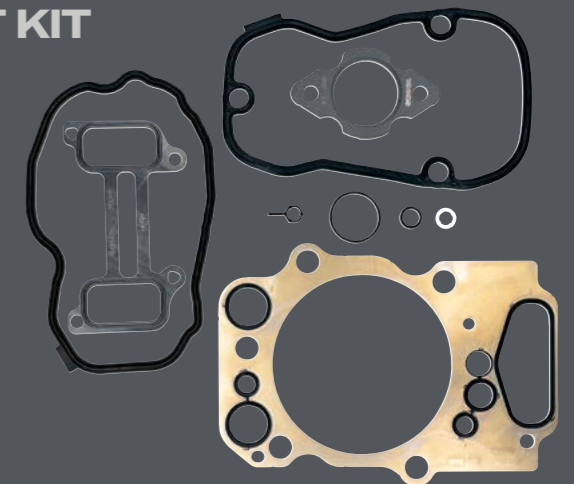
SC2863219



£212.75*
SAVING OF £70.00

GASKET KIT

SC2308201



£71.50*
SAVING OF £16.75

The pretension in the belt circuit is affected by all interacting components, but primarily by the quality of the drive belt and belt tensioner. The drive belt must be of the correct length and rigidity for the belt circuit components to operate optimally and last a long time.

CAN YOU PUT A PRICE ON PEACE OF MIND?

24 MONTH
FITTED PARTS WARRANTY

By buying a Scania vehicle, you are buying peace of mind that it will be reliable, durable, and able to excel with whatever your business throws at it.

We also apply the same philosophy to our parts and service centres too. Every Scania OEM part fitted in a Scania authorised workshop comes with a 24-month fitted parts warranty. Or 730 days, or 17,250 hours, or 1,051,200 minutes of cover for your new part.

However you look at it – one thing is for sure.

Should anything go wrong with the part in that time, we will get it replaced and fix any consequential damage that may have occurred too! Giving you peace of mind that your choice to fit a Scania Genuine part is the right one.

And choosing a Scania OEM part comes with its own benefits. Each one has been designed and rigorously tested to meet our own exacting quality standards.

This means it functions reliably for the entirety of its service life. Which leaves you to focus on your business.

But did you know, should the worst happen that you're backed up by our 84-strong nationwide Scania service centre network and Scania Assist if your part was supplied and or fitted by our service centres? Any one of them can complete the rectification work!

Each one is filled with all the expertise and knowledge to carry out all the necessary repairs quickly and efficiently to get your vehicle back working hard for you once again.

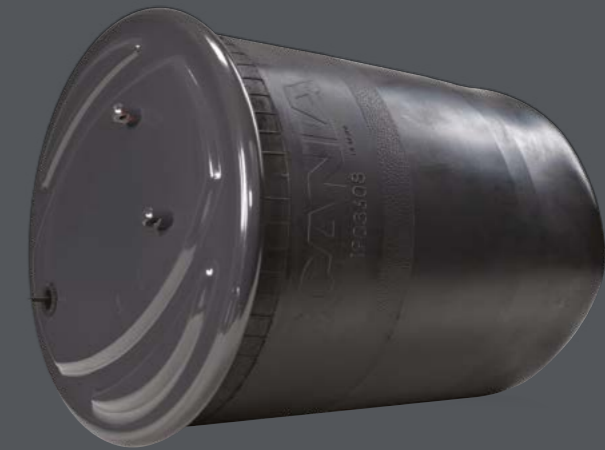
We know your Scania is more than just a vehicle. It's a lifeline for your business – and nobody understands that better than us.

AIR SPRING

SC2729173

Tested for a range of operating conditions, Scania Air Springs are dimensioned to work with Scania's unique kinematics. With emphasis on maintaining function, resulting in maximised service life.

£165.25*
SAVING OF £70.00



BALL JOINT

SC2862743

Ensure maintained control and reduced vibration. Scania ball joints have been developed to minimise vibration and tyre wear. Service life is extended by using an effective seal.

£45.50*
SAVING OF £14.00



FRONT SHOCK ABSORBER

SC1868265



£137.00*
SAVING OF £28.00

TRACK ROD

SC2853196



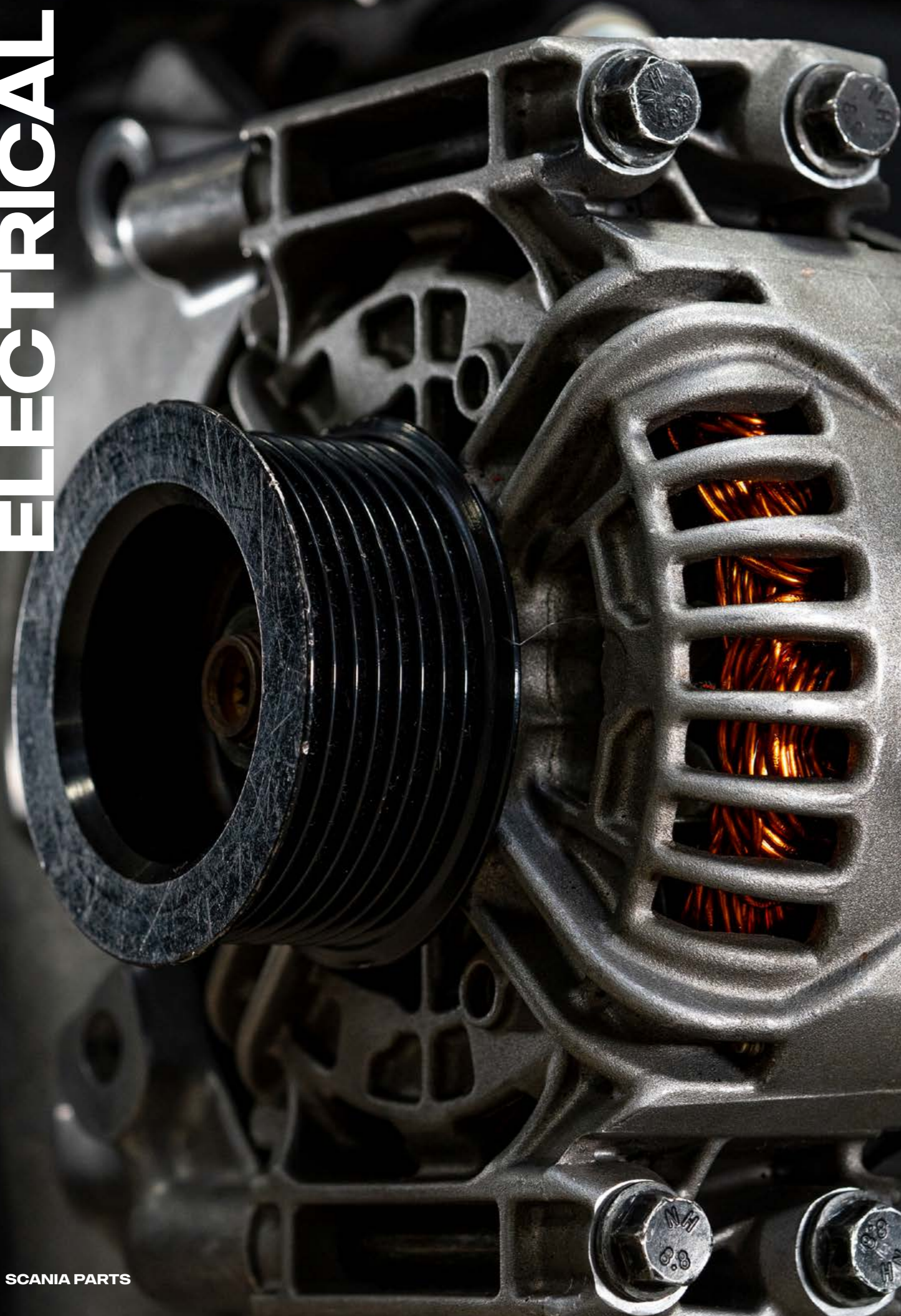
£266.50*
SAVING OF £94.75

KING PIN REPAIR KIT

SC0550284



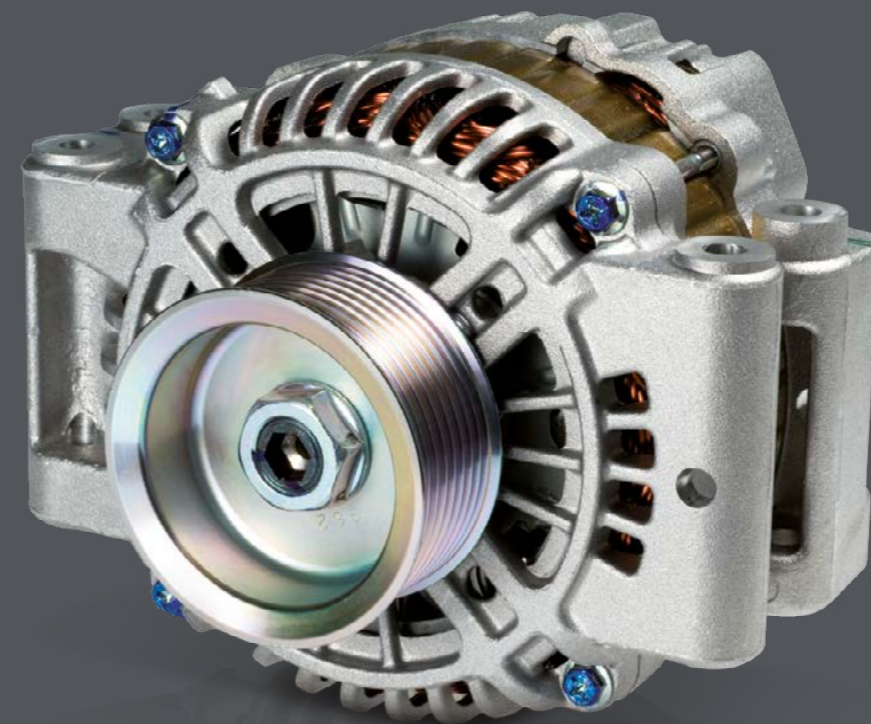
£128.25*
SAVING OF £53.75



ALTERNATOR

SC0570887

Scania alternators have been developed to provide high output and efficiency, as well as to have a long service life. This results in greater uptime and thereby better operating economy.



£362.50*
SAVING OF **£193.50**

NOX SENSOR

SC2294290



£450.00*
SAVING OF **£215.00**

STARTER MOTOR

SC0573548



£400.00*
SAVING OF **£214.00**

ELECTRICAL COIL

SC2111147



£69.00*
SAVING OF **£36.25**

LIGHTING



We understand the vital role that lighting plays for the driver of a truck, bus or coach. So we are constantly developing the range in order to improve performance and durability.

REAR LAMP

SC2380953 LH
 SC2380955 RH
 Lens can be purchased separately.

£182.25*
 SAVING OF £77.00



ROTATING BEACON

SC2264158

When working on the roadside in heavy traffic, or on a construction site close to people, safety is always an issue. Scania halogen rotating beacons are compact, cost effective, and easy to mount, and ensure others can see you while you safely carry out your tasks.

£90.75*



LED SIDE MARKER LAMP

SC2052119



£18.00*
 SAVING OF £4.50

REAR LAMP

SC2129985

Lens can be purchased separately.



£48.50*
 SAVING OF £19.75

LED SIGNAL LAMP

SC2252783



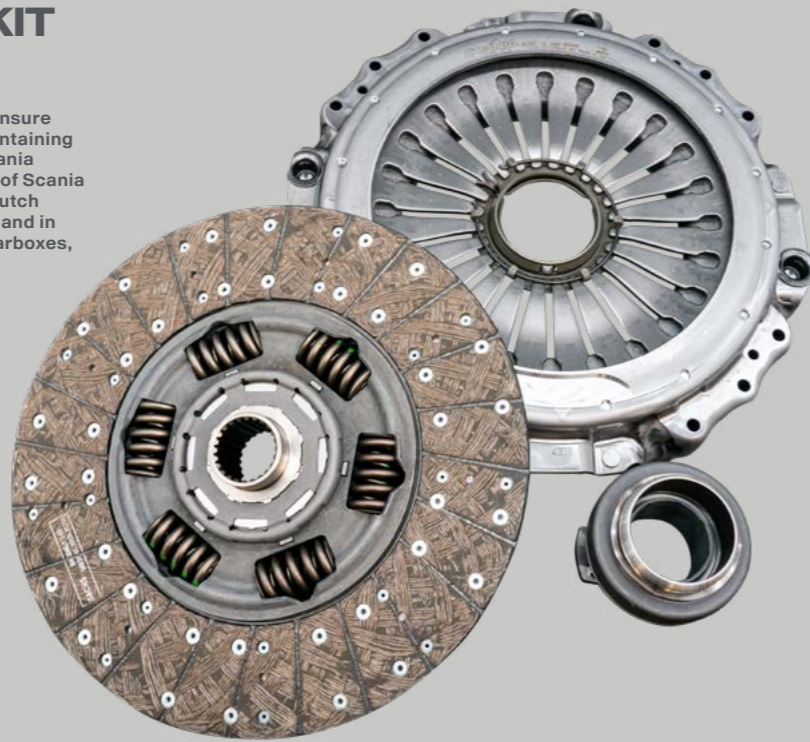
£31.25*
 SAVING OF £8.75



3 PIECE CLUTCH KIT

SC0574989

Only a perfectly adapted clutch system can ensure optimum control of torque transfer while maintaining comfort throughout its entire service life. Scania clutches are adapted for the complete range of Scania vehicle types. The wear surface for Scania clutch linings has been increased from 3.6 to 5 mm, and in combination with the latest generation of gearboxes, this increases their service life by up to 40%.



£594.00*
SAVING OF **£249.00**

SOLENOID VALVE

SC2038655



£112.25*
SAVING OF **£27.75**

BRAKE PAD KIT

SC2325212

The brake system is the most important safety system in a vehicle. Ensure optimal safety in your vehicle with a Scania OE brake pad kit. Our extensive R&D process ensures the Scania brake system is developed for the highest level of safety, quality and comfort.



£99.75*
SAVING OF **£52.25**

ABS CONTROL VALVE

SC1453761

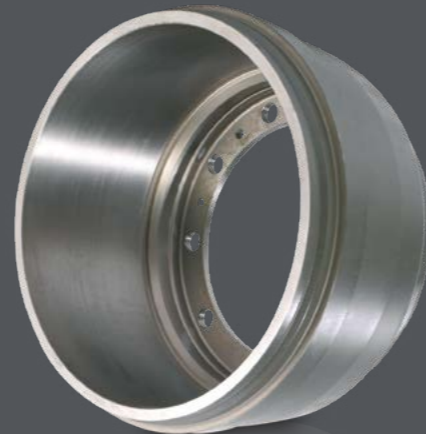


£136.25*
SAVING OF **£72.25**

BRAKE DRUM

SC2378715

Scania brake drums have been developed for minimal wear and to counteract cracking, even in high temperatures.



£122.50*
SAVING OF **£65.25**

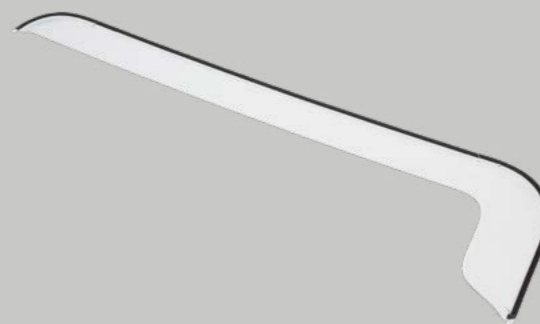


NOTHING BEATS THE GENUINE THING

Cheap copies simply don't cut it. If you want to enjoy the sheer artistry of a Scania, then you need to leave it to the original artist. Using only Scania Parts makes sure you get the very best results and keeps you with a masterpiece.



SCANIA



AIR DEFLECTOR

SC2617531 LH
SC2617532 RH

Driving with an open window is pleasant, but sometimes noisy. Wind deflectors reduce both loudness and air flow, maintaining a comfortable driving experience.

This range also includes a smart drip strip above the door preventing water on the roof from entering the cab when the door is opened.

£58.00*

AIR HORN

SC2291089



£61.75*

COMPRESSED AIR GUN

SC2333552



£33.75*

HUBCAP WITH SCANIA LOGO

SC1786571

Ride with style, the shoes on your feet say a lot about who you are. If you are serious about adding shine and style to your wheels, Scania's rims, wheel covers, liners and trims are guaranteed to give impact to your statement. Stainless steel hub cap with Scania logo suitable for 22.5-inch wheels, non-driving axle.
*Sold in pairs, price shown is for one.

£54.50*



SMOKE DETECTOR

SC1865071



£68.25*

MIRROR GLASS

SC2116848 LH
SC2116849 RH



£29.25*
SAVING OF £5.25

RUBBER MAT

SC2489376 LH
SC2489377 RH



£34.25*

WIPER BLADE KIT

SC2908939

Adapted for different climates Scania wiper blades use advanced rubber technology to provide the best possible performance.



£26.50*
SAVING OF £10.00

MUDFLAP

SC1947557 270MM HIGH
SC1947558 330MM HIGH



FROM
£15.95*

COFFEE MAKER

SC2970600



£227.50*



24 MONTH
FITTED PARTS
WARRANTY

MIXED FLEET SOLUTIONS.

DID YOU KNOW WE FIT ALL MAKES TRUCK AND TRAILER PARTS TOO?

Scan the QR code to learn more.





IF IT'S NOT A GENUINE SCANIA PART, IT'S NOT A GENUINE SCANIA

Don't allow your Scania to become something it wasn't painstakingly designed and engineered to be. Use only genuine Scania Parts to keep it running like a Scania and feeling like a Scania. Don't fall for imitations.

SPAMIA

SCANIA



SCANIA
PARTS

BUY YOUR GENUINE SCANIA PARTS TODAY

FIND A SCANIA SERVICE CENTRE

Go to scania.co.uk to find your nearest Scania Service Centre
or call 0845 034 3034 to find out how we can support your business.

CONTACT YOUR LOCAL SERVICE CENTRE TODAY

