

THE  
**TRAILER  
COMPONENTS**  
CATALOGUE

**VRS**

VEHICLE RELATED  
SERVICES





Foreword:

VRS (Vehicle Related Services) is a comprehensive range of all-make trailer parts and workshop consumables. Developed by Scania, it's available through the UK dealer network, complementing the existing Scania parts programme.

VRS offers an extensive range of parts for all makes of trailers, tail lifts and bodies, and a market-leading selection of consumables and workshop tooling. All products are OE and OE quality ensuring the best for your vehicle. The entire range of VRS products can be found and easily identified in our quick reference catalogues.

By offering a comprehensive range in one place means you can reduce your supplier base and associated costs. After all different suppliers mean different admin systems – which means extra cost and hassle for you.

Once you have identified the part(s) you require, simply call, email or visit your local Scania dealer. You'll find your local branch on the following pages. Each has a broad range of parts and consumables in stock, and any not immediately available will, in the vast majority of cases, be available next day through the Scania parts express delivery system.

Only the best will do when it comes to your truck and trailer. Poor quality parts wear out faster and provide inferior performance, which can increase downtime. VRS products help eliminate that concern. From trailer suspension and axles, to loading ramps and workshop consumables, VRS products are an extension of our existing range of Scania genuine parts.

We choose only products that meet our stringent standards of both quality and durability, and back them all with standard Scania warranty terms and conditions.

Whether you carry out your own fleet maintenance, or it's conducted by your local Scania dealer, the VRS programme can save you time and money, maximising the uptime of your fleet whilst reducing the overall cost of your operation. The range is constantly being expanded, so you will always find what you need.

VRS is just one of many programmes that Scania offer to support your business. Your local dealer is your one-stop partner for your transport solutions. Under one roof you will find professionals who can help you choose the best truck, arrange financing, tailor maintenance packages to your requirements, schedule repairs around your needs, assist you in an emergency situation, and supply your parts and accessories – quickly and easily. Everything you need to keep you moving and earning.

## **Key Benefits of VRS**

- **A comprehensive and modern range of all makes trailer parts, workshop consumables and tools for a complete parts solution.**
- **High quality parts as standard, at attractive, value for money prices.**
- **One stop shop: no time consuming multi supplier search – everything for trailer and workshop through your local Scania dealer.**
- **Off the shelf availability through an international dealer network for same day and next day delivery.**
- **Quality parts that meet the demands of maximum fleet uptime.**
- **Well documented, easy to use parts catalogues.**
- **Skilled, fully trained parts staff to identify and supply the right part first time, on time.**
- **Full Scania international uptime on all parts – complete peace of mind for national and international operators.**
- **Full Scania warranty.**
- **Customer delivery service.**

# With a dealer network throughout the UK, you know we've got you covered...

Aberdeen Scania	Scotland	01224 806312	Droitwich	Keltruck Ltd	01905 777060
Bellshill Scania	Scotland	01698 841094	Groby	Keltruck Ltd	01530 243133
Dumfries Scania	Scotland	01387 250502	Lutterworth	Keltruck Ltd	01455 550740
Dundee Scania	Scotland	01382 455558	Newark	Keltruck Ltd	01636 700203
Edinburgh Scania	Scotland	0131 333 2362	Nottingham	Keltruck Ltd	0115 986 5121
Glasgow Scania	Scotland	0141 886 5633	Ross-On-Wye	Keltruck Ltd	01600 891257
Grangemouth Scania	Scotland	01324 620620	Rugby	Keltruck Ltd	01788 571959
Inverness Scania	Scotland	01463 729400	Sutton-In-Ashfield	Keltruck Ltd	01623 559559
Larne	Road Trucks Ltd	028 2827 9611	Tamworth	Keltruck Ltd	01827 330100
Newry	Granco	028 3026 6335	West Bromwich	Keltruck Ltd	0121 525 7000
Omagh	Road Trucks Ltd	028 8225 9198	Willenhall	Keltruck Ltd	01902 637777
Darlington Scania	North	01325 480713	Workop	Keltruck Ltd	01909 500595
Leeds Scania	North	01132 311411	Bedford	Pip Bayley Truck Centre	01767 641111
Newcastle-Upon-Tyne Scania	North	0191 256 1900	Corby	TruckEast Ltd	01536 443883
Normanton Scania	North	01924 228800	Crick	TruckEast Ltd	01788 823930
Skipton Scania	North	01756 797197	Ely	TruckEast Ltd	01353 666503
Thirsk Scania	North	01845 573500	Felixstowe	TruckEast Ltd	01394 676625
Washington Scania	North	01914 188500	Kings Lynn	TruckEast Ltd	01553 771877
Carlisle	Graham Commercials Ltd	01228 529149	Milton Keynes	TruckEast Ltd	01908 242448
Lancaster	S. J. Bargh Sales and Service Ltd	01524 770439	Northampton	TruckEast Ltd	01604 874747
Boston Scania	East	01205 460841	Norwich	M & K Commercials	01603 748995
Grimsby Scania	East	01472 346913	Peterborough	TruckEast Ltd	01733 555233
Hull Scania	East	01482 626880	Stowmarket	TruckEast Ltd	01449 613553
Lincoln Scania	East	01522 681222	Thetford	TruckEast Ltd	01842 763400
Scunthorpe Scania	East	01724 289088	Wellingborough	TruckEast Ltd	01933 303303
Sheffield Scania	East	01142 626700	Witham	TruckEast Ltd	01376 503003
Spalding Scania	East	01775 713707	Dover Scania	South East	01304 831730
Deeside	Deeside Truck Services	01244 547202	Heathrow Scania	South East	01784 240777
Ellesmere Port	Haydock Commercial Vehicles Ltd	0151 355 0199	Lewes Scania	South East	01273 479123
Halebank	Haydock Commercial Vehicles Ltd	0151 423 8601	Lingfield Scania	South East	01342 837373
Haydock	Haydock Commercial Vehicles Ltd	01942 714103	Purfleet Scania	South East	01708 257400
Preston	Haydock Commercial Vehicles Ltd	01772 898811	Sittingbourne Scania	South East	01795 430304
Knighton	West Pennine Trucks Ltd	01547 528600	South Mimms Scania	South East	01707 649955
Middleton	West Pennine Trucks Ltd	0161 653 9700	Stansted Scania	South East	01279 758088
Oswestry	West Pennine Trucks Ltd	01691 671500	Abingdon Scania	South West	01235 553596
Stoke-On-Trent	West Pennine Trucks Ltd	01782 577955	Avonmouth Scania	South West	01179 379800
Telford	West Pennine Trucks Ltd	01952 587222	Banbury Scania	South West	01295 272857
Trafford Park	West Pennine Trucks Ltd	0161 877 7708	Bridgwater Scania	South West	01278 685060
Burton-On-Trent	Keltruck Ltd	01283 510011	Exeter Scania	South West	01392 824474
Caldicot	Keltruck Ltd	01291 431715	Fareham Scania	South West	01489 886800
Cardiff	Keltruck Ltd	02920 224671	Newbury Scania	South West	01635 871157
Cheltenham	Keltruck Ltd	01242 252140	Poole Scania	South West	01202 533979
Coventry	Keltruck Ltd	02476 644664	Redruth Scania	South West	01209 310090
Cross Hands	Keltruck Ltd	01269 844855	Shepton Mallet Scania	South West	01749 880088
			Southampton Scania	South West	02380 734455
			Swindon Scania	South West	01793 715100

# VRS

VEHICLE RELATED SERVICES







**A-Z**

**AXLE & SUSPENSION**

**AIR BRAKE**

**ELECTRICAL**

**CHASSIS**

**GENERAL**

**TANKER**

Description	Page No.	Description	Page No.
<b>A</b>			
A Frames	2.59	Trailing Arms & Catch Plates	1.28
ABS Coils	3.3 - 3.4	Wheel Studs	1.26
ADR Marker Board	5.7 - 5.8	Brake Calipers	1.162 - 1.164
Air Brake Fittings	2.7 - 2.20	Brake Chambers	2.55 - 2.57
Air Brake Sealant	2.4	Brake Discs	1.171
Air Coils	2.5 - 2.6	Brake Drums	1.176
Air Hose - Rubber	2.4	Brake Pads	1.165 - 1.170
Air Line Couplings	2.2 - 2.3	Brake Shoes	1.172 - 1.175
Air Reservoirs	2.53 - 2.54	Bulbs	3.56 - 3.58
Air Springs	1.178 - 1.182	<b>C</b>	
Anti Luce Fasteners	5.14	C & CA Couplings	2.2 - 2.3
Aspoeck Components	3.27 - 3.40	Cargo Straps	5.20 - 5.21
Cables	3.39 - 3.40	COBO Equipment	6.2 - 6.11
Junction Box	3.39	Air Filter Regulator	6.7
LED Bulbs & Pods	3.34	Air Spring Mounting Bracket	6.10
Marker Lamps Amber	3.36 - 3.37	Air Tank	6.7
Marker Lamps Red	3.38	API Guard Bar Brackets	6.5 - 6.6
Marker Lamps Stalk	3.35	API Valves	6.4 - 6.5
Marker Lamps White	3.37 - 3.38	Ball Valve	6.10
Number Plate Holders	3.39	Bottom Sockets (Liberty)	6.3
Number Plate Lamps	3.38 - 3.39	Bumpers	6.9
Rear Lamps	3.27 - 3.34	Cargo Pump	6.10
Wiring Harness	3.39 - 3.40	Control Box Key	6.11
Autolube Plates	4.9	Control Box Lock	6.11
<b>B</b>		Dip Tubes	6.2
BPW Components	1.2 - 1.29	Earth Tank Strap	6.7
ABS Sensors	1.26	Emergency Stop Valves	6.4
Air Springs	1.28	Foot Valves	6.6 - 6.7
Brake Chambers	1.27	Gas Struts	6.6
Brake Discs	1.23	Guard Bar Interlock Valves	6.5
Brake Drums	1.26	In Line Filter	6.10
Brake Pads	1.22	Landing Legs	6.10
Calipers	1.22	Liberty Equipment	6.3 - 6.4
Camshaft Kits	1.18	Manlids	6.2
Camshafts	1.19 - 1.20	Mudwing Equipments	6.8 - 6.9
Catch Straps	1.29	Optic Probes (Liberty)	6.4
Drum Brake Assemblies	1.12 - 1.17	Pownall Valve	6.7
Dust Covers	1.24 - 1.25	Rear Lamp Mounts	6.9 - 6.10
ECO Plus 2 Spanners	1.18	Shuttle Valves	6.7
Grease Bearing Applicator	1.21	Sight Glass	6.10
Hub Assemblies - Complete	1.21	Tool Boxes	6.11
Hub Assemblies - Spares	1.5 - 1.11	Vapour Recovery Valves	6.3
Hub Grease	1.21	Coils - Electrical	3.3 - 3.4
Hubodometer Caps	1.18	Conspicuity Tape	5.3
ID Plates	1.3 - 1.4	Coupling C Lock	2.3
Shock Absorbers	1.29	Curtain Ratchets	5.22
Slack Adjusters	1.18	Curtain Straps	5.20 - 5.21
Steering Lock Block	1.27	<b>D</b>	
Trailing Arm Bushes	1.27	Daimler Components	1.148 - 1.161
		Air Springs	1.157

Description	Page No.	Description	Page No.
Brake Assembly Parts TDB0571	1.152	Pressure Vent Valve	6.15
Brake Assembly Parts TDB0637	1.153	Printer & Battery Console	6.14
Brake Assembly Parts TDB0815	1.154	PTO Switch	6.13
Brake Chambers	1.155	Remote Cut Off	6.13
DCA Mid Lift	1.161	SDS Battery	6.14
DCA Twin Lift	1.158 - 1.159	SDS Key Pad Console	6.14
DCA Twin Lift Rocker	1.160	SDS Printer	6.14
Hub Assembly Parts (Offset Hub TE)	1.150	Sequential Vent Valves	6.15
Hub Assembly Parts (Standard Hub TZ)	1.151	Shear Couplings	6.17
ID Plates	1.149	Sight Glasses	6.17
Suspension Assembly Parts	1.156	Smart Vents	6.15
Tooling	1.155	Vapour Recovery Hoses	6.15
<b>Document Holders</b>	<b>5.25</b>	Vapour Recovery Valves	6.16
<b>Dog Clip &amp; Chain</b>	<b>5.12</b>	Visiwinks	6.13 - 6.14
<b>Door Hinges</b>	<b>5.19</b>	<b>Glove Park</b>	<b>5.25</b>
<b>Door Locks</b>	<b>5.19</b>	<b>Grade Product Indicators</b>	<b>6.18</b>
<b>Door Retainers</b>	<b>5.19</b>	<b>H</b>	
<b>Drain Taps</b>	<b>2.18</b>	<b>Haacon Landing Legs</b>	<b>4.5</b>
<b>Drum - See Gardner Denver</b>		<b>Haldex Components</b>	<b>2.40 - 2.52</b>
<b>E</b>		ABS Sensors	2.44
<b>EBS Coils</b>	<b>3.3 - 3.4</b>	Cables	2.43 - 2.44
<b>Electrical Coils</b>	<b>3.3 - 3.4</b>	Check Valves	2.50
<b>Electrical Plugs</b>	<b>3.2</b>	Control Cylinders	2.50
<b>Electrical Sockets</b>	<b>3.2</b>	Diagnostic Kits	2.42
<b>Emco Wheaton - See Gardner Denver</b>		EB+ EBS Kit	2.40 - 2.42
<b>Euro Booms</b>	<b>2.59</b>	ECUs	2.40 - 2.42
<b>F</b>		GEN 3 Retrofit Kits	2.42
<b>Fifth Wheel Handles</b>	<b>4.9</b>	Info Centre	2.43
<b>Fifth Wheel Jaw Kits</b>	<b>4.8</b>	In-line Filters	2.50
<b>Fire Extinguisher Boxes</b>	<b>5.23 - 5.24</b>	Levelling Valves	2.48
<b>Fire Extinguishers</b>	<b>5.23</b>	Lift Axle Valves	2.51
<b>Flexi Sticks</b>	<b>2.4</b>	Linkage Kits	2.48
<b>G</b>		Load Sensing Valves	2.49
<b>Gardner Denver Equipment</b>	<b>6.13 - 6.17</b>	MCER Valves	2.47
Air Service Unit	6.13	Modulator Valves	2.47
API Valves	6.16	Modulators	2.40 - 2.42
Control Cabinets	6.13	Park Valves	2.45
Control Cabinets Valves	6.13	Power Cable	2.44
Dip Tube Interlock	6.15 - 6.16	Pressure Limiting Valves	2.49
Dip Tubes	6.15	Pressure Protection Valves	2.52
Emergency Stop Valve	6.13	Pressure Switch Kits	2.46
Footvalves	6.17	Quick Release Valves	2.49 - 2.50
Guard Bar Interlock	6.16	Raise Lower Valves	2.51
Hydrapak 3 Oil Filter	6.17	Regulating Valves	2.49 - 2.50
Hydraulic Flow Control Valve	6.17	Relay Emergency Valves	2.49
In Line Filters	6.17	Relay Valves	2.49
Manifold Valves	6.17	Sensor Extension Cable	2.43
Manlids	6.14 - 6.15	Shunt Valves	2.45 - 2.46
Oil & Antifreeze Lubricant	6.14	Shut Off Valves	2.50
Pressure Gauges	6.14	Sockets	2.46

Description	Page No.	Description	Page No.
Trailer Control Modules	2.45	Power Cables	2.27
Trailer Control Valves	2.49	Pressure Protection Valves	2.29
Trailer Emergency Modules	2.45	Quick Release Valves	2.24
Wiring Looms	2.43	Raise/Lower Valves	2.30
<b>Hand Brake Cable</b>	5.14	Relay Emergency Valve	2.29
<b>Hand Brakes</b>	5.14	Relay Valve	2.29
<b>Hazchem Board</b>	5.7 - 5.8	Shunt Valves	2.28
<b>Height Indicators</b>	5.11	Stop Light Switches	2.31
<b>Hella Components</b>	3.41 - 3.48	TIM Unit	2.30
Cables	3.47 - 3.48	Trailer Brake Modules	2.21 - 2.22
Fog Lamps	3.45	Trailer Control Valves	2.30
Interior Lamp	3.47	<b>L</b>	
Junction Box	3.47	<b>Liberty - See Cobo</b>	
LED Pods	3.44	<b>License Holders</b>	5.11
Marker Lamps Amber	3.45 - 3.46	<b>M</b>	
Marker Lamps Red	3.46 - 3.47	<b>Marker Boards</b>	5.4 - 5.9
Marker Lamps White	3.46	<b>Meritor Components</b>	1.30 - 1.98
Number Plate Lamps	3.45	Axle Lift Parts	1.72
Power Cable	3.47 - 3.48	Brake Chambers	1.69
Rear Lamps	3.41 - 3.45	Brake Discs	1.68
Reverse Lamp	3.45	Brake Pads	1.68
Stalk Lamps	3.44	Calipers	1.68
Work lamp	3.47	Camshafts	1.70 - 1.71
<b>Hose Strap</b>	6.7	Dual Cradle Lift Parts	1.72
<b>Hose Tails</b>	2.18	ID Plates	1.31
<b>Hubodometers</b>	1.184	LM & LC Axles	1.47 - 1.55
<b>I</b>		Suspension CS9I Low Mount	1.97 - 1.98
<b>Industrial Air Line Fittings</b>	2.19 - 2.20	Suspension FL11000, FL11000L	1.89 - 1.90
<b>Internal Load Straps</b>	5.20 - 5.21	Suspension FL11000/150, FL11000D	1.91 - 1.92
<b>J</b>		Suspension FL11000B, FL11000LB	1.93 - 1.94
<b>Jost Landing Legs</b>	4.3 - 4.4	Suspension FL11000CT	1.95 - 1.96
<b>K</b>		Suspension FL9000, FL9000H	1.77 - 1.78
<b>King Pins</b>	4.7	Suspension FL9000HLL	1.83 - 1.84
<b>Knorr Bremse Components</b>	2.21 - 2.31	Suspension FL9000L, FL9000HL	1.79 - 1.80
3/2 Way Control Valves	2.23	Suspension FL9000M	1.85 - 1.86
ABS Modulator Valve	2.31	Suspension FL9000NB	1.75 - 1.76
ABS Sensor Extension Cables	2.27	Suspension FP11000	1.87 - 1.88
Charging Valves	2.26	Suspension XL9000, XL9000H	1.73 - 1.74
Cables	2.27	Suspension XL9000L, XL9000HL	1.81 - 1.82
Check Valves	2.24	TA & TC Axles	1.60 - 1.67
Control Valves	2.30	TE Axles	1.56 - 1.59
D 2 Governors	2.31	TM Axles	1.32 - 1.46
Height Limiting Valves	2.30	<b>Mud Flaps</b>	5.32
In Line Filters	2.28	<b>Mudwings - Boydell &amp; Jacks</b>	5.26 - 5.27
Levelling Valves	2.25 - 2.26	<b>Mudwings - Jonesco</b>	5.29 - 5.32
Lift Axle Control Valves	2.23	<b>Mudwings - Parlok</b>	5.28
Linkage Kits	2.26	<b>Mudwings Brackets</b>	5.33 - 5.34
Load Sensing Valves	2.31	<b>Mudwings Stays</b>	5.33 - 5.34
Low Pressure Indicators	2.31	<b>N</b>	
Park Valves	2.28	<b>N Type Coils</b>	3.3 - 3.4

Description	Page No.	Description	Page No.
Norgren Push-In Fittings	2.9 - 2.10	Axle Type BI9	1.122
Nose Boxes	2.59	Axle Type RB with Integral Hub	1.118
Number Plate Holders	5.12	Axle Type RB with Standard Hub	1.117
Nylon Tubing	2.4	Axle Type RS & RZ	1.119 - 1.120
<b>P</b>		Axle Type RSM8442 & RSM11242	1.107 - 1.108
Palm Couplings	2.4	Axle Type RSM9042 & RSM9042/20	1.103 - 1.104
Pipe Cutters	2.4	Axle Type S94218 & Z94218	1.115 - 1.116
Plugs - Electrical	3.2 - 3.3	Axle Type SI9, SI11, ZI9 & ZI11	1.123
Pressure Vent Valves	6.15	Axle Type SKRS9042, 9042/20, 11242	1.105 - 1.106
<b>R</b>		Axle Type WRZM8130, 8435, 11030, 11035	1.109 - 1.110
Ratchet Straps	5.20 - 5.21	Axle Type Z93020 & Z113020	1.111 - 1.112
Ratchets - Curtain	5.22	Axle Type Z93720, S93720, Z113720, S113720	1.113 - 1.114
Raufoss Fittings	2.11 - 2.13	Ball Joints	1.125
Raufoss New Line Fittings	2.7 - 2.9	Brake Calipers	1.124
Reflective Equipment	5.2 - 5.3	Brake Chamber Extension	1.125
Reflectors	5.2	Brake Chambers	1.125
Reverse Alarms	3.59	Brake Pads	1.124
Road Cone	5.2	Camshafts	1.128
Roller Shutter Door	5.15 - 5.18	Catch Straps	1.146
Rope Hooks	5.14	Dust Covers	1.126
Rubber Air Hose	2.4	EP2	1.125
Rubber Buffers	5.13 - 5.14	Guide Seal Kit	1.124
Rubber Coupling Grips	2.4	Hub Caps	1.129 - 1.130
Rubbolite Components	3.5 - 3.26	Hub Nut Spanner	1.130
Beacons	3.24	Hubodometers	1.130
Bulb Holder	3.25	ID Plates	1.101 - 1.102
Fog Lamps	3.23	Intradisc Plus IU & IO Suspension	1.141 - 1.142
Interior Lamp	3.24	Intradisc PO & PU Suspension	1.143 - 1.144
Junction Boxes	3.26	King Pin Repair Kit	1.125
Load Resistors	3.24	Modular M Suspension Assembly	1.133 - 1.134
Marker Lamps Amber	3.15 - 3.16	Modular U Suspension Assembly	1.131 - 1.132
Marker Lamps Green	3.21	Renolit Paste	1.125
Marker Lamps Red	3.17 - 3.18	Shock Absorbers	1.147
Marker Lamps Stalk	3.22	Slack Adjusters	1.128
Marker Lamps White	3.18 - 3.20	Stabilizing Assembly	1.125
Number Plate Holders	3.24	Trailing Arms	1.146
Number Plate Lamps	3.24	U Bolt Kits	1.146
Rear Lamps	3.5 - 3.14	Wheel Bolts & Studs	1.127
Reverse Alarms	3.26	<b>Scully Equipment</b>	6.12
Reverse Lamps	3.23 - 3.24	Electronic Dummy	6.12
Work Lamps	3.23	Interlock Switch	6.12
<b>S</b>		Pressure Switch	6.12
<b>S Type Coils</b>	3.3 - 3.4	Probes	6.12
<b>SAF Components</b>	1.100 - 1.147	Sockets	6.12
Air Locking Cylinder	1.125	Wiring Loom	6.12
Air Springs	1.145	<b>Security Straps</b>	5.19
AR413 Suspension Assembly	1.135 - 1.136	<b>Service Line Test Gauge</b>	2.4
AR414 Suspension Assembly	1.137 - 1.138	<b>Shock Absorbers</b>	1.177
AR416 Suspension Assembly	1.139 - 1.140	<b>Shut off Taps</b>	2.18
Axle Type B9	1.121	<b>Side Guards</b>	4.2

Description	Page No.	Description	Page No.
Slack Adjusters	2.58	Park Release Emergency Valve	2.36
Sockets - Electrical	3.2 - 3.3	Park Valves	2.36
Spill Kit Boxes	5.24	Pneumatic Extension Module	2.32
Spill Kits	5.24	Power Cables	2.34
<b>T</b>		Pressure Limiting Valves	2.38
Test Points	2.18	Pressure Sensor	2.35
TIM Unit	6.7	Quick Release Valves	2.36
Tool Boxes	5.25	Raise & Lower Valves	2.36
Tricode System	5.7 - 5.8	Relay Emergency Valves	2.39
Trucklite Components	3.49 - 3.54	Relay Valves	2.39
Marker Lamps Amber	3.52 - 3.54	Shunt Valves	2.36
Anti-corrosion Compound	3.52	Silencers	2.38
Interior Lights	3.55	Smart Board	2.33
Marker Lamps Green	3.52 - 3.54	Warning Triangle	5.2
Marker Lamps Red	3.52 - 3.54	Wheel Chocks	5.10
Marker Lamps White	3.52 - 3.54	Wheel Nut Indicators	1.183
Number Plate Lamps	3.52	WIRA Fittings	2.13 - 2.18
Plugs & Leads	3.52	Wire Rope Grips	5.14
Rear Lamps	3.49 - 3.51		
Tubing Nylon	2.4		
Twist locks	4.6		
<b>U</b>			
Unicoils	2.6		
<b>V</b>			
VBG Couplings	4.10 - 4.24		
Voss 232 & 240	2.1		
<b>W</b>			
Wabco Components	2.32 - 2.39		
3/2 Directional Control Valve	2.36		
3/2 Way Pilot Control Valve	2.36		
ABS Relay Modulators	2.32		
ABS Sensor Extension Cables	2.34		
ABS Sensors	2.33		
Cables	2.34		
Charging Valves	2.35		
Check Valve	2.35		
Distance Sensors	2.38		
EBS Axle Modulators	2.33		
EBS Relay Valve	2.33		
EBS Sensor Extension Cables	2.34		
EBS Trailer Control Valve	2.39		
ECAS Solenoid Valves	2.35		
ECUs	2.32		
Height Sensors	2.38		
In Line Filter	2.36		
Levelling Valves	2.37		
Lift Axle Control Valve	2.36		
Linkage Kits	2.37		
Load Sensing Relay Emergency Valves	2.38		
Modulators	2.32		

# Notes

Notes:

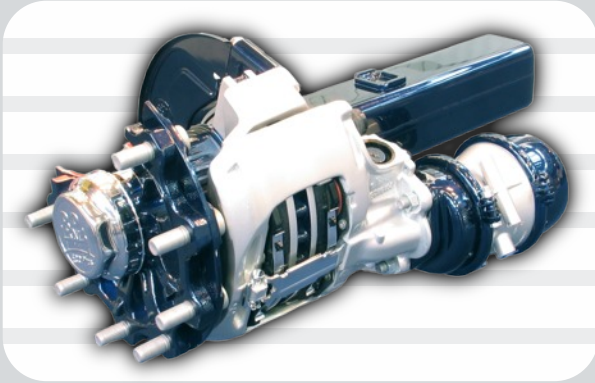
# AXLE & SUSPENSION

Description	Page No.	Description	Page No.
<b>Air Springs</b>	<b>1.178 - 1.182</b>	Suspension FL11000B, FL11000LB	<b>1.93 - 1.94</b>
<b>BPW Components</b>		Suspension FL11000CT	<b>1.95 - 1.96</b>
ABS Sensors	<b>1.26</b>	Suspension FL9000, FL9000H	<b>1.77 - 1.78</b>
Air Springs	<b>1.28</b>	Suspension FL9000HLL	<b>1.83 - 1.84</b>
Brake Chambers	<b>1.27</b>	Suspension FL9000L, FL9000HL	<b>1.79 - 1.80</b>
Brake Discs	<b>1.23</b>	Suspension FL9000M	<b>1.85 - 1.86</b>
Brake Drums	<b>1.26</b>	Suspension FL9000NB	<b>1.75 - 1.76</b>
Brake Pads	<b>1.22</b>	Suspension FP11000	<b>1.87 - 1.88</b>
Calipers	<b>1.22</b>	Suspension XL9000, XL9000H	<b>1.73 - 1.74</b>
Camshaft Kits	<b>1.18</b>	Suspension XL9000L, XL9000HL	<b>1.81 - 1.82</b>
Camshafts	<b>1.19 - 1.20</b>	TA & TC Axles	<b>1.60 - 1.67</b>
Catch Straps	<b>1.29</b>	TE Axles	<b>1.56 - 1.59</b>
Drum Brake Assemblies	<b>1.12 - 1.17</b>	TM Axles	<b>1.32 - 1.46</b>
Dust Covers	<b>1.24 - 1.25</b>	<b>SAF</b>	
ECO Plus 2 Spanners	<b>1.18</b>	Air Locking Cylinder	<b>1.125</b>
Grease Bearing Applicator	<b>1.21</b>	Air Springs	<b>1.145</b>
Hub Assemblies - Complete	<b>1.21</b>	AR Suspension	<b>1.135 - 1.140</b>
Hub Assemblies - Spares	<b>1.5 - 1.11</b>	Axle Type B9	<b>1.121</b>
Hub Grease	<b>1.21</b>	Axle Type BI9	<b>1.122</b>
Hubodometer Caps	<b>1.18</b>	Axle Type RB with Integral Hub	<b>1.117 - 118</b>
ID Plates	<b>1.3 - 1.4</b>	Axle Type RS & RZ	<b>1.119 - 1.120</b>
Shock Absorbers	<b>1.29</b>	Axle Type RSM8442 & RSM11242	<b>1.107 - 1.108</b>
Slack Adjusters	<b>1.18</b>	Axle Type RSM9042 & RSM9042/20	<b>1.103 - 1.104</b>
Steering Lock Block	<b>1.27</b>	Axle Type S94218 & Z94218	<b>1.115 - 1.116</b>
Trailing Arm Bushes	<b>1.27</b>	Axle Type SI9, SI11, ZI9 & ZI11	<b>1.123</b>
Trailing Arms & Catch Plates	<b>1.28</b>	Axle Type SKRS9042, 9042/20 & 11242	<b>1.105 - 1.106</b>
Wheel Studs	<b>1.26</b>	Axle Type WRZM8130, 8435, 11030 & 11035	<b>1.109 - 1.110</b>
<b>Brake Calipers</b>	<b>1.162 - 1.164</b>	Axle Type Z93020 & Z113020	<b>1.111 - 1.112</b>
<b>Brake Discs</b>	<b>1.171</b>	Axle Type Z93720, S93720, Z113720 & S113720	<b>1.113 - 1.114</b>
<b>Brake Drums</b>	<b>1.176</b>	Ball Joints	<b>1.125</b>
<b>Brake Pads</b>	<b>1.165 - 1.170</b>	Brake Calipers	<b>1.124</b>
<b>Brake Shoes</b>	<b>1.172 - 1.175</b>	Brake Chambers	<b>1.125</b>
<b>Daimler</b>		Brake Pads	<b>1.124</b>
Brake Assembly	<b>1.152 - 154</b>	Camshafts	<b>1.128</b>
Brake Chambers	<b>1.155</b>	Catch Straps	<b>1.146</b>
Hub Assembly Parts (Offset Hub TE)	<b>1.150</b>	Dust Covers	<b>1.126</b>
Hub Assembly Parts (Standard Hub TZ)	<b>1.151</b>	EP2	<b>1.125</b>
ID Plates	<b>1.149</b>	Guide Seal Kit	<b>1.124</b>
Suspension Assembly Parts	<b>1.156 - 161</b>	Hub Caps	<b>1.129 - 1.130</b>
Tooling	<b>1.155</b>	Hub Nut Spanner	<b>1.130</b>
<b>Hubodometers</b>	<b>1.184</b>	Hubodometers	<b>1.130</b>
<b>Meritor</b>		ID Plates	<b>1.101 - 1.102</b>
Axle Lift Parts	<b>1.72</b>	Intradisc Plus IU & IO Suspension	<b>1.141 - 1.142</b>
Brake Chambers	<b>1.69</b>	Intradisc PO & PU Suspension	<b>1.143 - 1.144</b>
Brake Discs	<b>1.68</b>	King Pin Repair Kit	<b>1.125</b>
Brake Pads	<b>1.68</b>	Modular M Suspension	<b>1.133 - 1.134</b>
Calipers	<b>1.68</b>	Modular U Suspension	<b>1.131 - 1.132</b>
Camshafts	<b>1.70 - 1.71</b>	Shock Absorbers	<b>1.147</b>
Dual Cradle Lift Parts	<b>1.72</b>	Slack Adjusters	<b>1.128</b>
ID Plates	<b>1.31</b>	Stabilizing Assembly	<b>1.125</b>
LM & LC Axles	<b>1.47 - 1.55</b>	Trailing Arms & U Bolt Kits	<b>1.146</b>
Suspension CS9I Low Mount	<b>1.97 - 1.98</b>	Wheel Bolts & Studs	<b>1.127</b>
Suspension FL11000, FL11000L	<b>1.89 - 1.90</b>	<b>Shock Absorbers</b>	<b>1.177</b>
Suspension FL11000/150, FL11000D	<b>1.91 - 1.92</b>	<b>Wheel Nut Indicators</b>	<b>1.183</b>



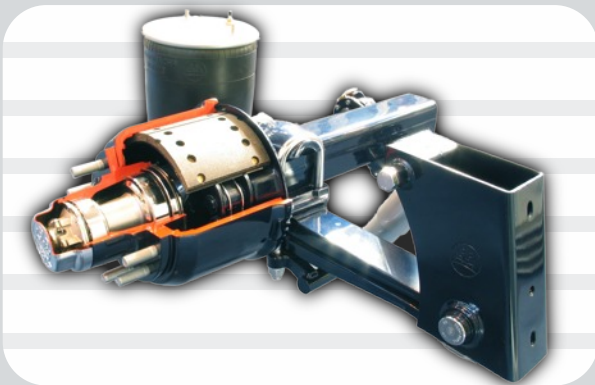


## BPW Components



Reliability, performance and low maintenance: for BPW these are key components when it comes to designing its range of innovative products for the heavy commercial trailer market.

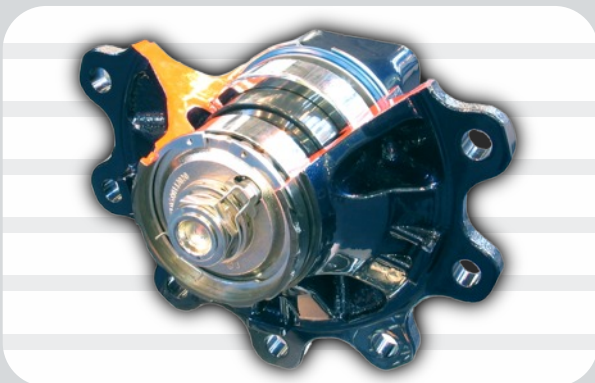
Most people associate BPW with axles and suspensions: products on which the company was founded over 100 years ago in the small town of Wiehl. Today, BPW operates on a global scale, with its quality, engineered products sought after throughout the world.



In recent years BPW has extended its expertise into other trailer related products.

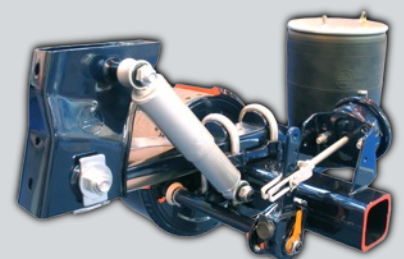
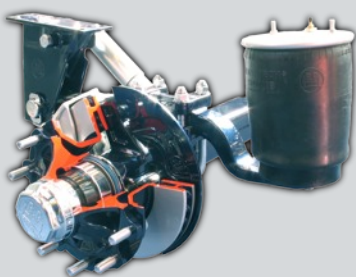
These include the lightweight, forged aluminium ECO Wheels and more recently, the T Control telematics smart trailer monitoring system.

Every component is backed by BPW's uncompromising approach to quality, service and support.



Behind the products is an extensive service and parts network and a team of customer service professionals.

As an international mobility partner BPW is focused on quick and direct support to ensure its customers keep their trailers operating at optimum efficiency.



# BPW Axle Plates

The information provided in this section is for the most common axles in the UK -

1. Rigid axles (for steering axles contact your local branch with axle plate information)
2. 10 stud hubs (for 6 or 8 stud hubs contact your local branch with axle plate information)
3. 6.5-9 ton are listed (for 10 - 12 & 13-15 ton hubs contact your local branch with axle plate information)

Axle Type	Axle Beam	Brake Type	Brake Type
H	Square	Drum	SN420 x 180mm / SN420 x 200mm / SN420 x 220mm
K	Square	Drum	SN360 x 160mm / SN360 x 200mm
N	Square	Drum	SN300 x 150mm / SN300 x 200mm
SH	Square	Disc	SB4309T / SB4345 / SB4345T
SKH	Square	Disc	SB3745 / SB3745T

Notes: BPW do have other codes but these cover 99% of the current UK market

Axle Code	Wheel Stud	Axle Type	Axle Weight	Axle Type	Wheel Studs	Axle Code	Year & Week
F	M22 x 1.5	90	9 Ton	08	8 Stud	0343	2003 week 43
		10	10 Ton	10	10 Stud	0725	2007 week 25



Date & Serial Number
034350051

Axle Type	Hub Type	Hub Weight	Date of Manufacture
36 or 38	ECO	6.5 - 9 Ton	1983 - 1997
40	ECO	10 - 12 Ton	1983 - 1997
36 or 38	ECO Maxx	6.5 - 9 Ton	1997 - 2001
40	ECO Maxx	10 - 12 Ton	1997 - 2001
48	ECO Plus	8 - 9 Ton	2001 - Sept 2007
50	ECO Plus	10 - 12 Ton	2001 - Sept 2007
58	ECO Plus 2	8 - 9 Ton	Sept 2007 on

Axle Code	Wheel Studs
B	single wheels, wheels with offset
S	single wheels, wheels without offset Hub
Z	twin wheels
I	wheel spiders for trilex rims single wheels
IZ	wheel spiders for trilex rims twin wheels

Notes: 95% of the UK market has code S

Notes: For the N series axle the ECO Maxx was fitted through to March 2013 and then the ECO Plus 2, The ECO Plus hub was never fitted.

The axle codes for ECO & ECO Maxx are the same with two noticeable differences, 1. Date of Manufacture, 2. The ECO hub is round and the ECO Maxx hub is Star shaped.

### Contact us now with the following information

To help us correctly identify your parts provide the following information

Axle Code: 27.48.612.101


Date and Serial No. 034350051

AXLE & SUSPENSION

# BPW Axle Plates

Disc Brake Codes			
Axle Type	Disc Size	Brake Type	Date of Manufacture
609	430mm (22.5")	Disc Brake (KB Caliper)	1996 - 04/2003
610	370mm (19.5")	Disc Brake (KB Caliper)	1996 - 04/2003
612	370mm (19.5")	Disc Brake (KB Caliper)	05/2003 - 12/2009
613	430mm (22.5")	Disc Brake (KB Caliper)	05/2003 - 12/2009
614	430mm (22.5")	Disc Brake (KB Caliper)	05/2003 - 12/2009
616	370mm (19.5")	Disc Brake (BPW O/E Caliper)	01/2010 on
617	430mm (22.5")	Disc Brake (BPW O/E Caliper)	01/2010 on

Notes:



**BPW BERGISCHE ACHSEN KG** D-51674 Wiehl Germany

**SKH S F 90 10**  
**27. 48. 612. 101.** **034350051**

**TYP D 115-1 TDB 0562**

zul. Achslast  
perm. axle capacity  
charge adm. stat. **9000** kg **105** km/h

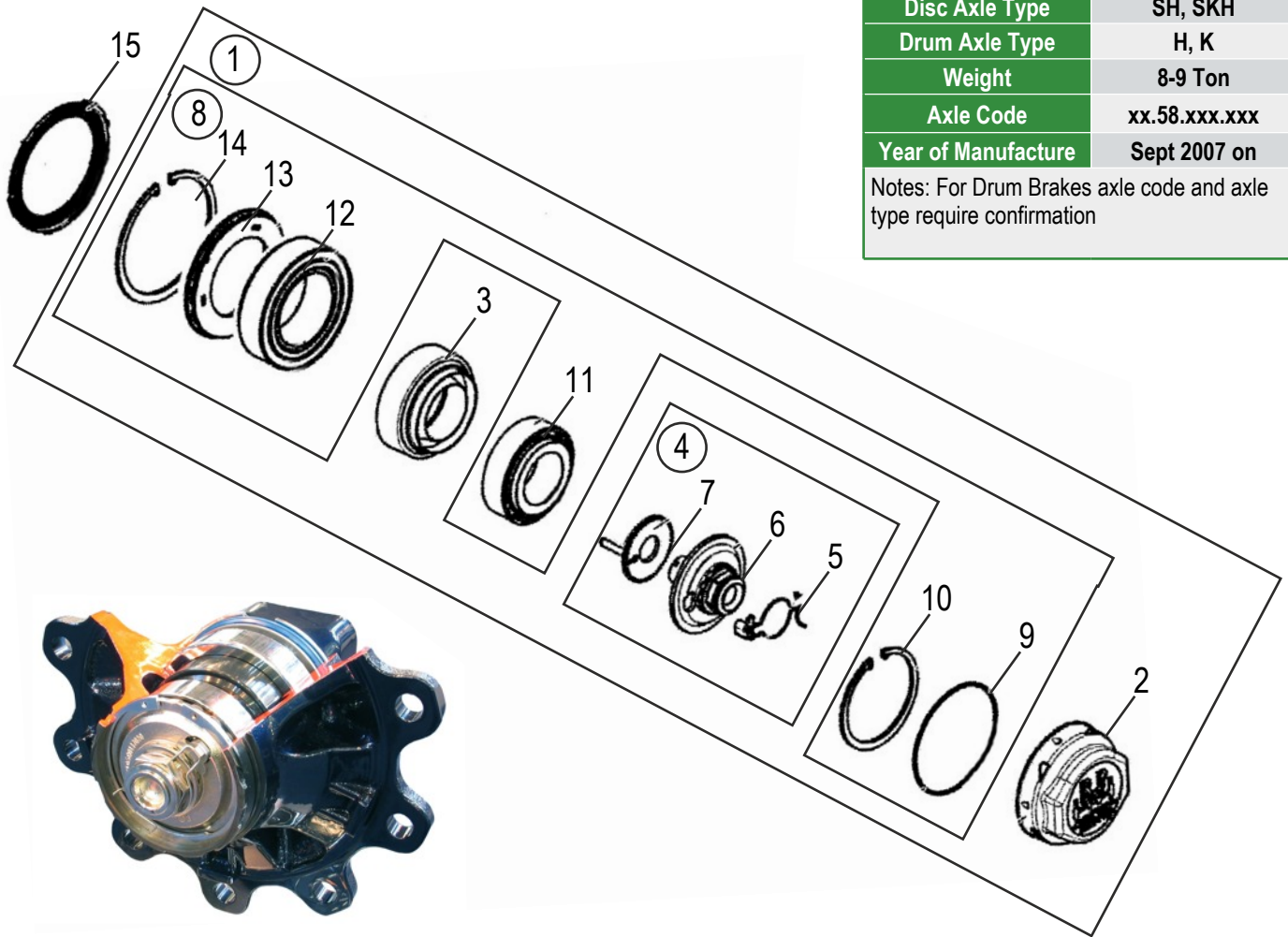
Drum Brake Codes			
Axle Type	Drum Size	Brake Type	Date of Manufacture
501	300 x 150mm	95 Brake	1995 on
502	300 x 200mm	95 Brake	1995 on
542	360 x 160mm	Conventional Brake	1983 - 1995
545	360 x 200mm	Conventional Brake	1983 - 1995
546	360 x 200mm	Conventional Brake	1983 - 1995
551	360 x 160mm	95 Brake	1995 on
552	360 x 200mm	95 Brake	1995 on
592	300 x 150mm	Conventional Brake	1989 - 1995
596	300 x 200mm	Conventional Brake	1989 - 1995
709	420 x 180mm	Conventional Brake	1983 - 1995
710	420 x 180mm	Conventional Brake	1983 - 1995
713	420 x 180mm	Conventional Brake	1983 - 1995
714	420 x 180mm	Conventional Brake	1983 - 1995
717	420 x 200mm	Conventional Brake	1983 - 1995
718	420 x 200mm	Conventional Brake	1983 - 1995
722	420 x 200mm	Conventional Brake	1983 - 1995
723	420 x 200mm	Conventional Brake	1983 - 1995
739	420 x 220mm	Conventional Brake	1983 - 1995
743	420 x 180mm	95 Brake	1995 on
744	420 x 200mm	95 Brake	1995 on
745	420 x 220mm	95 Brake	1995 on

Notes: For other drum brake codes contact your local branch

# BPW Components

## ECO Plus 2 Hub Assembly Parts

Model	Eco Plus 2
Disc Axle Type	SH, SKH
Drum Axle Type	H, K
Weight	8-9 Ton
Axle Code	xx.58.xxx.xxx
Year of Manufacture	Sept 2007 on
Notes: For Drum Brakes axle code and axle type require confirmation	



AXLE & SUSPENSION

Item	Description	Part No
1	Repair Kit Roller bearing with axle screw & hub cap	ST10170136
2	● Hub cap Bayonet type fitting comes with item 9	ST10170119
3	● Grease Cartridge Ø 101mm / 130mm x 50mm	ST10171101
4	● Axle Screw with toothed washer M32 x 2mm / SW46mm	ST10170241
5	●● Hooked spring ring cpl with locking piece	ST10170243
6	NSS	
7	NSS	
8	● Repair Kit Roller bearing without axle screw & hub cap	ST10170273
9	●● O Ring Ø 128mm x 3mm	ST10170005
10	●● Locking ring Ø 122mm x 4mm	ST10075138
11	●● Roller bearing 33213	ST10170007
12	●● Roller bearing 33118	ST10170008
13	●● Oil seal Ø 175mm / 158mm x 17.5mm	ST10075156
14	●● Locking ring Ø 158mm x 4mm	ST10075140
15	Exciter Ring	ST10075653

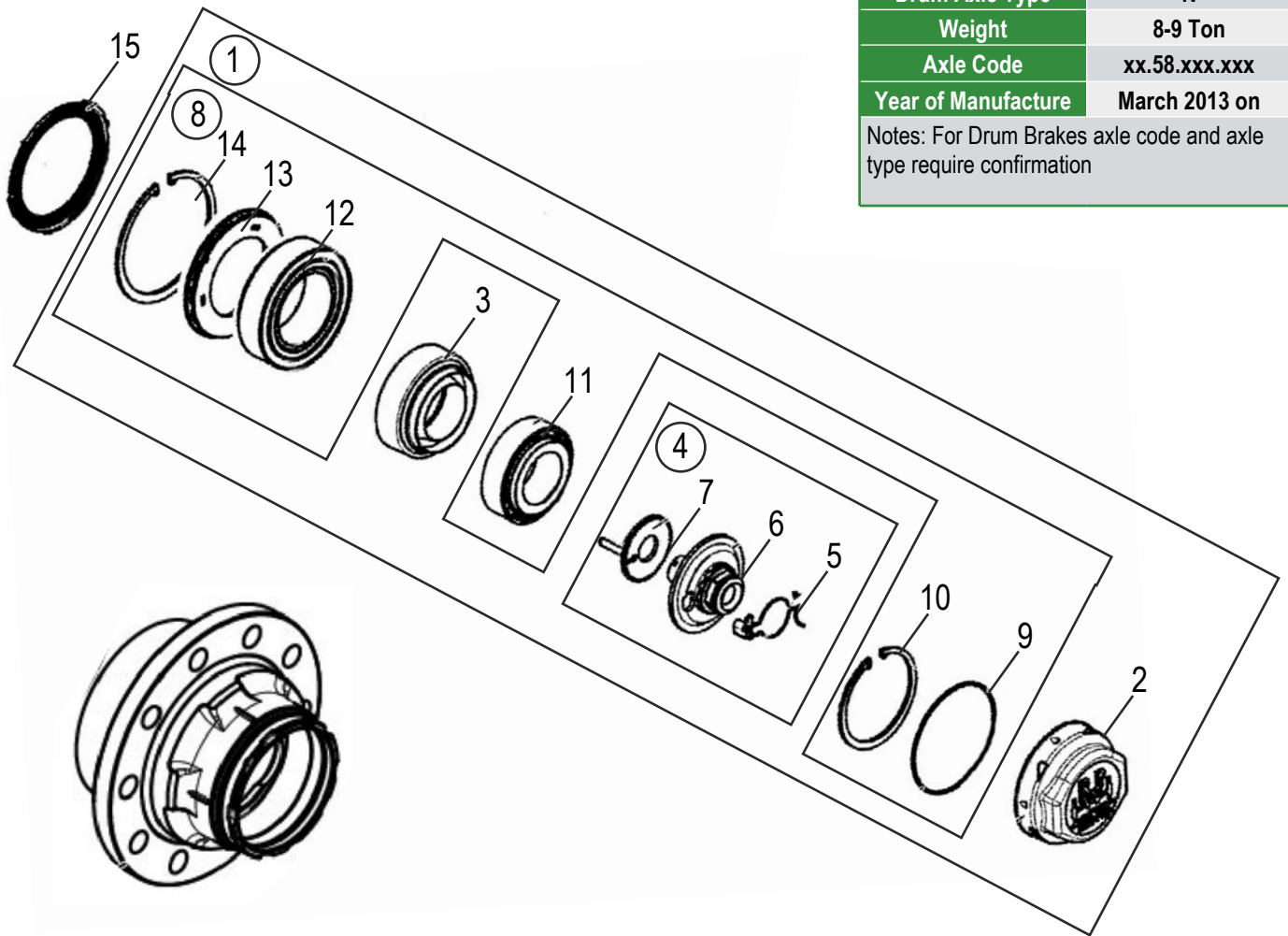
Notes:

# BPW Components

## ECO Plus 2 Hub Assembly Parts

Model	Eco Plus 2
Drum Axle Type	N
Weight	8-9 Ton
Axle Code	xx.58.xxx.xxx
Year of Manufacture	March 2013 on

Notes: For Drum Brakes axle code and axle type require confirmation

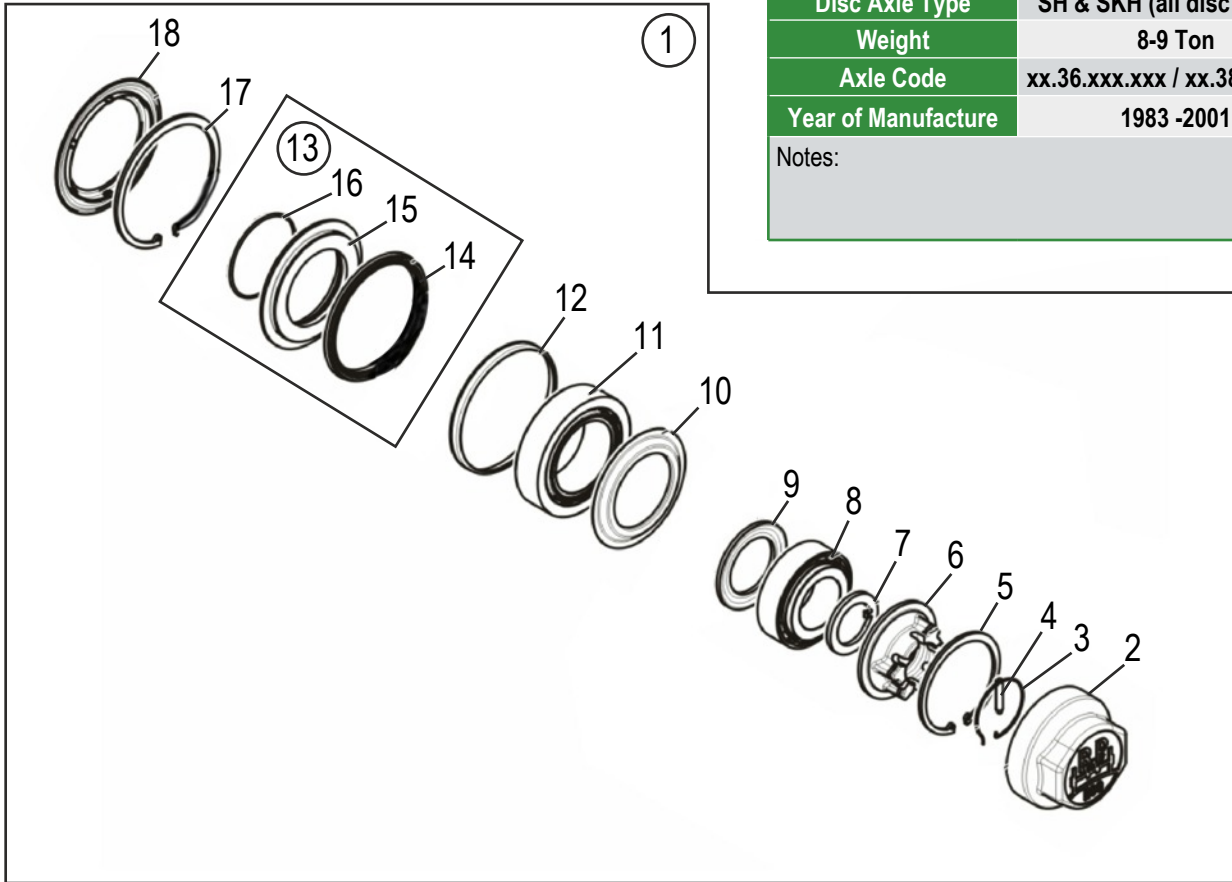


Item	Description	Part No
1	Repair Kit Roller bearing with axle screw & hub cap	ST10170136
2	● Hub cap Bayonet type fitting comes with item 9	ST10170119
3	● Grease Cartridge Ø 101mm / 130mm x 50mm	ST10171101
4	● Axle Screw with toothed washer M32 x 2mm / SW46mm	ST10170241
5	●● Hooked spring ring cpl with locking piece	ST10170243
6	NSS	
7	NSS	
8	● Repair Kit Roller bearing without axle screw & hub cap	ST10170273
9	●● O Ring Ø 128mm x 3mm	ST10170005
10	●● Locking ring Ø 122mm x 4mm	ST10075138
11	●● Roller bearing 33213	ST10170007
12	●● Roller bearing 33118	ST10170008
13	●● Oil seal Ø 175mm / 158mm x 17.5mm	ST10075156
14	●● Locking ring Ø 158mm x 4mm	ST10075140
15	Exciter Ring	ST10075653

Notes:

# BPW Components

## ECO & ECO Maxx Hub Assembly 8-9 Ton



Model	ECO & ECO Maxx
Disc Axle Type	SH & SKH (all disc brakes)
Weight	8-9 Ton
Axle Code	xx.36.xxx.xxx / xx.38.xxx.xxx
Year of Manufacture	1983 -2001
Notes:	

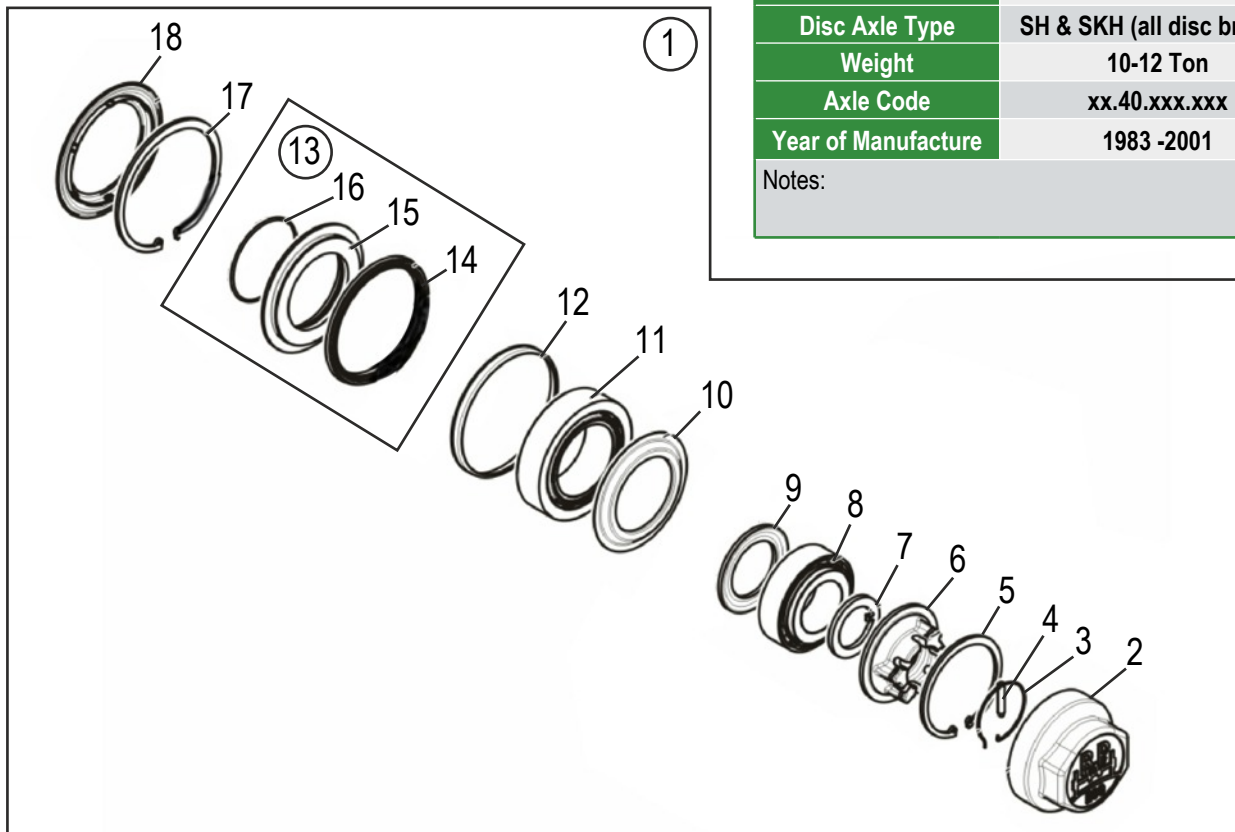
AXLE & SUSPENSION

Item	Description	Part No.
1	Repair Kit	ST10076268
2	● Hub cap Steel, M125 x 2mm / SW110mm	ST10075523
3	● Hooked spring ring Ø 54mm x 2mm	ST10075484
4	● Bolt Ø 8mm x 45mm	ST10075274
5	● Locking ring Ø 112mm x 4mm	ST10075137
6	● Castle nut M42mm x 2mm / Ø 110 / SW65mm	ST10075575
7	● Disc Ø 43mm / 61mm x 5.8mm	ST10075714
8	● Roller bearing 32310	ST10170010
9	● Thrust washer Ø 53mm / 98mm x 10mm	ST10075775
10	● Dust cover Ø 84mm / 129mm x 8.5mm	ST10075232
11	● Roller bearing 33116	ST10170009
12	● Ring Ø 131mm / 140mm x 12.5mm	ST10075171
13	● Thrust washer cpl item 3, 4, 6 (hub seal with seal in thrust washer)	ST10170274
14	●● Oil seal Ø 115mm / 136.7mm x 10.5mm	ST10075151
15	●● Thrust washer Ø 86mm / 115mm / 139mm x 22mm	ST10075772
16	●● O-Ring Ø 90mm x 3mm (hub seal with seal in thrust washer)	ST10075164
17	● Locking ring Ø 140mm x 4mm	ST10075139
18	● Dirt seal (new) Ø 103mm / 147mm x 15mm	ST10075170

Notes:

# BPW Components

## ECO & ECO Maxx Hub Assembly 10-12 Ton



Model	ECO & ECO Maxx
Disc Axle Type	SH & SKH (all disc brakes)
Weight	10-12 Ton
Axle Code	xx.40.xxx.xxx
Year of Manufacture	1983 -2001
Notes:	

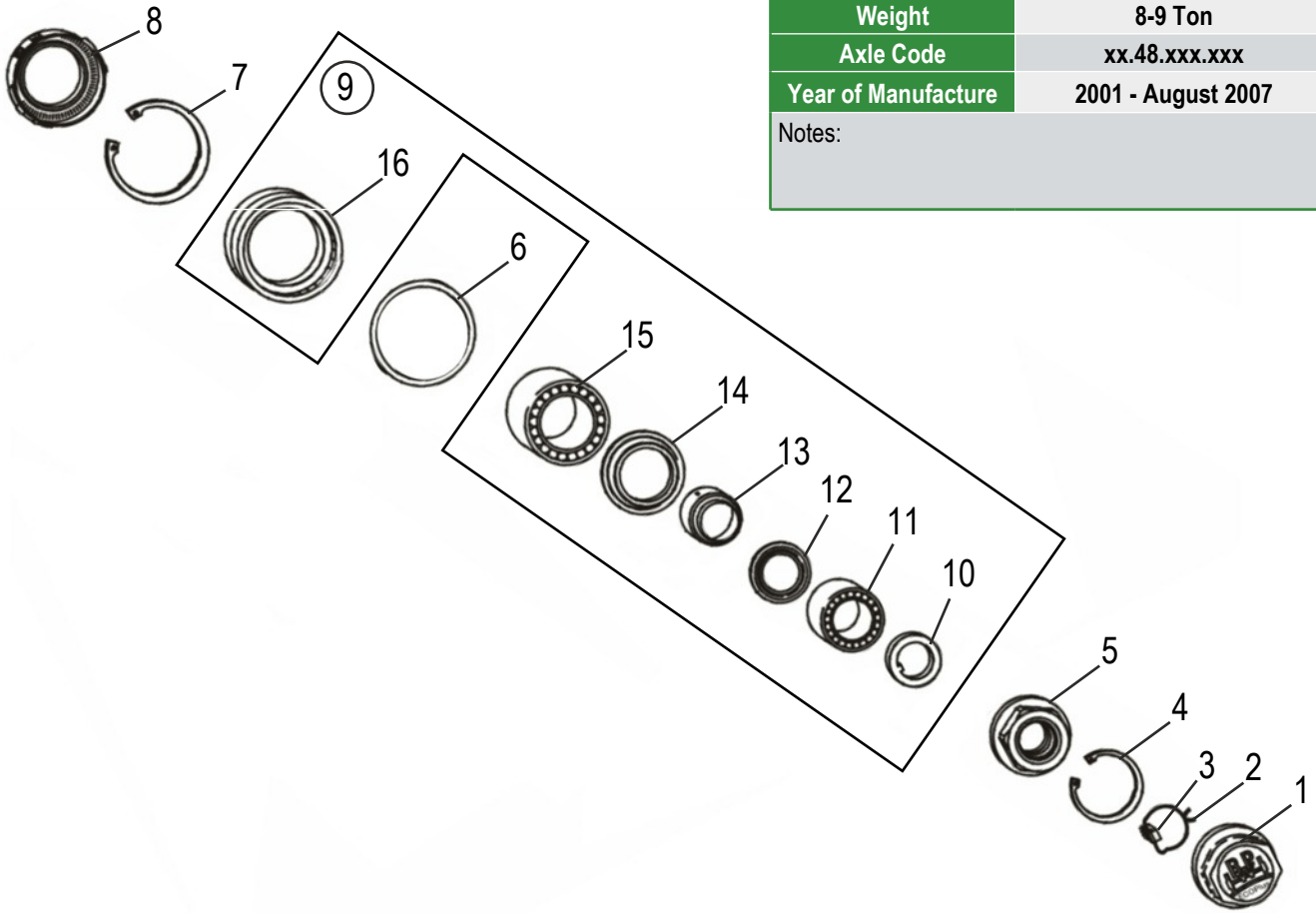
Item	Description	Part No.
1	Roller Bearing Repair Kit (M135 x 2mm Hub Cap) *	ST10076269
1	Roller Bearing Repair Kit (M136 x 2.5mm Hub Cap) **	ST10170275
2	• Hub cap Steel, standard ( M135 x 2mm / SW110mm)	ST10075526
2	• Hub cap Steel, standard ( M136 x 2.5mm / SW110mm)	ST10075529
3	• Hooked spring ring Ø 66mm x 2mm	ST10075485
4	• Bolt Ø 8mm x 45mm	ST10075274
5	• Locking ring Ø 122mm x 4mm	ST10075138
6	• Castle nut M52 x 2mm / Ø 120mm / SW80mm	ST10075576
7	• Disc Ø 53mm / 76mm x 5.8mm	ST10075712
8	• Roller bearing 33213	ST10170007
9	• Thrust washer Ø 71mm / 108mm x 8mm	ST10075776
10	• Dust cover Ø 94mm / 149mm x 8.5mm	ST10075233
11	• Roller bearing 33118	ST10170008
12	• Ring Ø 151mm / 160mm x 12.5mm	ST10075172
13	• Thrust Washer Complete	ST10170276
14	•• Oil seal Ø 135mm / 156.7mm x 12mm	ST10075152
15	•• Thrust washer Ø 97mm / 135mm / 159mm x 22mm	ST10075773
16	•• O-Ring hub seal with seal in thrust washer Ø 100mm x 3mm	ST10075165
17	• Locking ring Ø 160mm x 4mm	ST10075141
18	• Dirt seal (new) Ø 133mm / 168mm x 15mm	ST10075376

Notes: \*For hub caps up to September 2000 use M135 x 2mm

\*\*Hub caps from September 2000 use M136 x 2.5mm, Sizes are stamped on the hub caps

# BPW Components

## ECO Plus Hub Assembly 8-9 Ton



Model	ECO Plus
Disc Axle Type	SH & SKH (all disc brakes)
Weight	8-9 Ton
Axle Code	xx.48.xxx.xxx
Year of Manufacture	2001 - August 2007
Notes:	

AXLE & SUSPENSION

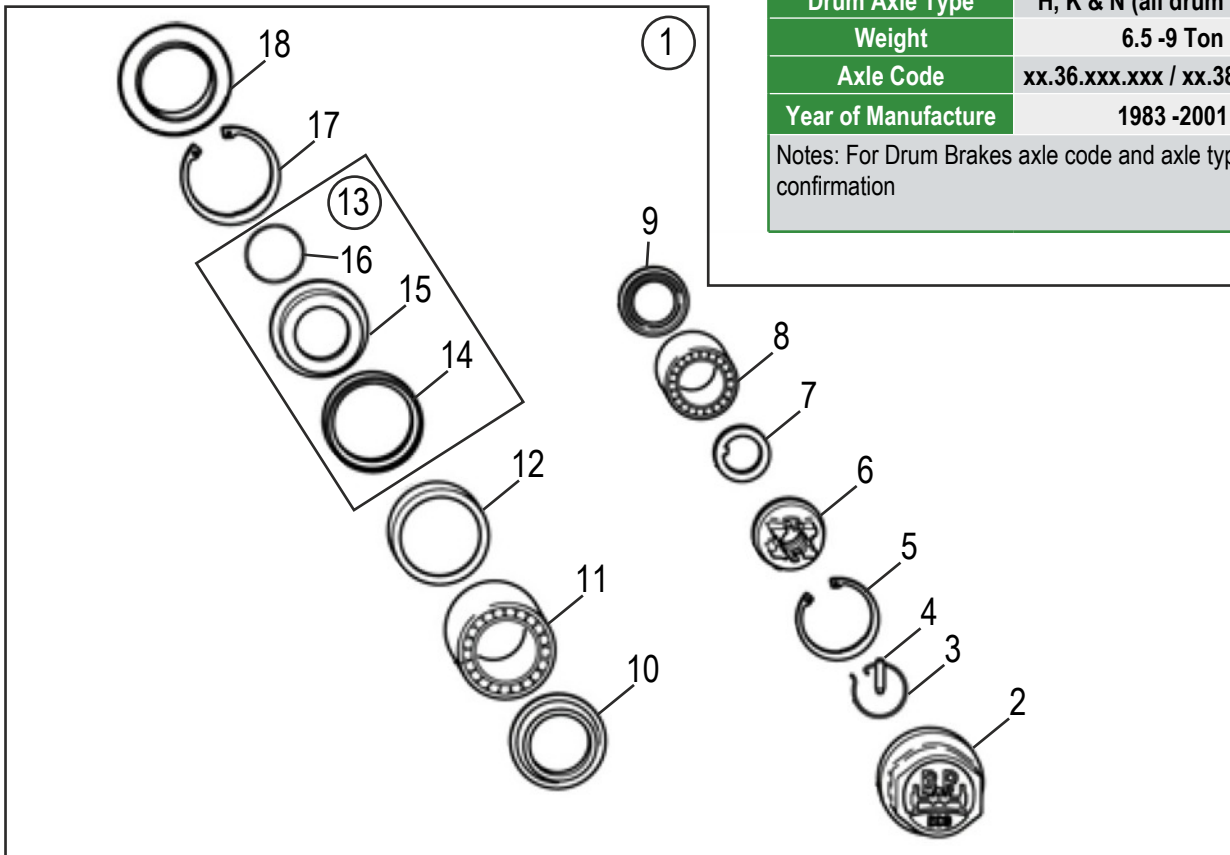
Item	Description	Part No.
1	Hub cap M136 x 2.5mm / SW110mm	ST10075528
2	Hooked spring ring Ø 62mm x 1.8mm	ST10075486
3	Locking piece	ST10075598
4	Locking ring Ø 122mm x 4mm	ST10075138
5	Axle nut M52 x 2mm / SW95mm	ST10076099
6	Ring Ø 151mm / 157.6mm x 20mm	ST10075174
7	Locking ring Ø 158mm x 4mm	ST10075140
8	Seal Ø 122mm / 160mm x 8.7mm	ST10075377
9	Repair kit ECO Plus hub bearing (from 10/2004)	ST10170162
10	• Disc Ø 53mm / 76mm x 5.8mm	ST10075712
11	• Roller bearing 33213	ST10170007
12	• Thrust washer Ø 71mm / 108mm x 8mm	ST10075776
13	• Seal Ø 67mm / 95mm x 49.5mm	ST10075374
14	• Dust cover Ø 94mm / 149mm x 8.5mm	ST10075233
15	• Roller bearing 33118	ST10170008
16	• Oil seal Ø 117.5mm / 158mm x 17.5mm	ST10075156

Notes:



# BPW Components

## ECO & ECO Maxx Hub Assembly 6-9 Ton



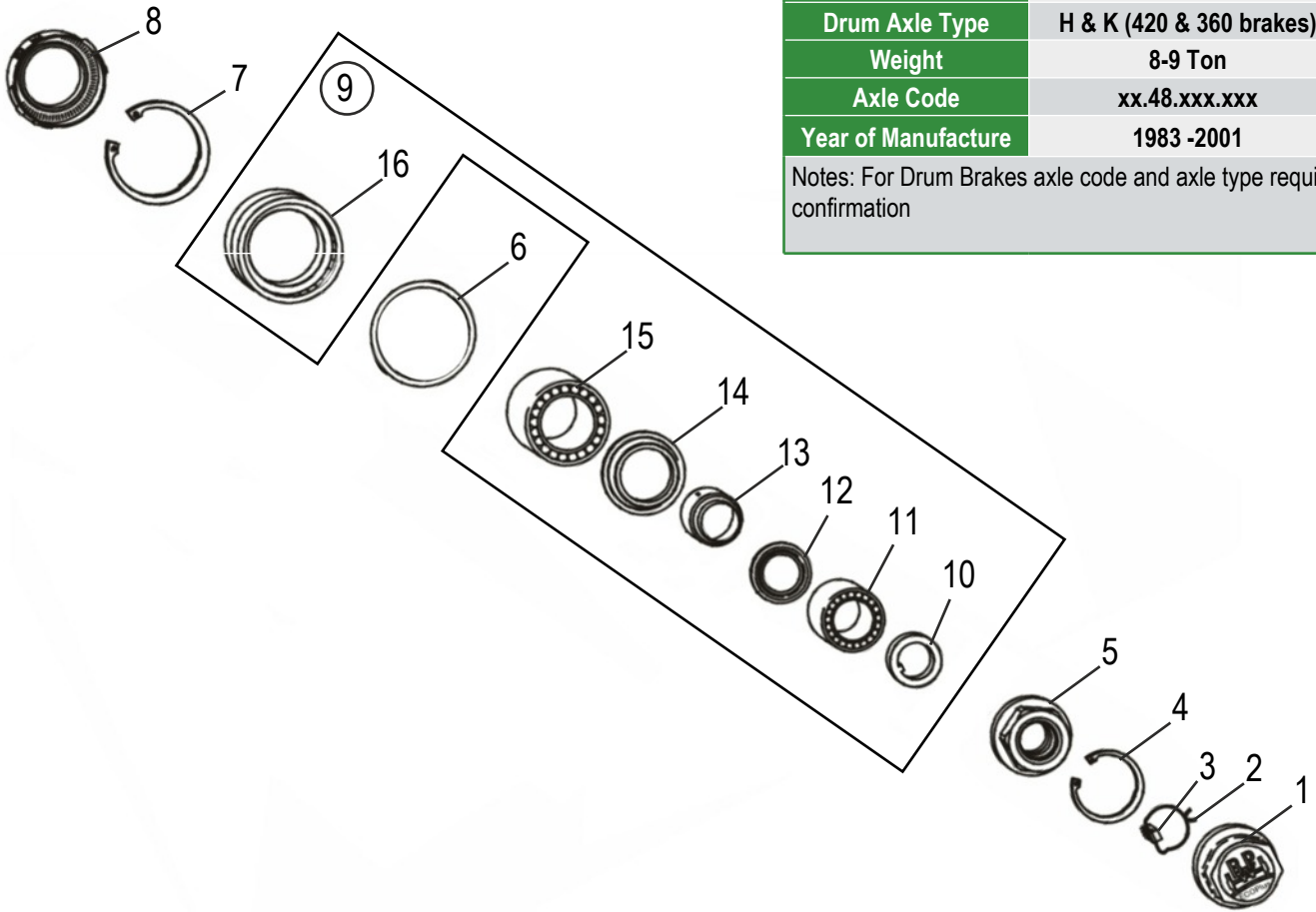
Model	ECO & ECO Maxx
Drum Axle Type	H, K & N (all drum brakes)
Weight	6.5 -9 Ton
Axle Code	xx.36.xxx.xxx / xx.38.xxx.xxx
Year of Manufacture	1983 -2001
Notes: For Drum Brakes axle code and axle type require confirmation	

Item	Description	Part No.
1	Repair kit roller bearings	ST10076268
2	• Hub cap M125 x 2mm / SW110mm	ST10075523
3	• Hooked spring ring Ø 54mm x 2mm	ST10075484
4	• Bolt Ø 8mm x 45mm	ST10075274
5	• Locking ring Ø 112mm x 4mm	ST10075137
6	• Castle nut M42mm x 2mm / Ø 110 / SW65mm	ST10075575
7	• Disc Ø 43mm / 61mm x 5.8mm	ST10075714
8	• Roller bearing 32310	ST10170010
9	• Thrust washer Ø 53mm / 98mm x 10mm	ST10075775
10	• Dust cover Ø 84mm / 129mm x 8.5mm	ST10075232
11	• Roller bearing 33116	ST10170009
12	• Ring Ø 131mm / 140mm x 12.5mm	ST10075171
13	• Thrust Washer Complete	ST10170274
14	•• Oil seal Ø 115mm / 136.7mm x 10.5mm	ST10075151
15	•• Thrust washer Ø 86mm / 115mm / 139mm x 22mm	ST10075772
16	•• O-Ring Ø 90mm x 3mm	ST10075164
17	• Locking ring Ø 140mm x 4mm	ST10075139
18	• Dirt seal Ø 103mm / 147mm x 15mm	ST10075170

Notes:

# BPW Components

## ECO Plus Hub Assembly 8-9 Ton



Model	ECO Plus
Drum Axle Type	H & K (420 & 360 brakes)
Weight	8-9 Ton
Axle Code	xx.48.xxx.xxx
Year of Manufacture	1983 -2001
Notes: For Drum Brakes axle code and axle type require confirmation	

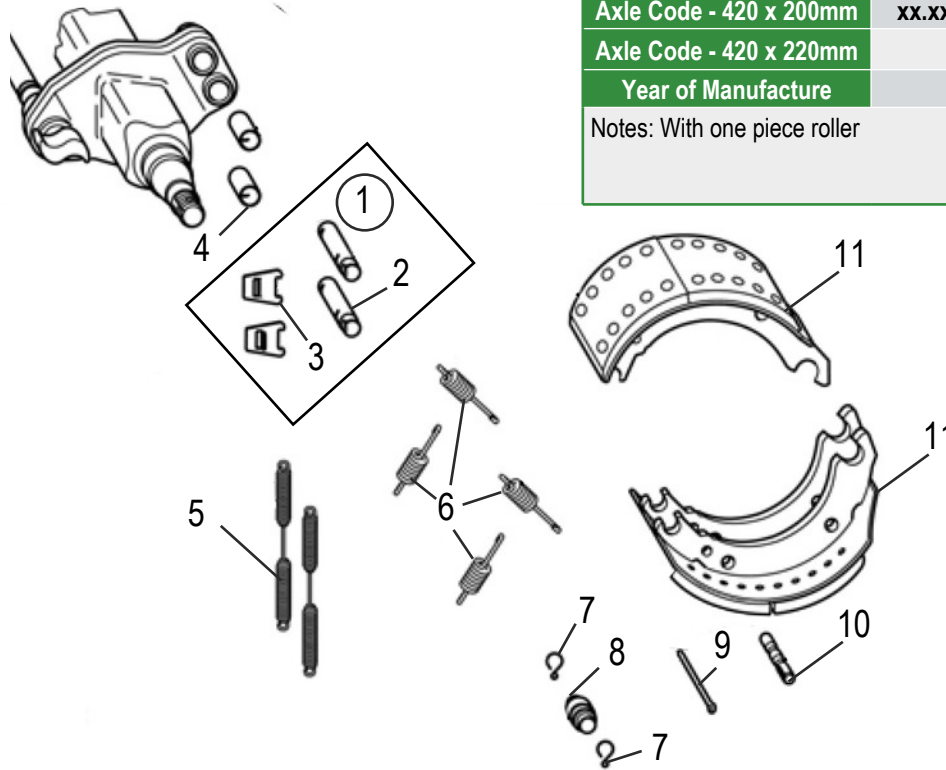
AXLE & SUSPENSION

Item	Description	Part No.
1	Hub cap M136 x 2.5mm / SW110mm	ST10075528
2	Hooked spring ring Ø 62mm x 1.8mm	ST10075486
3	Locking piece	ST10075598
4	Locking ring Ø 122mm x 4mm	ST10075138
5	Axle nut M52 x 2mm / SW95mm	ST10076099
6	Ring Ø 151mm / 157.6mm x 20mm	ST10075174
7	Locking ring Ø 158mm x 4mm	ST10075140
8	Seal Ø 122mm / 160mm x 8.7mm	ST10075377
9	Repair kit ECO Plus hub bearing	ST10170162
10	• Disc Ø 53mm / 76mm x 5.8mm	ST10075712
11	• Roller bearing 33213	ST10170007
12	• Thrust washer Ø 71mm / 108mm x 8mm	ST10075776
13	• Seal Ø 67mm / 95mm x 49.5mm	ST10075374
14	• Dust cover Ø 94mm / 149mm x 8.5mm	ST10075233
15	• Roller bearing 33118	ST10170008
16	• Oil seal Ø 120mm / 157.5mm x 20mm	ST10075156

Notes:

# BPW Components

## Drum Brake Assembly - 420

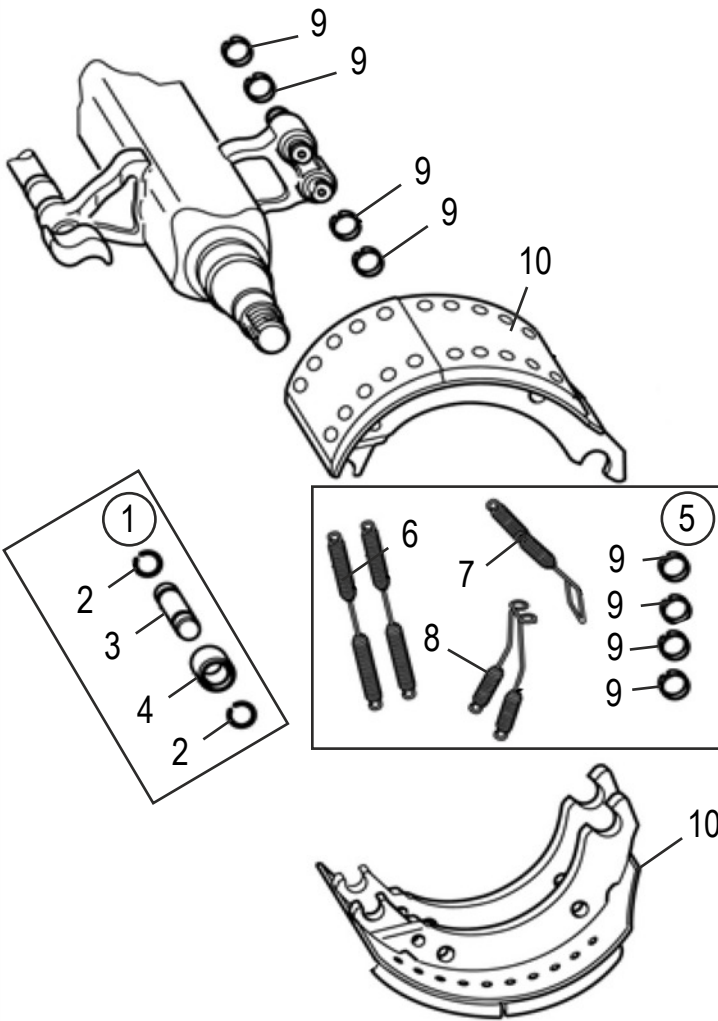


Model	Conventional Brake
Drum Application	H Series
Axle Code - 420 x 180mm	xx.xx.710.xxx / xx.xx.714.xxx
Axle Code - 420 x 200mm	xx.xx.718.xxx / xx.xx.723.xxx
Axle Code - 420 x 220mm	xx.xx.739.xxx
Year of Manufacture	1983 -1995
Notes: With one piece roller	

Item	Description	Part No.
1	Brake bolt complete (420 x 180mm)(420 x 200mm)	ST10170277
2	• Brake bolt 36mm x 135mm (420 x 180mm)(420 x 200mm)	ST10075259
3	• Shaped plate	ST10075459
1	Brake bolt complete (420 x 220mm)	ST10170278
2	• Brake bolt 36mm x 145mm (420 x 220mm)	ST10075260
3	• Shaped plate	ST10075459
4	Brake bolt bush 36mm / 40mm x 60mm	ST10075337
5	Return spring 25mm / 4mm x 262mm (420 x 220mm)	ST10170283
5	Return spring 25mm / 5mm x 269mm (420 x 180mm)(420 x 200mm)	ST10170284
6	Return spring 21mm / 4mm x 105mm	ST10075791
7	Clip	ST10075762
8	Roll 26mm / 42mm x 52mm (420 x 220mm)	ST10075718
8	Roll 26mm / 42mm x 78mm (420 x 180mm)(420 x 200mm)	ST10170280
9	Split pin 6.3mm x 90mm (420 x 220)	ST10075186
9	Split pin 6.3mm x 71mm (420 x 180mm)(420 x 200mm)	ST10170281
10	Splined pin 12mm x 90mm (420 x 220mm)	ST10075218
10	Splined pin 12mm x 70mm (420 x 180mm)(420 x 200mm)	ST10170282
11	Brake shoe assembly, with lining (420 x 180mm)	See Page 1.172
11	Brake shoe assembly, with lining (420 x 200mm)	
11	Brake shoe assembly, with lining (420 x 220mm)	

Notes:

## Drum Brake Assembly - 420



Model	95 Brake
Drum Application	H Series
Axle Code - 420 x 180mm	xx.xx.743.xxx
Axle Code - 420 x 200mm	xx.xx.744.xxx
Axle Code - 420 x 220mm	xx.xx.745.xxx
Year of Manufacture	1995 on

Notes: With three piece roller (Splitter roller)



Brake shoe with cut out in the lining and a small locating key on the brake shoe

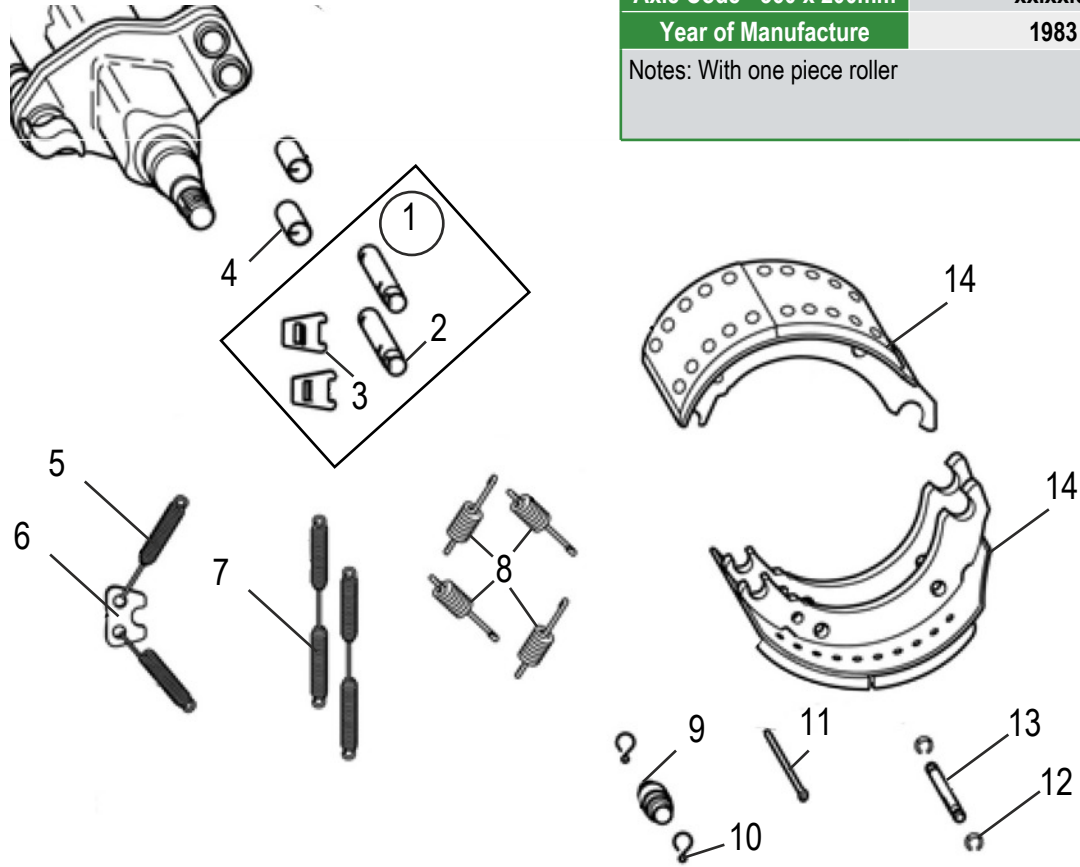
Item	Description	Part No.
1	Repair kit brake shoe roller	ST10076284
2	• Ring 24mm / 31mm x 35mm	ST10075672
3	• Bolt 26mm x 58.5mm	ST10075277
4	• Roll 26mm / 45mm x 33.5mm	ST10076122
5	Spring Kit	ST10076323
6	• Return spring 34mm / 5.3mm x 268mm	ST10076173
7	• Return spring 19mm / 36mm x 36/83mm	ST10077226
8	• Return spring 19mm / 36mm x 36/84mm	ST10077225
9	• C' Clip 325mm / 30mm x 10mm	ST10075483
10	Brake shoe assembly, with lining (420 x 180mm) 1995 - Sept 2007 without cut out	See Page 1.172
10	Brake shoe assembly, with lining (420 x 180mm) Sept 2007 on with cut out	
10	Brake shoe assembly, with lining (420 x 200mm) 1995 - Sept 2007 without cut out	
10	Brake shoe assembly, with lining (420 x 200mm) Sept 2007 on with cut out	
10	Brake shoe assembly, with lining (420 x 220mm)	

Notes:

# BPW Components

## Drum Brake Assembly - 360

Model	Conventional Brake
Drum Application	K Series
Axle Code - 360 x 160mm	xx.xx.542.xxx
Axle Code - 360 x 200mm	xx.xx.546.xxx
Year of Manufacture	1983 -1995
Notes: With one piece roller	



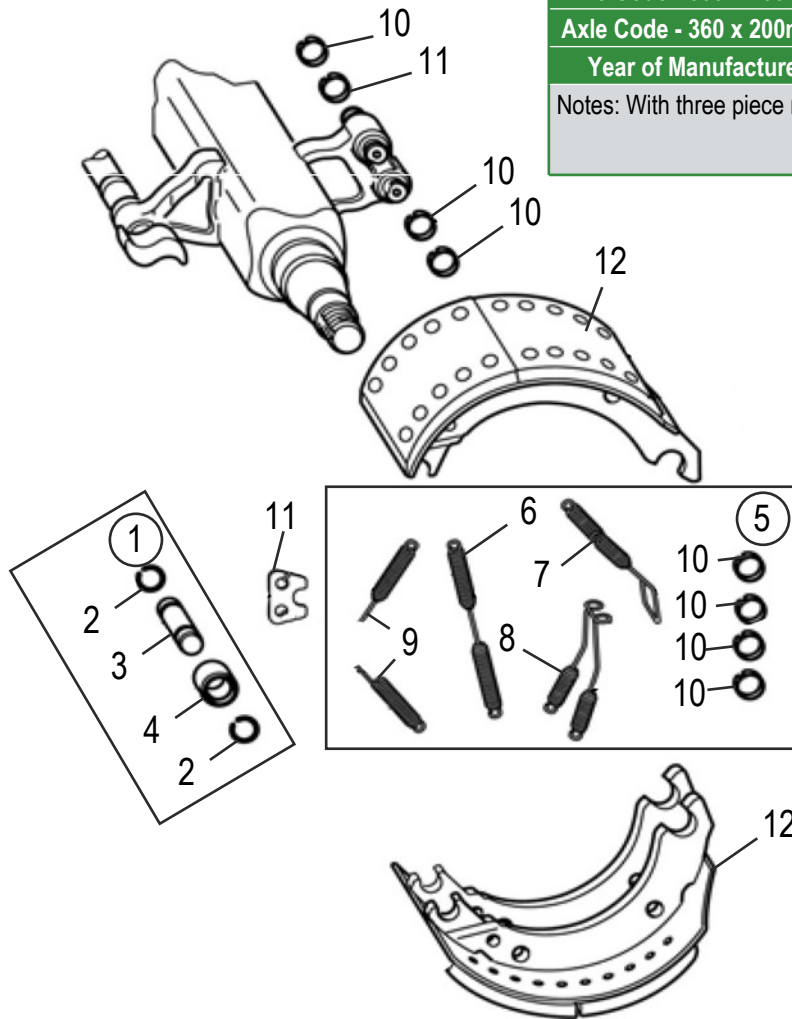
Item	Description	Part No.
1	Brake bolt complete	ST10170285
2	• Brake bolt 36mm x 135mm	ST10075259
3	• Shaped plate	ST10075459
4	Brake bolt bush 36mm / 40mm x 60mm	ST10075337
5	Return spring 22mm / 4mm x 108mm (360 x 160mm Only)	ST10075792
6	Plate 28mm x 25mm x 4mm (360 x 160mm Only)	ST10075618
7	Return spring 23.5mm / 4mm x 218mm	ST10076167
8	Return spring 21mm / 4mm x 105mm	ST10075791
9	Roll 26mm / 42mm x 78mm	ST10075718
10	Clip	ST10075762
11	Split pin 6.3mm x 90mm	ST10075186
12	Lock (360 x 160mm Only)	ST10075059
13	Bolt 12 x 120mm (360 x 160mm)	ST10075254
13	Bolt 12 x 120mm (360 x 200mm)	ST10075253
14	Brake shoe assembly, with lining (360 x 160mm)	See Page 1.172
14	Brake shoe assembly, with lining (360 x 200mm)	

Notes:

# BPW Components

## Drum Brake Assembly - 360

Model	95 Brake
Drum Application	K Series
Axle Code - 360 x 160mm	xx.xx.551.xxx
Axle Code - 360 x 200mm	xx.xx.552.xxx
Year of Manufacture	1995 on
Notes: With three piece roller (Splitter roller)	



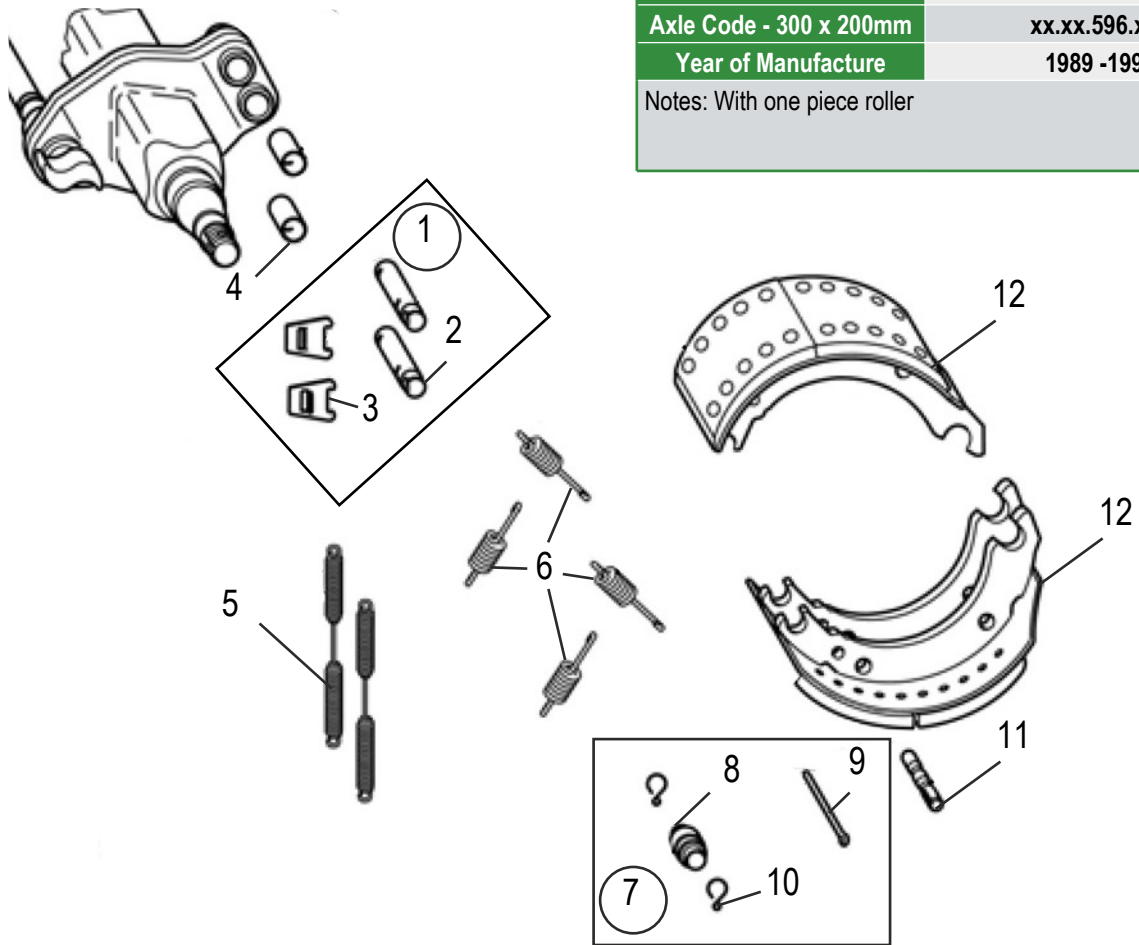
AXLE & SUSPENSION

Item	Description	Part No.
1	Repair kit brake shoe roller	ST10076284
2	● Ring 24mm / 31mm x 35mm	ST10075672
3	● Bolt 26mm x 58.5mm	ST10075277
4	● Roll 26mm / 45mm x 33.5mm	ST10076122
5	Brake Spring Kit (360 x 160mm)	ST10170286
5	Brake Spring Kit (360 x 200mm)	ST10170287
6	● Return spring 24.5mm / 4mm x 236mm	ST10076171
7	● Return spring 19mm / 36mm x 36mm / 83mm	ST10077226
8	● Return spring 19mm / 36mm x 36mm / 84mm	ST10077225
9	● Return spring 22mm / 4mm x 119mm (360 x 160mm Only)	ST10170288
10	● C' Clip 32.5mm / 30mm x 10mm	ST10075483
11	Plate 28mm x 25mm x 4mm (360 x 160mm Only)	ST10075618
12	Brake shoe assembly, with lining (360 x 160mm)	See Page 1.172
12	Brake shoe assembly, with lining (360 x 200mm)	

Notes:

# BPW Components

## Drum Brake Assembly - 300



Model	Conventional Brake
Drum Application	N Series
Axle Code - 300 x 150mm	xx.xx.592.xxx
Axle Code - 300 x 200mm	xx.xx.596.xxx
Year of Manufacture	1989 -1995
Notes: With one piece roller	

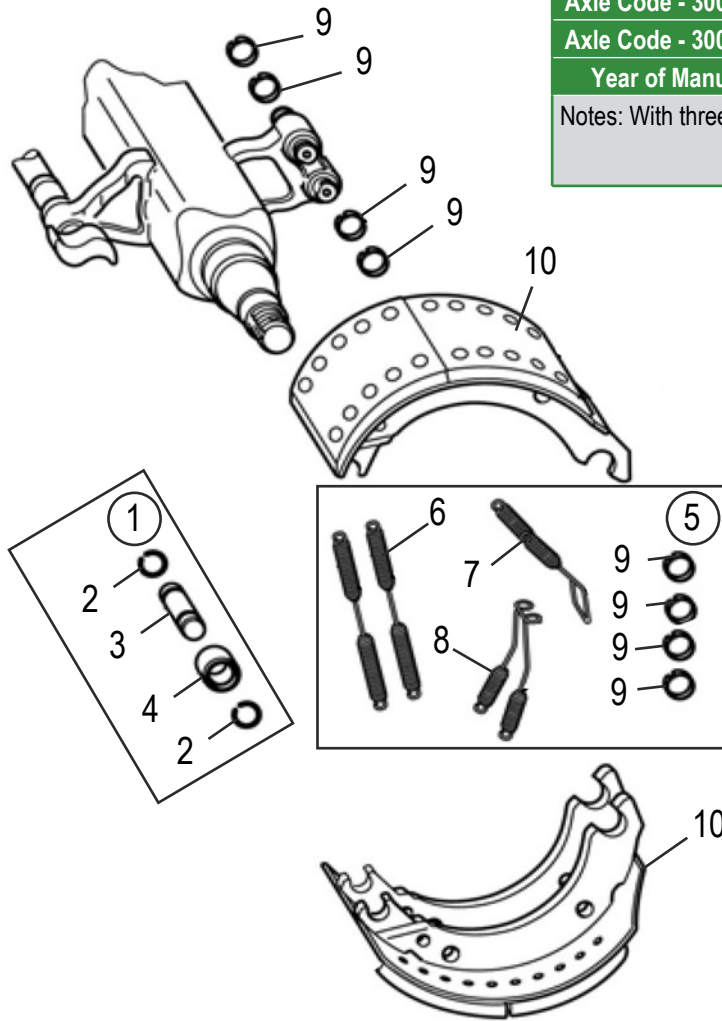
Item	Description	OEM Ref
1	Brake bolt complete	ST10170285
2	• Brake bolt 36 x 145mm	ST10075262
3	• Shaped plate	ST10075461
4	Brake bolt bush 36 40 x 60mm	ST10075337
5	Return spring 24/4 x 167mm	ST10076170
5	Return spring 20/3.6 x 166mm	ST10076164
6	Return spring 21/4 x 105mm	ST10075791
7	Repair kit brake shoe roller	ST10170279
8	• Roll 22/42 x 59mm	ST10075716
9	• Split pin 6.3 x 90mm	ST10075186
10	• Clip	ST10075763
11	Splined pin 12 x 90mm	ST10075218
12	Brake shoe assembly C/W Linings (300 x 150)	See Page 1.172
12	Brake shoe assembly C/W Linings (300 x 200)	

Notes:

# BPW Components

## Drum Brake Assembly - 300

Model	95 Brake
Drum Application	N Series
Axle Code - 300 x 150mm	xx.xx.501.xxx
Axle Code - 300 x 200mm	xx.xx.502.xxx
Year of Manufacture	1995 On
Notes: With three piece roller (Splitter roller)	



AXLE & SUSPENSION

Item	Description	Part No.
1	Repair kit brake shoe roller	ST10076284
2	● Ring 24mm / 31mm x 35mm	ST10075672
3	● Bolt 26mm x 58.5mm	ST10075277
4	● Roll 26mm / 45mm x 33.5mm	ST10076122
5	Brake Spring Kit	ST10170291
6	● Return spring 20mm / 36mm x 180mm	ST10076165
7	● Return spring (Eye)	ST10075786
8	● Return spring (Hook)	ST10075785
9	● 'C' Clip 32.5mm / 30mm x 10mm	ST10075483
10	Brake shoe assembly C/W Lining (300 x 150mm)	See Page 1.172
10	Brake shoe assembly C/W Lining (300 x 200mm)	

Notes:



# BPW Components

## Camshaft Kit (Fits all applications)



Part No.	Application
ST10076292	H - 420 x 180mm, 420 x 200mm, 420 x 220mm, K - 360 x 160mm, 360 x 200mm, N - 300 x 150mm, 300 x 200mm
Notes: Complete axle set	

## Digital Hubdrometer Cap



Hub	Thread	Part No.
ECO Plus	M136	ST10170292
ECO Plus 2	M137 Bayonet	ST10170293
Replacement Battery		ST10170294
Notes:		

## ECO Plus 2 Hub Cap Spanners



Part No.	Part No.
	ST10170191
Notes:	

## Slack Adjusters (Supplied in Pairs)

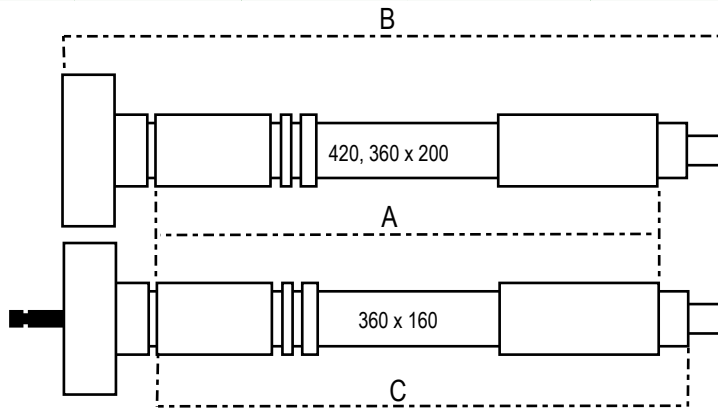


BPW Part No.	Part No
05.174.82.63.3	ST10076232
05.174.82.21.3	ST10076223
05.174.82.31.3	ST10076229
05.174.82.24.3	ST10076224
05.174.88.51.3	ST10076235
05.174.82.32.3	ST10076228
05.174.83.04.3	ST10076233

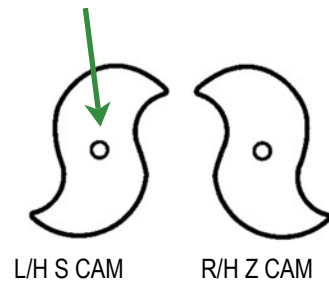
Notes: The BPW part number listed is the number stamped on the slack adjuster and can also end with the last digit being 0 / 1 / 2

# BPW Components

## Camshafts



Camshaft part number is engraved on the S cam Head



L/H S CAM

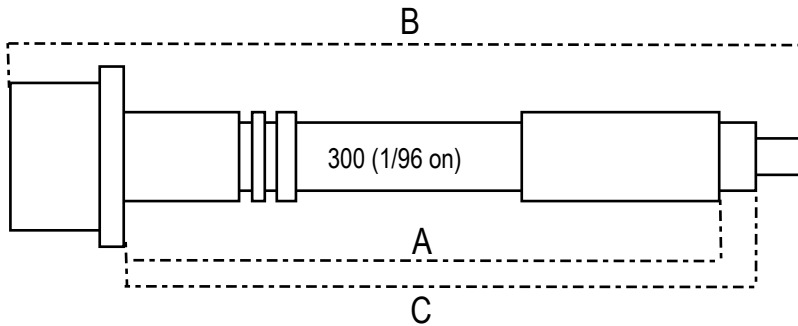
R/H Z CAM

Right Hand	Part No.	Left Hand	Part No.	A (mm)	B (mm)	C (mm)	Brake Size
05.097.05.01.4	ST10170295	05.097.05.02.4	ST10170296	285.5	406	316	420 & 360 x 200mm
05.097.05.03.4	ST10170297	05.097.05.04.4	ST10170298	299.5	420	330	420 & 360 x 200mm
05.097.05.05.4	ST10170299	05.097.05.06.4	ST10170300	311.5	432	342	420 & 360 x 200mm
05.097.05.07.4	ST10075921	05.097.05.08.4	ST10075922	322.5	443	353	420 & 360 x 200mm
05.097.05.35.4	ST10075947	05.097.05.36.4	ST10075948	337.5	458	368	420 & 360 x 200mm
05.097.05.09.4	ST10170046	05.097.05.10.4	ST10170047	361.5	482	392	420 & 360 x 200mm
05.097.05.11.4	ST10170048	05.097.05.12.4	ST10170049	397.5	518	428	420 & 360 x 200mm
05.097.05.13.4	ST10170050	05.097.05.14.4	ST10170051	422.5	543	453	420 & 360 x 200mm
05.097.05.15.4	ST10170052	05.097.05.16.4	ST10170053	431.5	552	462	420 & 360 x 200mm
05.097.05.45.4	ST10170076	05.097.05.46.4	ST10170077	457.5	578	488	420 & 360 x 200mm
05.097.05.17.4	ST10170054	05.097.05.18.4	ST10170055	469.5	590	500	420 & 360 x 200mm
05.097.05.47.4	ST10170078	05.097.05.48.4	ST10170079	484.5	605	515	420 & 360 x 200mm
05.097.05.19.4	ST10170056	05.097.05.20.4	ST10170057	499.5	620	530	420 & 360 x 200mm
05.097.05.21.4	ST10170058	05.097.05.22.4	ST10170059	509.5	630	540	420 & 360 x 200mm
05.097.05.23.4	ST10170060	05.097.05.24.4	ST10170061	522.5	643	563	420 & 360 x 200mm
05.097.05.25.4	ST10170062	05.097.05.26.4	ST10170063	547.5	668	578	420 & 360 x 200mm
05.097.05.39.4	ST10170072	05.097.05.40.4	ST10170073	557.5	678	588	420 & 360 x 200mm
05.097.05.27.4	ST10170064	05.097.05.28.4	ST10170065	577.5	698	608	420 & 360 x 200mm
05.097.05.29.4	ST10170066	05.097.05.30.4	ST10170067	615.5	736	646	420 & 360 x 200mm
05.097.05.37.4	ST10170070	05.097.05.38.4	ST10170071	634.5	755	665	420 & 360 x 200mm
05.097.05.57.4	ST10170082	05.097.05.58.4	ST10170083	649.5	770	680	420 & 360 x 200mm
05.097.05.49.4	ST10170080	05.097.05.50.4	ST10170081	699.5	820	730	420 & 360 x 200mm
05.097.05.31.4	ST10170068	05.097.05.32.4	ST10170069	741.5	862	772	420 & 360 x 200mm
05.097.05.55.4	ST10079563	05.097.05.56.4	ST10079564	751.5	874	782	420 & 360 x 200mm
05.097.09.07.4	ST10170084	05.097.09.08.4	ST10170085	172.5	293	203	360 x 160mm

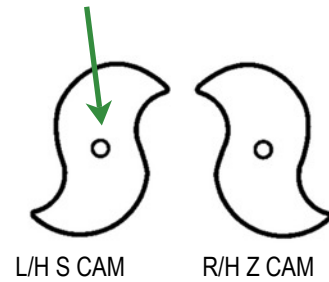
Notes: BPW camshafts have numbers stamped on them, the last digit has changed over the years due to supersessions, all the latest numbers replace older models, Number ref: 0 = up to 04/1991 / 1 = 05/1991 - 12/1995 / 2 = 01/1996 - 02/2002 / 3 = 03/2002 - 2008 / 4 = from 2008

# BPW Components

## Camshafts



Camshaft part number is engraved on the S cam Head



L/H S CAM

R/H Z CAM

Right Hand	RH part No.	Left Hand	LH Part No.	A	B 1996 on	C	Brake Size
05.097.60.27.4	ST10170306	05.097.60.28.4	ST10170307	182.5mm	307mm	213mm	300 Brake
05.097.60.19.4	ST10170104	05.097.60.20.4	ST10170105	212.5mm	337mm	243mm	300 Brake
05.097.60.39.4	ST10170308	05.097.60.40.4	ST10170309	311.5mm	436mm	342mm	300 Brake
05.097.60.11.4	ST10170096	05.097.60.12.4	ST10170097	337.5mm	462mm	368mm	300 Brake
05.097.60.43.4	ST10170112	05.097.60.44.4	ST10170113	380.5mm	505mm	411mm	300 Brake
05.097.60.01.4	ST10170086	05.097.60.02.4	ST10170087	395.5mm	520mm	426mm	300 Brake
05.097.60.15.4	ST10170100	05.097.60.16.4	ST10170101	422.5mm	547mm	453mm	300 Brake
05.097.60.13.4	ST10170098	05.097.60.14.4	ST10170099	457.5mm	582mm	488mm	300 Brake
05.097.60.03.4	ST10170088	05.097.60.04.4	ST10170089	469.5mm	594mm	500mm	300 Brake
05.097.60.09.4	ST10170094	05.097.60.10.4	ST10170095	509.5mm	634mm	540mm	300 Brake
05.097.60.07.4	ST10170092	05.097.60.08.4	ST10170093	522.5mm	647mm	553mm	300 Brake
05.097.60.23.4	ST10170106	05.097.60.24.4	ST10170107	548.5mm	673mm	579mm	300 Brake
05.097.60.05.4	ST10077000	05.097.60.06.4	ST10170091	557.5mm	682mm	588mm	300 Brake
05.097.60.49.4	ST10170310	05.097.60.50.4	ST10170311	567.5mm	692mm	598mm	300 Brake
05.097.60.45.4	ST10170312	05.097.60.46.4	ST10170313	582.5mm	707mm	613mm	300 Brake
05.097.60.41.4	ST10170110	05.097.60.42.4	ST10170111	598.5mm	723mm	629mm	300 Brake
05.097.60.17.4	ST10170102	05.097.60.18.4	ST10170103	615.5mm	740mm	646mm	300 Brake
05.097.60.47.4	ST10170114	05.097.60.48.4	ST10170115	638.5mm	763mm	669mm	300 Brake
05.097.60.25.4	ST10170108	05.097.60.26.4	ST10170109	648.5mm	773mm	679mm	300 Brake
05.097.60.21.4	ST10170314	05.097.60.22.4	ST10170315	675.5mm	800mm	706mm	300 Brake
05.097.60.37.4	ST10170316	05.097.60.38.4	ST10170317	698.5mm	823mm	729mm	300 Brake
05.097.60.31.4	ST10170318	05.097.60.32.4	ST10170319	723.5mm	848mm	754mm	300 Brake
05.097.60.33.4	ST10170320	05.097.60.34.4	ST10170321	748.5mm	873mm	779mm	300 Brake
05.097.60.35.4	ST10170322	05.097.60.36.4	ST10170323	798.5mm	923mm	829mm	300 Brake

Notes: BPW camshafts have numbers stamped on them, the last digit has changed over the years due to supersessions, all the latest numbers replace older models, Number ref: 0 = up to 04/1991 / 1 = 05/1991 - 12/1995 / 2 = 01/1996 - 02/2002 / 3 = 03/2002 - 2008 / 4 = from 2008  
For camshafts before 1996 contact your branch with axle details

## Complete Hub Assemblies



Single Part No. 

When Identifying from the axle code and axle type, you must check the number of wheel studs

ECO & ECO MAXX have the same axle codes, the difference is the ECO is a round hub and the ECO MAXX is star shaped as shown

Application	Axle Code	Size	Type	PCD	Studs	Hub Cap Thread	Part No.	Single Hub No.
ECO	xx.36.xxx.xxx / xx.38.xxx.xxx	6.5T - 9T	K	275	8 x M22	M125 x 2mm	ST10076310	03.272.28.56.0
ECO	xx.36.xxx.xxx / xx.38.xxx.xxx	6.5T - 9T	H	335	10 x M22	M125 x 2mm	ST10076286	03.272.30.87.0
ECO	xx.36.xxx.xxx / xx.38.xxx.xxx	8 - 9T	N, K	225	10 x M22	M125 x 2mm	ST10076309	03.272.27.41.0
ECO Maxx	xx.36.xxx.xxx / xx.38.xxx.xxx	6.5T - 9T	H, K, N	275	8 x M22	M125 x 2mm	ST10076313	03.272.28.70.0
ECO Maxx	xx.36.xxx.xxx / xx.38.xxx.xxx	6.5T - 9T	SKH	275	8 x M22	M125 x 2mm	ST10076319	03.272.28.71.0
ECO Maxx	xx.36.xxx.xxx / xx.38.xxx.xxx	6.5T - 9T	H, SKH, SH	335	10 x M22	M125 x 2mm	ST10076287	03.272.30.97.0
ECO Maxx	xx.36.xxx.xxx / xx.38.xxx.xxx	6.5T - 9T	SKH	335	10 x M22	M125 x 2mm	ST10076318	03.272.32.03.0
ECO Maxx	xx.36.xxx.xxx / xx.38.xxx.xxx	8 - 9T	N, K	225	10 x M22	M125 x 2mm	ST10076312	03.272.27.48.0
ECO Plus	xx.48.xxx.xxx	8 - 9T	K, SKH	275	8 x M22	M136 x 2.5mm	ST10076321	03.272.46.28.0
ECO Plus	xx.48.xxx.xxx	8 - 9T	SKH, SH, H, K	335	10 x M22	M136 x 2.5mm	ST10076289	03.272.43.10.0
ECO Plus 2	xx.58.xxx.xxx	8 - 9T	H, K, N, SH, SKH	275	8 x M22	M137 x Bayonet	ST10170301	03.272.46.33.0
ECO Plus 2	xx.58.xxx.xxx	8 - 9T	H, K, SH, SKH	335	10 x M22	M137 x Bayonet	ST10170137	03.272.43.29.0
ECO Plus 2	xx.58.xxx.xxx	8 - 9T	N	225	10 x M22	M137 x Bayonet	ST10170302	03.272.44.46.0

Notes: BPW Hubs are sold as complete assemblies, the single part number stamped on the side of the hub is for identification purposes only For the N series axle the ECO Maxx was fitted through to March 2013 and then the ECO Plus 2, The ECO Plus hub was never fitted.

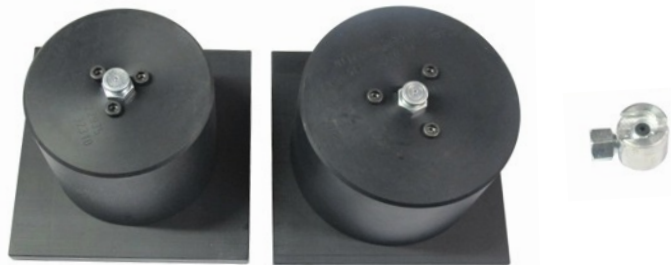
### Hub Grease



Part No.	Type	Size
ST10075043	Eco/ Eco Maxx	400grm
ST10075039	Eco/ Eco Maxx	2.5kg
ST10075040	Eco/ Eco Maxx	5kg
ST10075041	Eco/ Eco Maxx	15kg
ST10075042	Eco/ Eco Maxx	50kg
ST10075046	Eco Plus / 2	400grm
ST10170151	Eco Plus / 2	5kg
ST10075048	Eco Plus / 2	25kg

Notes:

### Grease Bearing Applicator

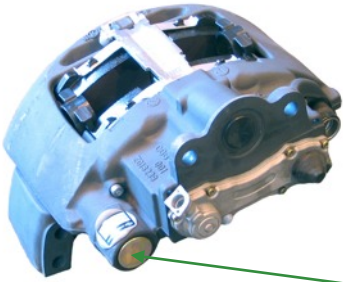


BPW Part No.	Description
ST10170303	For 6.5-9 Ton hubs or bearings s 33116 & 32310
ST10170304	For 10-12 Ton & ECO Plus 2 Hubs or bearings 33118 & 33213
ST10170305	Grease Nipple

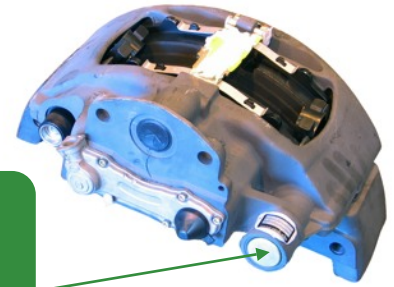
Notes:

# BPW Components

## Brake Calipers & Brake Pads



ST10076140  
ST10076142  
ST10076434  
ST10170257  
ST10076144  
ST10076147



ST10076138  
ST10076143  
ST10076435  
ST10170256  
ST10076145  
ST10171111

Axle Code	Type	Carrier	Wheel Size	Caliper	L/H Caliper	R/H Caliper	Brake Pads	Date	Axle
xx.xx.610.xxx	SB3745	5/6 Bolt	370mm (19.5")	(KB) SN6	ST10076140	ST10076138	ST10170133	1996 - April 2003	Rigid
26.xx.610.xxx	SB3745	5/6 Bolt	370mm (19.5")	(KB) SN6	*ST10076145	*ST10076144	ST10170133	1996 - April 2003	Steering
xx.xx.609.xxx	SB4345	5/6 Bolt	430mm (22.5")	(KB) SN7	ST10076143	ST10076142	ST10170135	1996 - April 2003	Rigid
xx.xx.612.xxx	SB3745T	4 Bolt	370mm (19.5")	(KB) SN6	ST10171111	ST10076147	ST10170133	May 2003 - Dec 2009	Rigid
xx.xx.613.xxx	SB4309T	4 Bolt	430mm (22.5")	(KB) SK7	ST10170256	ST10170257	ST10170134	May 2003 - Dec 2009	Rigid
xx.xx.614.xxx	SB4345T	4 Bolt	430mm (22.5")	(KB) SN7	ST10076435	ST10076434	ST10170135	May 2003 - Dec 2009	Rigid
xx.xx.616.xxx	TSB3709T	4 Bolt	370mm (19.5")	BPW	ST10170130	ST10170131	ST10170207	Jan 2010 onwards	Rigid
xx.xx.617.xxx	TSB4309T	4 Bolt	430mm (22.5")	BPW	ST10171105	ST10170206	ST10171099	Jan 2010 onwards	Rigid

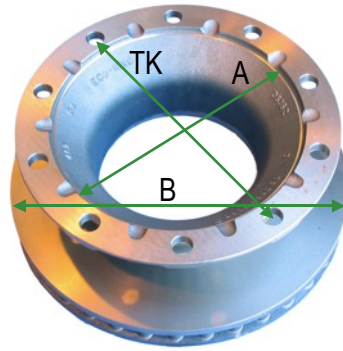
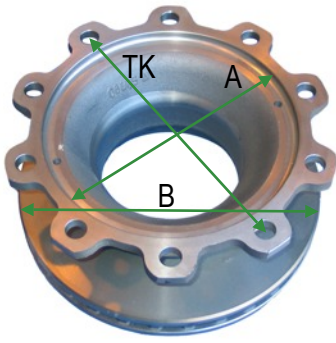
Notes: BPW Calipers are supplied complete as a caliper, carrier and brake pads

\*Only available as a rationalised unit, no pads or carrier

It is important to note that the L/H caliper could be mounted on the right hand side of the vehicle. This situation could also apply to the right hand caliper due to the installation of the axle. Therefore it is recommended to confirm caliper I/D by the position of the ID Plate.

# BPW Components

## Brake Discs



O/E Part No	Part No.	Type	BPW No	Caliper Ref	Comments	Studs	A	B	TK	Fitted
03.088.35.05.7	ST10075286	SH	xx.xx.613.xxx	SB4309T	Non ABS Version	10x23mm	290mm	430mm	335	From 05/2003
03.088.35.05.7	ST10075286	SH	xx.xx.614.xxx	SB4345T	Non ABS Version	10x23mm	290mm	430mm	335	From 05/2003
03.088.35.01.7	ST10075285	SH	xx.xx.609.xxx	SB4345	ABS Version	10x23mm	290mm	430mm	335	1996 - 04/2003
03.088.34.10.7	ST10170158	SKH	xx.xx.612.xxx	SB3745T	Non ABS Version	10x23mm		370mm	335	From 05/2003
03.088.34.13.7	ST10075284	SKH	xx.xx.612.xxx	SB3745T	ABS Version	10x23mm		370mm	335	From 05/2003
03.088.34.01.7	**	SKH	xx.xx.610.xxx	SB3745	Non ABS Version	8x23mm	230mm	370mm	275	1996 - 04/2003
03.088.34.03.0	ST10075278	SKH	xx.xx.610.xxx	SB3745	ABS Version	8x23mm	230mm	370mm	275	1996 - 04/2003
03.088.34.04.7	*ST10075280	SKH	xx.xx.610.xxx	SB3745	ABS Version	10x23mm	290mm	370mm	335	1996 - 04/2003
03.088.34.06.7	*ST10170157	SKH	xx.xx.610.xxx	SB3745	Non ABS Version	10x23mm	290mm	370mm	335	1996 - 04/2003
03.088.34.08.7	ST10075282	SKH	xx.xx.610.xxx	SB3745	Off set Hub (B Hub)	10x23mm		370mm	335	1996 - 04/2003
03.088.34.15.7	ST10170327	SKH	xx.xx.616.xxx	TSB3709T	Non ABS Version	8x23mm		370mm	275	From Jan 2010
03.088.34.16.7	ST10170328	SKH	xx.xx.616.xxx	TSB3709T	ABS Version	8x23mm		370mm	275	From Jan 2010
03.088.34.14.7	ST10170329	SKH	xx.xx.616.xxx	TSB3709T	Non ABS Version	10x23mm		430mm	335	From Jan 2010
03.088.34.17.7	ST10170330	SKH	xx.xx.616.xxx	TSB3709T	ABS Version	10x23mm		430mm	335	From Jan 2010
03.088.35.05.7	ST10075286	SH	xx.xx.617.xxx	TSB4309T	Non ABS Version	10x23mm	290mm	430mm	335	From Jan 2010

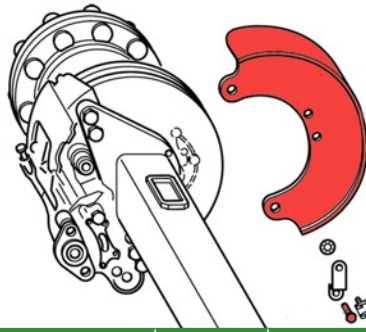
Notes: part number is stamped on the outer edge

\* ABS version can replace the non abs

\*\* Replaced by ABS version ST10075278

# BPW Components

## Brake Disc Dust Covers



Type	Beam Dia	Part No .	Cover Stamp No.	Type	Axle Code	Axle Type	Date
SKH	120mm	ST10076295	03.010.91.53.0	SB3745	xx.xx.610.xxx	Rigid Axle	1996 - 04/2003
SKH	120mm	ST10170331	03.010.91.58.0, 03.010.91.59.0	SB3745	xx.xx.610.xxx	Steering Axle	1996 - 04/2003
SKH	120mm	ST10170196	03.010.91.74.0	SB3745T	xx.xx.612.xxx	Rigid & Steering Axles 9 Ton	05/2003 - 12/2009
SKH	120mm	ST10170332	03.010.91.79.0, 03.010.91.80.0	SB3745T	xx.xx.612.xxx	Rigid Axles 10 Ton	05/2003 - 12/2009
SKH	120mm	ST10170333	03.010.91.75.0	SB3745T	xx.xx.612.xxx	Rigid & Steering Axles (Offset Hub)	05/2003 - 12/2009
SKH	120mm	ST10170334	03.010.71.05.0	SB3745T	xx.xx.612.xxx	Rigid & Steering Axles (Offset Hub)	05/2003 - 12/2009
SH	120mm	ST10170185	03.010.91.76.0	SB4309T	xx.xx.613.xxx	Rigid & Steering Axles	05/2003 - 12/2009
SH	120mm	ST10170335	03.010.91.77.0	SB4309T	xx.xx.613.xxx	Rigid & Steering Axles (Offset Hub)	05/2003 - 12/2009
SH	120mm	ST10170336	03.010.71.06.0	SB4309T	xx.xx.613.xxx	Rigid & Steering Axles (Offset Hub)	05/2003 - 12/2009
SH	120mm	ST10170337	03.010.91.62.0	SB4345	xx.xx.609.xxx	Rigid Axle	1996 - 04/2003
SH	150mm	ST10170338	03.010.91.63.0	SB4345	xx.xx.609.xxx	Rigid Axle	1996 - 04/2003
SH	120mm	ST10170185	03.010.91.76.0	SB4345T	xx.xx.614.xxx	Rigid & Steering Axles	05/2003 - 12/2009
SH	150mm	ST10170339	03.010.91.78.0	SB4345T	xx.xx.614.xxx	Rigid & Steering Axles	05/2003 - 12/2009
SKH	120mm	ST10170340	03.010.71.59.0, 03.010.71.60.0	TSB3709T	xx.xx.616.xxx	Rigid Axle	01/2010 on
SKH	120mm	ST10170341	03.010.71.64.0	TSB3709T	xx.xx.616.xxx	Steering Axle	01/2010 on
SH	120mm	ST10170182	03.010.71.61.0, 03.010.71.62.0	TSB4309T	xx.xx.617.xxx	Rigid Axle	01/2010 on
SH	120mm	ST10170342	03.010.71.63.0	TSB4309T	xx.xx.617.xxx	Steering Axle	01/2010 on
SH	150mm	ST10170343	03.010.71.57.0, 03.010.71.58.0	TSB4312T	xx.xx.618.xxx	Rigid Axle	01/2010 on

Notes: Dust cover assemblies comes with hexagon bolts M10x15 Part No ST10075103

Brake pad protector, suits all applications up to Dec 2009 - Part No ST10075234

Brake pad protector, suits all applications From Jan 2010 - Part No ST10075234

# BPW Components

## Drum Brake Dust Covers



Dust covers are sold as axle sets with each segment having a part number stamped on the side

Use the cover numbers below to identify set part no. required

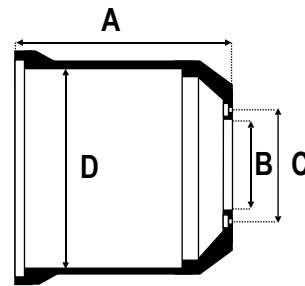
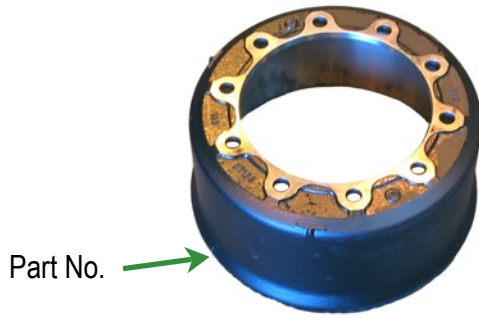
Set Part No.	Axle Code	Date	Drum Size	Cover 1	Cover 2	Cover 3	Cover 4
ST10076356	710 / 714	1983-1985	420 x 180mm	03.010.98.45.1	03.010.98.08.1	03.010.98.46.1	03.010.98.09.1
ST10076370	710 / 714	1983-1985	420 x 180mm	03.010.99.34.0	03.010.99.33.0	03.010.99.36.0	03.010.99.35.0
ST10076363	710 / 714	1983-1985	420 x 180mm	03.010.98.91.0	03.010.98.12.0	03.010.98.92.0	03.010.98.13.0
ST10170344	743	95 on	420 x 180mm	03.010.99.93.0	03.010.99.94.0	03.010.99.91.0	03.010.99.92.0
ST10170205	743	95 on	420 x 180mm	03.010.99.59.0	03.010.99.60.0	03.010.99.57.0	03.010.99.58.0
ST10171113	743	95 on	420 x 180mm	03.010.71.93.0	03.010.71.94.0	03.010.71.91.0	03.010.71.92.0
ST10170345	743	95 on	420 x 180mm	03.010.99.67.0	03.010.99.68.0	03.010.99.65.0	03.010.99.66.0
ST10170346	743	95 on	420 x 180mm	03.010.71.87.0	03.010.71.86.0	03.010.71.85.0	03.010.71.84.0
ST10076360	718 / 723	1983-1985	420 x 200mm	03.010.98.51.1	03.010.98.16.0	03.010.98.52.1	03.010.98.17.0
ST10076371	718 / 723	1983-1985	420 x 200mm	03.010.99.42.0	03.010.99.41.0	03.010.99.44.0	03.010.99.43.0
ST10076358	718 / 723	1983-1985	420 x 200mm	03.010.98.47.1	03.010.98.94.0	03.010.98.48.1	03.010.98.95.0
ST10170347	744	95 on	420 x 200mm	03.010.99.55.0	03.010.99.56.0	03.010.99.53.0	03.010.99.54.0
ST10170348	744	95 on	420 x 200mm	03.010.81.15.0	03.010.81.16.0	03.010.81.13.0	03.010.81.14.0
ST10170349	744	95 on	420 x 200mm	03.010.91.37.0	03.010.91.38.0	03.010.91.35.0	03.010.91.36.0
ST10076377	744	95 on	420 x 200mm	03.010.99.63.0	03.010.99.64.0	03.010.99.61.0	03.010.99.62.0
ST10170350	744	95 on	420 x 200mm	03.010.81.19.0	03.010.81.20.0	03.010.81.17.0	03.010.81.18.0
ST10076361	739	1983-1985	420 x 220mm	05.010.98.49.1	05.010.98.20.0	05.010.98.50.1	05.010.98.21.0
ST10170373	745	95 on	420 x 220mm	05.010.91.21.0	05.010.91.22.0	05.010.91.24.0	05.010.91.23.0
ST10076382	542	1983-1985	360 x 160mm	03.010.91.10.0	03.010.91.09.0	03.010.91.12.0	03.010.91.11.0
ST10076381	551	95 on	360 x 160mm	03.010.99.79.0	03.010.99.80.0	03.010.99.77.0	03.010.99.78.0
ST10076366	546	1983-1985	360 x 200mm	03.010.96.67.0	03.010.96.68.0	03.010.96.70.0	03.010.96.69.0
ST10076381	552	95 on	360 x 200mm	03.010.99.79.0	03.010.99.80.0	03.010.99.77.0	03.010.99.78.0
ST10170352	592	1983-1985	300 x 150mm	03.010.91.08.0	03.010.91.07.0	03.010.91.06.0	03.010.91.05.0
ST10170353	501	95 on	300 x 150mm	03.010.99.83.0	03.010.99.84.0	03.010.99.81.0	03.010.99.82.0
ST10076380	596	1983-1985	300 x 200mm	03.010.91.02.0	03.010.91.01.0	03.010.91.03.0	03.010.91.04.0
ST10076383	502	95 on	300 x 200mm	03.010.99.87.0	03.010.99.88.0	03.010.99.85.0	03.010.99.86.0

Notes: All dust cover kits come with mounting kits



# BPW Components

## Brake Drums



O/E Part No	Part No.	Axle Codes	A	B	C	D	Studs	Application
03.109.67.13.0	ST10075315	710 / 714 / 743	226mm	290mm	335mm	420mm	10	Eco
03.109.67.79.0	ST10170012	710 / 714 / 743	226mm	290mm	335mm	420mm	10	Maxx / Eco Maxx / Eco Plus / Eco Plus 2
03.109.67.78.0	ST10170198	710 / 714 / 743	249mm	290mm	335mm	420mm	10	Maxx / Eco Maxx / Eco Plus / Eco Plus 2
03.109.67.74.0	ST10075318	710 / 714 / 743	252mm	290mm	335mm	420mm	10	
03.109.77.16.0	ST10075319	718 / 723 / 744	260mm	290mm	335mm	420mm	10	Eco
03.109.77.42.0	ST10170250	718 / 723 / 744	259mm	290mm	335mm	420mm	10	Maxx / Eco Maxx / Eco Plus / Eco Plus 2
03.109.77.43.0	ST10170194	718 / 723 / 744	284mm	290mm	335mm	420mm	10	Maxx / Eco Maxx / Eco Plus / Eco Plus 2
03.109.77.44.0	ST10170013	718 / 723 / 744	287mm	290mm	335mm	420mm	10	
03.109.90.03.0	ST10075325	546 / 552	260mm	230mm	275mm	360mm	8	Eco Maxx / Eco Plus / Eco Plus 2
03.109.90.22.0	ST10075327	546 / 552	263mm	230mm	275mm	360mm	8	Eco Maxx / Eco Plus / Eco Plus 2
03.109.90.04.0	ST10075326	546 / 552	260mm	190mm	225mm	360mm	10	Eco Maxx / Eco Plus / Eco Plus 2
03.109.90.24.0	ST10075328	546 / 552	263mm	190mm	225mm	360mm	10	Eco Maxx / Eco Plus / Eco Plus 2
03.105.46.27.0	ST10075302	586 / 596 / 502	315mm	185mm	225mm	300mm	10	
03.109.46.49.0	ST10075314	586 / 596 / 502	260mm	190mm	225mm	300mm	10	Eco
03.109.46.06.0	ST10075312	586 / 596 / 502	260mm	190mm	225mm	300mm	10	Maxx / Eco Maxx
03.109.46.40.0	ST10075313	586 / 596 / 502	295mm	190mm	225mm	300mm	10	Eco

Notes

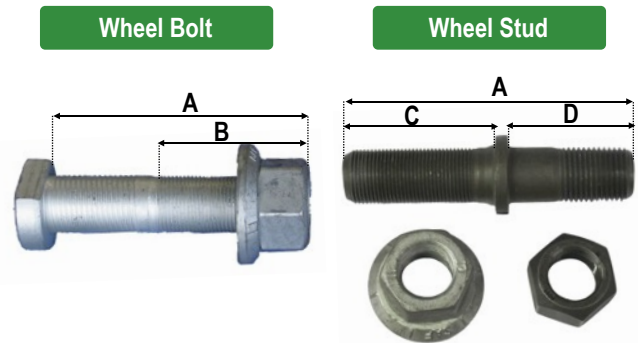
## ABS Sensors 80 - 100 Tooth



Description	Part No.
90 Deg Sensor	ST10075061
Straight Sensor	ST10075062
ABS Sensor Bush	ST10075025
Silicone Grease 5grm	ST10075038

Notes: For sensor brackets, contact your local branch with axle code details for correct identification

## Wheel Studs



Description	Sizes	Part No.	Part No.
-------------	-------	----------	----------

Notes: For wheel studs contact your local branch with the following information

1. Spanner Size
2. Stud or Bolt
3. Twin or Single Wheel
4. Alloy or Steel Wheel
5. Measurements A, B, C, D

## Disc Brake Chambers



Single Diaphragm (RH)



Double Diaphragm (RH)



Piston Spring (RH)

Style	Type	Ports	Left Hand Ref	Left Hand No.	Right Hand Ref	Right Hand No.
Single Diaphragm	14	M16 x 1.5	05.444.30.02.0	ST10076199	05.444.30.01.0	ST10076198
Single Diaphragm	15	M16 x 1.5	05.444.31.02.0	ST10170165	05.444.31.01.0	ST10076200
Single Diaphragm	16	M16 x 1.5	05.444.32.02.0	ST10170167	05.444.32.01.0	ST10170166
Single Diaphragm	18	M16 x 1.5	05.444.33.02.0	ST10076205	05.444.33.01.0	ST10076204
Single Diaphragm	20	M16 x 1.5	05.444.34.02.0	ST10076207	05.444.34.01.0	ST10076206
Single Diaphragm	22	M16 x 1.5	05.444.35.02.0	ST10170354	05.444.35.01.0	ST10170355
Single Diaphragm	24	M16 x 1.5	05.444.36.02.0	ST10170356	05.444.36.01.0	ST10170357
Double Diaphragm	14/24	M16 x 1.5	05.444.38.02.0	ST10170169	05.444.38.01.0	ST10170168
Double Diaphragm	15/24	M16 x 1.5	05.444.39.02.0	ST10170171	05.444.39.01.0	ST10170170
Double Diaphragm	16/24	M16 x 1.5	05.444.40.02.0	ST10170173	05.444.40.01.0	ST10170172
Double Diaphragm	18/24	M16 x 1.5	05.444.42.02.0	ST10076217	05.444.42.01.0	ST10076216
Double Diaphragm	20/24	M16 x 1.5	05.444.44.02.0	ST10170181	05.444.44.01.0	ST10170180
Piston Spring	16/16	M16 x 1.5	05.444.41.04.0	*ST10170175	05.444.41.03.0	*ST10170174
Piston Spring	20/24	M16 x 1.5	05.444.43.02.0	**ST10076219	05.444.43.01.0	**ST10170176
Piston Spring	20/24	M16 x 1.5	05.444.43.04.0	*ST10076437	05.444.43.03.0	*ST10076436
Piston Spring	22/24	M16 x 1.5	05.444.45.02.0	**ST10170367	05.444.45.01.0	**ST10170368
Piston Spring	24/24	M16 x 1.5	05.444.46.04.0	*ST10170369	05.444.46.03.0	*ST10170370

Notes: Brake chambers like calipers can be mounted either side, check the images above and the location of the ports (Right Hand Shown Above)

\*Brake chambers for overslung trailing arm

\*\*Brake chamber for underslung trailing arm with the air tube rotated 180 deg

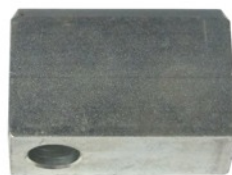
### Air Connection Mounting



Part No.	Application
ST10075797	Double Diaphragm
ST10075798	Piston Spring

Notes: Double Diaphragm type shown (offset)

### Steering Lock Block



Part No. ST10075248

Notes:

### Trailing Arm Bushes



Bolt Hole	Length	Part No.
24mm	70mm	ST10170001
30mm	70mm	ST10075023
30mm	100mm	ST10075029

Notes:

# BPW Components

## Air Springs



**Air Spring (Complete)**



**Air Bellow (no base plate)**

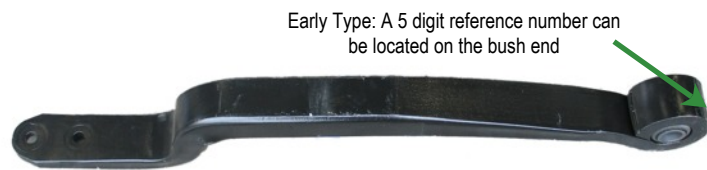
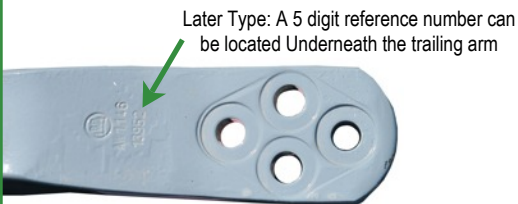


**Base Plate**

Type	Ref	Air Spring Part No.	Air Bellow Ref	Air Bellow Part No.	Base Plate Part No.
30	941 MB	ST10170153	05.429.40.03.0	ST10076175	ST10076248
36	881 MB	ST10170155	05.429.40.01.0	ST10076174	ST10076251
30K	940 MB	ST10170154	05.429.40.91.0	ST10076178	ST10076249
36K	4881 N	ST10076190	05.429.41.01.0	ST10076179	ST10076250
30-1	951 MB	ST10076185	05.429.40.72.0	ST10076177	n/a
36-1	942 MB	ST10076183	05.429.40.05.0	ST10076176	n/a

Notes: Part No. Located on the air bellow is for the air bellow without base plate

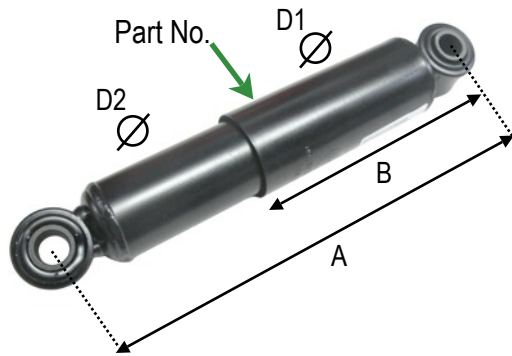
## Trailing Arms & Catch Plates



Ref No.	Trailing Arm	Catch Plate	Catch Plate	Pivot Bolt	Width	Suspension
12930	ST10075842	05.348.30.05.0	ST10170264	M30	100mm	SLM Rigid Axle
13520	ST10075857	03.348.30.64.0	ST10170028	M30	100mm	ALM Rigid Axle
13880	ST10075871	05.348.30.37.0	ST10170033	M30	70mm	ALII Rigid Axle
13882	ST10170036	05.348.30.37.0	ST10170033	M24	70mm	ALII Rigid Axle
13890	ST10075873	05.348.30.36.0	ST10170358	M30	70mm	ALII Rigid Axle
13892	ST10170037	05.348.30.36.0	ST10170358	M24	70mm	ALII Rigid Axle
13910	ST10075875	05.348.30.38.0	ST10076132	M30	70mm	ALII Steering Axle (RH)
13912	ST10170039	05.348.30.38.0	ST10076132	M24	70mm	ALII Steering Axle (RH)
13920	ST10075876	05.348.30.39.0	ST10076133	M30	70mm	ALII Steering Axle (LH)
13922	ST10170040	05.348.30.39.0	ST10076133	M24	70mm	ALII Steering Axle (LH)
13930	ST10075877	05.348.30.40.0	ST10076134	M30	70mm	ALII Steering Axle (RH)
13932	ST10170041	05.348.30.40.0	ST10076134	M24	70mm	ALII Steering Axle (RH)
13940	ST10075878	05.348.30.41.0	ST10076135	M30	70mm	ALII Steering Axle (LH)
13942	ST10170248	05.348.30.41.0	ST10076135	M24	70mm	ALII Steering Axle (LH)
13950	ST10075879	05.348.30.37.0	ST10170033	M30	70mm	ALII Rigid Axle
13952	ST10170042	05.348.30.37.0	ST10170033	M24	70mm	ALII Rigid Axle
13960	ST10076424	05.348.30.36.0	ST10170358	M30	70mm	ALII Rigid Axle
13962	ST10170043	05.348.30.36.0	ST10170358	M24	70mm	ALII Rigid Axle

Notes: Popular trailing arms listed for other part numbers contact your local branch  
For U bolts & saddles contact your local branch with axle code details

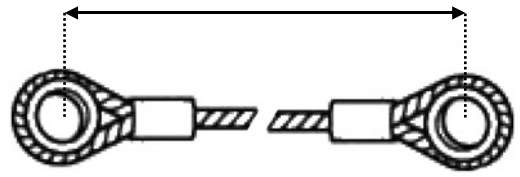
## Shock Absorbers



BPW Part No.	Part No.	Closed A (mm)	Open A (mm)	B (mm)	D1 (mm)	D2 (mm)
02.3722.79.02	ST10171112	287	412	204	75	65
02.3722.89.02	ST10170199	292	432	214	82	72
02.3722.83.02	ST10170359	326	496	225	82	72
02.3722.83.00	ST10170359	326	496	235	75	65
02.3722.04.02	ST10170360	326	496	235	82	72
02.3722.14.00	ST10170359	326	496	235	83	73
02.3722.63.00	*ST10170361	336	501	210	92	80
02.3722.64.00	*ST10075076	336	501	210	92	80
02.3702.92.00	ST10170197	351	541	335	82	72
02.3702.20.02	ST10075067	426	696	325	82	72
02.3702.51.02	ST10075068	430	700	320	75	66
02.3702.67.02	ST10075071	466	766	380	75	66
02.3702.60.02	ST10075070	475	795	390	82	72
02.3702.18.02	ST10170362	475	800	390	82	72
02.3722.62.00	ST10170363	536	906	440	75	66

Notes: \*With PDC 02.3722.63.00 for air Bag Type 30  
\*With PDC 02.3722.64.00 for air Bag Type 36

## Catch Straps

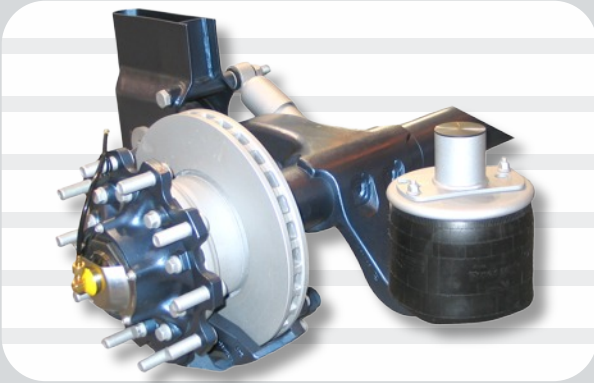


Part No.	Length
ST10170364	730mm
ST10076118	865mm
ST10076109	940mm
ST10076110	1010mm
ST10076111	1060mm
ST10076108	1120mm
ST10076107	1160mm
ST10076106	1220mm
ST10076114	1270mm
ST10076113	1330mm
ST10076121	1350mm
ST10076113	1330mm
ST10076121	1350mm
ST10076119	1390mm
ST10076115	1415mm
ST10076112	1455mm
ST10076116	1500mm
ST10076117	1550mm
ST10076120	1570mm
ST10170365	1685mm
ST10170366	1775mm

Notes:

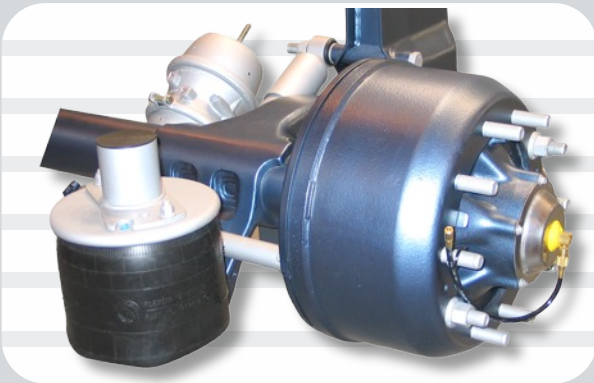


# Meritor Components



Meritor is a leading global supplier of a broad portfolio of axle, brake and suspension solutions to original equipment manufacturers and the aftermarket for the transportation and industrial sectors.

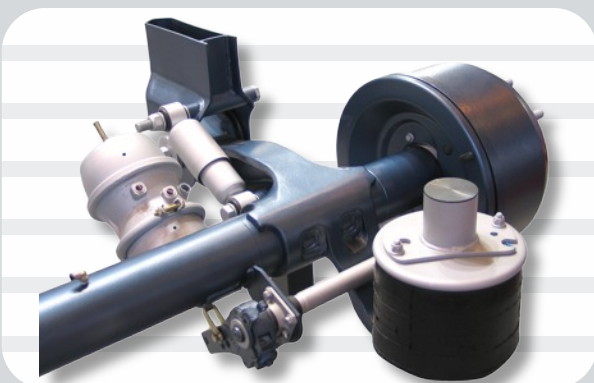
With more than a 100-year legacy of providing innovative products that offer superior performance, efficiency and reliability, the company serves commercial truck, trailer, off highway, defence, specialty and aftermarket customers in more than 70 countries. Common stock is traded on the New York Stock Exchange under the ticker symbol MTOR.



We recognize that fleet operators need vehicles that can perform reliably and cost effectively.

These vehicles perform important duties: making commercial deliveries on time, keeping children safe on school buses, and responding promptly to fires and accidents.

Meritor axles help fleets enhance mobility and maximize vehicle uptime through superior engineering and materials. Our products offer greater strength at lighter weights for increased payloads and higher operating efficiencies.



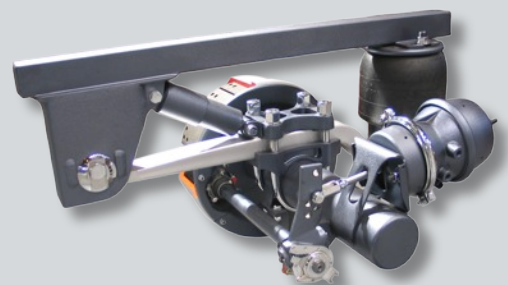
## CS9 Features & benefits

High durability trailing arm air suspension for trailer applications.

The suspension accommodates both disc and drum brakes  
The direct trailing arm joint to the axle eliminates 'U' bolts, effectively removing maintenance and weight.

The trailing arms feature a 'C' cross sectional profile which provides a more efficient engineering structure and further reduces suspension weight.

The suspension provides 'road friendly' levels of damping, stiffness and axle load equalisation. Pivot tracking is standard. The hanger bracket will directly mount to a 80mm chassis flange width.



# Meritor Axle Plates

All axles listed in this catalogue are rigid  
 To identify the correct axle you only need to get information for tables B & I, this is located on all axle pages, when you are on the correct page other information may be required (date of manufacture, Single or Twin wheel, 8 or 10 Stud, etc)

AXLE & SUSPENSION

Table A		
Axle Code	ABS	Manufacturer
A	45 - 60 Tooth	Grau, Bendix
W	80 - 100 Tooth	Wabco, Grau, Bendix, Bosch

Notes: Axle code only appears on ABS axles

Table B
Axle Model
TE
TM
LM
LC
TA
TC

Notes:

Table C	
Axle Code	Axle
(-)	Rigid
S	Self Steer
C	Command

Notes:

Table D	
Axle Code	Wheel
S	Single Wheel
T	Twin Wheel

Notes:

Table L	
Serial Number	
E585196	

Notes:

Table K	
Axle Code	Month
A	Jan
B	Feb
C	March
D	April
E	May
F	June
G	July
H	Aug
I	Sept
J	Oct
K	Nov
L	Dec

Notes:

Table J	
Axle Code	Year
94	1994
96	1996
98	1998

Notes:

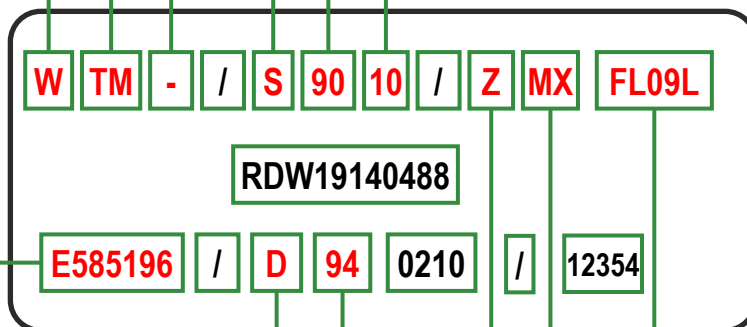


Table E	
Axle Code	Axle Weight
90	9 ton
11	11 ton

Notes:

Table F	
Axle Code	Wheel Studs
8	8 Stud
10	10 Stud

Notes:

Table G	
Axle Code	Suspension
FL09L	FL9000L
FL11L	FL11000L

Notes:

Table I	
Axle Code	Brake Type / Size
AC	310mm x 190mm (Drum)
B	350mm x 200mm (Drum)
Q	420mm x 180mm (Drum)
ZA	420mm x 200mm (Drum)
Z	420mm x 220mm (Drum)
AA	380mm x 180mm (Drum)
H	DX195 (Disc)
E	ELSA 2 (Disc)
K	ELSA 195 (Disc)
D	D DUCO (Disc)
J	ELSA 225-2 (Disc)

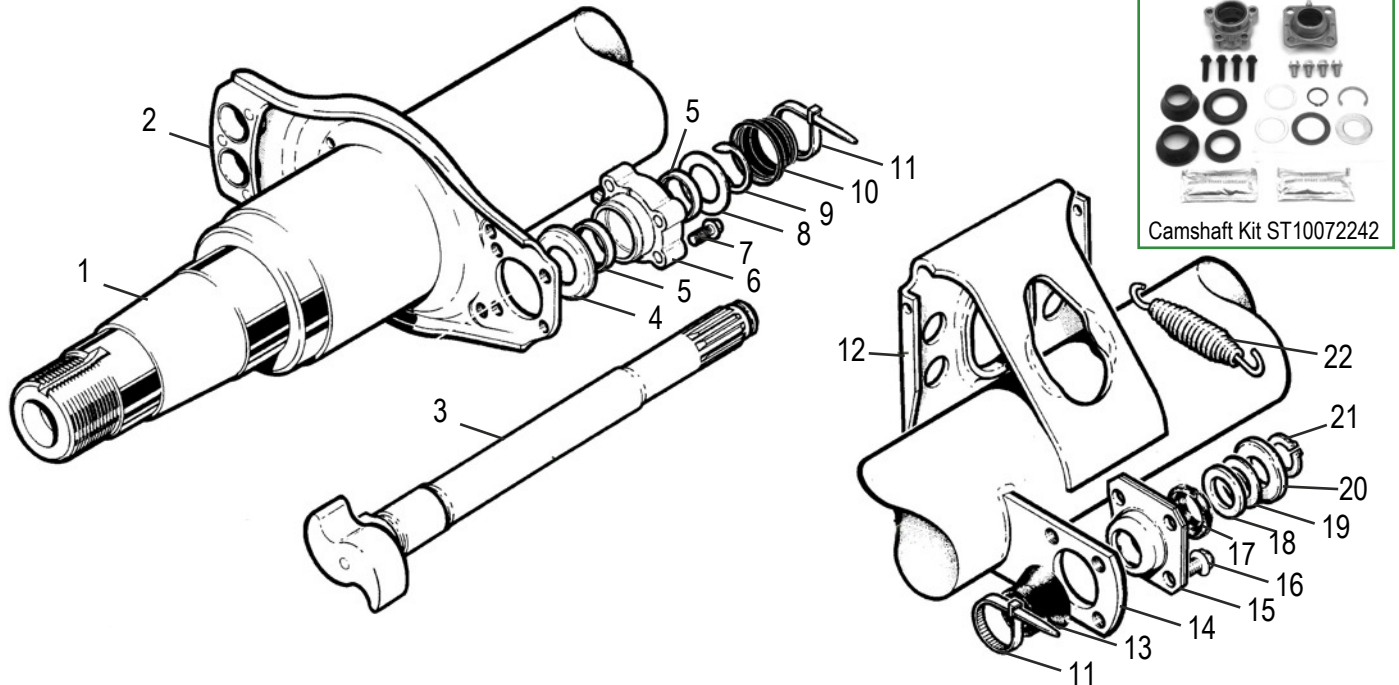
Notes:

Table H	
Axle Code	Wheel Mounting Type
S	7/8" BSF (SMMT)
M	M22mm x 1.5mm Metric (DIN)
J	Trilex Type
MX	ISO 4107 type with M22 x 1.5mm Wheel Bolts
MXA	ISO 4107 type with M22 x 1.5mm Wheel Bolts

Notes:

# Meritor Components

Meritor TM Camshaft Assembly			
Model	Type	Axle Codes	Date of Manufacture
TM	Drum	xTMx/xxxxxx/ACMX (310 x 190mm), xTMx/xxxxxx/BMX (350 x 200mm) xTMx/xxxxxx/QMX (420 x 180mm), xTMx/xxxxxx/ZMX (420 x 220mm)	April 2001 on
Notes:			



Item	Description	Part No.
1	Axle Beam	NSS
2	Anchor Bracket Fabricated	NSS
3	Camshafts	See Page 1.70
4	Washer Seal	*NSS
5	Lip Seal (included in Cam Head Bearing Assembly)	*NSS
6	Cam Head Bearing Assembly	*NSS
7	Screw, Bearing, Cam End M10 x 1.5mm x 16mm	*NSS
8	Washer	ST10079513
9	Snap Ring	ST10079321
10	Boot, Cam End	*NSS
11	Tie Wrap	ST10079306
12	Air Chamber Bracket	ST10079304
13	Inner Boot, Spline End	ST10079361
14	Camshaft Bracket	ST10079310
15	Spline End Bearing Assembly	ST10072587
16	Screw, Bearing, Spline End M10 x 1.5mm x 20mm	*NSS
17	Outer Boot, Spline End	*NSS
18	Washer, Spacing, Thick	ST10072593
19	Washer, Spacing, Thin	ST10072592
20	Retaining Washer	ST10072517
21	Circlip	ST10073359
22	Assister Spring	ST10071132
	25g Sachet MERITOR Grease (not shown)	ST10079322
	Grease Nipple Dust Cap (not shown)	Obsolete

Notes: Meritor grease must be used with items 6 & 15  
\*NSS Not sold separately available in camshaft kit ST10072242

# Meritor Components

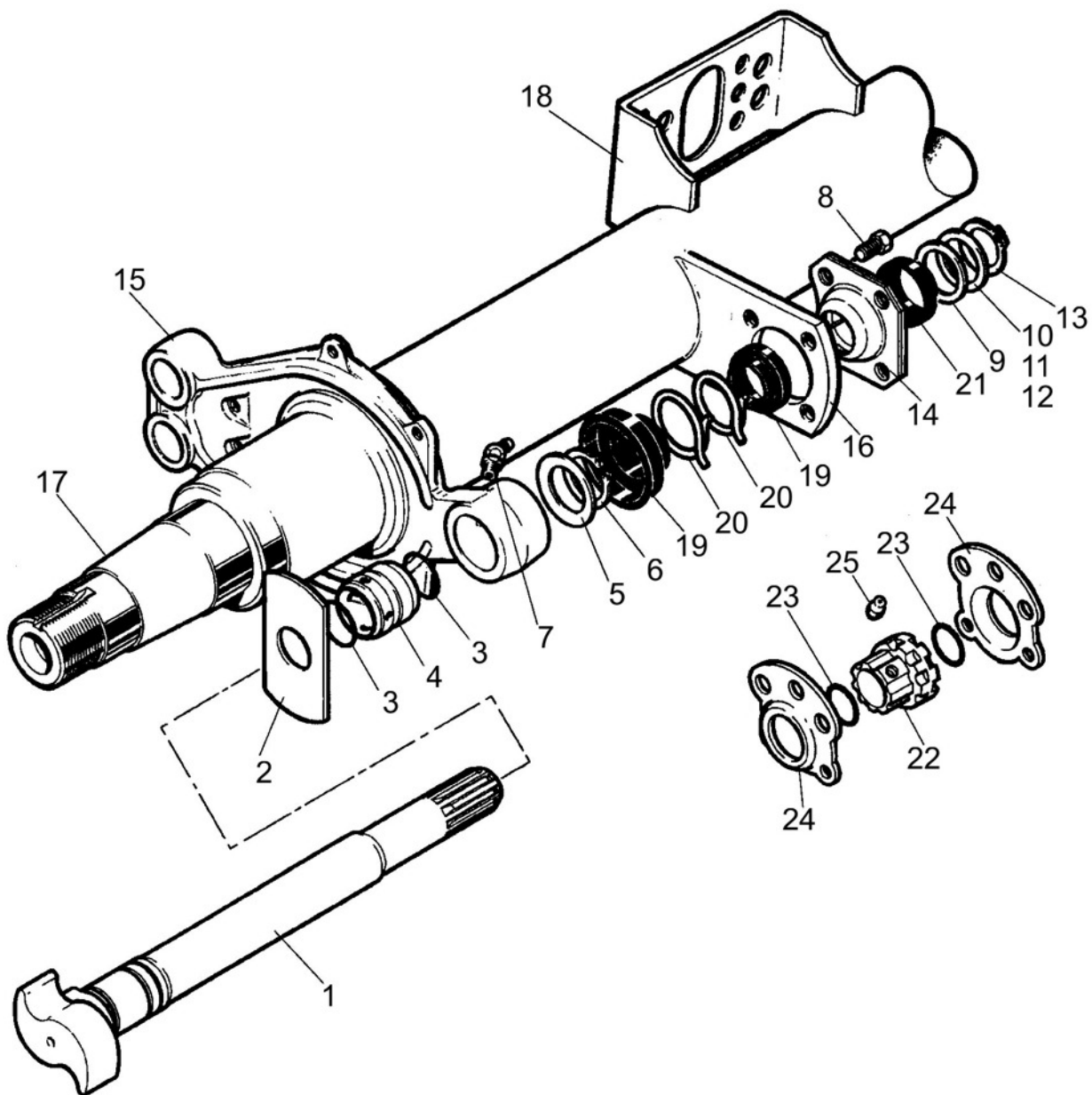
## Meritor TM Camshaft Assembly

Model	Type	Axle Codes	Date of Manufacture
TM	Drum	xTMx/xxxxxx/ACMX (310 x 190mm), xTMx/xxxxxx/BMX (350 x 200mm)	Up to March 2001

Notes: Item 15 shows cast bracket



Camshaft Kit ST10071137





# Meritor Components

Meritor TM Camshaft Assembly			
Item	Description	Part No.	Part No.
		310 x 190mm	350 x 200mm
		RW9/13	RW21/22
1	Camshafts	See Page 1.70	
2	Cam Washer	ST10072799	ST10072799
3	O Ring	ST10079352	ST10079352
4*	Bush - Phosphor Bronze Stepped Cam	ST10072350	ST10072350
5	Washer - Bevel	ST10079298	ST10079298
6	Circlip	ST10072658	ST10072658
7	Grease Nipple	ST10079299	Obsolete
8	Screw M10 x 1.5mm x 20mm	Obsolete	Obsolete
9	Washer	ST10072654	ST10072654
10	Washer - Spacer	ST10072592	ST10072592
11	Washer	ST10072593	ST10072593
12	Washer - Rolled Spline C/Shfts Only	ST10072517	ST10072517
13	Circlip - Rolled Spline C/Shfts	ST10073359	ST10073359
13	Circlip	ST10072591	ST10072591
14	Spherical Bearing assembly	ST10072587	ST10072587
15	Anchor Bracket	NSS	NSS
16	Camshaft Bracket	ST10079301	Obsolete
17	Axle Beam	NSS	NSS
18	Air Chamber Bracket	ST10079303	ST10079304
19	Rubber Boot - Large	ST10079361	ST10079361
20	Cable Tie	ST10079306	ST10079306
21	Rubber Boot - Short	Obsolete	Obsolete
22	Spherical Bearing - Nylon	ST10079308	
23	O Ring	ST10079362	
24	Housing Spherical Bearing	ST10079309	
25	Grease Nipple	ST10079299	
	Manual Slack Adjuster - 4 Hole Metric (Not Shown)	ST10071046	ST10071046

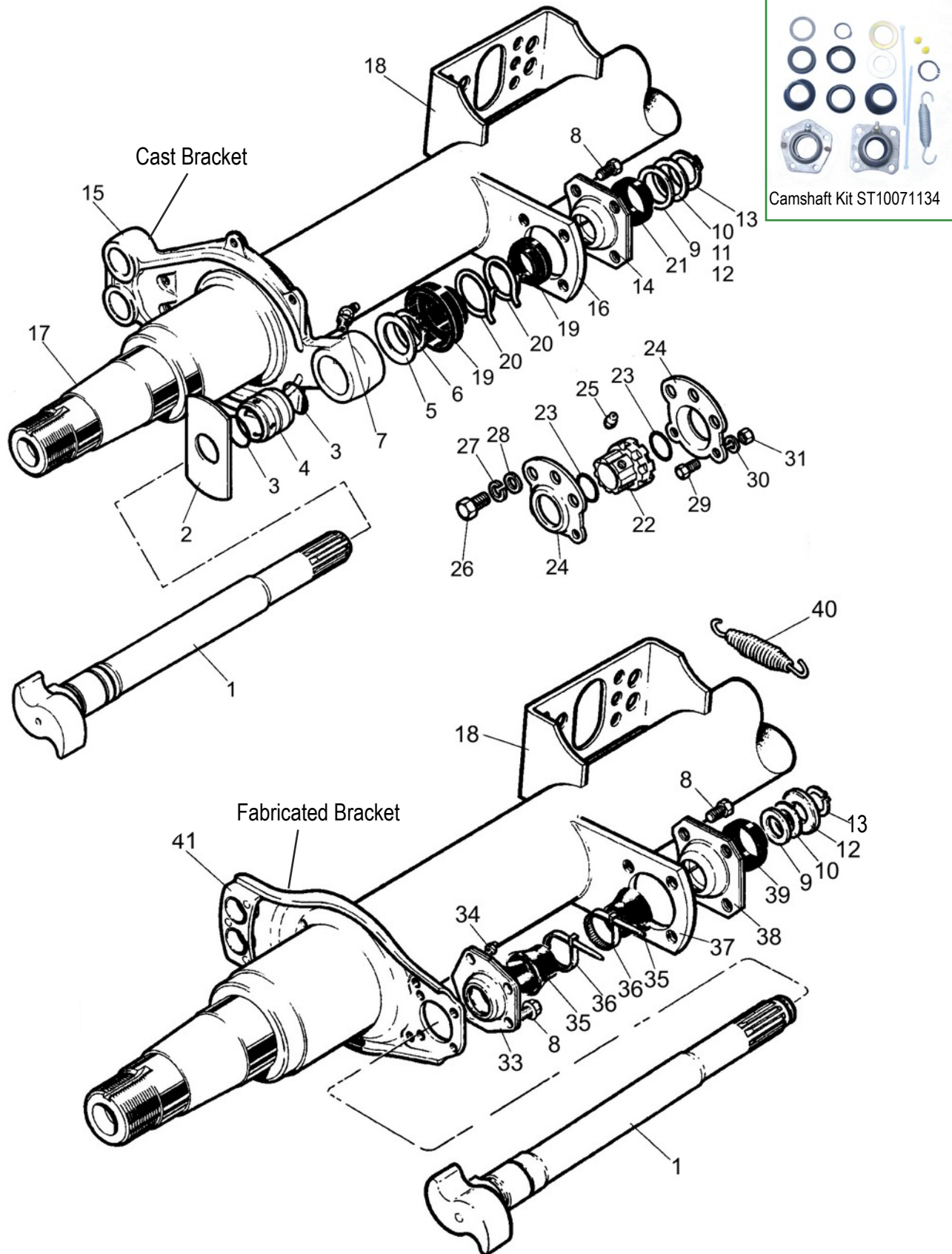
Notes: \*Oversize bushes are available - (Standard camshaft ST10074483) (Stepped camshaft ST10074543)

# Meritor Components

## Meritor TM Camshaft Assembly

Model	Type	Axle Codes	Date of Manufacture
TM	Drum	xTMx/xxxxxx/QMX (420 x 180mm), xTMx/xxxxxx/ZMX (420 x 220mm)	Up to 31st March 2001

Notes: Item 15 shows a cast bracket / Item 41 shows a fabricated bracket



# Meritor Components

Meritor TM Camshaft Assembly			
Item	Description	Part No.	Part No.
		420 x 180mm	420 x 220mm
		IL66/67	FU4/5
1	Camshafts	See Page 1.70	
2	Cam Washer	ST10072799	ST10072799
3	O Ring	ST10079352	ST10079352
4*	Bush - Phosphor Bronze Stepped Cam	ST10072350	ST10072350
5	Washer - Bevel	ST10079298	ST10079298
6	Circlip	ST10072658	ST10072658
7	Grease Nipple	Obsolete	Obsolete
8	Screw M10 x 1.5mm x 20mm	Obsolete	Obsolete
9	Washer	ST10072654	ST10072654
10	Washer - Spacer	ST10072592	ST10072592
11	Washer	ST10072593	ST10072593
12	Washer - Rolled Spline C/Shafts Only	ST10072517	ST10072517
13	Circlip - Rolled Spline C/Shafts	ST10073359	ST10073359
13	Circlip	ST10072591	ST10072591
14	Spherical Bearing assembly	ST10072587	ST10072587
15	Anchor Bracket Cast Pre June 1991	NSS	NSS
16	Camshaft Bracket	ST10079310	ST10079310
17	Axle Beam	NSS	NSS
18	Air Chamber Bracket	ST10079304	ST10079304
19	Rubber Boot - Large	ST10079361	ST10079361
20	Cable Tie	ST10079306	ST10079306
21	Rubber Boot - Short	**NSS	**NSS
22	Spherical Bearing - Nylon	ST10079308	ST10079308
23	O Ring	ST10079362	ST10079362
24	Housing Spherical Bearing	ST10079309	ST10079309
25	Grease Nipple	ST10079299	ST10079299
26	Screw	ST10072403	ST10072403
27	Washer - Spring 5/8"	Obsolete	Obsolete
28	Washer - Plain 5/8"	Obsolete	Obsolete
29	Screw 5/8" UNF 1 1/2"	Obsolete	Obsolete
30	Washer - Spring	ST10079314	ST10079314
31	Hex Nut 5/8" UNF	Obsolete	Obsolete
Form June 1991 - 2001 - Fabricated Anchor Bracket - Item 41			
33	Spherical Bearing - Head End	ST10079364	ST10079364
34	Grease Nipple	Obsolete	Obsolete
34	Grease Nipple (From April 97)	Obsolete	Obsolete
35	Boot - Large	ST10079361	ST10079361
36	Cable - Tie	ST10079306	ST10079306
37	Camshaft Bracket	ST10079310	ST10079310
38	Spherical Bearing - Spline End	ST10072587	ST10072587
39	Boot - Small	**NSS	**NSS
40	External Brake Return Spring	ST10071132	ST10071132
41	Anchor Bracket - Fabricated From June 1991	NSS	NSS
	Manual Slack Adjuster - 4 Hole Metric (Not Shown)	ST10071046	ST10071046

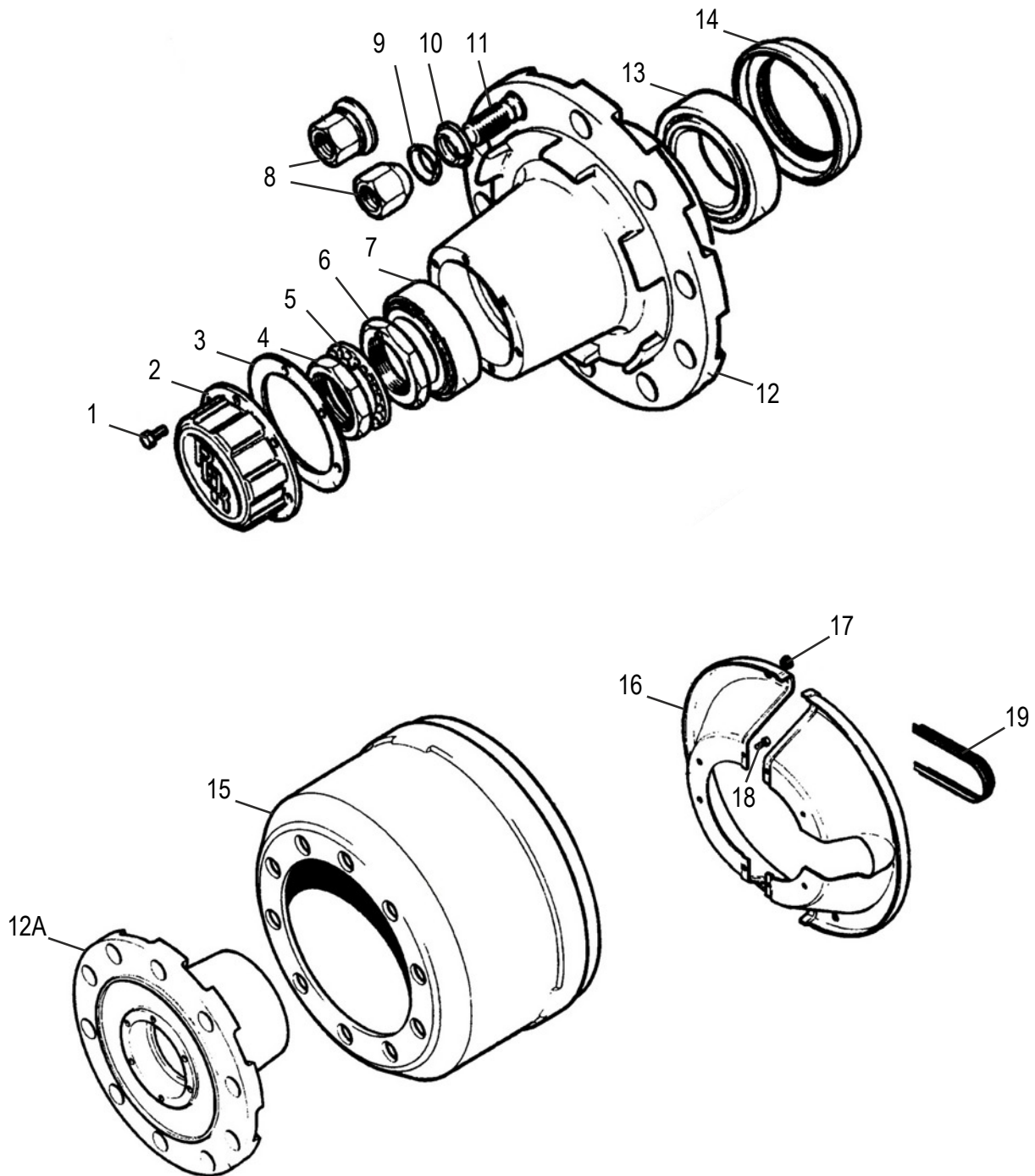
Notes: \*Oversize bushes are available - (Standard camshaft ST10074483) (Stepped camshaft ST10074543)

\*\*NSS Not sold separately available in camshaft kit ST10071134

# Meritor Components

Meritor TM Hub Assembly		
Model	Type	Axle Codes
TM	Drum	xTMx/xxxxxx/ACMX (310 x 190mm), xTMx/xxxxxx/BMX (350 x 200mm)
Notes:		

AXLE & SUSPENSION



# Meritor Components

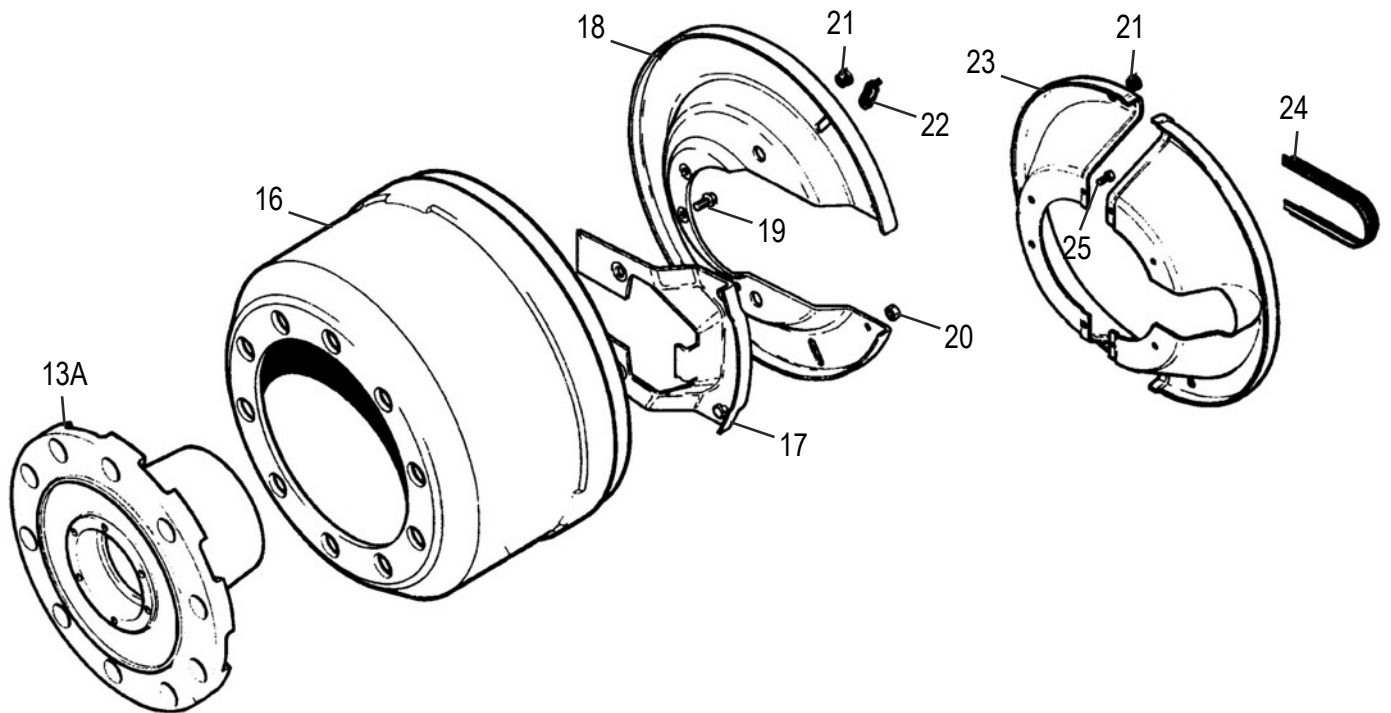
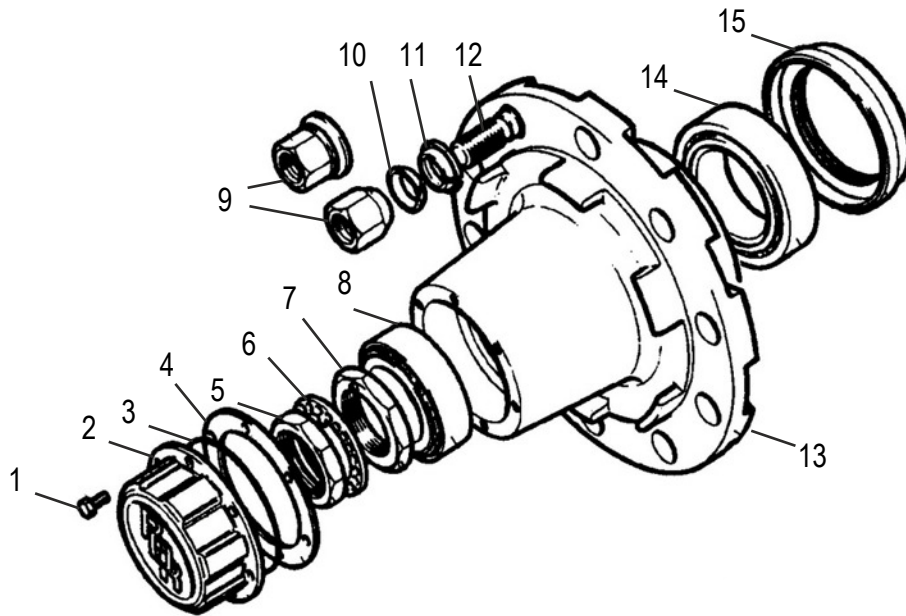
Meritor TM Hub Assembly			
Item	Description	Part No.	Part No.
		310 x 190mm	350 x 200mm
		RW9/13	RW21/22
1	Hub Cap - Screw	ST10074131	ST10074131
2	Hub Cap	ST10072237	ST10072237
2	Hub Cap - For Hubodometer	ST10079302	ST10079302
3	Gasket	ST10071044	ST10071044
4	Locknut	ST10072657	ST10072657
5	Lock washer	ST10072617	ST10072617
6	Bearing Adjustment Nut	ST10072567	ST10072567
7	Outer Bearing	ST10071168	ST10071168
8	Wheel Nut RH 7/8" BSF	ST10079366	
8	Wheel Nut LH 7/8" BSF	ST10079367	
8	Wheel Nut M22 ISO Steel & Alloy Wheels (Most Popular)	ST10072301	ST10072301
8	Wheel Nut M22 DIN	ST10072605	
9	Wheel Cone Outer DIN	ST10079278	
10	Wheel Cone Inner BSF	ST10072875	
10	Wheel Cone Inner DIN	ST10079279	
11	Wheel Bolt 7/8" BSF RH Twin	ST10079373	
11	Wheel Bolt 7/8" BSF LH Twin	ST10079374	
11	Wheel Bolt M22 DIN & ISO Twin	ST10072313	ST10072313
11	Wheel Bolt 7/8" BSF RH Single	ST10072575	
11	Wheel Bolt 7/8" BSF LH Single	ST10072514	
11	Wheel Bolt M22 DIN & ISO Single (Most Popular)	ST10072794	ST10072794
11	Wheel Bolt ISO Twin Alloy Wheels	ST10079282	ST10079282
12	Hub assembly - 8 Bolt ISO	ST10079273	ST10079273
12	Hub assembly - 10 Bolt ISO (Most Popular)	ST10074123	ST10074123
12A	Hub - 10 Bolt Offset ISO		Obsolete
13	Inner Bearing	ST10071167	ST10071167
14	Oil Seal - Unitized	ST10071081	ST10071081
15	Brake Drum - 8 Bolt	ST10079275	ST10079276
15	Brake Drum - 10 Bolt	ST10072417	ST10073660
16	Dust Cover Pairs	ST10071874	ST10071969
17	Plug - Dust Cover	ST10079284	ST10079284
18	Screw - Dust Cover M8 x 16mm	Obsolete	Obsolete
19	Dust Cover Seal		ST10079285

Notes:

AXLE & SUSPENSION

# Meritor Components

Meritor TM Hub Assembly		
Model	Type	Axle Codes
TM	Drum	xTMx/xxxxxx/QMX (420 x 180mm), xTMx/xxxxxx/ZMX (420 x 220mm)
Notes:		



# Meritor Components

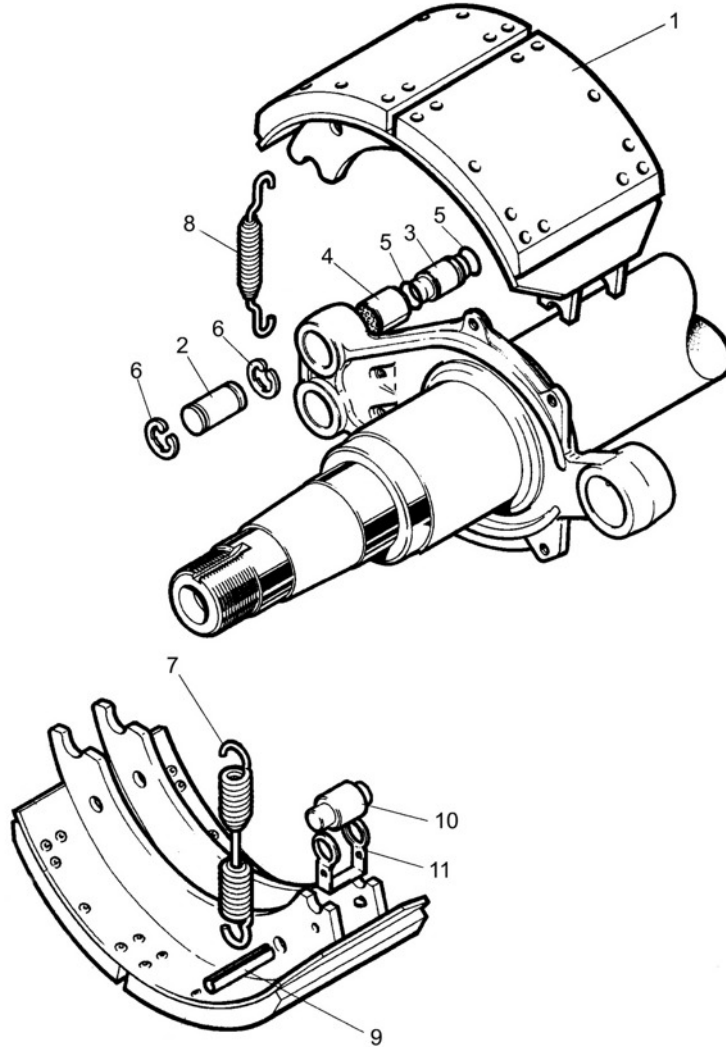
Meritor TM Hub Assembly			
Item	Description	Part No.	
		420 x 180mm	420 x 220mm
		IL66/67	FU4/5
1	Hub Cap - Screw	ST10074131	ST10074131
2	Hub Cap	ST10072237	ST10072237
2	Hub Cap - For Hubodometer	ST10079302	ST10079302
2	Hub Cap - Alloy Hub	Obsolete	Obsolete
3	O Ring - Alloy Hub	ST10079287	ST10079287
4	Gasket	ST10071044	ST10071044
5	Locknut	ST10072657	ST10072657
6	Lock washer	ST10072617	ST10072617
7	Bearing Adjustment Nut	ST10072567	ST10072567
8	Outer Bearing	ST10071168	ST10071168
9	Wheel Nut RH 7/8" BSF	ST10079366	ST10079366
9	Wheel Nut LH 7/8" BSF	ST10079367	ST10079367
9	Wheel Nut M22 ISO Steel & Alloy Wheels (Most Popular)	ST10072301	ST10072301
9	Wheel Nut M22 DIN	ST10072605	ST10072605
10	Wheel Cone Outer DIN	ST10079278	ST10079278
11	Wheel Cone Inner BSF	ST10072875	ST10072875
11	Wheel Cone Inner DIN	ST10079279	ST10079279
12	Wheel Bolt 7/8" BSF RH Twin	ST10072607	ST10072607
12	Wheel Bolt 7/8" BSF LH Twin	ST10072608	ST10072608
12	Wheel Bolt M22 DIN & ISO Twin	ST10072313	ST10072313
12	Wheel Bolt 7/8" BSF RH Single	ST10072575	ST10072575
12	Wheel Bolt 7/8" BSF LH Single	ST10072514	ST10072514
12	Wheel Bolt M22 DIN & ISO Single (Most Popular)	ST10072794	ST10072794
12	Wheel Bolt ISO Twin Alloy Wheels	ST10079282	ST10079282
12	Wheel Bolt M22 - For Alloy Hub & Twin Alloy Wheels	Obsolete	Obsolete
13	Hub assembly - 8 Bolt ISO	ST10079273	
13	Hub assembly - 10 Bolt	ST10073751	ST10073751
13	Hub assembly - 10 Bolt ISO (Most Popular)	ST10072523	ST10072523
13	Hub - Twin Alloy Wheels	ST10079351	ST10079351
13	Hub - 10 Bolt Iso - Alloy (Complete With Brg Cups)	Obsolete	Obsolete
13A	Hub - 10 Bolt Offset ISO	ST10079288	
14	Inner Bearing	ST10071167	ST10071167
15	Oil Seal - Unitized	ST10071081	ST10071081
16	Brake Drum - 8 Bolt	Obsolete	
16	Brake Drum - 10 Bolt (Most Popular)	ST10079294	ST10079512
16	Brake Drum - 10 Bolt Qe (Was fitted for a short period of time)	ST10079485	
17	Filler Plate (From Aug 97)	ST10072125	
18	Dust Cover Pairs - C Type (From Aug 97)	ST10072126	
19	Screw - Dust Cover (From June 91)	Obsolete	Obsolete
20	Nut - Filler Plate (From Aug 97)	ST10079295	
21	Plug - Dust Cover	ST10079284	ST10079284
22	Plug - Inspection (From June 91)	ST10079296	ST10079296
23	Dust Cover Pairs	ST10079293	ST10072606
23	Dust Cover Pairs - Beams With Fabricated Anchor Brackets ( From June 91)	ST10071357	ST10074426
24	Dust Cover Seal	ST10079297	ST10079297
25	Screw - Dust Cover	ST10074131	ST10074131

Notes:

# Meritor Components

## Meritor TM Brake Assembly

Model	Type	Axle Codes
TM	Drum	xTMx/xxxxxx/ACMX (310 x 190mm), xTMx/xxxxxx/BMX (350 x 200mm)
Notes:		



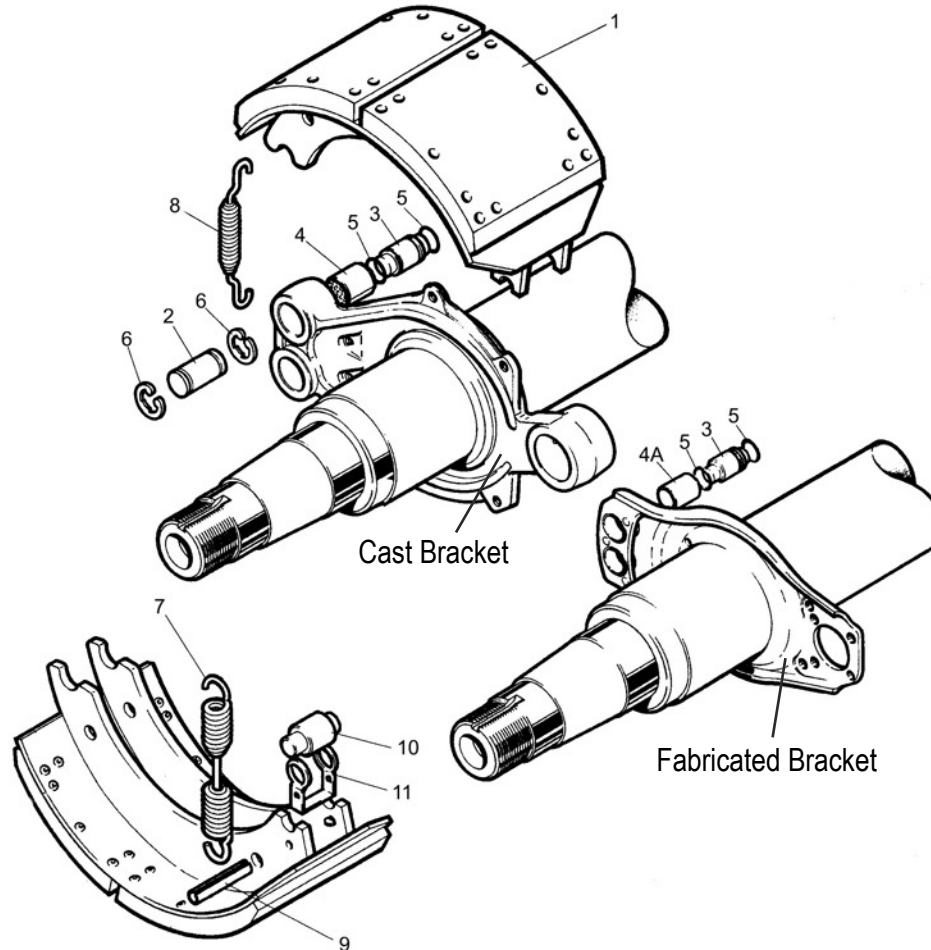
Item	Description	Part No.	Part No.
		310 x 190mm	350 x 200mm
		RW9/13	RW21/22
1	Brake Shoe - Lined assembly Series II (Standard)	See Page 1.173 - 1.174	
1	Brake Shoe - Lined assembly Series III (Quick Fit)		
2	Anchor Pin Series II (Standard)	ST10071042	
3	Anchor Pin Series III (Quick Fit)	ST10071040	ST10071040
4	Bush	ST10071079	ST10071079
5	O Ring	ST10071050	
6	Retaining Clip Series II (Standard)	ST10072123	
7	Release Spring	ST10072318	ST10071051
8	Retaining Spring Series III (Quick Fit)	ST10071041	ST10071041
9	Pin	ST10071048	ST10071048
10	Cam Roller	ST10071038	ST10071038
11	Roller Retainer Clip	ST10071057	ST10071057

Notes:



# Meritor Components

Meritor TM Brake Assembly		
Model	Type	Axle Codes
TM	Drum	xTMx/xxxxxx/QMX (420 x 180mm), xTMx/xxxxxx/ZMX (420 x 220mm)
Notes:		



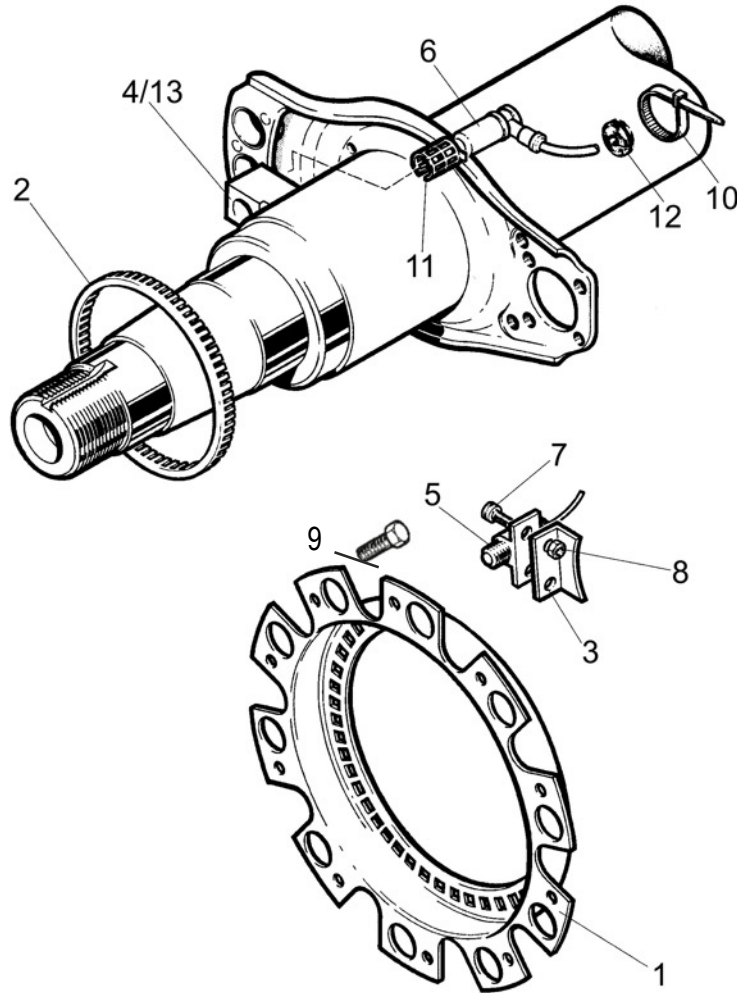
Item	Description	Part No. 420 x 180mm IL66/67	Part No. 420 x 220mm FU4/5
1	Brake Shoe - Lined assembly Series II (Standard)	See Page 1.173 - 1.174	
1	Brake Shoe - Lined assembly Series III (Quick Fit)		
2	Anchor Pin Series II (Standard)	ST10071042	ST10071042
3	Anchor Pin Series III (Quick Fit)	ST10071040	ST10071040
4	Bush	ST10071079	ST10071079
4A	Bush - Stainless Steel (Fab A/bkt From June 1991)	ST10071825	
5	O Ring	ST10071050	ST10071050
6	Retaining Clip Series II (Standard)	ST10072123	ST10072123
7	Release Spring	ST10071051	ST10071051
8	Retaining Spring Series III (Quick Fit)	ST10071041	ST10071041
9	Pin	ST10071048	ST10071048
10	Cam Roller	ST10071038	ST10071038
11	Roller Retainer Clip	ST10071057	ST10071057

Notes:

# Meritor Components

## Meritor TM ABS Assembly

Model	Type	Axle Codes
TM	Drum	xTMx/xxxxxx/ACMX (310 x 190mm), xTMx/xxxxxx/BMX (350 x 200mm)
Notes:		



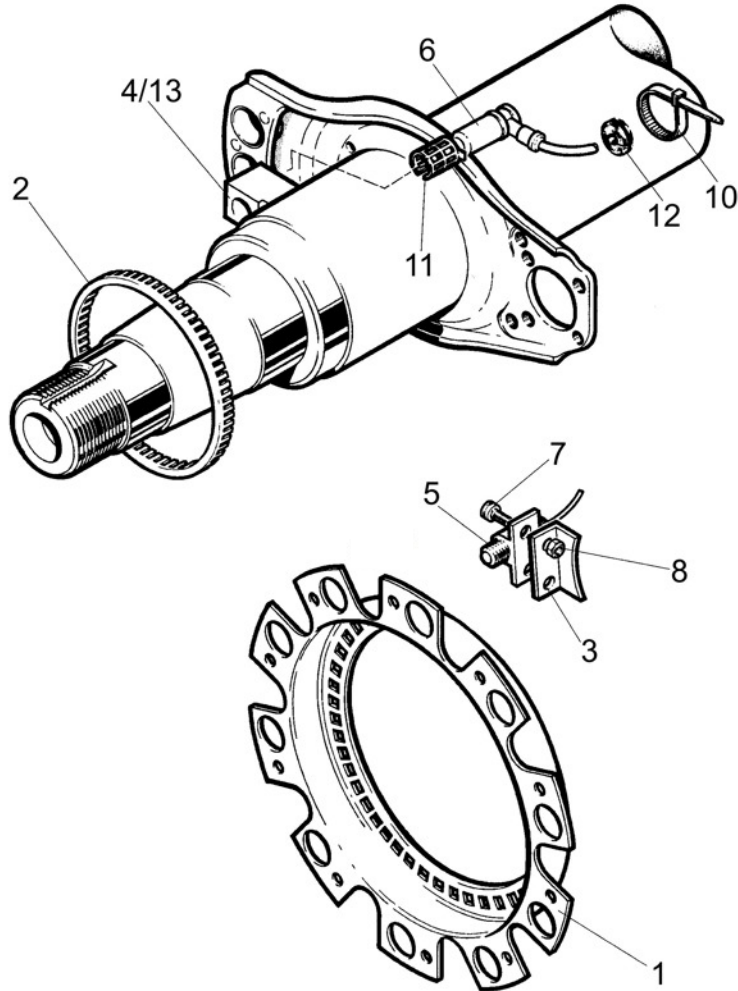
AXLE & SUSPENSION

Item	Description	Part No.	Part No.
		310 x 190mm	350 x 200mm
		RW9/13	RW21/22
1	Exciter Ring (Antiskid - Grau/Haldex)	Obsolete	Obsolete
2	Exciter Ring (Wabco) (Most Popular)	ST10079328	ST10079328
3	Sensor Bracket (Antiskid - Grau/Haldex)	Obsolete	Obsolete
4	Sensor Bracket (Wabco) (Most Popular)	ST10079339	ST10079339
5	Sensor (Antiskid - Grau/Haldex)	ST10072650	ST10072650
6	Sensor (Wabco) (Most Popular)	ST10074634	ST10074634
7	Screw - Sensor Attach	Obsolete	Obsolete
8	Locknut - Sensor Attach	Obsolete	Obsolete
9	Screw - Exciter Attach	Obsolete	Obsolete
10	Cable Tie	ST10079306	ST10079306
11	Spring Bush (Wabco) (Most Popular)	ST10079340	ST10079340
12	Grommet	ST10079335	ST10079335
13	Sensor Brkt (Wabco) - For Kenton Type Beams	ST10075518	ST10075518

Notes:

# Meritor Components

Meritor TM ABS Assembly		
Model	Type	Axle Codes
TM	Drum	xTMx/xxxxxx/QMX (420 x 180mm), xTMx/xxxxxx/ZMX (420 x 220mm)
Notes:		



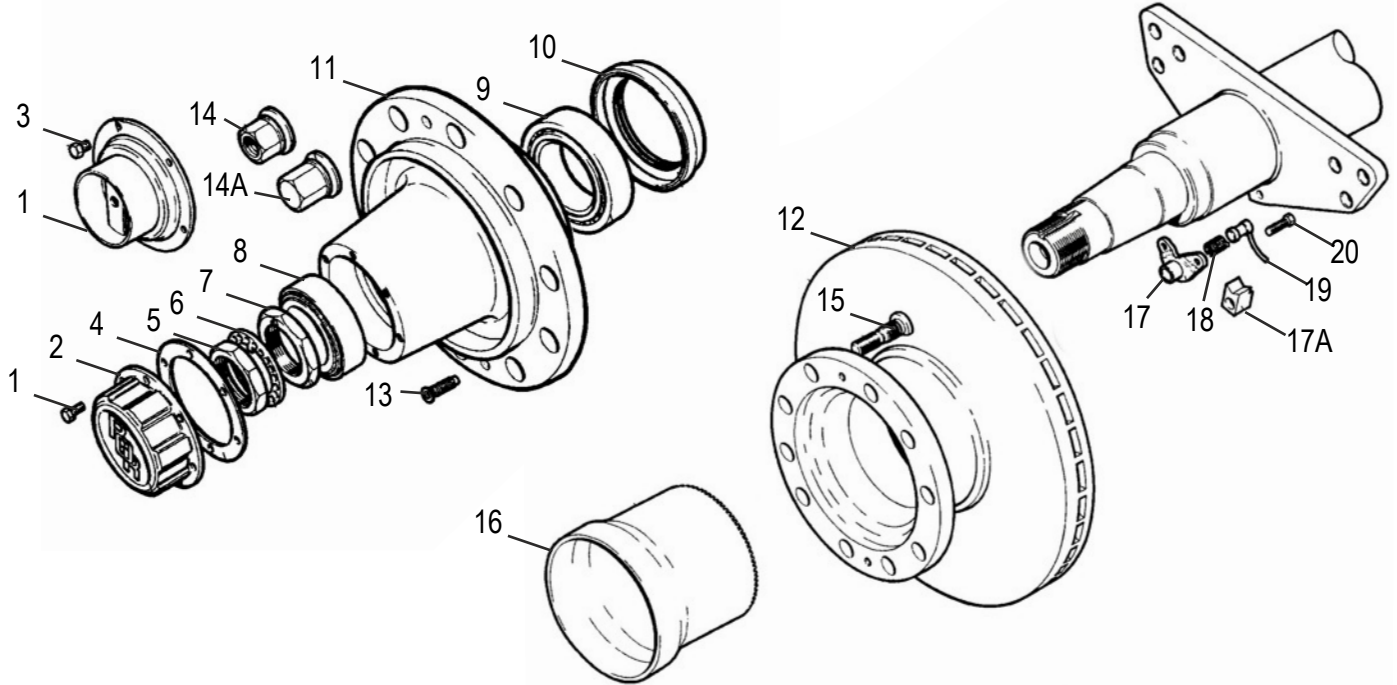
Item	Description	Part No.	
		420 x 180mm	420 x 220mm
		IL66/67	FU4/5
1	Exciter Ring (Antiskid - Grau/Haldex)	Obsolete	Obsolete
2	Exciter Ring (Wabco) (Most Popular)	ST10074470	ST10074470
3	Sensor Bracket (Antiskid - Grau/Haldex)	Obsolete	Obsolete
4	Sensor Bracket (Wabco) (Most Popular)	ST10079339	ST10079339
5	Sensor (Antiskid - Grau/Haldex)	ST10072650	ST10072650
6	Sensor (Wabco) (Most Popular)	ST10074634	ST10074634
7	Screw - Sensor Attach	Obsolete	Obsolete
8	Locknut - Sensor Attach	Obsolete	Obsolete
10	Cable Tie	ST10079306	ST10079306
11	Spring Bush (Wabco) (Most Popular)	ST10079340	ST10079340
12	Grommet	ST10079335	ST10079335
13	Sensor Bracket (Wabco) - For Kenton Type Beams	ST10079365	ST10079365

Notes:

# Meritor Components

## Meritor TM DX195 Axle Assembly

Model	Type	Axle Codes
TM	Disc	xTMx/xxxxxx/HMX (DX195)
Notes:		



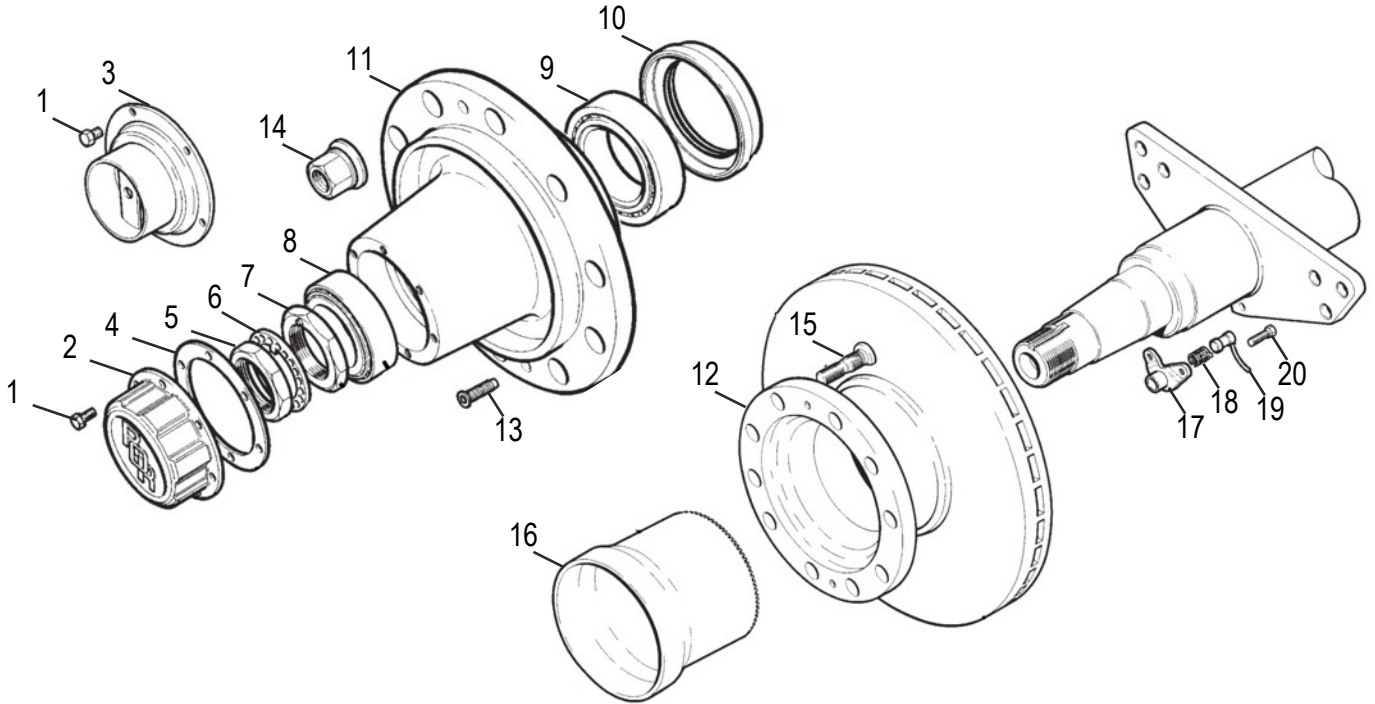
Item	Description	Part No.
1	Screw - Hub Cap	ST10074131
2	Hub Cap - Grease Filled	ST10072237
3	Hub Cap - Hubodometer	ST10079302
4	Gasket - Hub Cap	ST10071044
5	Lock Nut	ST10072657
6	Lock Washer	ST10072617
7	Bearing Adjustment Nut	ST10072567
8	Outer Bearing	ST10071168
9	Inner Bearing	ST10071167
10	Oil Seal	ST10071081
11	Hub assembly	ST10079481
12	Rotor	ST10079377
13	Rotor Retaining Screw	ST10079280
14	Wheel Nut - Steel / Aluminium Wheel	ST10072301
14A	Wheel Nut - Steel / Aluminium Wheel Capped	ST10079336
15	Wheel Bolt - Steel Wheel	ST10079347
15	Wheel Bolt - Alloy Wheel/Twin Steer	ST10079347
16	Pole Wheel assembly	ST10079337
17	Sensor Bracket (From June 2000)	ST10079338
17A	Sensor Bracket (Pre June 2000)	ST10079339
18	Spring	ST10079340
19	Sensor	ST10074634
20	Screw - Sensor Bracket (From June 2000)	ST10079341

Notes:

# Meritor Components

## Meritor TM ELSA195 Axle Assembly

Model	Type	Axle Codes
TM	Disc	xTMx/xxxxxx/KMX (ELSA195)
Notes:		



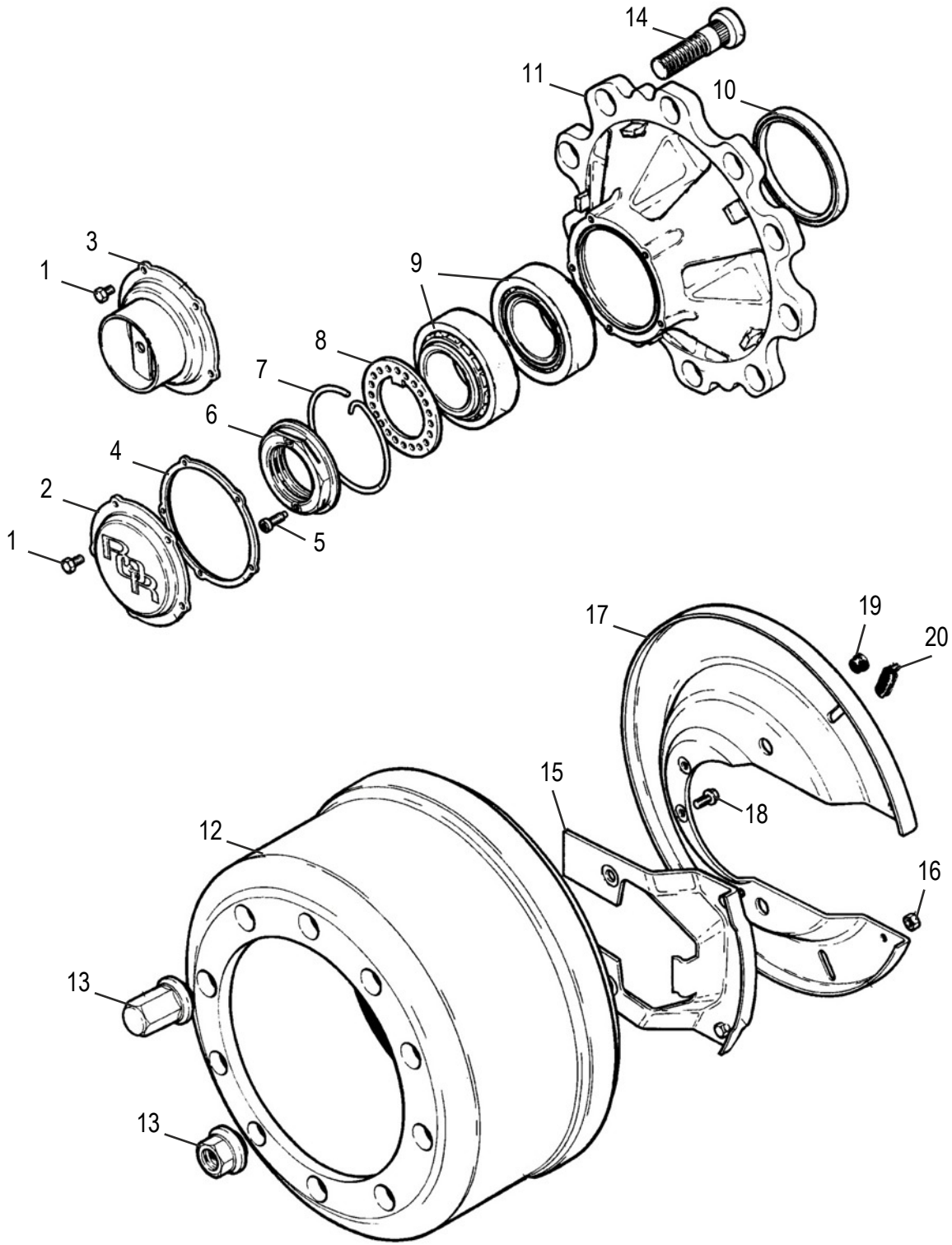
Item	Description	Part No.
1	Screw - Hub Cap	ST10079458
2	Hub Cap	ST10072237
3	Hub Cap - Hubodometer	ST10079302
4	Gasket - Hub Cap	ST10071044
5	Lock Nut	ST10072657
6	Lock Washer	ST10072617
7	Bearing Adjustment Nut	ST10072567
8	Outer Bearing	ST10071168
9	Inner Bearing	ST10071167
10	Oil Seal	ST10071081
11	Hub assembly	ST10079481
12	Brake Disc	ST10079377
12	Brake Disc -Integrated Pole Wheel not shown	ST10073634
13	Rotor Retaining Screw	ST10079280
14	Wheel Nut - Steel Wheel	ST10072301
15	Wheel Bolt - Alloy Wheel/Twin Steer	ST10079347
16	Pole Wheel assembly	ST10079337
17	Sensor Block	Obsolete
18	Spring	ST10079340
19	Sensor	ST10074634
20	Screw - Sensor Bracket	ST10079341

Notes:

# Meritor Components

## Meritor LM & LC Hub Assembly

Model	Type	Axle Codes
LM, LC	Drum	xLMx/xxxxxx/QMX (420 x 180mm), xLCx/xxxxxx/QMX (420 x 180mm)
Notes:		



AXLE & SUSPENSION

# Meritor Components

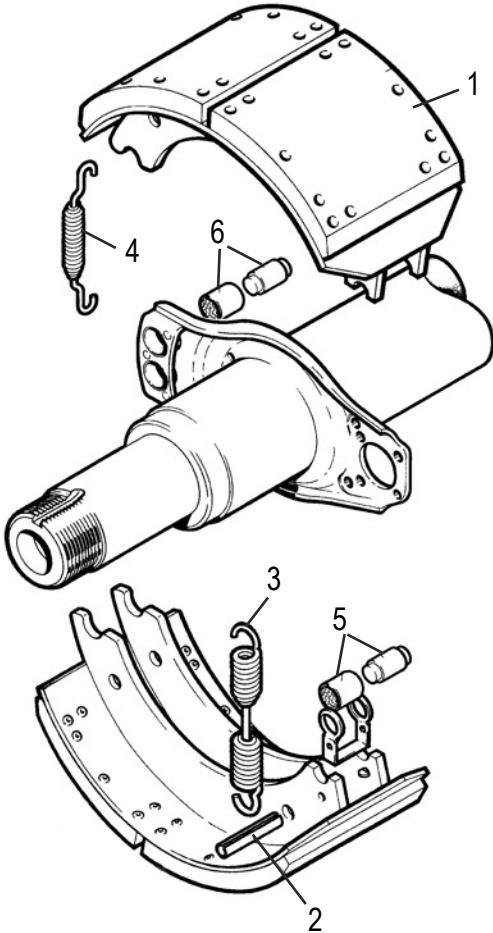
Meritor LM & LC Hub Assembly		
Item	Description	Part No.
		420 x 180mm
		IL66/67
1	Screw - Hub Cap	ST10079458
2	Hub Cap	ST10072993
3	Hub Cap - Hubodometer	ST10079484
4	Gasket - Hub Cap	ST10071056
5	Screw - Pinch Nut	ST10071058
6	Pinch Nut	ST10071359
7	Retaining Clip	ST10072994
8	Retaining Washer	ST10071202
9	Bearings	ST10071064
10	Oil Seal	ST10071081
11	LM Hub Assembly (Does Not Come With Items 5 & 6)	ST10071198
11	LC Hub Assembly Not Shown	See Page 1.52
12	Brake Drum	ST10071049
13	Wheel Nut - Universal Steel/Alloy 32mm Across Flats Open (Phosphate) (Dark)	ST10072301
13	Wheel Nut - Universal Steel/Alloy 32mm Across Flats Open (Dacromet) (Silver)	ST10072150
13	Wheel Nut - Universal Steel/Alloy 32mm Across Flats Capped (Phosphate) (Dark)	ST10079336
13	Wheel Nut - Universal Steel/Alloy 32mm Across Flats Capped (Dacromet) (Silver)	ST10078023
14	Wheel Bolt - Steel Wheel	ST10071047
14	Wheel Bolt - Alloy Wheel	ST10073964
14	Wheel Bolt - Universal Steel/Alloy Coated ( Use With Dacromet Wheel Nut)	ST10079486
15	Filler Plate - For Axles Before April 2001	ST10072125
15	Filler Plate - For Axles After April 2002	ST10071788
16	Nut - Filler Plate	ST10079295
17	Dust Cover	ST10072126
18	Screw - Dust Cover M10 X 1.5 X 20mm	Obsolete
19	Plug - Blanking	ST10079284
20	Plug - Inspection	ST10079296
	400g Cartridge Meritor Hub Grease (Not Shown)	C021500114
	100g Tube Optimol White Paste ( Not Shown)	ST10079487

Notes:

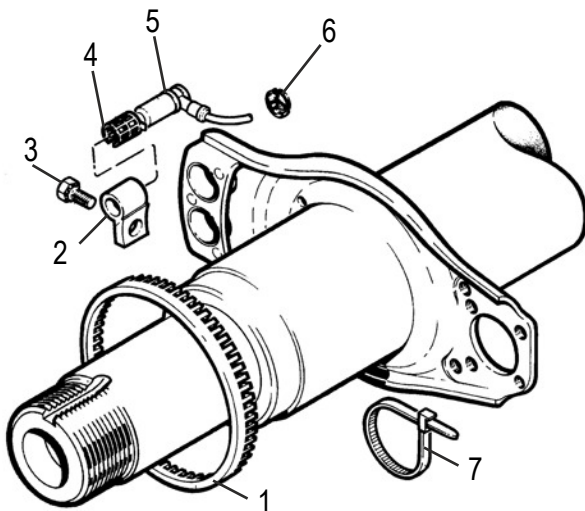
# Meritor Components

## Meritor LM & LC Brake Assembly

Model	Type	Axle Codes
LM, LC	Drum	xLMx/xxxxxx/QMX (420 x 180mm), xLCx/xxxxxx/QMX (420 x 180mm)
Notes:		



Meritor LM & LC Axle Assembly		
Item	Description	Part No.
		420 x 180mm
		RW34/35
1	Brake Shoe Lined Assembly RW34/35	See Page 1.173 - 1.174
2	Roll Pin	ST10071048
3	Return Spring	ST10071051
4	Retaining Spring	ST10071041
5	Cam Roller assembly - C/W 5A	ST10071037
6	Anchor Pin And Bush assembly	ST10072980
*	25g Sachet Meritor Brake Grease	ST10079322
*	400g Cartridge Meritor Brake Grease	ST10079489
Notes: * Must Be Used With Items 5 And 6 Items 5 And 6 Must Be Used As A Matched Set (Not Interchangeable)		



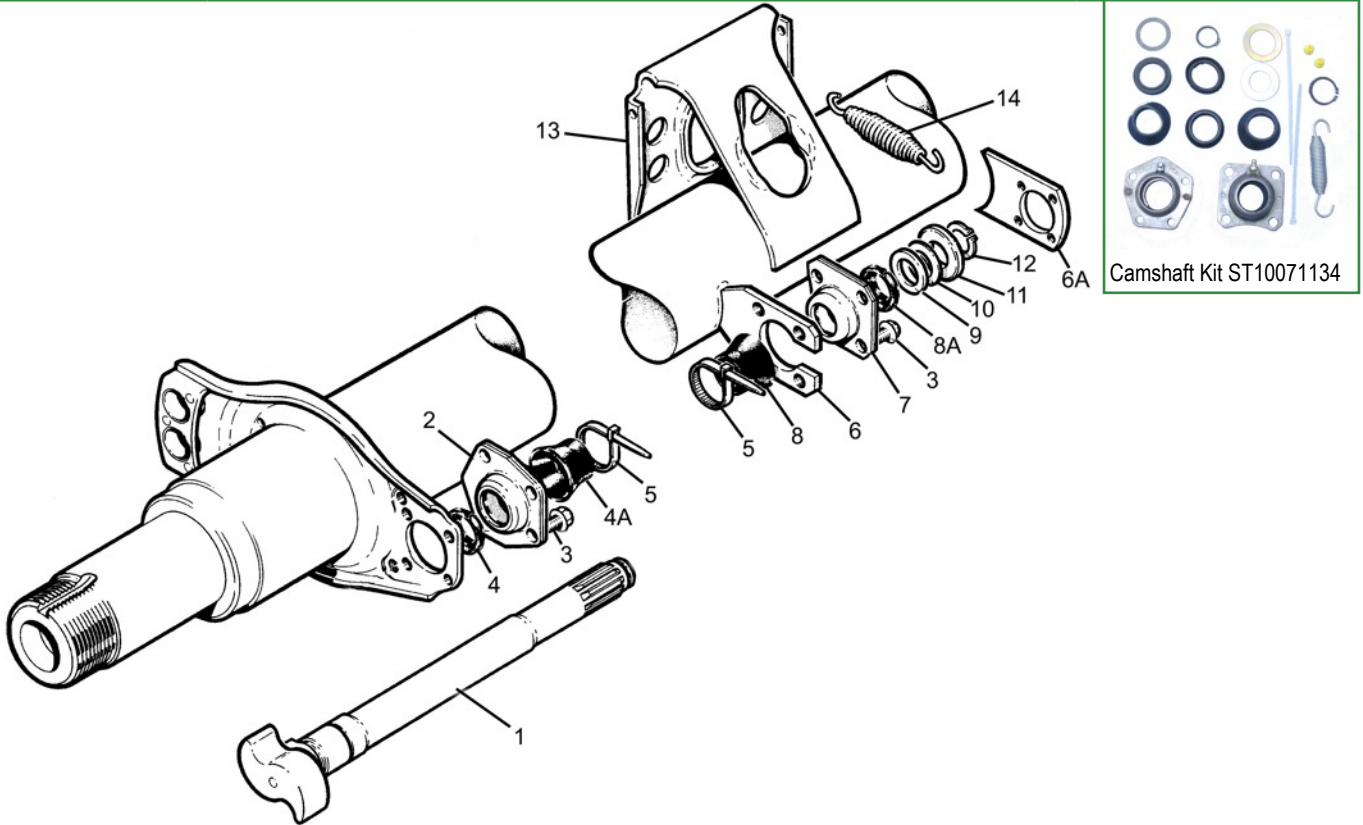
Meritor LM & LC ABS Assembly		
Item	Description	Part No.
1	Pole Wheel	ST10074470
2	Sensor Block	ST10079490
3	Screw - Sensor Block	ST10079491
4	Sensor Bush	ST10079340
5	Sensor	ST10074634
6	Strain Relief Bush	ST10079492
7	Cable Tie	ST10079306
	Grease For Sensor Bush (Not Shown)	ST10079322
Notes:		



# Meritor Components

## Meritor LM & LC Camshaft Assembly

Model	Type	Axle Codes	Date of Manufacture
LM, LC	Drum	xLMx/xxxxxx/BMX (350 x 200mm), xLCx/xxxxxx/BMX (350 x 200mm) xLMx/xxxxxx/QMX (420 x 180mm), xLCx/xxxxxx/QMX (420 x 180mm)	Up to April 2001
Notes:			



Camshaft Kit ST10071134

Item	Description	Part No.
1	Camshafts	See Page 1.71
2	Cam Head Bearing assembly	ST10072795
3	Screw - Bearing M10 x 1.5 x 20mm	Obsolete
4	Inner Boot - Cam End	ST10079493
4A	Outer Boot - Cam End	ST10079494
5	Tie Wrap	ST10079306
6	Camshaft Bracket	Obsolete
6A	Camshaft Bracket (Axles Built After Sept 99)	ST10079310
7	Spline End Bearing assembly	ST10072587
8	Inner Boot - Spline End	*NSS
8A	Outer Boot - Spline End	*NSS
9	Washer - Spacing Thick	ST10072593
10	Washer - Spacing Thin	ST10072592
11	Retaining Washer	ST10072517
12	Circlip	ST10073359
13	Air Chamber Bracket	ST10074704
14	Assister Spring	ST10071132
	25g Sachet Meritor Grease (Not Shown)	ST10079322
	400g Cartridge Meritor Brake Grease	ST10079489

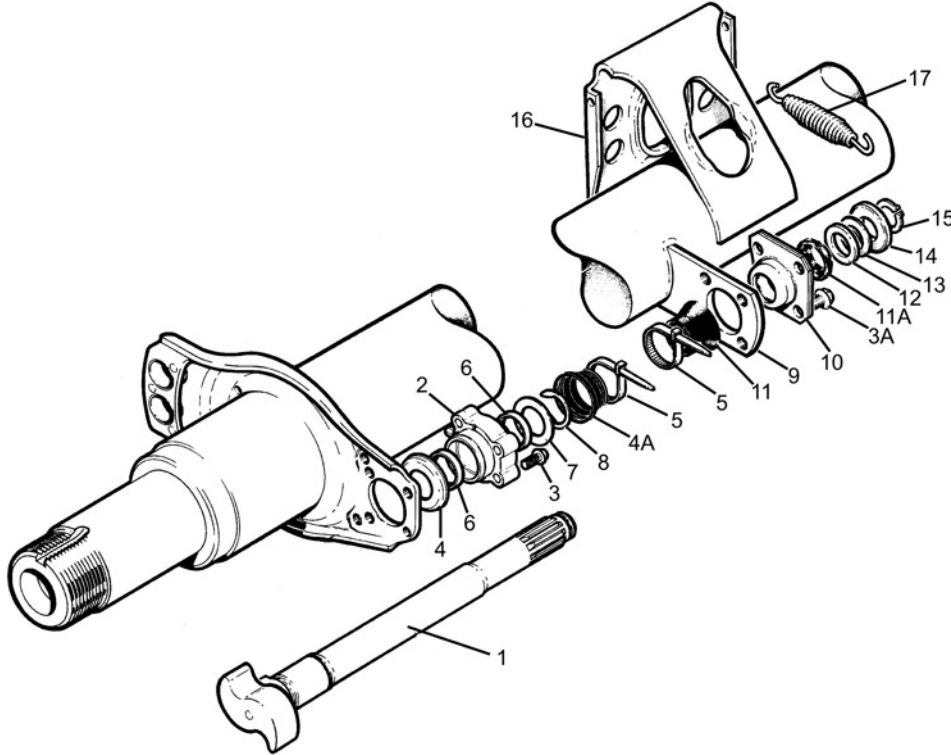
Notes: \*NSS Not sold separately available in camshaft kit ST10071134

# Meritor Components

## Meritor LM & LC Camshaft Assembly

Model	Type	Axle Codes	Date of Manufacture
LM, LC	Drum	xLMx/xxxxxx/BMX (350 x 200mm), xLCx/xxxxxx/BMX (350 x 200mm) xLMx/xxxxxx/QMX (420 x 180mm), xLCx/xxxxxx/QMX (420 x 180mm)	From April 2001

Notes:



AXLE & SUSPENSION

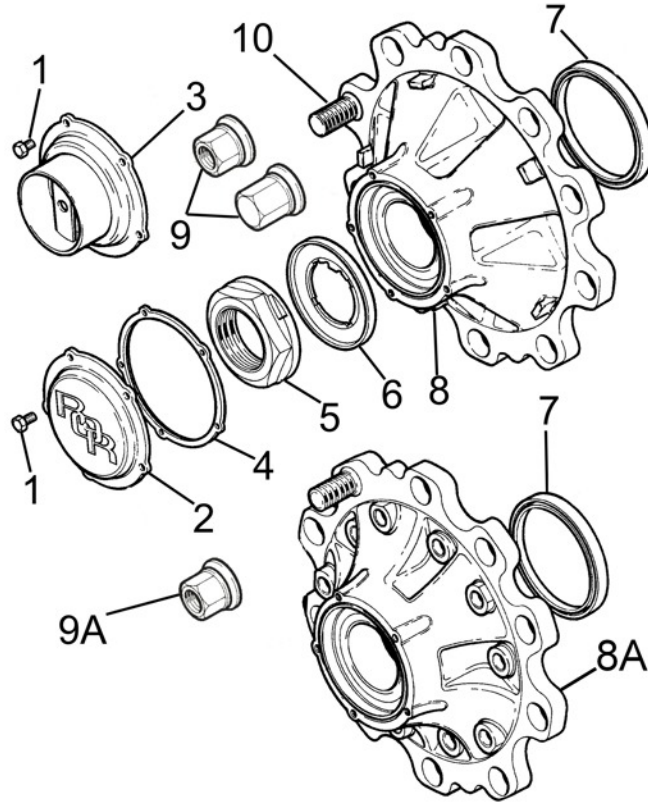
Item	Description	Part No.
1	Camshafts	See Page 1.71
2	Cam Head Bearing assembly	*NSS
3	Screw - Bearing Cam End M10 x 1.5 x 30mm	*NSS
3A	Screw - Bearing Spline End M10 x 1.5 x 20mm	*NSS
4	Washer Seal	*NSS
4A	Boot - Cam End	*NSS
5	Tie Wrap	ST10079306
6	Lip Seal (Part Of Item 2)	*NSS
7	Washer	ST10079513
8	Snap Ring	ST10079321
9	Camshaft Bracket	ST10079310
10	Spline End Bearing assembly	ST10072587
11	Inner Boot - Spline End	*NSS
11A	Outer Boot - Spline End	*NSS
12	Washer - Spacing Thick	ST10072593
13	Washer - Spacing Thin	ST10072592
14	Retaining Washer	ST10072517
15	Circlip	ST10073359
16	Air Chamber Bracket	ST10074704
17	Assister Spring	ST10071132
	25g Sachet Meritor Grease (Not Shown)	ST10079322
	400g Cartridge Meritor Brake Grease	ST10079489

Notes: \*NSS Not sold separately available in camshaft kit ST10072242

# Meritor Components

## Meritor LC Hub Assembly

Model	Type	Axle Codes
LC	Disc & Drum	xLCx/xxxxxx/BMX (350 x 200mm) / xLCx/xxxxxx/QMX (420 x 180mm)
Notes:		



Item	Description	Part No.
1	Screw - Hub Cap	ST10079458
2	Hub Cap	ST10072993
3	Hub Cap - Hubodometer	ST10079484
4	Gasket - Hub Cap	ST10071056
5	Axle End Nut	ST10073988
6	Stake Washer Assembly	ST10074132
7	Auxiliary Oil Seal	ST10071081
8	Hub Assembly 10 Stud - LC Drum Brake	ST10072170
8A	Hub Assembly 10 Stud - LC Disc Brake	ST10072168
8A	Hub Assembly - offset, ELSA 2 Disc Brake only (Not Shown)	ST10077329
8A	Hub Assembly - 8 Stud, ELSA 195 Disc Brake only (Not Shown)	ST10079497
9	Wheel Nut - Drum Brake 32mm Across Flats Open (Phosphate) (Dark)	ST10072301
9	Wheel Nut - Drum Brake 32mm Across Flats Open (Dacromet) (Silver)	ST10072150
9	Wheel Nut - Drum Brake 32mm Across Flats Capped (Phosphate) (Dark)	ST10079336
9	Wheel Nut - Drum Brake 32mm Across Flats Capped (Dacromet) (Silver)	ST10078023
9A	Wheel Nut - Disc Brake	ST10072150
10	Wheel Bolt - Steel Wheel	ST10073989
10	Wheel Bolt - Alloy Wheel	ST10071047
10	Wheel Bolt - Universal Steel/Alloy Coated ( Use With Dacromet Wheel Nut)	ST10073989

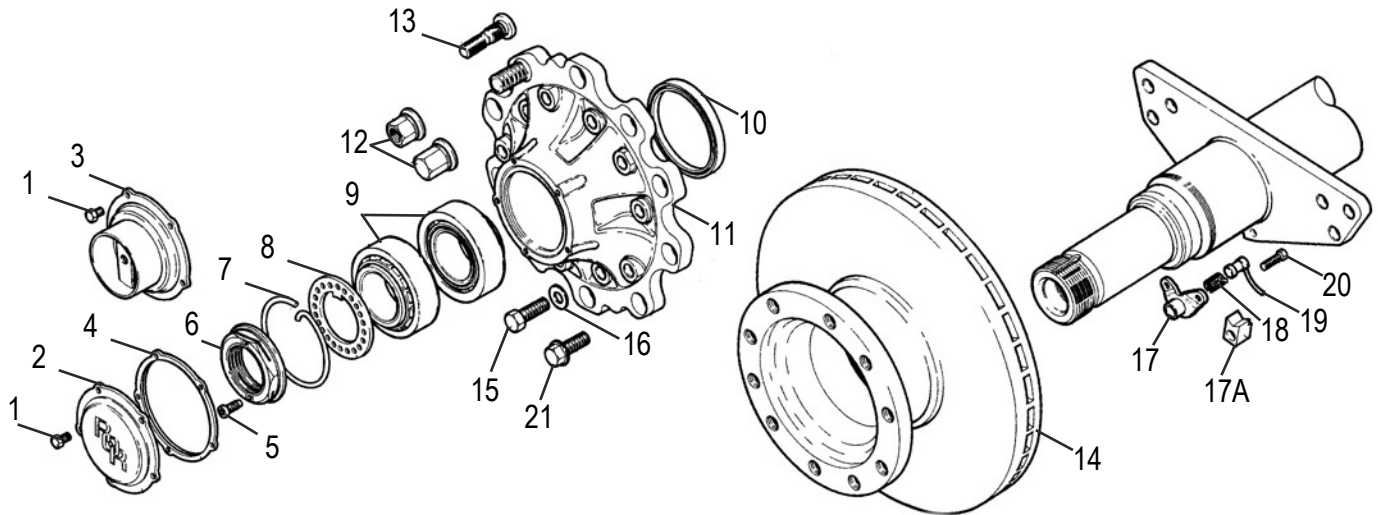
Notes:

AXLE & SUSPENSION

# Meritor Components

## Meritor LM & LC DX195 Assembly

Model	Type	Axle Codes
LM, LC	Disc	xLMx/xxxxxx/HMX (DX195), xLCx/xxxxxx/HMX (DX195)
Notes:		



AXLE & SUSPENSION

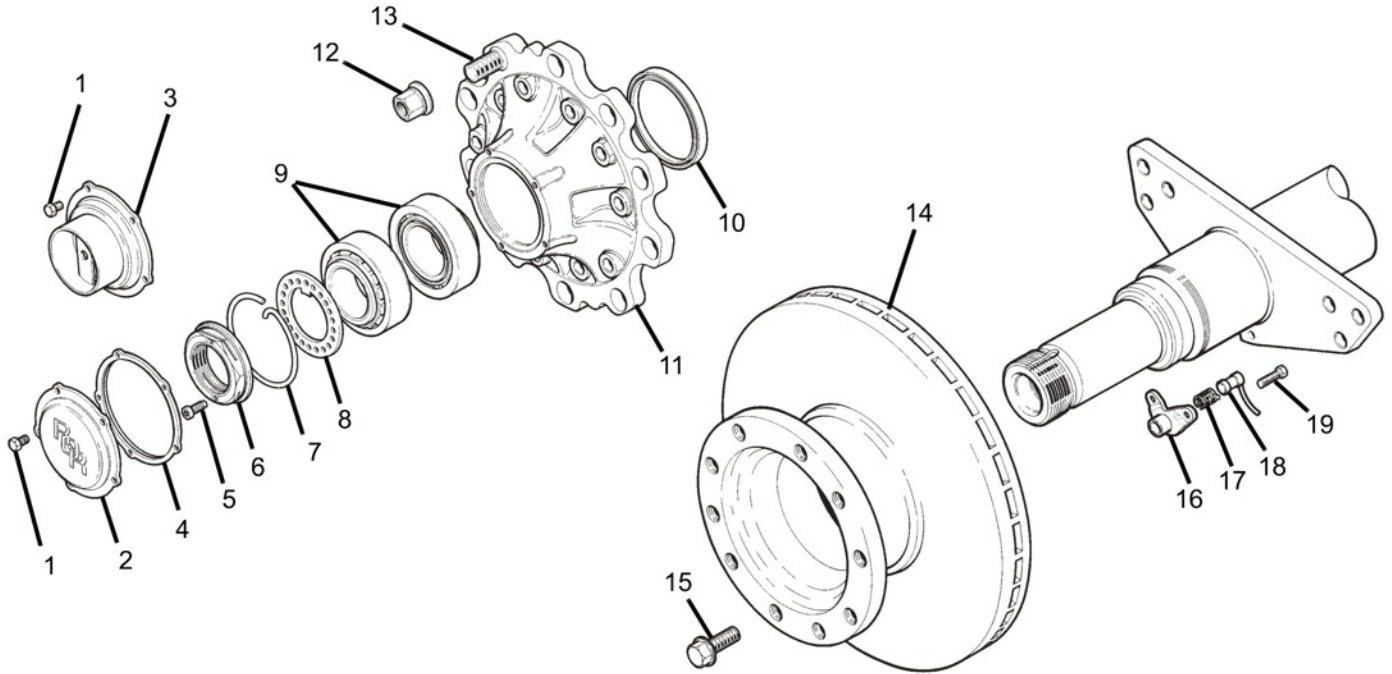
Item	Description	Part No.
1	Screw - Hub Cap	ST10079458
2	Hub Cap	ST10072993
3	Hub Cap - Hubodometer	ST10079484
4	Gasket - Hub Cap	ST10071056
5	Screw - Pinch Nut	ST10071058
6	Pinch Nut	ST10071359
7	Retaining Clip	ST10072994
8	Retaining Washer	ST10071202
9	Bearings	ST10071064
10	Oil Seal	ST10071081
11	LM Hub Assembly	ST10072047
11A	LC Hub Assembly Not Shown	See Page 1.52
12	Brake Disc comes with ABS Ring	ST10071059
13	Wheel Nut - Universal Steel/Alloy 32mm Across Flats Open (Phosphate) (Dark)	ST10072301
13	Wheel Nut - Universal Steel/Alloy 32mm Across Flats Open (Dacromet) (Silver)	ST10072150
13	Wheel Nut - Universal Steel/Alloy 32mm Across Flats Capped (Phosphate) (Dark)	ST10079336
13	Wheel Nut - Universal Steel/Alloy 32mm Across Flats Capped (Dacromet) (Silver)	ST10078023
14	Wheel Bolt - Steel Wheel	ST10073989
14	Wheel Bolt - Alloy Wheel	ST10071047
14	Wheel Bolt - Universal Steel/Alloy Coated ( Use With Dacromet Wheel Nut)	ST10073989
15	M16 x 65mm Rotor Mounting Bolt	ST10079277
16	Hardened Washer	ST10077488
17	Sensor Bracket (From June 2000)	ST10079338
17A	Sensor Bracket (Before June 2000)	ST10079339
18	Spring Clip	ST10079340
19	Sensor	ST10074634
21	Screw - Sensor Bracket (From June 2000)	ST10079341
*	M16 x 60mm Flanged Rotor Mounting Bolt	ST10079466

Notes: \* Replaces Items 15 & 16 from July 2001

# Meritor Components

## Meritor LM & LC ELSA 2 Assembly

Model	Type	Axle Codes
LM, LC	Disc	xLMx/xxxxxx/EMX (ELSA 2), xLCx/xxxxxx/EMX (ELSA 2)
Notes:		



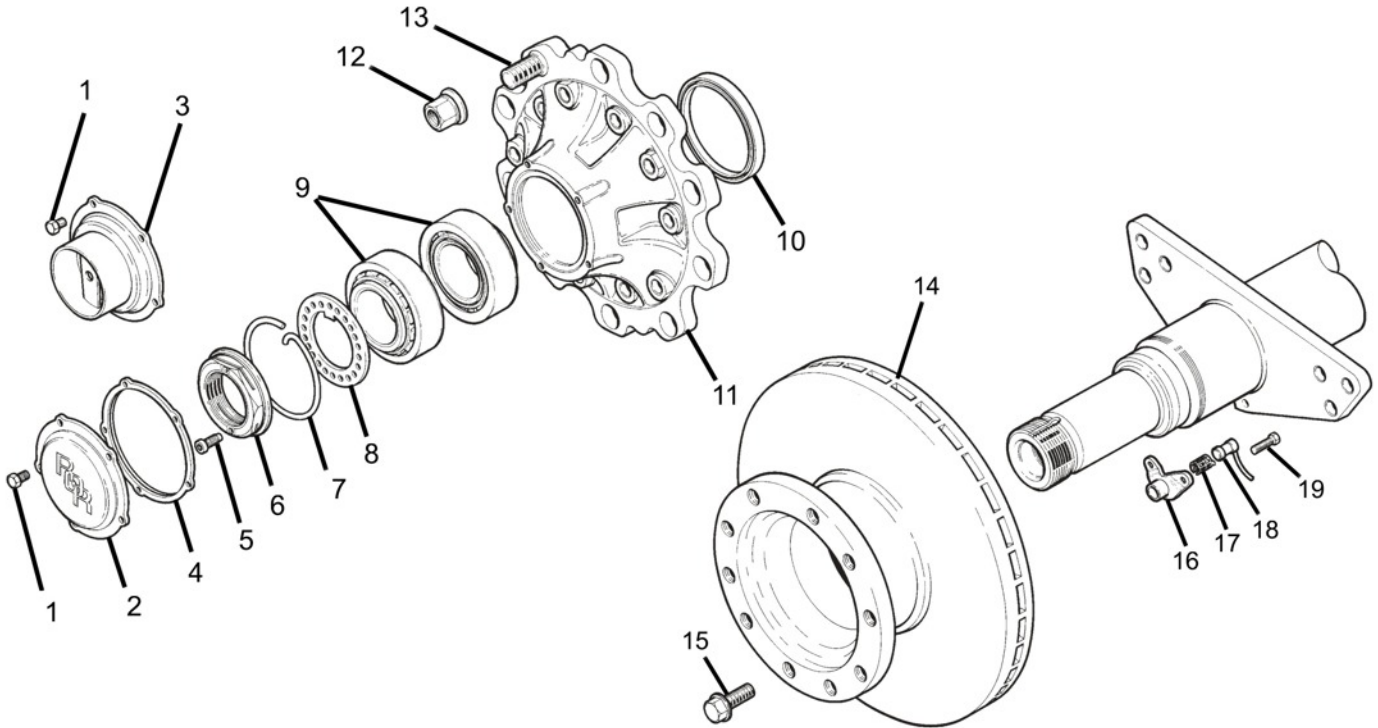
Item	Description	Part No.
1	Screw - Hub Cap	ST10079458
2	Hub Cap	ST10072993
3	Hub Cap - Hubodometer	ST10079484
4	Gasket - Hub Cap	ST10071056
5	Screw - Pinch Nut	ST10071058
6	Pinch Nut	ST10071359
7	Retaining Clip	ST10072994
8	Retaining Washer	ST10071202
9	Bearings	ST10071064
10	Oil Seal	ST10071081
11	LM Hub Assembly	ST10072047
11	LM Hub Assembly - offset not shown	ST10079498
11	LC Hub Assembly Not Shown	See Page 1.52
12	Wheel Nut - Universal Steel/Alloy 32mm Across Flats Open (Dacromet)	ST10072150
13	Wheel Bolt - Alloy Wheel	ST10071047
13	Wheel Bolt - Universal Steel/Alloy Coated ( Use With Dacromet Wheel Nut)	ST10073989
14	Brake Disc	ST10071150
15	M16 x 60mm Rotor Mounting Bolt	ST10079466
16	Sensor Block	ST10079464
17	Spring Clip	ST10079340
18	Sensor	ST10074634
19	Screw - Sensor Bracket (From June 2000)	ST10079341

Notes:

# Meritor Components

## Meritor LM & LC ELSA 195 Assembly

Model	Type	Axle Codes
LM, LC	Disc	xLMx/xxxxxx/KMX (ELSA 195), xLCx/xxxxxx/KMX (ELSA 195)
Notes:		

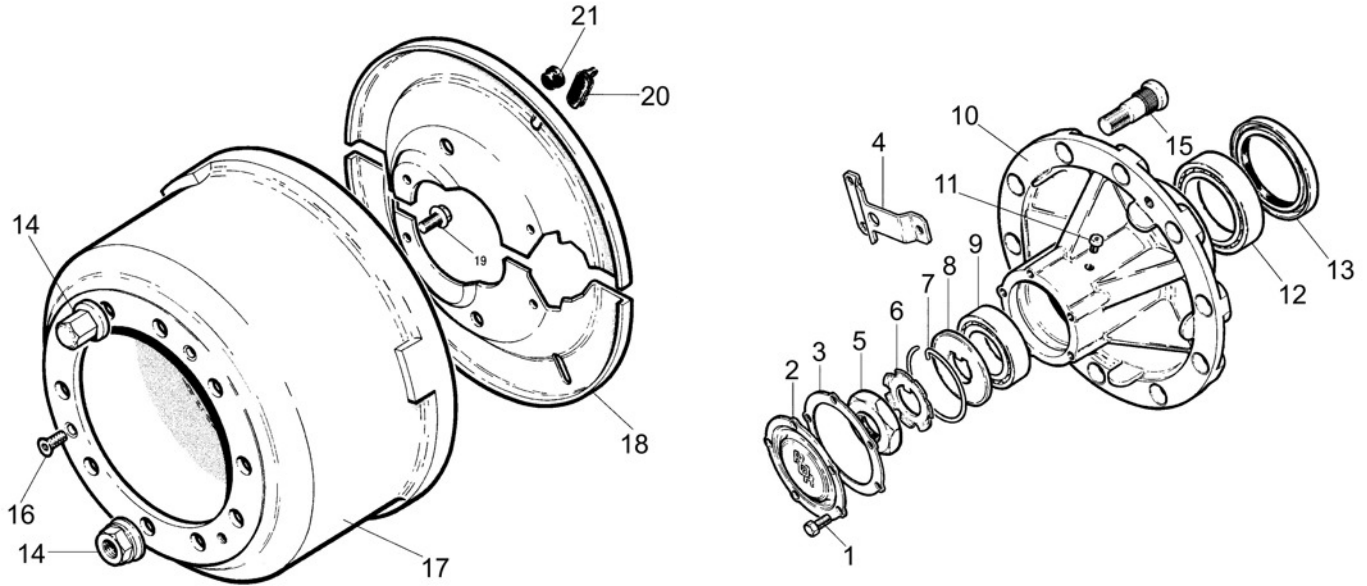


Item	Description	Part No.
1	Screw - Hub Cap	ST10079458
2	Hub Cap	ST10072993
3	Hub Cap - Hubodometer	ST10079484
4	Gasket - Hub Cap	ST10071056
5	Screw - Pinch Nut	ST10071058
6	Pinch Nut	ST10071359
7	Retaining Clip	ST10072994
8	Retaining Washer	ST10071202
9	Bearings	ST10071064
10	Oil Seal	ST10071081
11	LM Hub Assembly	ST10072047
12	Wheel Nut - Universal Steel/Alloy 32mm Across Flats Open (Dacromet)	ST10072150
13	Wheel Bolt - Alloy Wheel	ST10071047
13	Wheel Bolt - Universal Steel/Alloy Coated ( Use With Dacromet Wheel Nut)	ST10073989
14	Brake Disc - 10 stud	ST10071059
14	Brake Disc - 8 Stud, LC (Not Shown)	ST10073634
15	M18 x 50mm Rotor Mounting Bolt	ST10074766
16	Sensor Block	ST10079499
17	Spring Clip	ST10079340
18	Sensor	ST10074634
19	Screw - Sensor Bracket (From June 2000)	ST10079341

Notes:

# Meritor Components

Meritor TE Hub Assembly		
Model	Type	Axle Codes
TE	Drum	xTEEx/xxxxxx/QMX (420 x 180mm)
Notes:		

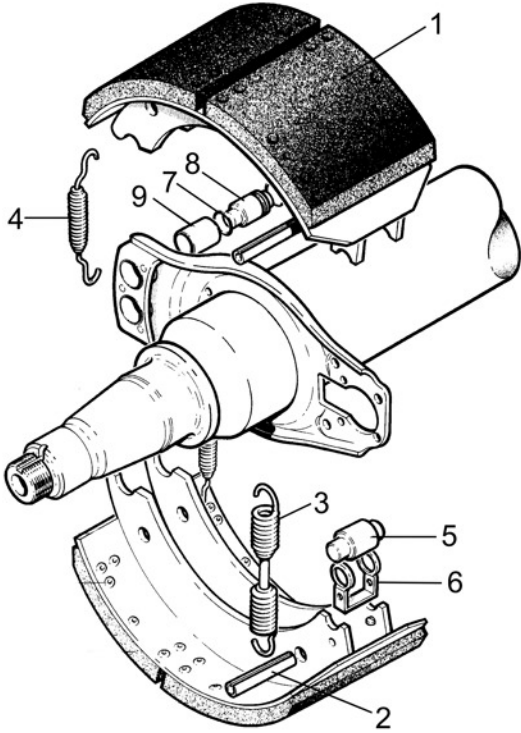


Item	Description	Part No.
1	Screw - Hub Cap	ST10074131
2	Hub Cap	ST10079500
2	Hub Cap - Hubodometer	ST10079501
3	Gasket - Hub Cap	ST10072459
4	Hubodometer Mounting Plate	ST10079502
5	End Nut	ST10072524
6	Lock Washer	ST10072800
7	Spring Clip	ST10072530
8	Retaining Washer	ST10079503
9	Bearing - Outer	ST10079504
10	Hub assembly - 10 Stud	ST10072251
11	Plug - Oil Filled	Obsolete
12	Bearing - Inner	ST10071511
13	Oil Seal	ST10072362
14	Wheel Nut -32mm A/F, Steel / Aluminium Wheel, Open	ST10072301
14	Wheel Nut -32mm A/F, Steel / Aluminium Wheel, Closed	ST10079336
15	Wheel Bolt - Steel Wheel	ST10071047
15	Wheel Bolt - Alloy Wheel	ST10073964
16	Drum Retaining Screw	ST10079280
17	Brake Drum	ST10071049
18	Dust Cover Assembly	ST10071357
19	Screw, Dust Cover M10 x 1.5mm x 20mm	Obsolete
20	Plug Inspection	ST10079296
21	Plug Blanking	ST10079284
	Bearing Grease EP2 12.5kg	ST10071391
Notes:		

# Meritor Components

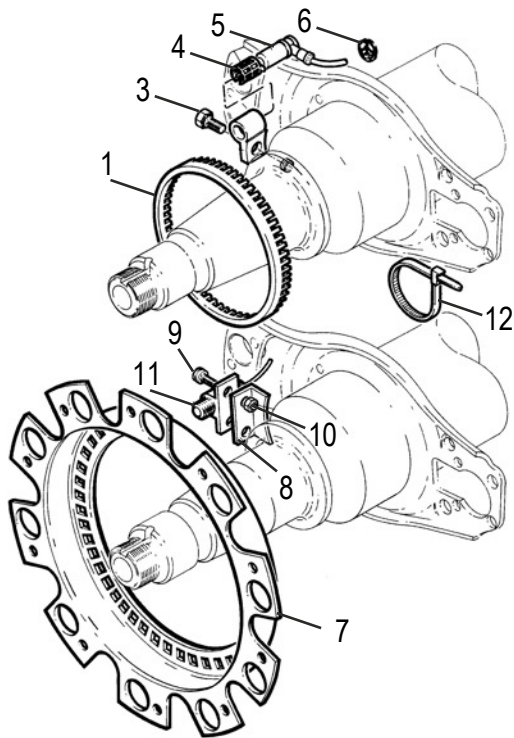
## Meritor TE Assembly

Model	Type	Axle Codes
TE	Drum	xTEEx/xxxxxx/QMX (420 x 180mm)
Notes:		



## Meritor TE Brake Assembly

Item	Description	Part No.
		420 x 180mm
		IL66/67
1	Brake Shoe Lined Assembly	See Page 1.173 - 1.174
2	Roll Pin	ST10071048
3	Return Spring	ST10071051
4	Retaining Spring	ST10071041
5	Cam Roller	ST10071038
6	Retaining Clip	ST10071057
7	O Ring, Anchor Pin	ST10071050
8	Anchor Pin	ST10071040
9	Bush Anchor Pin	ST10071825
Notes:		



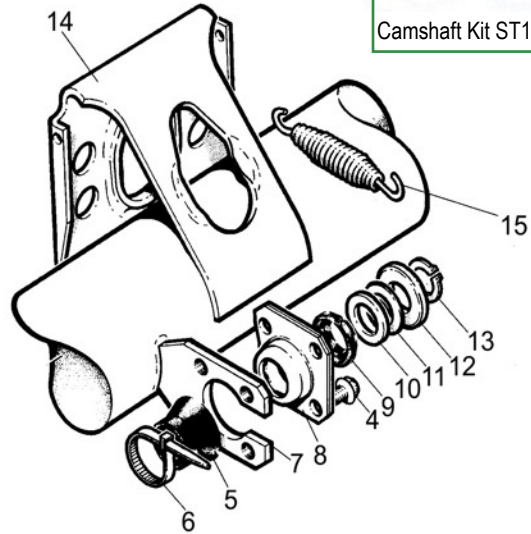
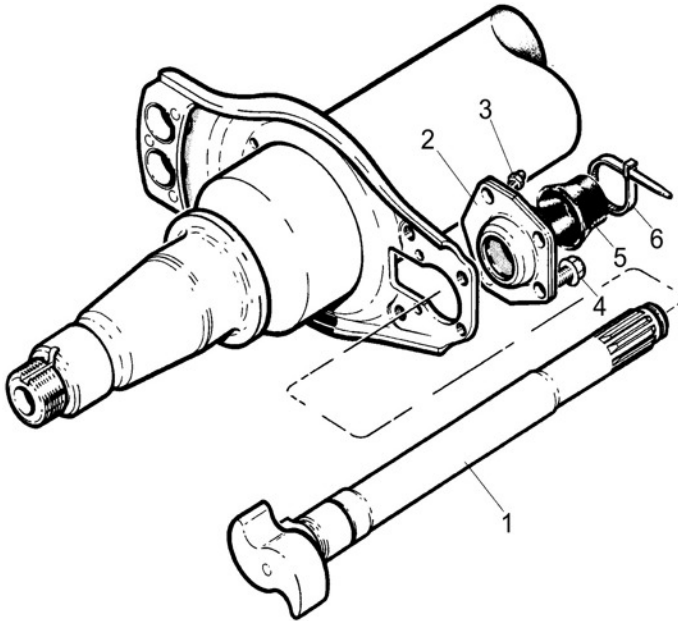
## Meritor TE ABS Assembly

Item	Description	Part No.
1	Pole Wheel 100 Tooth	ST10079507
2	Sensor Mounting Block 100 Tooth	ST10079508
3	Screw, Sensor Mounting Block 100 Tooth	Obsolete
4	Spring Bush	ST10079340
5	Sensor Assembly 100 Tooth	ST10074634
6	Grommet 60 Tooth	ST10079335
6	Strain Relief Bush 100 Tooth	ST10079492
7	Exciter Ring 60 Window	Obsolete
8	Sensor Mounting Bracket 60 Window	ST10079511
9	Screw Sensor Mounting Bracket 60 Window	Obsolete
10	Locknut	Obsolete
11	Sensor Assembly 60 Window	ST10072650
12	Cable Tie	ST10079306
Notes:		



# Meritor Components

Meritor TE Camshaft Assembly			
Model	Type	Axle Codes	Date of Manufacture
TE	Drum	xTEEx/xxxxxx/QMX (420 x 180mm)	Up to March 2001
Notes:			



Item	Description	Part No.
1	Camshafts	See Page 1.71
2	Spherical Bearing, Head End	ST10072795
3	Grease Nipple	Obsolete
3	Grease Nipple (From April 1997)	Obsolete
4	Screw, Spherical Bearing M10 x 1.5 x 20mm	Obsolete
5	Boot, Large	**NSS
6	Tie Wrap	ST10079306
7	Camshaft Bracket	ST10079310
8	Spherical Bearing, Spline End	ST10072587
9	Boot, Small	**NSS
10	Spacing Washer, Thick	ST10072593
11	Spacing Washer, Thin	ST10072592
12	Washer, Retaining	ST10072517
13	Circlip	ST10073359
14	Air Chamber Bracket	ST10074704
15	Assister Spring	ST10071043
*	Meritor Grease (Not Shown)	ST10079322
*	400g Cartridge Meritor Brake Grease	ST10079489

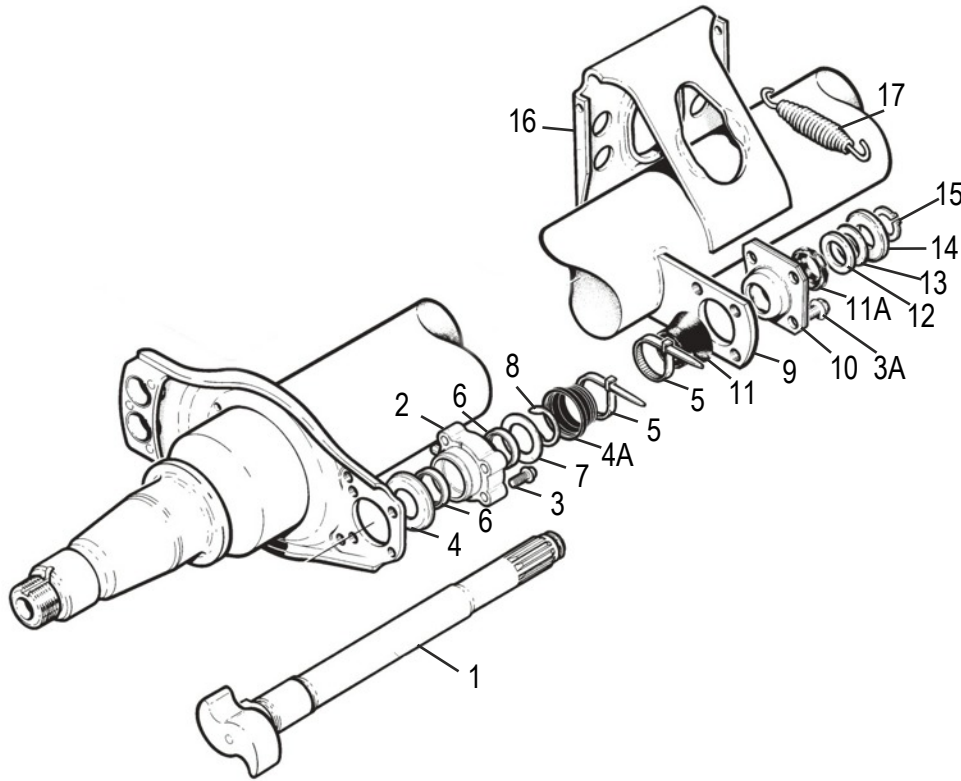
Notes: \* Must be used with items 2 & 8  
 \*\*NSS Not sold separately available in camshaft kit ST10071134

# Meritor Components

## Meritor TE Camshaft Assembly

Model	Type	Axle Codes	Date of Manufacture
TE	Drum	xTEEx/xxxxxx/QMX (420 x 180mm)	From April 2001

Notes:



AXLE & SUSPENSION

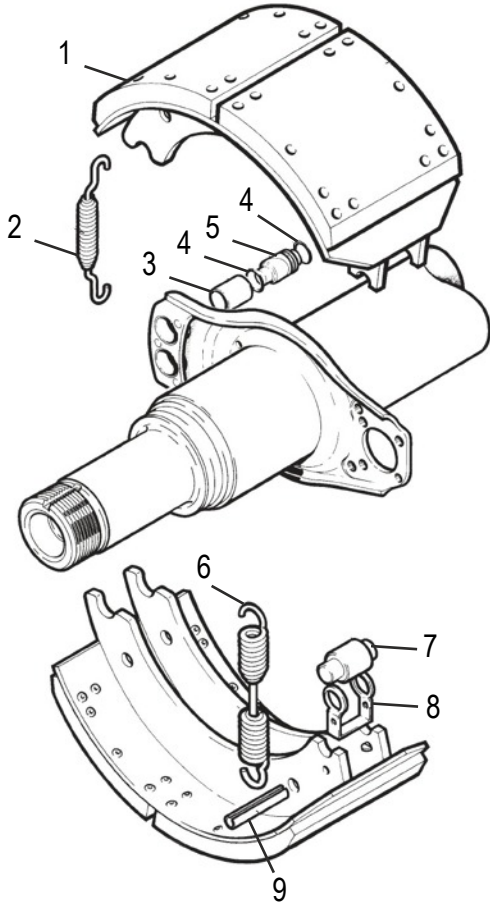
Item	Description	Part No.
1	Camshafts	See Page 1.71
2	Cam Head Bearing assembly	*NSS
3	Screw - Bearing Cam End M10 x 1.5 x 30mm	*NSS
3A	Screw - Bearing Spline End M10 x 1.5 x 20mm	*NSS
4	Washer Seal	*NSS
4A	Boot - Cam End	*NSS
5	Tie Wrap	ST10079306
6	Lip Seal (Part Of Item 2)	*NSS
7	Washer	ST10079513
8	Snap Ring	ST10079321
9	Camshaft Bracket	ST10079310
10	Spline End Bearing assembly	ST10072587
11	Inner Boot - Spline End	*NSS
11A	Outer Boot - Spline End	*NSS
12	Washer - Spacing Thick	ST10072592
13	Washer - Spacing Thin	ST10072592
14	Retaining Washer	ST10072517
15	Circlip	ST10073359
16	Air Chamber Bracket	ST10074704
17	Assister Spring	ST10071132
	25g Sachet Meritor Grease (Not Shown)	ST10079322
	400g Cartridge Meritor Brake Grease	ST10079489

Notes: \*NSS Not sold separately available in camshaft kit ST10072242

# Meritor Components

## Meritor TA & TC Axle Assembly

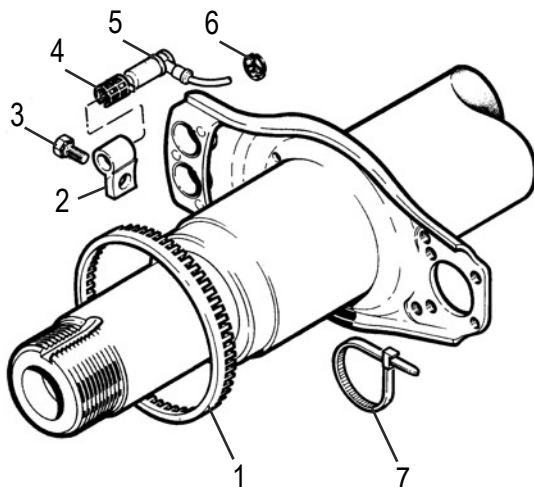
Model	Type	Axle Codes
TA, TC	Drum	xTAx/xxxxxx/QMX (420 x 180mm), xTAx/xxxxxx/ZMX (420 x 220mm) xTCx/xxxxxx/QMX (420 x 180mm), xTCx/xxxxxx/ZMX (420 x 220mm)
Notes:		



## Meritor TA & TC Brake Assembly

Item	Description	Part No.
1	Brake shoe lined assy 420 x 180 - IL66/67	See Page 1.173 - 1.174
1	Brake shoe lined assy 420 x 220 - FU4/5	
2	Retainer spring	ST10071041
3	Bush, anchor pin	ST10071825
4	'O' ring, anchor pin	ST10071050
5	Anchor pin	ST10071040
6	Release spring	ST10071051
7	Cam roller	ST10071038
8	Roller retaining clip	ST10071057
9	Pin	ST10071048

Notes:



## Meritor TA & TC ABS Assembly

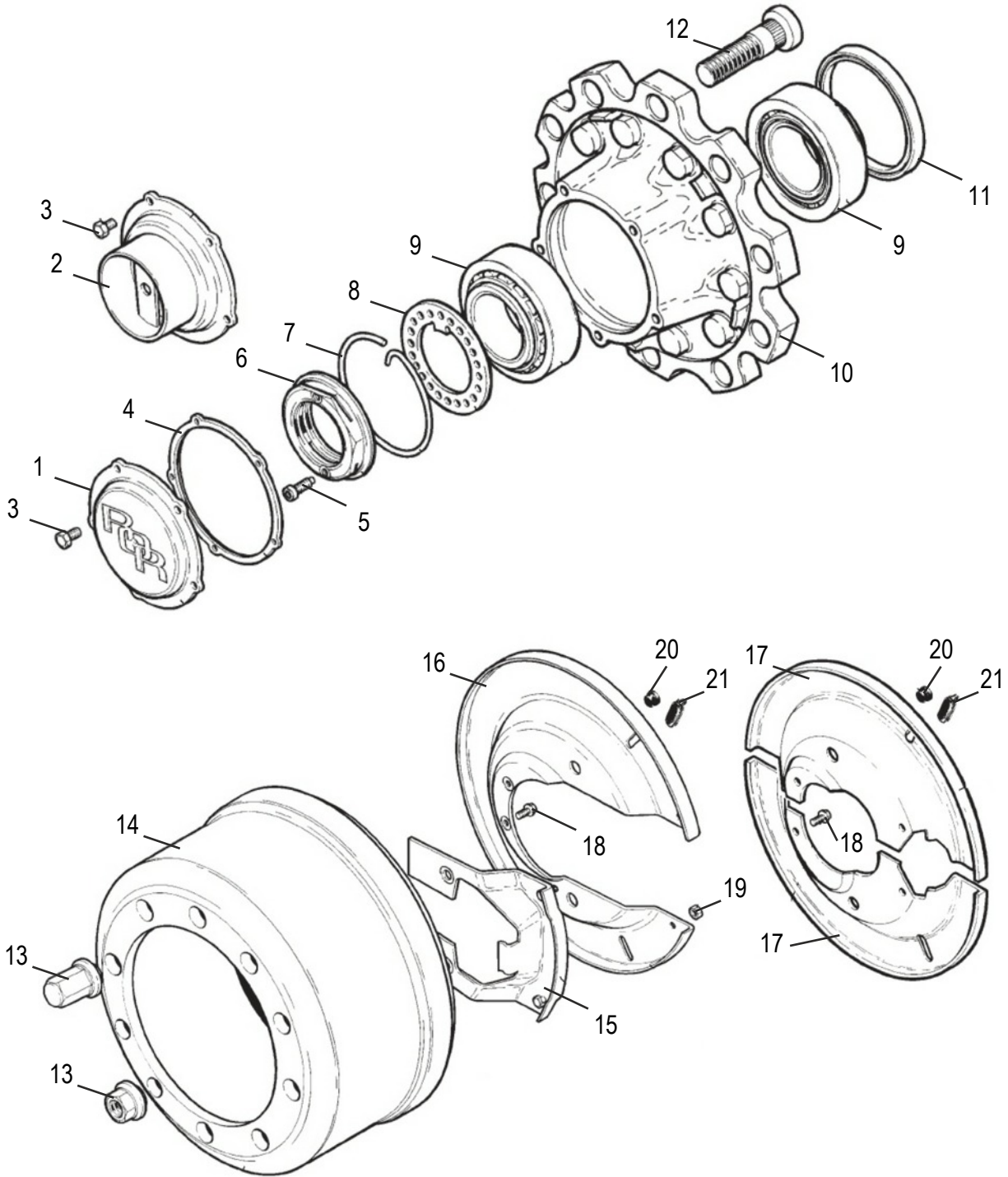
Item	Description	Part No.
1	Pole Wheel	ST10074470
2	Sensor Block	ST10079490
3	Screw - Sensor Block	ST10079491
4	Spring Clip	ST10079340
5	Sensor	ST10074634
6	Strain Relief Bush	ST10079492
7	Cable Tie	ST10079306
	Grease For Sensor Bush (Not Shown)	ST10079322

Notes:

# Meritor Components

## Meritor TA & TC Hub Assembly

Model	Type	Axle Codes
TA, TC	Drum	xTAx/xxxxxx/QMX (420 x 180mm), xTAx/xxxxxx/ZMX (420 x 220mm) xTCx/xxxxxx/QMX (420 x 180mm), xTCx/xxxxxx/ZMX (420 x 220mm)
Notes:		



# Meritor Components

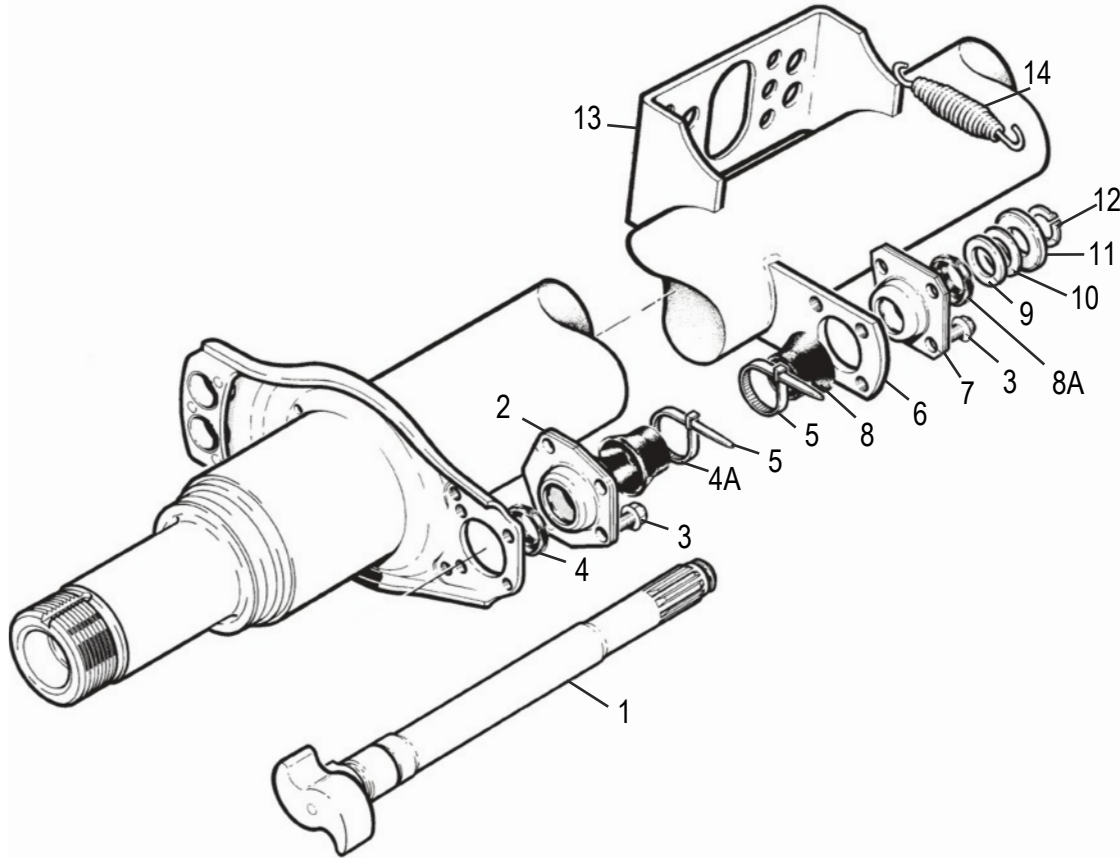
Meritor TA & TC Hub Assembly		
Item	Description	Part No.
1	Hub cap	ST10079456
2	Hub cap – hubodometer	ST10079457
3	Screw, hub cap	ST10079458
4	Gasket, hub cap	ST10079459
5	Screw, pinch nut	ST10071058
6	Pinch nut	ST10079460
7	Retaining clip	ST10072994
8	Retaining washer	ST10079461
9	Bearing, inner & outer	ST10071167
10	TA Hub assembly, twin & single wheel	ST10079470
10	TC Hub assembly (not shown)	See Page 1.65
11	Oil seal	ST10071081
12	Wheel bolt, steel single wheel	ST10072794
12	Wheel bolt, steel twin wheel, aluminium single wheel	ST10072313
12	Wheel bolt, aluminium twin wheel	ST10079282
13	Wheel Nut - Universal Steel/Alloy 32mm Across Flats Open (Phosphate) (Dark)	ST10072301
13	Wheel Nut - Universal Steel/Alloy 32mm Across Flats Open (Dacromet) (Silver)	ST10072150
13	Wheel Nut - Universal Steel/Alloy 32mm Across Flats Capped (Phosphate) (Dark)	ST10079336
13	Wheel Nut - Universal Steel/Alloy 32mm Across Flats Capped (Dacromet) (Silver)	ST10078023
14	Brake drum, 420 x 180mm 'Q'	ST10071080
14	Brake drum, 420 x 220mm 'Z'	ST10079512
15	Filler plate, dust cover, 420 x 180mm 'Q' brake only	ST10072125
15	Filler plate, dust cover, 420 x 180mm 'Q' brake only, after April 2001	ST10071788
16	Dust cover, 420 x 180mm 'Q' brake only	ST10072126
17	Dust cover pair, 420 x 220mm 'Z' brake only	ST10074426
18	Screw, dust cover, 'Q' & 'Z' M10 x 1.5mm x 20mm	Obsolete
19	Nut, filler plate, dust cover, 420 x 180mm 'Q' brake only	ST10079295
20	Plug, blanking, 'Q' & 'Z'	ST10079284
21	Plug, inspection, 'Q' & 'Z'	ST10079296
	400g Cartridge MERITOR hub grease (not shown)	C021500114
	100g Tube Optimol White Paste (not shown)	ST10079487
Notes:		

# Meritor Components

## Meritor TA & TC Camshaft Assembly

Model	Type	Axle Codes	Date of Manufacture
TA, TC	Drum	xTAX/xxxxxx/QMX (420 x 180mm), xTAX/xxxxxx/ZMX (420 x 220mm) xTCx/xxxxxx/QMX (420 x 180mm), xTCx/xxxxxx/ZMX (420 x 220mm)	Up to March 2001

Notes:

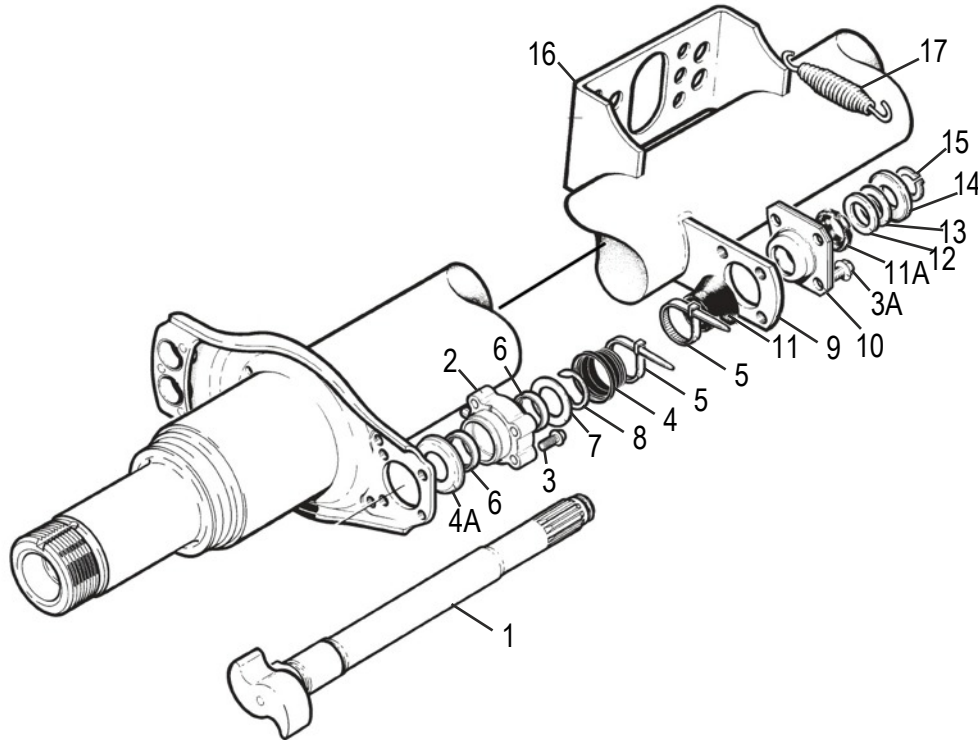


Item	Description	Part No.
1	Camshafts	See Page 1.71
2	Cam Head Bearing assembly	ST10072795
3	Screw - Bearing M10 x 1.5mm x 20mm	Obsolete
4	Inner Boot - Cam End	ST10079493
4A	Outer Boot - Cam End	ST10079494
5	Tie Wrap	ST10079306
6	Camshaft Bracket (Axles Built After Sept 99)	ST10079310
7	Spline End Bearing assembly	ST10072587
8	Inner Boot - Spline End	*NSS
8A	Outer Boot - Spline End	*NSS
9	Washer - Spacing Thick	ST10072593
10	Washer - Spacing Thin	ST10072592
11	Retaining Washer	ST10072517
12	Circlip	ST10073359
13	Air Chamber Bracket	ST10079304
14	Assister Spring	ST10071132
	25g Sachet Meritor Grease (Not Shown)	ST10079322
	400g Cartridge Meritor Brake Grease	ST10079489

Notes: \*NSS Not sold separately available in camshaft kit ST10071134

# Meritor Components

Meritor TA & TC Camshaft Assembly			
Model	Type	Axle Codes	Date of Manufacture
TA, TC	Drum	xTAx/xxxxxx/QMX (420 x 180mm), xTAx/xxxxxx/ZMX (420 x 220mm) xTCx/xxxxxx/QMX (420 x 180mm), xTCx/xxxxxx/ZMX (420 x 220mm)	From April 2001
Notes:			



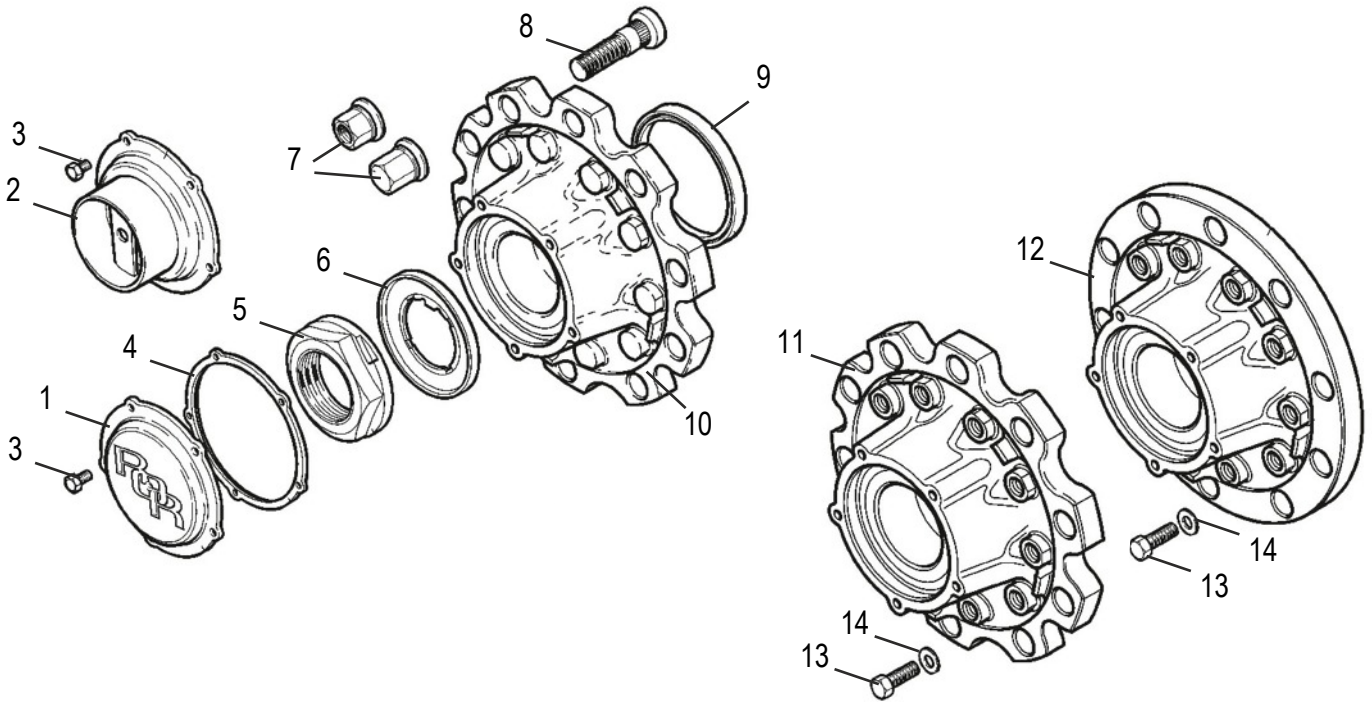
Item	Description	Part No.
1	Camshafts	See Page 1.71
2	Cam Head Bearing assembly	*NSS
3	Screw - Bearing Cam End M10 x 1.5mm x 30mm	*NSS
3A	Screw - Bearing Spline End M10 x 1.5mm x 16mm	ST10073474
4	Washer Seal	*NSS
4A	Boot - Cam End	*NSS
5	Tie Wrap	ST10079306
6	Lip Seal (Part Of Item 2)	*NSS
7	Washer	ST10079513
8	Snap Ring	ST10079321
9	Camshaft Bracket	ST10079310
10	Spline End Bearing assembly	ST10072587
11	Inner Boot - Spline End	*NSS
11A	Outer Boot - Spline End	*NSS
12	Washer - Spacing Thick	ST10072593
13	Washer - Spacing Thin	ST10072592
14	Retaining Washer	ST10072517
15	Circlip	ST10073359
16	Air Chamber Bracket	ST10079304
17	Assister Spring	ST10071132
	25g Sachet Meritor Grease (Not Shown)	ST10079322
	400g Cartridge Meritor Brake Grease	ST10079489

Notes: \*NSS Not sold separately available in camshaft kit ST10072242

# Meritor Components

## Meritor TA & TC Hub Assembly

Model	Type	Axle Codes
TC	Disc & Drum	xTCx/xxxxxx/QMX (420 x 180mm), xTCx/xxxxxx/ZMX (420 x 220mm), xTCx/xxxxxx/HMX, xTCx/xxxxxx/EMX, xTCx/xxxxxx/KMX, xTCx/xxxxxx/DMX, xTCx/xxxxxx/JMX
Notes:		



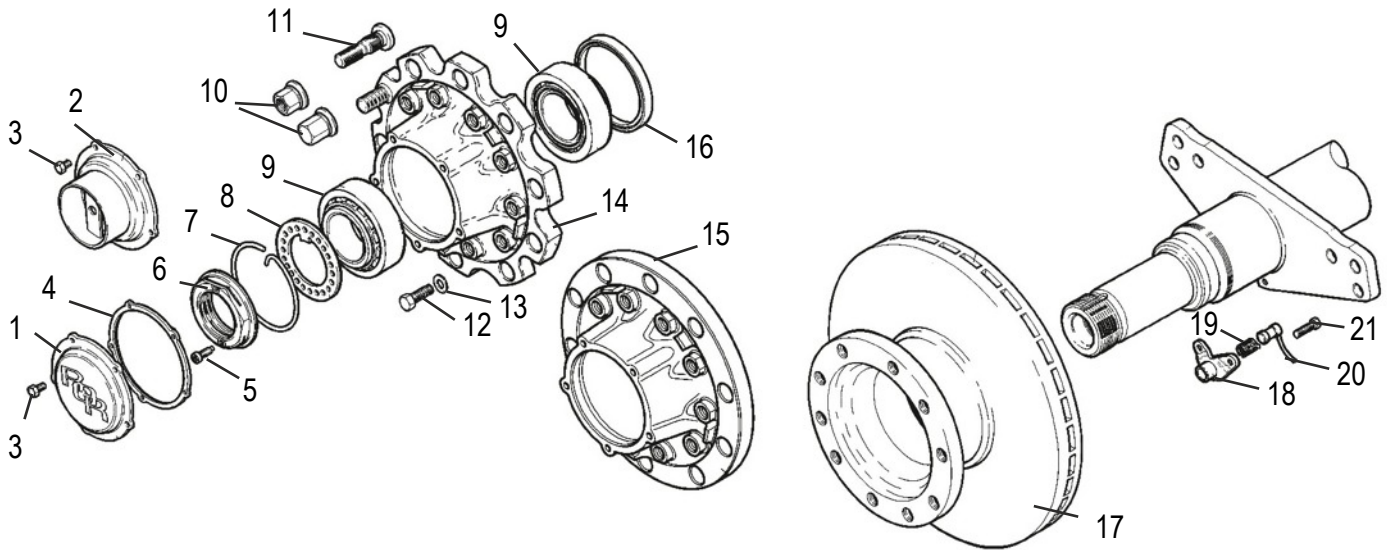
Item	Description	Part No.
1	Hub cap	ST10079456
2	Hub cap, hubodometer	ST10079457
3	Screw, hub cap	ST10079458
4	Gasket, hub cap	ST10079459
5	Axle end nut	Obsolete
6	Stake washer assembly	Obsolete
7	Wheel Nut - Universal Steel/Alloy 32mm Across Flats Open (Phosphate) (Dark)	ST10072301
7	Wheel Nut - Universal Steel/Alloy 32mm Across Flats Open (Dacromet) (Silver)	ST10072150
7	Wheel Nut - Universal Steel/Alloy 32mm Across Flats Capped (Phosphate) (Dark)	ST10079336
7	Wheel Nut - Universal Steel/Alloy 32mm Across Flats Capped (Dacromet) (Silver)	ST10078023
8	Wheel bolt, steel single & twin wheel	ST10073989
8	Wheel bolt, aluminium, single wheel	ST10072313
8	Wheel bolt, aluminium, twin wheel	ST10079465
9	Oil seal unitised	ST10071081
10	TC Hub assembly, drum brake, single & twin wheel	ST10079470
11	TC Hub assembly, disc brake, twin wheel only	ST10079467
12	TC Hub assembly, disc brake, single wheel only	Obsolete
13	M16 x 65mm Disc mounting bolt	ST10079277
14	Hardened washer	ST10077488

Notes:



# Meritor Components

Meritor Duco Hub Disc & ABS Assembly		
Model	Type	Axle Codes
TA, TC	Disc	xTAx/xxxxxx/DMX, xTCx/xxxxxx/DMX (Duco)
Notes:		

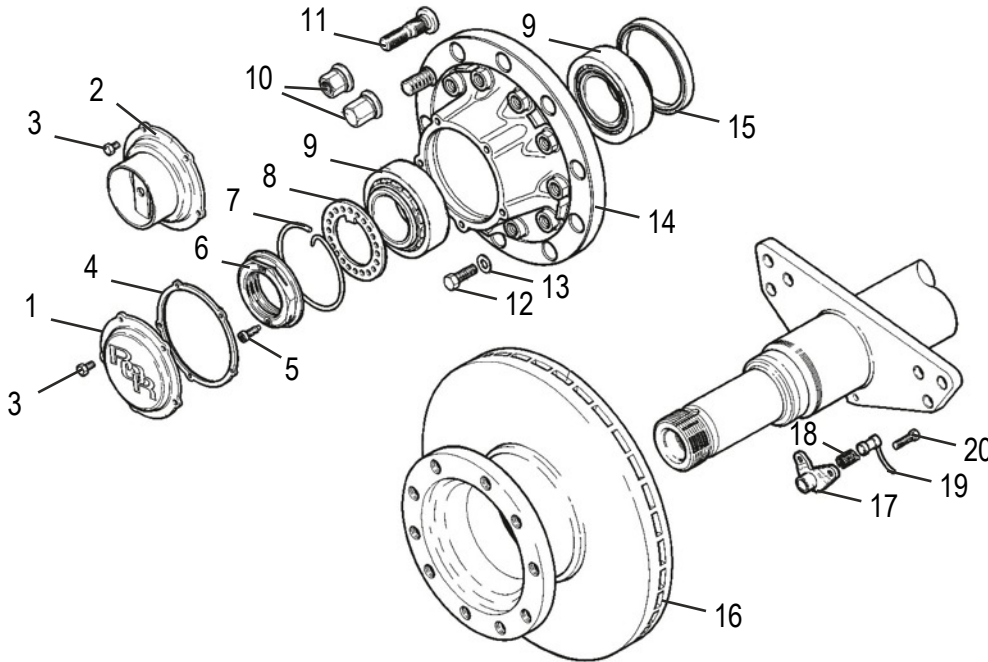


Item	Description	Part No.
1	Hub cap	ST10079456
2	Hub cap, hubodometer	ST10079457
3	Screw, hub cap	ST10079458
4	Gasket, hub cap	ST10079459
5	Screw, pinch nut	ST10071058
6	Pinch nut	ST10079460
7	Retaining clip	ST10072994
8	Retaining washer	ST10079461
9	Bearing, inner & outer	ST10071167
10	Wheel Nut - Universal Steel/Alloy 32mm Across Flats Open (Phosphate) (Dark)	ST10072301
10	Wheel Nut - Universal Steel/Alloy 32mm Across Flats Open (Dacromet) (Silver)	ST10072150
10	Wheel Nut - Universal Steel/Alloy 32mm Across Flats Capped (Phosphate) (Dark)	ST10079336
10	Wheel Nut - Universal Steel/Alloy 32mm Across Flats Capped (Dacromet) (Silver)	ST10078023
11	Wheel bolt, steel single & twin wheel	ST10073989
11	Wheel bolt, aluminium, single wheel	ST10072313
11	Wheel bolt, aluminium, twin wheel	ST10079465
12	M16 x 65mm Disc mounting bolt	ST10079277
13	Hardened washer	ST10077488
14	TA Hub assembly, disc brake, twin wheel only	ST10079467
15	TA Hub assembly, disc brake, single wheel only	ST10079463
15	TC Hub assembly, disc brake (not shown)	See Page 1.65
16	Oil seal	ST10071081
17	Brake disc	ST10071150
18	Sensor block	ST10079464
19	Spring clip	ST10079340
20	Sensor	ST10074634
21	Screw, sensor block	ST10079341
Notes:		

# Meritor Components

## Meritor Elsa 2 Hub Disc & ABS Assembly

Model	Type	Axle Codes
TA, TC	Disc	xTAx/xxxxxx/EMX, xTCx/xxxxxx/EMX
Notes:		

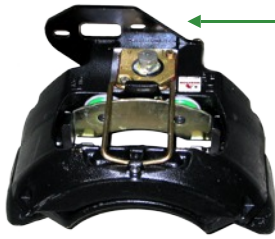


Item	Description	Part No.
1	Hub cap	ST10079456
2	Hub cap, hubodometer	ST10079457
3	Screw, hub cap	ST10079458
4	Gasket, hub cap	ST10079459
5	Screw, pinch nut	ST10071058
6	Pinch nut	ST10079460
7	Retaining clip	ST10072994
8	Retaining washer	ST10079461
9	Bearing, inner & outer	ST10071167
10	Wheel Nut - Universal Steel/Alloy 32mm Across Flats Open (Phosphate)	ST10072301
10	Wheel Nut - Universal Steel/Alloy 32mm Across Flats Open (Dacromet)	ST10072150
10	Wheel Nut - Universal Steel/Alloy 32mm Across Flats Capped (Phosphate)	ST10079336
10	Wheel Nut - Universal Steel/Alloy 32mm Across Flats Capped (Dacromet)	ST10078023
11	Wheel bolt, steel, single wheel	ST10073989
11	Wheel bolt, aluminium, single wheel	ST10072313
12	M16 x 65mm Brake disc mounting bolt	ST10079466
13	Hardened washer	ST10077488
14	TA Hub assembly, single wheel only	ST10079463
14	TC Hub assembly (not shown)	See Page 1.65
15	Oil seal	ST10071081
16	Brake disc	ST10071150
17	Sensor block	ST10079464
18	Spring clip	ST10079340
19	Sensor	ST10074634
20	Screw, sensor block	ST10079341

Notes:

# Meritor Components

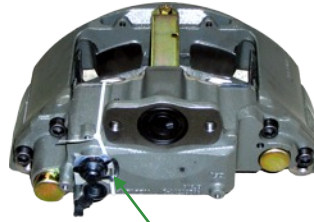
## Meritor Brake Calipers



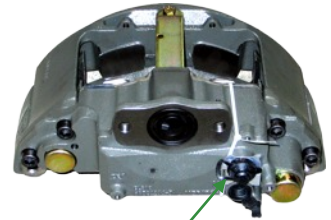
ST10073492  
ST10071077



ST10073493  
ST10071078



ST10071758  
ST10071478  
ST10071687  
ST10073327  
ST10077375



ST10077381  
ST10071479  
ST10071688  
ST10073328  
ST10077376

Axle Ref	Type	Wheel Size	Hand	New Caliper	Casting No.	Recon Caliper	Caliper Housing Kit	Brake Disc	Brake Pads
xxxx/xxxxxx/HMX	DX195	19.5"	LH	ST10071077	25/33/47/51K	ST10073492		10 stud / ABS ST10071059 8 stud / ABS ST10073634 8 stud Non ABS ST10077382	ST10071151
			RH	ST10071078	26/34/48/52K	ST10073493			
xxxx/xxxxxx/KMX	ELSA 195	19.5"	LH	ST10071758	68325328/ 5327/4644	N/A	ST10076633	10 stud / ABS ST10071059 8 stud / ABS ST10073634 8 stud Non ABS ST10077382	ST10072685
			RH	ST10077381	68325329/ 5326/4643	N/A	ST10076632		
xxxx/xxxxxx/EMX	ELSA 2	22.5"	LH	ST10071447	68324619/ 4245	ST10071478	ST10073570	10 stud / ABS ST10071150	ST10072421
			RH	ST10071479	68324618/ 4244	ST10071479	ST10073571		
xxxx/xxxxxx/JMX	ELSA 225-2	22.5"	LH	ST10077375	3263Q1343/ L1338	N/A	ST10077377	10 stud / ABS ST10071150	ST10077379
			RH	ST10077376	3263P1342/ K1337	N/A	ST10077378		
xxxx/xxxxxx/DMX (18mm mounting bolts)	Duco	22.5"	LH	ST10071687	68323925 I/D 68033331/4553	N/A	ST10071687	10 stud / ABS ST10071150	ST10072201
			RH	ST10071688	68323926 I/D 68033332/4554	N/A	ST10071688		
xxxx/xxxxxx/DMX (20mm mounting bolts)	Duco	22.5"	LH	ST10073327	68323925 I/D 68033116/2959/5066	N/A		10 stud / ABS ST10071150	ST10072201
			RH	ST10073328	68323926 I/D 68033117/2960/5067	N/A			

Notes: Meritor offer an alternative value range of discs & pads for their own axles, for details see pages 1.168 - 1.171

It is important to note that the L/H caliper could be mounted on the right hand side of the vehicle. This situation could also apply to the right hand caliper due to the installation of the axle. Therefore it is recommended to confirm caliper I/D by the position of the adjuster cap.

# Meritor Components

## ELSA 195, ELSA 225-2 & DUCO Disc Brake Chambers



Type	LH Part No.	RH Part No.
T16/24	ST10079703	ST10079704
T18/24	ST10079705	ST10072254
T20/24	ST10073990	ST10079472
T22/24	ST10073366	ST10073367
T24/24	ST10071972	ST10071902

Notes: Notes: LH & RH Shown are for Underslung Suspensions Please swap when using overslung

## ELSA 2 Disc Brake Chambers



Type	LH Part No.	RH Part No.
T14/24	ST10072521	ST10072522
T16/24	ST10072533	ST10072534
T18/24	ST10071062	ST10071063
T20/24	ST10079474	ST10079475
T22/24	ST10079476	ST10079477
T24/24	ST10079478	ST10079479

Notes:

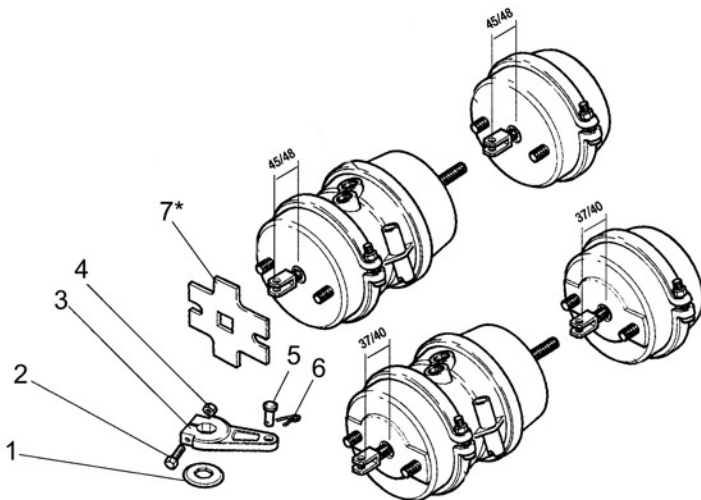
## DX 195 Disc Brake Chambers



Type	Ports	LH / RH Part No.
T18/24	M16 X 1.5	ST10079480
T20/24	M16 X 1.5	ST10071061
T22/24	M16 X 1.5	ST10072487
T24/24	M16 X 1.5	ST10071060

Notes: Notes: In Tandem Applications a Hot Type is required (Higher output Torque)  
Type 24/24 Use SC2114897 41227590 RH & SC2114896 41227591 LH

AXLE & SUSPENSION



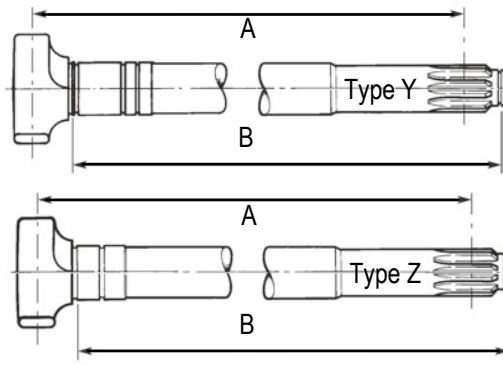
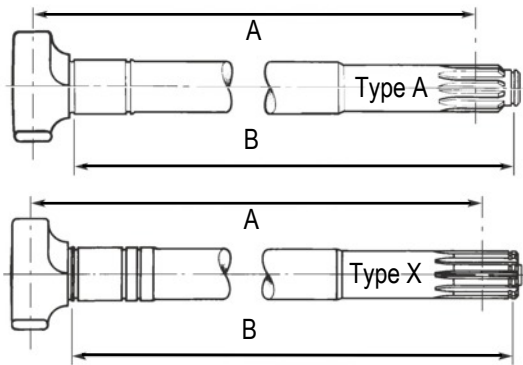
### Brake Chamber Components

Item	Description	OEM Ref
1	Lever Boot	ST10079342
2	Clamp Bolt M8 x 60	ST10077277
3	Lever 80mm	ST10079343
3	Lever 90mm	ST10072830
4	Nut M8	ST10077276
5	Clevis Pin	ST10072518
6	R Clip	ST10072995
7*	Spacer Plate	Obsolete

Notes: \* Item 7 Must Be Used With Push Rod Length of 45/48mm Only.

# Meritor Components

## Camshafts - TM



L/H CAM



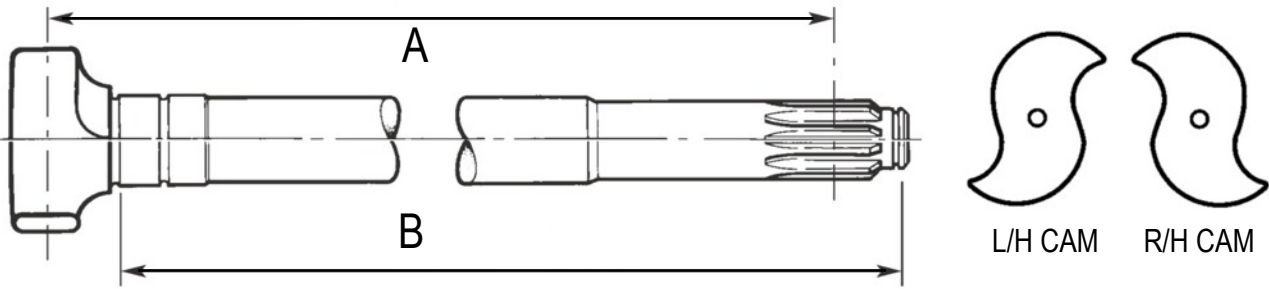
R/H CAM

Right Hand	Left Hand	A	B	Brake Size	Type
ST10079353	ST10079354	521.48mm	525.5mm	420mm	(Type A)
ST10074424	ST10074425	583.48mm	587.5mm	420mm	(Type A)
ST10079355	ST10079356	605.98mm	610mm	420mm	(Type A)
ST10079359	ST10079360	632.98mm	637mm	420mm	(Type A)
ST10079375	ST10079376	605.98mm	610mm	420mm	(Type Z)
ST10079440	ST10072526	632.98mm	637mm	420mm	(Type Z)
ST10079404	ST10079405	622.98mm	627mm	420mm	(Type Y)
ST10073962	ST10073963	632.98mm	637mm	420mm	(Type Y)
ST10072797	ST10072798	521.48mm	525.5mm	350mm	(Type Y)
ST10074893	ST10074894	570.98mm	575mm	350mm	(Type Y)
ST10079406	ST10079407	605.98mm	610mm	350mm	(Type Y)
ST10079408	ST10079409	632.98mm	637mm	350mm	(Type Y)
ST10073584	ST10073585	521.48mm	525.5mm	310mm	(Type Y)
ST10079410	ST10079411	570.98mm	575mm	310mm	(Type Y)
ST10073385	ST10073386	605.98mm	610mm	310mm	(Type Y)
ST10079412	ST10079413	632.98mm	637mm	310mm	(Type Y)

Notes: Type X has been superseded by type Z

# Meritor Components

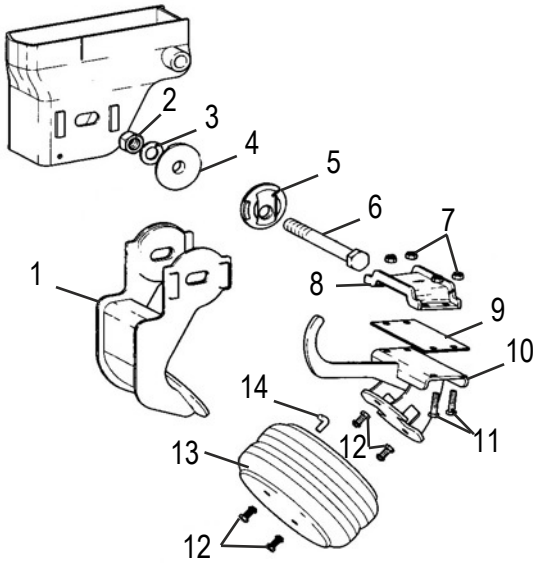
## Camshafts - LM, LC, TE, TA, TC



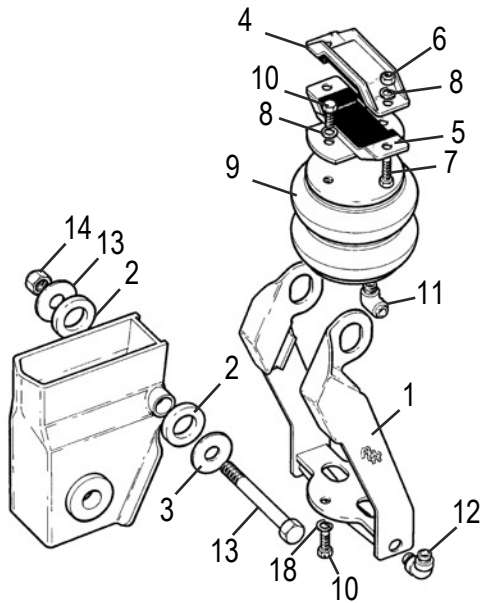
Right Hand	Left Hand	A	B	Type
ST10071165	ST10071166	521mm	525.5mm	LM & LC - upto 31st March 2001
ST10074306	ST10074307	544.5mm	549mm	LM & LC - upto 31st March 2001
ST10071205	ST10071206	583mm	587.5mm	LM & LC - upto 31st March 2001
ST10076690	ST10076516	605.5mm	610mm	LM & LC - upto 31st March 2001
ST10079426	ST10079427	632.5mm	637mm	LM & LC - upto 31st March 2001
ST10072827	ST10072826	521mm	525.5mm	LM & LC - From 1st April 2001
ST10073294	ST10073293	544.5mm	549mm	LM & LC - From 1st April 2001
ST10072520	ST10076843	583mm	587.5mm	LM & LC - From 1st April 2001
ST10079432	ST10079433	605.5mm	610mm	LM & LC - From 1st April 2001
ST10079353	ST10079354	521.48mm	525.5mm	TE - From 1st April 2001
ST10074424	ST10074425	583.0mm	587.5mm	TE - From 1st April 2001
ST10079375	ST10079376	605.5mm	610mm	TA & TC - upto 31st March 2001
ST10079440	ST10072526	632.5mm	637mm	TA & TC - upto 31st March 2001
ST10079353	ST10079354	521mm	525.5mm	TA & TC - From 1st April 2001
ST10074424	ST10074425	583mm	587.5mm	TA & TC - From 1st April 2001
ST10079355	ST10079356	605.5mm	610mm	TA & TC - From 1st April 2001
ST10079359	ST10079360	632.5mm	637mm	TA & TC - From 1st April 2001

Notes:

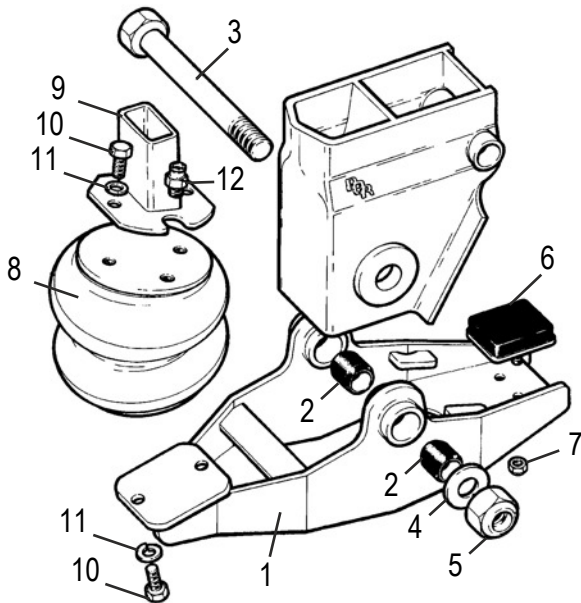
# Meritor Components



Dual Cradle Lift Parts List Suitable For Flexair NB Tracked		
Item	Description	Part No.
1	Lift Welded Assy R/H	ST10079583
1	Lift Welded Assy L/H	ST10079584
2	Pivot Nut M24	ST10071172
3	Pivot Washer M25	ST10071234
4	Tracking Bush Eccentric M24	ST10076563
5	Tracking Bush Concentric M24	ST10076562
6	Pivot Bolt M24 x 225mm	ST10072516
7	Nut M10	Obsolete
8	Top Clamp	ST10079586
9	Clamp Shim	Obsolete
10	Clamp Welded Assy	ST10079588
11	Bolt M10 x 40mm	ST10079589
12	Screw M10 x 25mm	Obsolete
13	Airspring	ST10077199
14	Elbow Adaptor	ST10079591



Dual Cradle Lift Parts List Suitable For FL9000 & FL9000L		
Item	Description	Part No.
1	Cradle Assy	ST10079592
2	Spacer Tube	Obsolete
3	M24 Form D Washer	ST10079594
4	Clamp - Top Half	ST10079595
5	Clamp - Bottom Half	ST10079596
6	Nut M10	Obsolete
7	Screw M10 x 40mm	ST10079589
8	Spring Washer M10	Obsolete
9	Airspring	ST10077199
10	Screw M10 x 25mm	Obsolete
11	Stud Elbow Adaptor	ST10079598
12	Elbow Adaptor	ST10079591
13	Bolt M24 x 250mm	ST10077047
14	Nut M24	ST10079599



Axle Lift Parts List Suitable For FL9000M & FL11000		
Item	Description	Part No.
1	Lift Arm M30	ST10079600
1	Lift Arm M24	ST10079601
2	Pivot Bush M30	ST10073894
2	Pivot Bush M24	ST10079602
3	Pivot Bolt M30 x 290mm	ST10073895
3	Pivot Bolt M24 x 300mm	ST10074393
4	Pivot Washer M30	ST10071170
4	Pivot Washer M24	ST10071234
5	Pivot Nut M30	ST10071171
5	Pivot Nut M24	ST10071172
6	Rubber Pad	ST10073896
7	Nut M8	ST10076753
8	Airspring	ST10077452
9	Airspring Pedestal Assy	Contact Local Branch
10	Top/Lower Airspring Screw M10	Obsolete
11	Top/Lower Airspring Washer M10	Obsolete
12	Stud Coupling	ST10079603

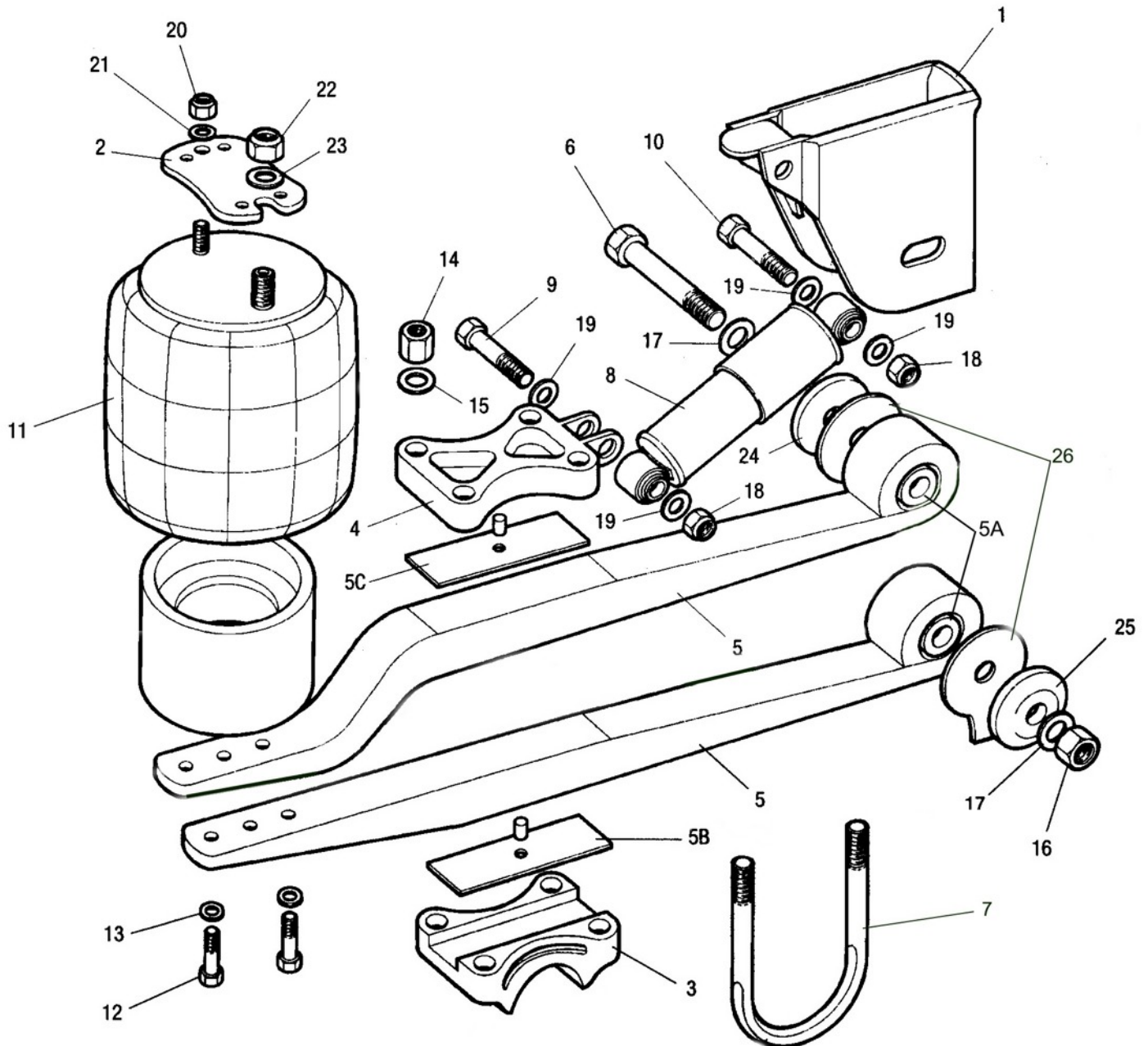
AXLE & SUSPENSION

# Meritor Components

Meritor Suspension XL9000, XL9000H

Notes:

AXLE & SUSPENSION





# Meritor Components

Meritor Suspension XL9000, XL9000H			
Item	Description	Part No.	Part No.
		XL9000	XL9000H
1	Frame Mounting Bracket	Contact your local branch	
2	Air Spring Pedestal	Contact your local branch	
3	Spring Seat	Obsolete	Obsolete
4	U Bolt Plate	ST10079442	ST10079442
5	Trailing Arm Assy c/w Bush - M24 (Cranked)	ST10079443	
5	Trailing Arm Assy c/w Bush - M24 (Straight)		ST10077776
5A	Pivot Bush M24	ST10079444	ST10079444
5B	Shim	ST10073407	ST10073407
5C	Shim	Obsolete	Obsolete
6	Pivot Bolt M24	ST10079446	ST10079446
7	U Bolt M24	ST10079447	ST10079447
8	Shock Absorber	ST10079448	ST10079448
9	Shock Absorber Bolt - Bottom M16	ST10077486	ST10077486
10	Shock Absorber Bolt - Top M16	ST10077486	ST10077486
11	Airspring	ST10071053	ST10071053
12	Bolt M12 x 55mm	ST10079449	ST10079449
13	Spring Washer M12	ST10079450	ST10079450
14	U Bolt Nut M24	ST10071052	ST10071052
15	U Bolt Washer M24	ST10071054	ST10071054
16	Pivot Nut M24	ST10071172	ST10071172
17	Pivot Washer M24	ST10071234	ST10071234
18	Shock Absorber Nut M16	ST10077487	ST10077487
19	Shock Absorber Washer M16	ST10077488	ST10077488
20	Nut M12	ST10072673	ST10072673
21	Washer M12	Obsolete	Obsolete
22	Nut M22	ST10079452	ST10079452
23	Washer M22	Obsolete	Obsolete
24	Tracking Bush Eccentric M24	ST10076563	ST10076563
25	Tracking Bush Concentric M24	ST10076562	ST10076562
26	Wear Plate Tracked M24	ST10073192	ST10073192

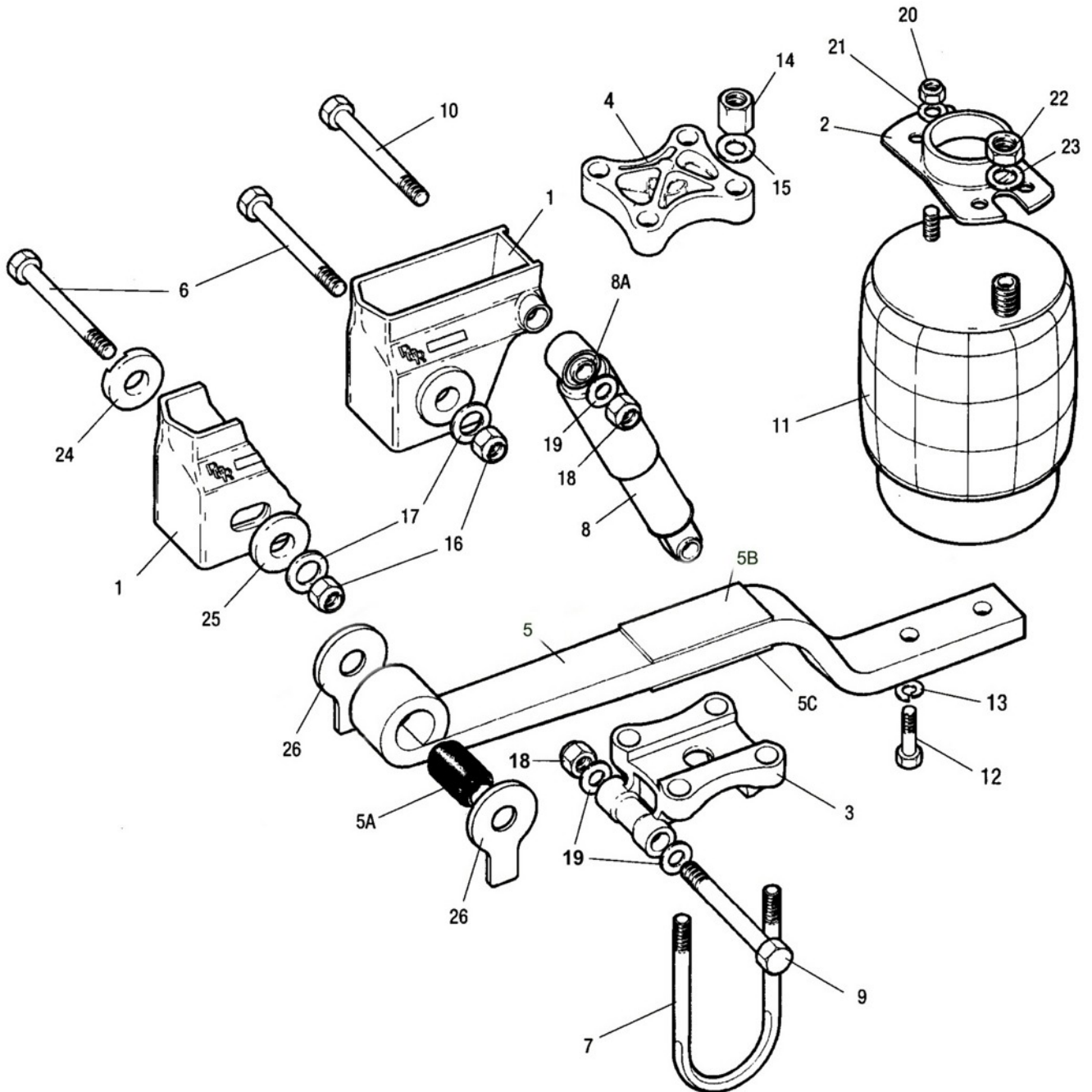
Notes:

AXLE & SUSPENSION

# Meritor Components

## Meritor Suspension FL9000NB

Notes:



AXLE & SUSPENSION

# Meritor Components

Meritor Suspension FL9000NB		
Item	Description	Part No.
1	Frame Mounting Bracket	Contact your local branch
2	Air Spring Pedestal	Contact your local branch
3	Spring Seat Left	ST10071667
3	Spring Seat Right	ST10071668
4	U Bolt Plate	ST10079454
5	Trailing Arm Assy c/w Bush - M24	ST10073528
5A	Pivot Bush M24	ST10071164
5B	Shim	ST10076675
5C	Shim	ST10076676
6	Pivot Bolt M24 x 195mm	ST10072128
7	U Bolt M24 x 280mm	ST10071055
8	Shock Absorber	ST10071204
8A	Shock Absorber Bush	ST10074676
9	Shock Absorber Bolt - Bottom M24 x 250mm	ST10077047
10	Shock Absorber Bolt - Top M24 x 250mm	ST10077047
11	Airspring	ST10071053
12	Bolt M12 x 55mm	ST10079449
13	Spring Washer M12	ST10079450
14	U Bolt Nut M24	ST10071052
15	U Bolt Washer M24	ST10071054
16	Pivot Nut M24	ST10071172
17	Pivot Washer M24	ST10071234
18	Shock Absorber Nut M24	ST10071172
19	Shock Absorber Washer M24	ST10071234
20	Nut M12	Obsolete
21	Washer M12	Obsolete
22	Nut M22	ST10079452
23	Washer M22	Obsolete
24	Tracking Bush Eccentric M24	ST10076563
25	Tracking Bush Concentric M24	ST10076562
26	Wear Plate Tracked M24	ST10073192

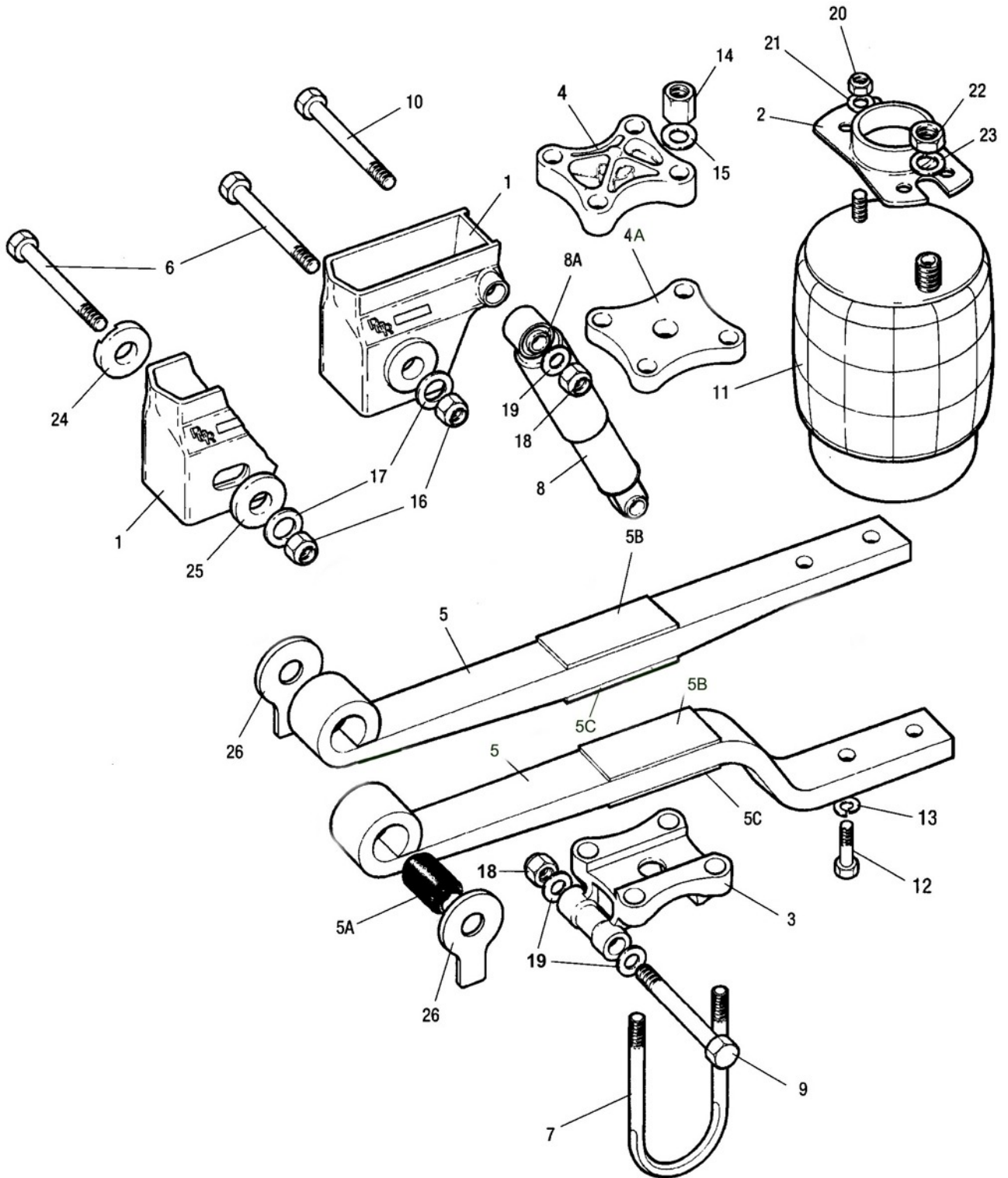
Notes:

AXLE & SUSPENSION

# Meritor Components

Meritor Suspension FL9000, FL9000H

Notes:



AXLE & SUSPENSION

# Meritor Components

Meritor Suspension FL9000, FL9000H			
Item	Description	Part No.	Part No.
		FL9000	FL9000H
1	Frame Mounting Bracket	Contact your local branch	
2	Air Spring Pedestal	Contact your local branch	
3	Spring Seat Left	ST10071667	ST10071667
3	Spring Seat Right	ST10071668	ST10071668
4	U Bolt Plate		ST10079454
4A	U Bolt Plate	ST10079454	
5	Trailing Arm Assy c/w Bush - M30 Straight		ST10079514
5	Trailing Arm Assy c/w Bush - M24 Straight (DEC 2000 On)		ST10073708
5	Trailing Arm Assy c/w Bush - M30 Cranked	ST10071358	
5	Trailing Arm Assy c/w Bush - M24 Cranked (DEC 2000 On)	ST10073528	
5A	Pivot Bush M30	ST10071163	
5A	Pivot Bush M24 (DEC 2000 On)	ST10071164	
5B	Shim	ST10076675	ST10076675
5C	Shim	ST10076676	Obsolete
6	Pivot Bolt M30 x 200mm	ST10071162	ST10071162
6	Pivot Bolt M24 x 195 (DEC 2000 On)	ST10072128	ST10072128
7	U Bolt M24 x 280mm	ST10071055	ST10071055
8	Shock Absorber	ST10071203	ST10071203
8A	Shock Absorber Bush	ST10074676	ST10074676
9	Shock Absorber Bolt - Bottom M24 x 250mm	ST10077047	ST10077047
10	Shock Absorber Bolt - Top M24 x 250mm	ST10077047	ST10077047
11	Airspring	ST10071053	ST10071053
12	Bolt M12 x 55mm	ST10079449	ST10079449
13	Spring Washer M12	ST10079450	ST10079450
14	U Bolt Nut M24	ST10071052	ST10071052
15	U Bolt Washer M24	ST10071054	ST10071054
16	Pivot Nut M30	ST10071171	ST10071171
16	Pivot Nut M24 (DEC 2000 On)	ST10071172	ST10071172
17	Pivot Washer M30	ST10071170	ST10071170
17	Pivot Washer M24 (DEC 2000 On)	ST10071234	ST10071234
18	Shock Absorber Nut M24	ST10071172	ST10071172
19	Shock Absorber Washer M24	ST10071234	ST10071234
20	Nut M12	ST10072673	ST10072673
21	Washer M12	Obsolete	Obsolete
22	Nut M22	ST10079452	ST10079452
23	Washer M22	Obsolete	Obsolete
24	Tracking Bush Eccentric M30	ST10072535	ST10072535
24	Tracking Bush Eccentric M24 (DEC 2000 On)	ST10076563	ST10076563
25	Tracking Bush Concentric M30	ST10072528	ST10072528
25	Tracking Bush Concentric M24 (DEC 2000 On)	ST10076562	ST10076562
26	Wear Plate Tracked M30	ST10072527	ST10072527
26	Wear Plate Untracked M30	Obsolete	Obsolete
26	Wear Plate Tracked M24 (DEC 2000 On)	ST10073192	ST10073192

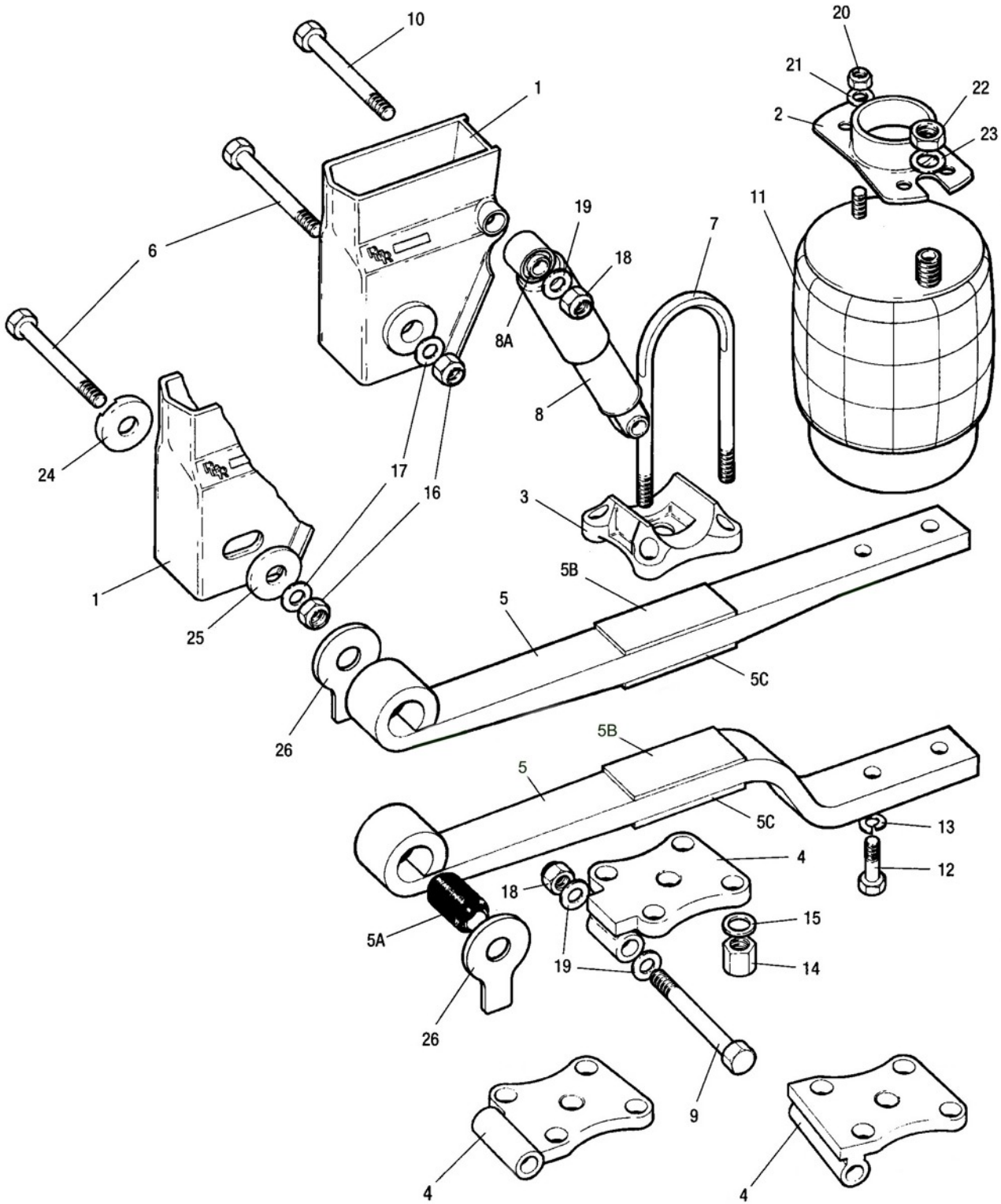
Notes:

AXLE & SUSPENSION

# Meritor Components

Meritor Suspension FL9000L, FL9000HL

Notes:



AXLE & SUSPENSION

# Meritor Components

Meritor Suspension FL9000L, FL9000HL			
Item	Description	Part No.	Part No.
		FL9000L	FL9000HL
1	Frame Mounting Bracket	Contact your local branch	
2	Air Spring Pedestal	Contact your local branch	
3	Spring Seat	ST10079517	ST10079517
4	U Bolt Plate	Obsolete	
4	U Bolt Plate L/H (Post Nov 1994) Left	Obsolete	Obsolete
4	U Bolt Plate R/H (Post Nov 1994) Right	Obsolete	Obsolete
5	Trailing Arm Assy c/w Bush - M30 Straight		ST10079514
5	Trailing Arm Assy c/w Bush - M24 Straight		ST10073708
5	Trailing Arm Assy c/w Bush - M30 Cranked	ST10071358	
5	Trailing Arm Assy c/w Bush - M24 Cranked (DEC 2000 On)	ST10073528	
5A	Pivot Bush M30	ST10071163	
5A	Pivot Bush M24 (DEC 2000 On)	ST10071164	
5B	Shim	Obsolete	ST10076675
5C	Shim	ST10076676	ST10076676
6	Pivot Bolt M30 x 200mm	ST10071162	ST10071162
6	Pivot Bolt M24 x 195 (DEC 2000 On)	ST10072128	ST10072128
7	U Bolt M24 x 280mm	ST10071055	ST10071055
8	Shock Absorber	ST10071203	ST10071203
8A	Shock Absorber Bush	ST10074676	ST10074676
9	Shock Absorber Bolt - Bottom M24 x 195mm	ST10072128	ST10072128
10	Shock Absorber Bolt - Top M24 x 250mm	ST10071426	ST10071426
11	Airspring	ST10071053	ST10071053
12	Bolt M12 x 55mm	ST10079449	ST10079449
13	Spring Washer M12	ST10079450	ST10079450
14	U Bolt Nut M24	ST10071052	ST10071052
15	U Bolt Washer M24	ST10071054	ST10071054
16	Pivot Nut M30	ST10071171	ST10071171
16	Pivot Nut M24 (DEC 2000 On)	ST10071172	ST10071172
17	Pivot Washer M30	ST10071170	ST10071170
17	Pivot Washer M24 (DEC 2000 On)	ST10071234	ST10071234
18	Shock Absorber Nut M24	ST10071172	ST10071172
19	Shock Absorber Washer M24	ST10071234	ST10071234
20	Nut M12	ST10072673	ST10072673
21	Washer M12	Obsolete	Obsolete
22	Nut M22	ST10079452	ST10079452
23	Washer M22	Obsolete	Obsolete
24	Tracking Bush Eccentric M30	ST10072535	ST10072535
24	Tracking Bush Eccentric M24 (DEC 2000 On)	ST10076563	ST10076563
25	Tracking Bush Concentric M30	ST10072528	ST10072528
25	Tracking Bush Concentric M24 (DEC 2000 On)	ST10076562	ST10076562
26	Wear Plate Tracked M30	ST10072527	ST10072527
26	Wear Plate Untracked M30	Obsolete	Obsolete
26	Wear Plate Tracked M24 (DEC 2000 On)	ST10073192	ST10073192

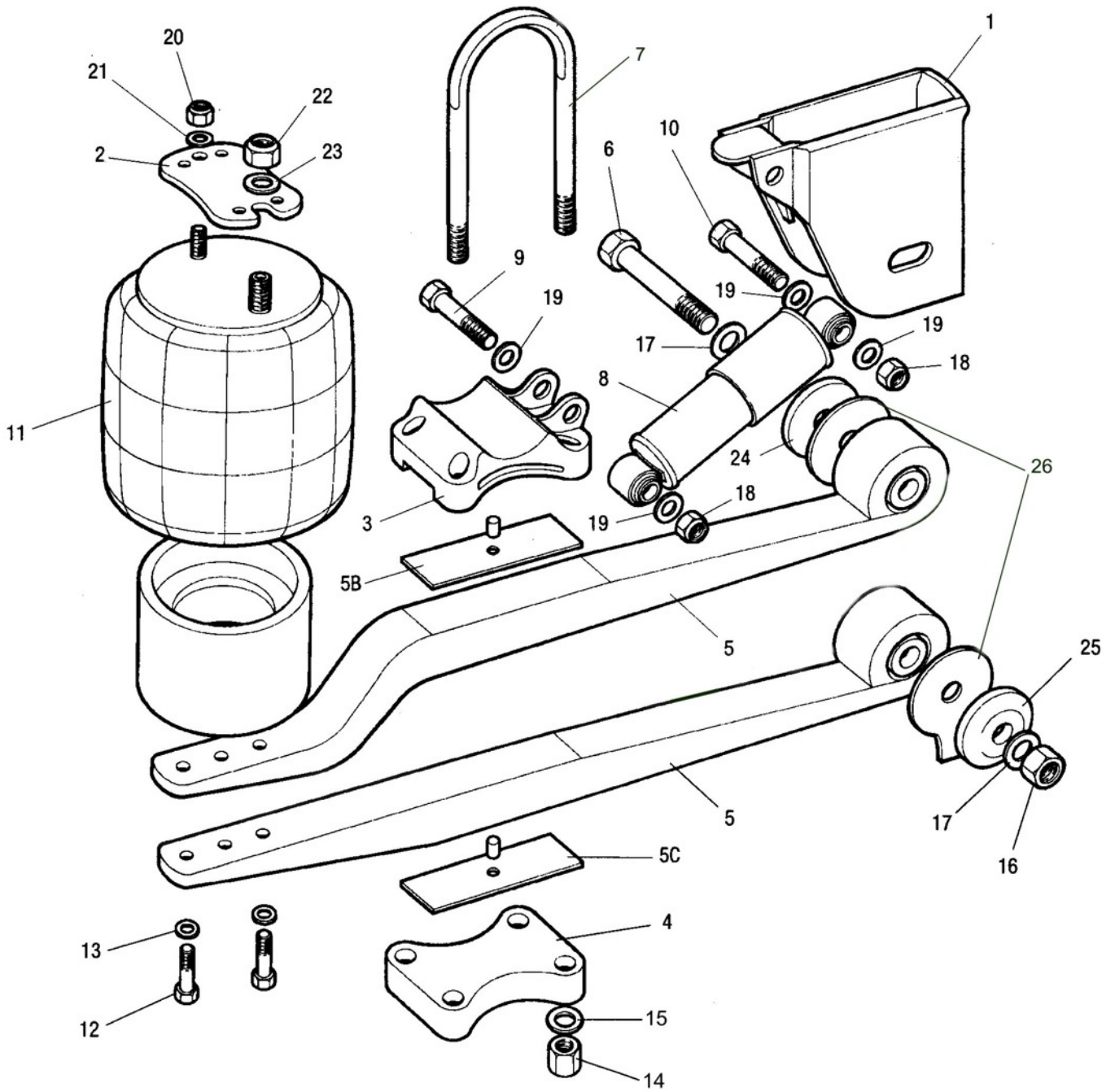
Notes:

AXLE & SUSPENSION

# Meritor Components

Meritor Suspension XL9000L, XL9000HL

Notes:



AXLE & SUSPENSION



# Meritor Components

Meritor Suspension XL9000L, XL9000HL			
Item	Description	Part No.	
		XL9000L	XL9000HL
1	Frame Mounting Bracket	Contact your local branch	
2	Air Spring Pedestal	Contact your local branch	
3	Spring Seat	ST10079521	ST10079521
4	U Bolt Plate	ST10079522	ST10079522
5	Trailing Arm Assy c/w Bush - M24 (Cranked)	ST10079443	
5	Trailing Arm Assy c/w Bush - M24 Straight)		ST10073528
5A	Pivot Bush M24	ST10079444	ST10079444
5B	Shim	ST10073407	ST10073407
5C	Shim	Obsolete	Obsolete
6	Pivot Bolt M24	ST10079446	ST10079446
7	U Bolt M24	ST10079447	ST10079447
8	Shock Absorber	ST10079448	ST10079448
9	Shock Absorber Bolt - Bottom M16	ST10077486	ST10077486
10	Shock Absorber Bolt - Top M16	ST10077486	ST10077486
11	Airspring	ST10071053	ST10071053
12	Bolt M12 x 55mm	ST10079449	ST10079449
13	Spring Washer M12	ST10079450	ST10079450
14	U Bolt Nut M24	ST10071052	ST10071052
15	U Bolt Washer M24	ST10071054	ST10071054
16	Pivot Nut M24	ST10071172	ST10071172
17	Pivot Washer M24	ST10071234	ST10071234
18	Shock Absorber Nut M16	ST10077487	ST10077487
19	Shock Absorber Washer M16	ST10077488	ST10077488
20	Nut M12	ST10072673	ST10072673
21	Washer M12	Obsolete	Obsolete
22	Nut M22	ST10079452	ST10079452
23	Washer M22	Obsolete	Obsolete
24	Tracking Bush Eccentric M24	ST10076563	ST10076563
25	Tracking Bush Concentric M24	ST10076562	ST10076562
26	Wear Plate Tracked M24	ST10073192	ST10073192

Notes:

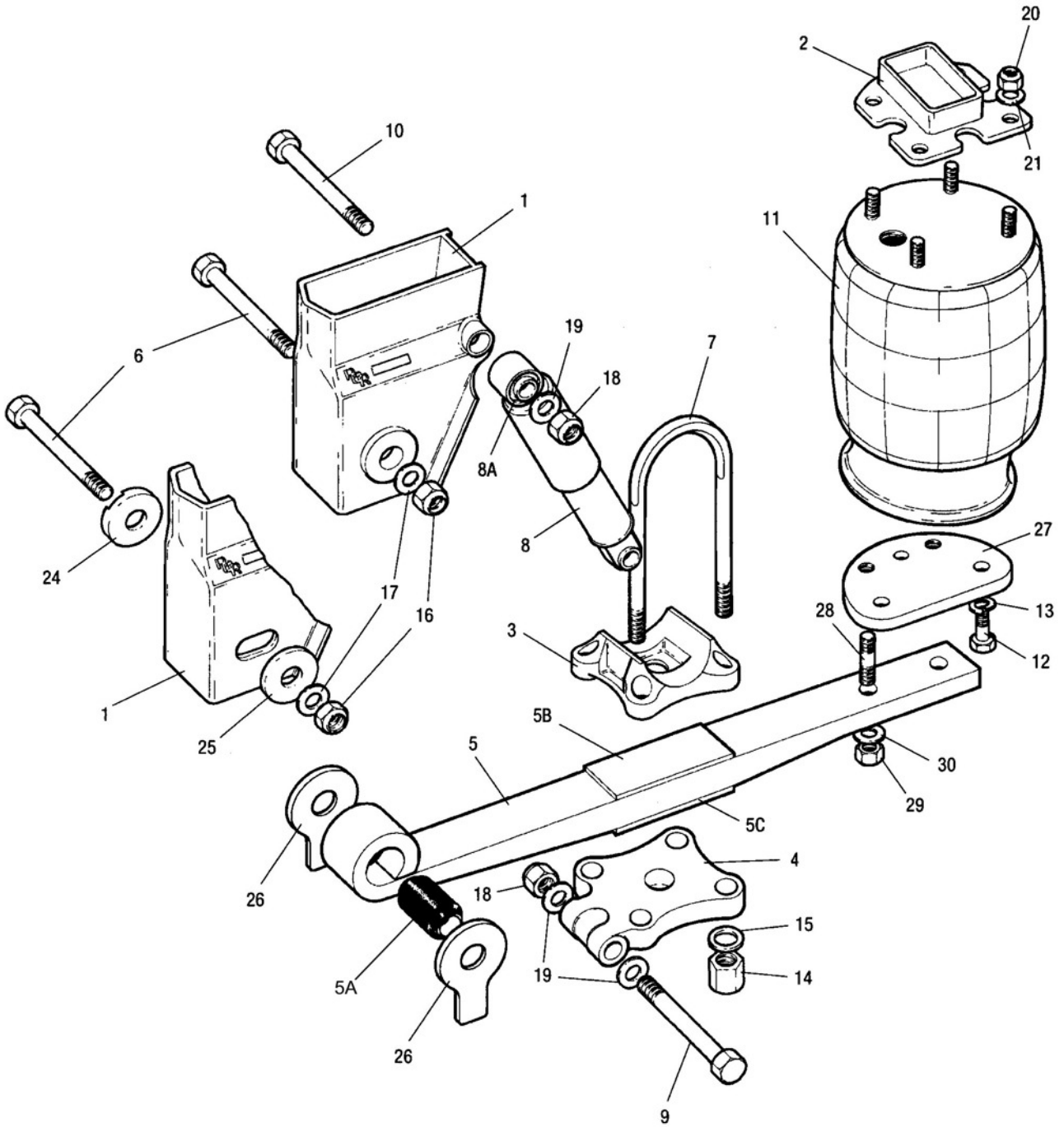
AXLE & SUSPENSION

# Meritor Components

Meritor Suspension FL9000HLL

Notes:

AXLE & SUSPENSION



# Meritor Components

Meritor Suspension FL9000HLL		
Item	Description	Part No.
1	Frame Mounting Bracket	Contact your local branch
2	Air Spring Pedestal	Contact your local branch
3	Spring Seat	ST10079523
4	U Bolt Plate L/H	ST10079524
4	U Bolt Plate R/H	ST10079525
5	Trailing Arm Assy c/w Bush - M24	ST10073708
5A	Pivot Bush	ST10071164
5B	Shim	ST10076675
5C	Shim	ST10076676
6	Pivot Bolt M24 x 195mm	ST10072128
7	U Bolt M24 x 280mm	ST10071055
8	Shock Absorber	ST10077032
8A	Shock Absorber Bush	ST10079526
9	Shock Absorber Bolt - Bottom M24 x 195mm	ST10072128
10	Shock Absorber Bolt - Top M24 x 250mm	ST10071426
11	Airspring	ST10079527
12	Bolt M12 x 35mm	ST10079449
13	Spring Washer M12	ST10079450
14	U Bolt Nut M24	ST10071052
15	U Bolt Washer M24	ST10071054
16	Pivot Nut M24	ST10071172
17	Pivot Washer M24	ST10071234
18	Shock Absorber Nut M24	ST10071172
19	Shock Absorber Washer M24	ST10071234
20	Nut M12	ST10072673
21	Washer M12	Obsolete
24	Tracking Bush Eccentric M24	ST10076563
25	Tracking Bush Concentric M24	ST10076562
26	Wear Plate Tracked M24	ST10073192
27	Offset Support Plate	Obsolete
28	Stud M16	ST10079529
29	Nut M16	ST10072660
30	Washer M16	Obsolete

Notes:

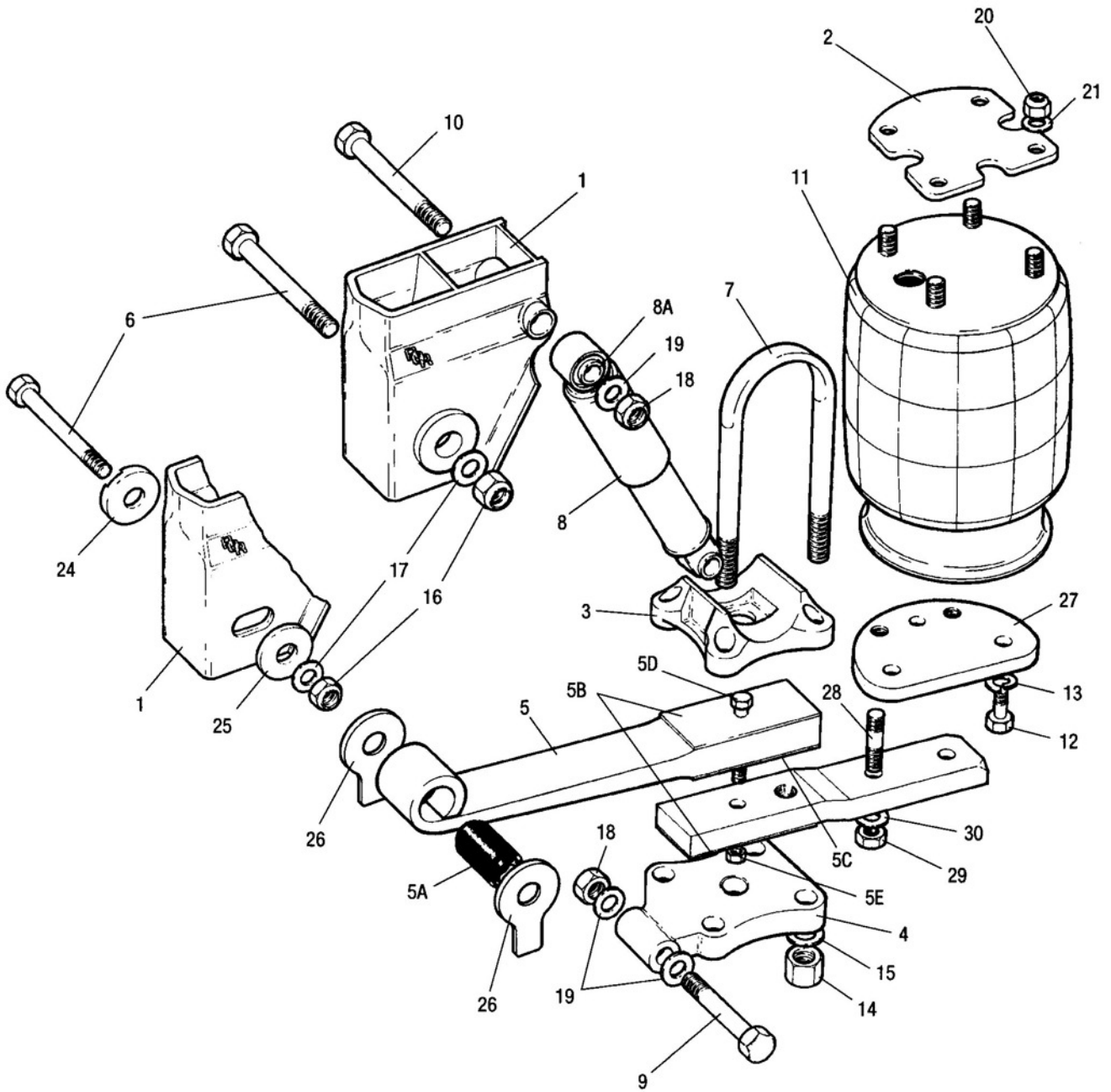
AXLE & SUSPENSION

# Meritor Components

Meritor Suspension FL9000M

Notes:

AXLE & SUSPENSION



# Meritor Components

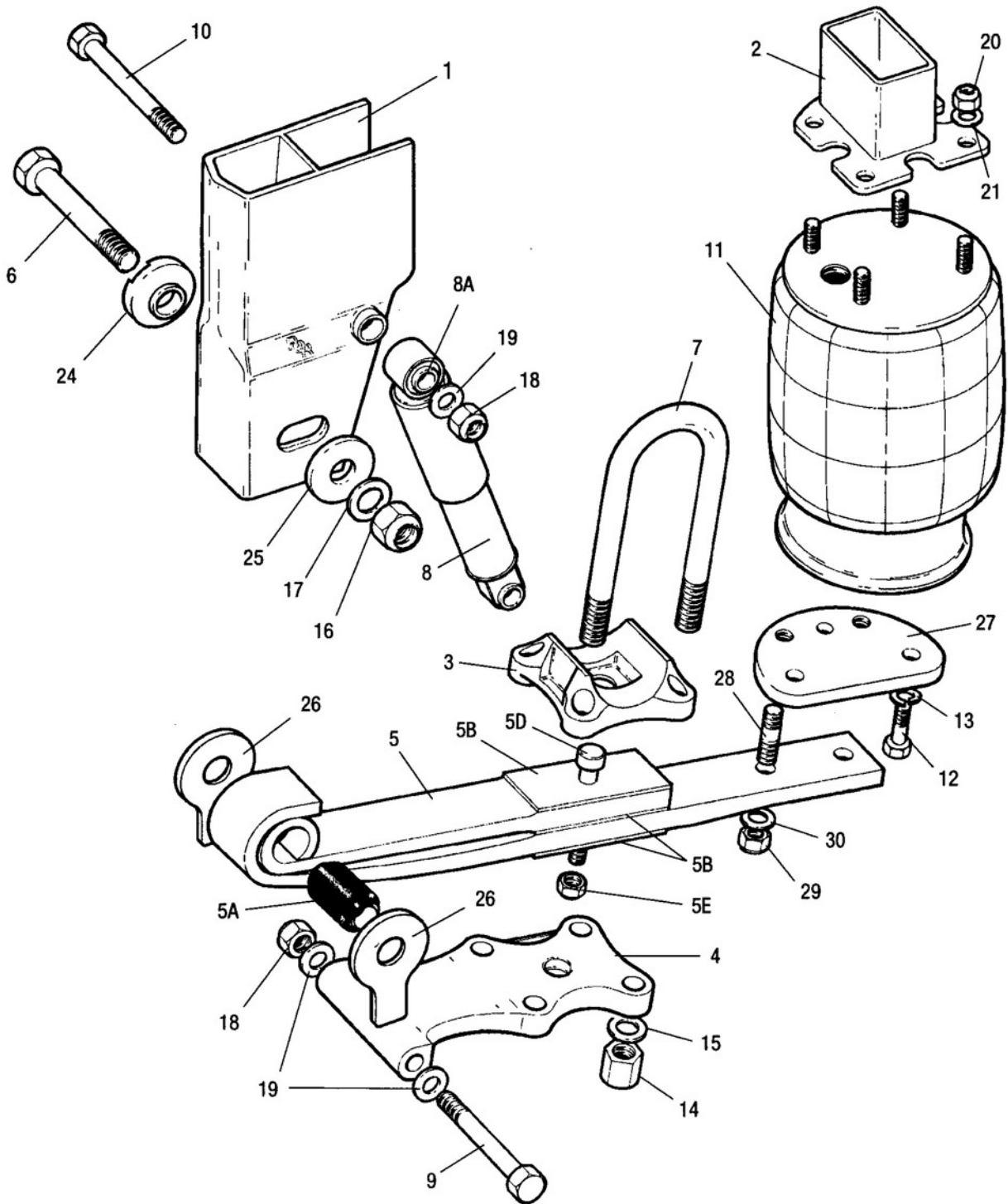
Meritor Suspension FL9000M		
Item	Description	Part No.
1	Frame Mounting Bracket	Contact your local branch
2	Air Spring Pedestal	Contact your local branch
3	Spring Seat	ST10079517
4	U Bolt Plate (After June 1997)	Obsolete
5	Trailing Arm Assy c/w Bush - M30 (After June 1997)	Obsolete
5	Trailing Arm Assy c/w Bush - M24 (After Dec 2000)	Obsolete
5A	Pivot Bush M30	ST10071163
5A	Pivot Bush M24 (After Dec 2000)	ST10071164
5B	Shim	Obsolete
5C	Shim	ST10079535
5D	Bolt M16 x 126mm	ST10079536
5E	Nut M16	ST10072660
6	Pivot Bolt M30 x 200mm	ST10071162
6	Pivot Bolt M24 x 195mm (After Dec 2000)	ST10072128
7	U Bolt M24 x 315mm (After June 1997)	ST10072529
8	Shock Absorber	ST10077032
8A	Shock Absorber Bush	ST10079526
9	Shock Absorber Bolt - Bottom M24 x 195mm	ST10072128
10	Shock Absorber Bolt - Top M24 x 250mm	ST10071426
11	Airspring	ST10079527
12	Bolt M12 x 55mm	ST10079449
13	Spring Washer M12	ST10079450
14	U Bolt Nut M24	ST10071052
15	U Bolt Washer M24	ST10071054
16	Pivot Nut M30	ST10071171
16	Pivot Nut M24 (After Dec 2000)	ST10071172
17	Pivot Washer M30	ST10071170
17	Pivot Washer M24 (After Dec 2000)	ST10071234
18	Shock Absorber Nut M24	ST10071172
19	Shock Absorber Washer M24	ST10071234
20	Nut M12	ST10072673
21	Washer M12	Obsolete
24	Tracking Bush Eccentric M30	ST10072535
24	Tracking Bush Eccentric M24 (After Dec 2000)	ST10076563
25	Tracking Bush Concentric M30	ST10072528
25	Tracking Bush Concentric M24 (After Dec 2000)	ST10076562
26	Wear Plate Tracked M30	ST10072527
26	Wear Plate Untracked M30	Obsolete
26	Wear Plate Tracked M24 (After Dec 2000)	ST10073192
27	Support Plate	Obsolete
27	Support Plate (30mm Offset)	Obsolete
27	Support Plate (45mm Offset)	Obsolete
27	Support Plate (75mm Offset)	ST10079539
27	Support Plate (95mm Offset)	ST10079540
28	Stud M16	ST10079529
29	Nut M16	ST10072660
30	Washer M16	Obsolete

Notes:

# Meritor Components

## Meritor Suspension FP11000

Notes:



AXLE & SUSPENSION

# Meritor Components

Meritor Suspension FP11000		
Item	Description	Part No.
1	Frame Mounting Bracket	Contact your local branch
2	Air Spring Pedestal	Contact your local branch
3	Spring Seat	ST10079517
4	U Bolt Plate	ST10079541
5	Trailing Arm Assy c/w Bush - M30	ST10072519
5A	Pivot Bush M30	ST10071163
5B	Shim	ST10079535
5C	Shim	ST10079535
5D	Bolt M16 x 121mm	ST10079542
5E	Nut M16	ST10072660
6	Pivot Bolt M30 x 200mm	ST10071162
7	U Bolt M24 x 315mm	ST10072529
8	Shock Absorber	ST10074077
9	Shock Absorber Bolt - Bottom M24 x 300mm	ST10074393
10	Shock Absorber Bolt - Top M24 x 300mm	ST10074393
11	Airspring	ST10071295
12	Bolt M12 x 35mm	Obsolete
13	Spring Washer M12	ST10079450
14	U Bolt Nut M24	ST10071052
15	U Bolt Washer M24	ST10071054
16	Pivot Nut M30	ST10071171
17	Pivot Washer M30	ST10071170
18	Shock Absorber Nut M24	ST10071172
19	Shock Absorber Washer M24	ST10071234
20	Nut M12	ST10072673
21	Washer M12	Obsolete
24	Tracking Bush Eccentric M30	Obsolete
25	Tracking Bush Concentric M30	Obsolete
26	Wear Plate Tracked M30	ST10079546
27	Support Plate	Obsolete
27	Support Plate (30mm Offset)	Obsolete
27	Support Plate (45mm Offset)	Obsolete
27	Support Plate (75mm Offset)	ST10079539
27	Support Plate (95mm Offset)	ST10079540
28	Stud M16	ST10079529
29	Nut M16	ST10072660
30	Washer M16	Obsolete

Notes:

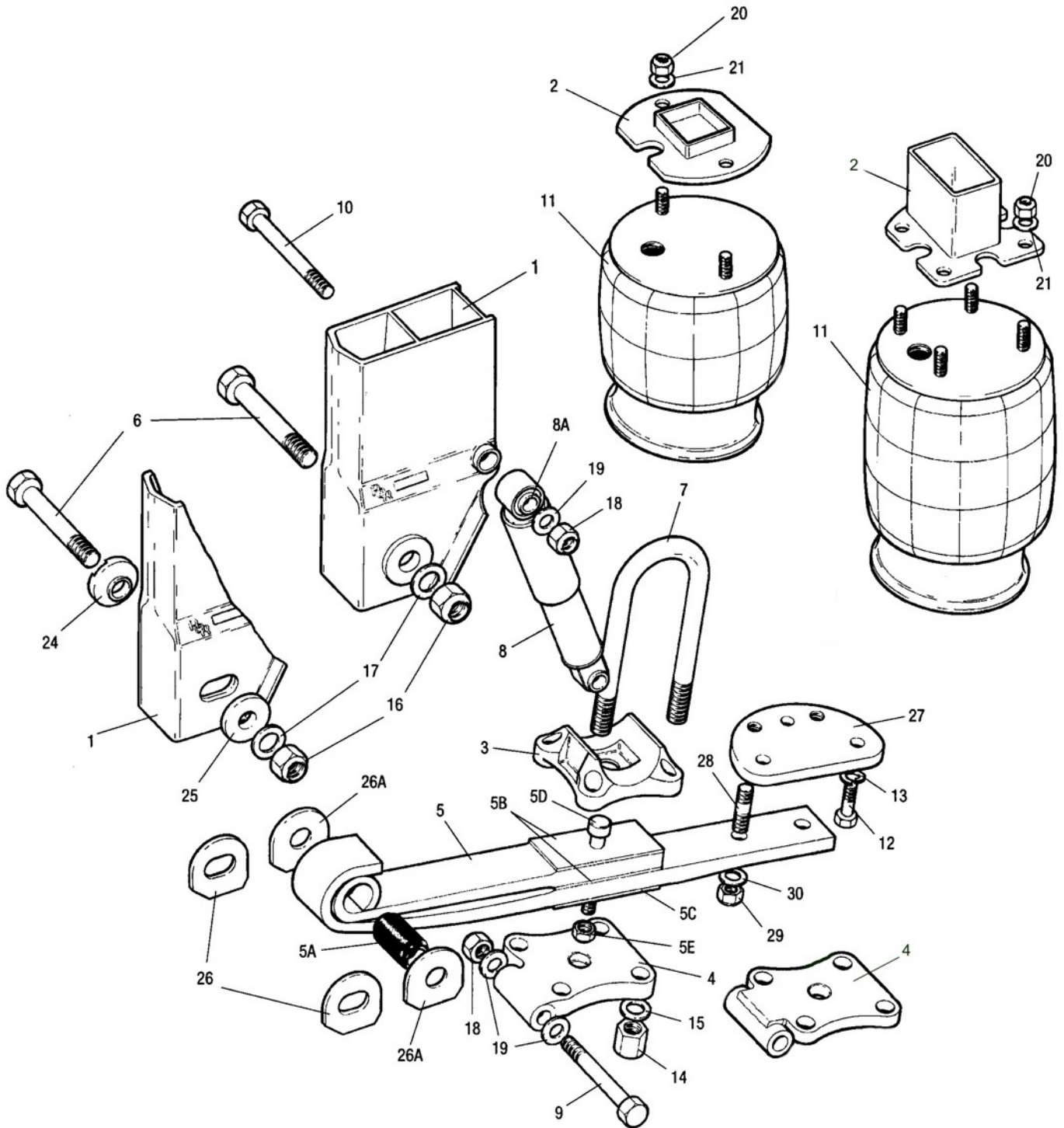
AXLE & SUSPENSION

# Meritor Components

Meritor Suspension FL11000, FL11000L

Notes:

AXLE & SUSPENSION





# Meritor Components

Meritor Suspension FL11000, FL11000L			
Item	Description	Part No.	Part No.
		FL11000	FL11000L
1	Frame Mounting Bracket	Contact your local branch	
2	Air Spring Pedestal	Contact your local branch	
3	Spring Seat	ST10079517	ST10079517
4	U Bolt Plate L/H	ST10079525	ST10079525
4	U Bolt Plate R/H	ST10079524	ST10079524
5	Trailing Arm Assy c/w Bush - M30	ST10072519	ST10072519
5A	Pivot Bush M30	ST10071163	ST10071163
5B	Shim	ST10079535	ST10079535
5C	Shim	Obsolete	Obsolete
5D	Bolt M16 x 121mm	ST10079542	ST10079542
5E	Nut M16	ST10072660	ST10072660
6	Pivot Bolt M30 x 200mm	ST10071162	ST10071162
7	U Bolt M24 x 315mm	Obsolete	Obsolete
8	Shock Absorber	ST10077032	ST10071203
8	Shock Absorber (After April 1993)	ST10071203	
8A	Shock Absorber Bush	ST10079526	ST10079526
9	Shock Absorber Bolt - Bottom M24 x 195mm	ST10072128	ST10072128
10	Shock Absorber Bolt - Top M24 x 250mm	ST10077047	ST10077047
11	Airspring	ST10071295	ST10071294
12	Bolt M12 x 35mm	Obsolete	Obsolete
13	Spring Washer M12	ST10079450	ST10079450
14	U Bolt Nut M24	ST10071052	ST10071052
15	U Bolt Washer M24	ST10071054	ST10071054
16	Pivot Nut M30	ST10071171	ST10071171
17	Pivot Washer M30	ST10071170	ST10071170
18	Shock Absorber Nut M24	ST10071172	ST10071172
19	Shock Absorber Washer M24	ST10071234	ST10071234
20	Nut M12	ST10072673	ST10072673
21	Washer M12	Obsolete	Obsolete
24	Tracking Bush Eccentric M30	ST10072535	ST10072535
25	Tracking Bush Concentric M30	ST10072528	ST10072528
26	Wear Plate Tracked M30	ST10072527	ST10072527
26A	Wear Plate Untracked M30	Obsolete	Obsolete
27	Support Plate	Obsolete	Obsolete
27	Support Plate (30mm Offset)	Obsolete	Obsolete
27	Support Plate (45mm Offset)	Obsolete	Obsolete
27	Support Plate (75mm Offset)	ST10079539	ST10079539
27	Support Plate (95mm Offset)	ST10079540	ST10079540
28	Stud M16	ST10079529	ST10079529
29	Nut M16	ST10072660	ST10072660
30	Washer M16	Obsolete	Obsolete

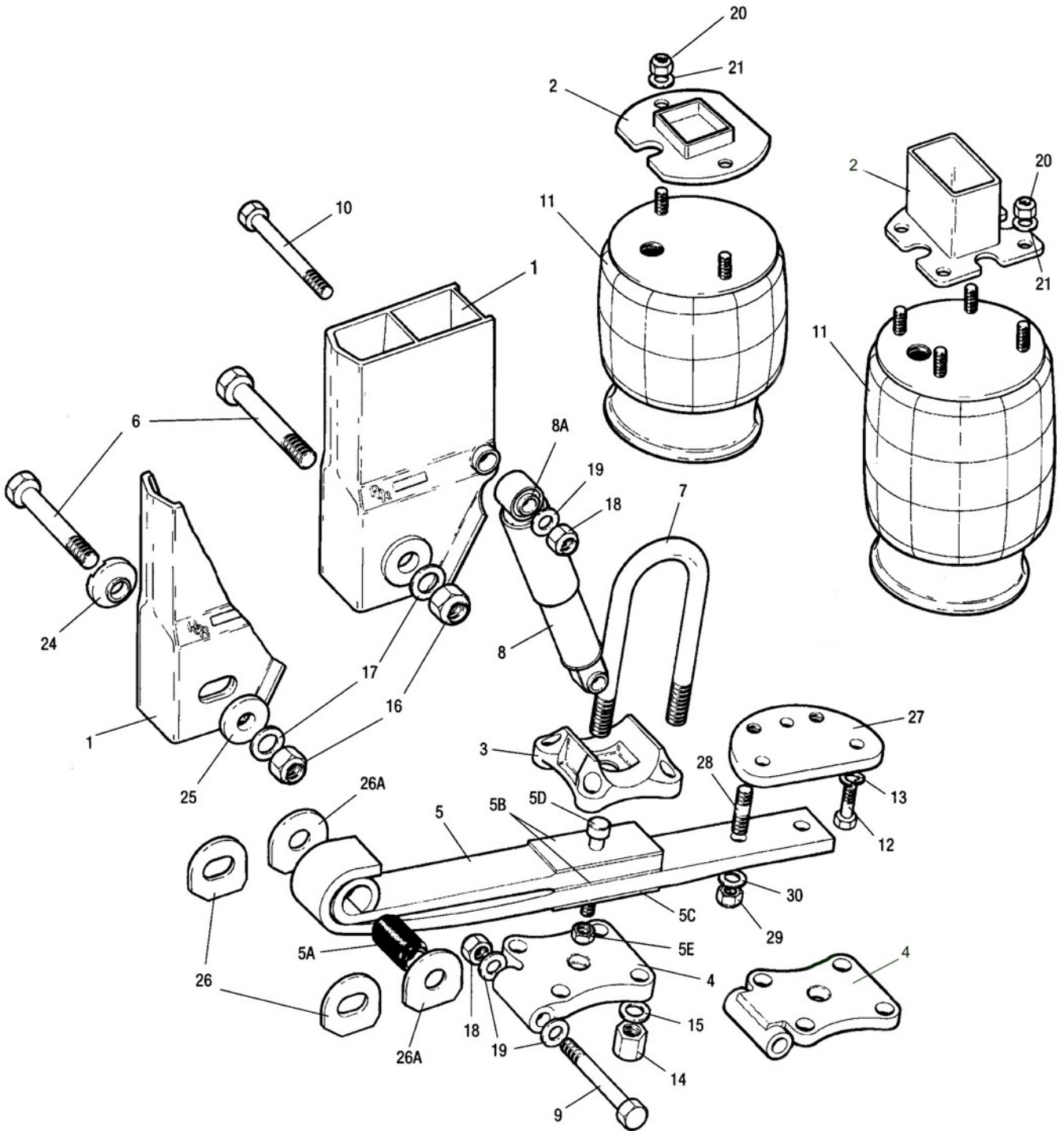
Notes:

# Meritor Components

Meritor Suspension FL11000/150, FL11000D

Notes:

AXLE & SUSPENSION



# Meritor Components

Meritor Suspension FL11000/150, FL11000D			
Item	Description	Part No.	Part No.
		FL11000/150	FL11000D
1	Frame Mounting Bracket	Contact your local branch	
2	Air Spring Pedestal	Contact your local branch	
3	Spring Seat	ST10079517	ST10079517
4	U Bolt Plate	Obsolete	
4	U Bolt Plate L/H		ST10079525
4	U Bolt Plate R/H		ST10079524
5	Trailing Arm Assy c/w Bush - M30	ST10072519	ST10072519
5A	Pivot Bush M30	ST10071163	ST10071163
5B	Shim	ST10079535	ST10079535
5C	Shim	Obsolete	
5D	Bolt M16 x 121mm	ST10079542	ST10079542
5E	Nut M16	ST10072660	ST10072660
6	Pivot Bolt M30 x 200mm	ST10071162	ST10071162
7	U Bolt M24 x 315mm	ST10072529	ST10072529
8	Shock Absorber	ST10071203	ST10077032
8A	Shock Absorber Bush	ST10074676	ST10079526
9	Shock Absorber Bolt - Bottom M24 x 195mm		ST10072128
9	Shock Absorber Bolt - Bottom M24 x 250mm	ST10077047	
10	Shock Absorber Bolt - Top M24 x 250mm	ST10077047	ST10077047
11	Airspring	ST10076644	ST10079527
12	Bolt M12 x 25mm		
12	Bolt M12 x 35mm		Obsolete
13	Spring Washer M12	ST10079450	ST10079450
14	U Bolt Nut M24	ST10071052	ST10071052
15	U Bolt Washer M24	ST10071054	ST10071054
16	Pivot Nut M30	ST10071171	ST10071171
17	Pivot Washer M30	ST10071170	ST10071170
18	Shock Absorber Nut M24	ST10071172	ST10071172
19	Shock Absorber Washer M24	ST10071234	ST10071234
20	Nut M12		ST10072673
20	Nut 1/2" UNC	Obsolete	
21	Washer M12		Obsolete
21	Washer 1/2" UNC	Obsolete	
24	Tracking Bush Eccentric M30	ST10072535	ST10072535
25	Tracking Bush Concentric M30	ST10072528	ST10072528
26	Wear Plate Tracked M30	ST10072527	ST10072527
26A	Wear Plate Untracked M30	Obsolete	
27	Support Plate	Obsolete	
27	Support Plate (30mm Offset)	Obsolete	
27	Support Plate (45mm Offset)	Obsolete	
27	Support Plate (75mm Offset)	ST10079539	ST10079539
27	Support Plate (95mm Offset)	ST10079540	ST10079540
28	Stud M16	ST10079529	ST10079529
29	Nut M16	ST10072660	ST10072660
30	Washer M16	Obsolete	

Notes:

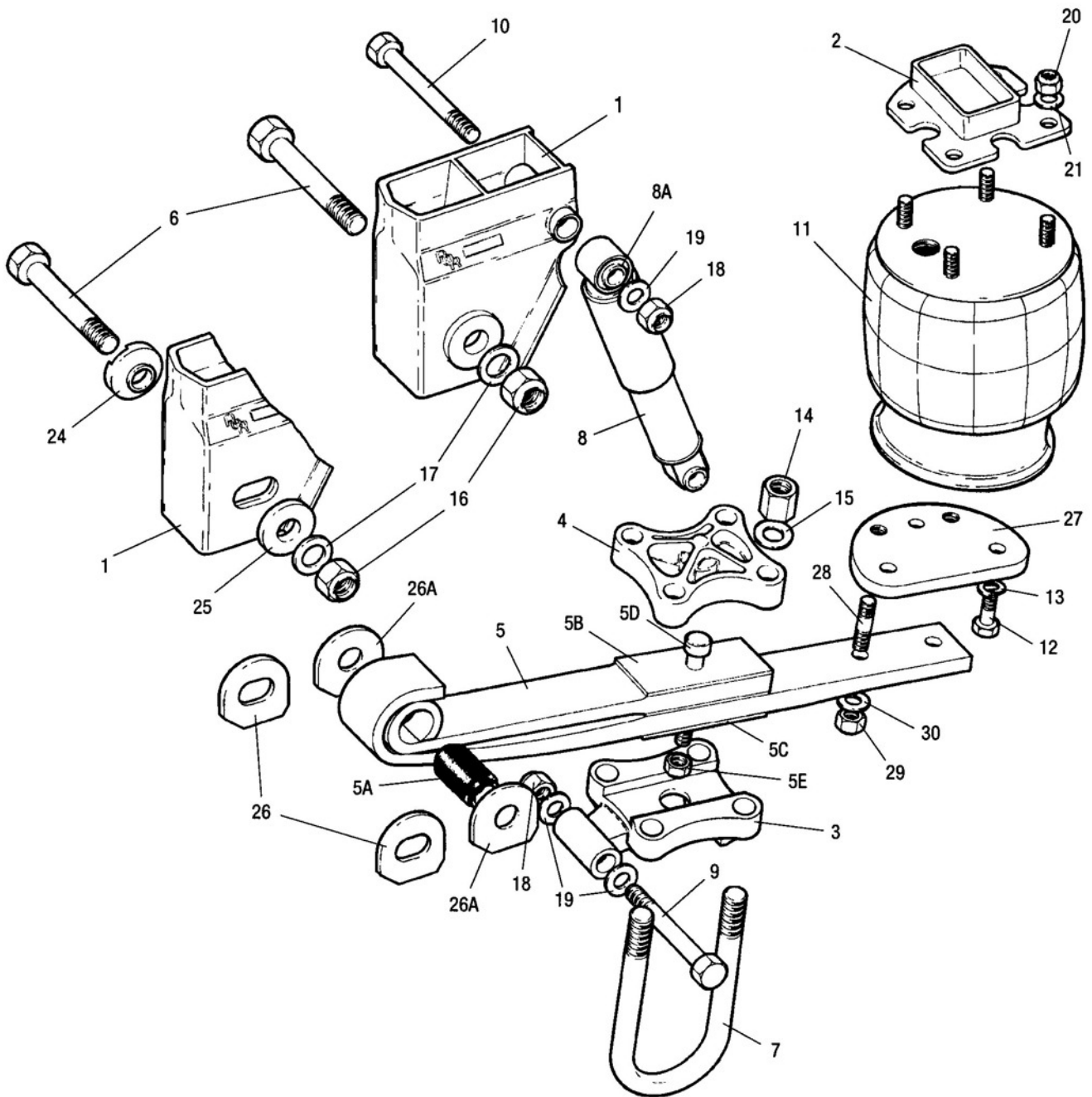
AXLE & SUSPENSION

# Meritor Components

Meritor Suspension FL11000B, FL11000LB

Notes:

AXLE & SUSPENSION



# Meritor Components

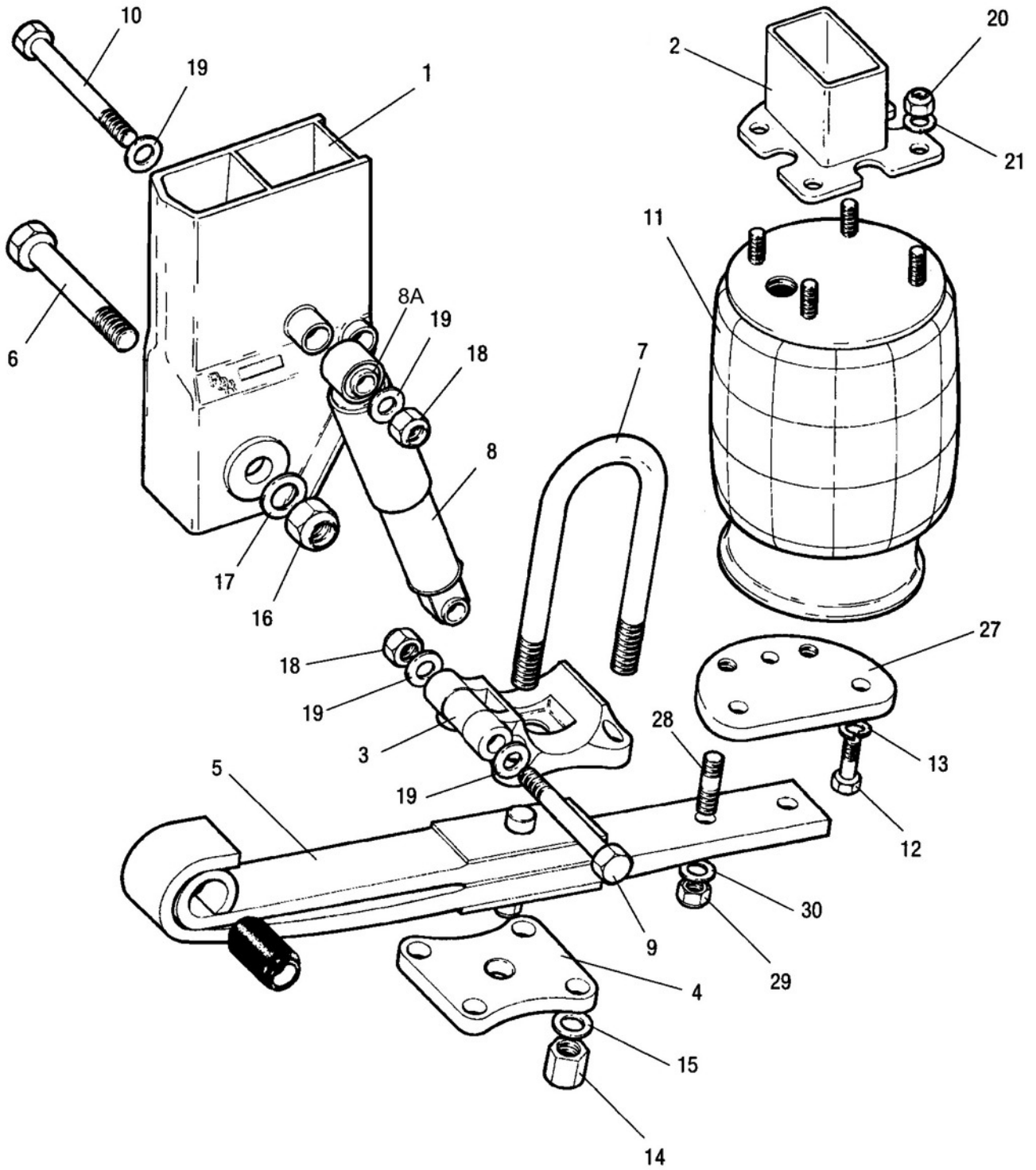
Meritor Suspension FL11000B, FL11000LB			
Item	Description	Part No.	Part No.
		FL11000B	FL11000LB
1	Frame Mounting Bracket	Contact your local branch	
2	Air Spring Pedestal	Contact your local branch	
3	Spring Seat L/H	ST10079552	ST10079552
3	Spring Seat R/H	ST10079553	ST10079553
4	U Bolt Plate	ST10079454	ST10079454
5	Trailing Arm Assy c/w Bush - M30	ST10079554	ST10079554
5A	Pivot Bush M30	ST10071163	ST10071163
5B	Shim	ST10079535	ST10079535
5C	Shim	Obsolete	Obsolete
5D	Bolt M16 x 121mm	ST10079542	ST10079542
5E	Nut M16	ST10072660	ST10072660
6	Pivot Bolt M30 x 200mm	ST10071162	ST10071162
7	U Bolt M24 x 315	ST10072529	ST10072529
8	Shock Absorber	ST10071203	ST10071203
8A	Shock Absorber Bush	ST10074676	ST10074676
9	Shock Absorber Bolt - Bottom M24 x 195mm	ST10072128	ST10072128
10	Shock Absorber Bolt - Top M24 x 250mm	ST10077047	ST10077047
11	Airspring	ST10071295	ST10071294
12	Bolt M12 x 35mm	Obsolete	Obsolete
13	Spring Washer M12	ST10079450	ST10079450
14	U Bolt Nut M24	ST10071052	ST10071052
15	U Bolt Washer M24	ST10071054	ST10071054
16	Pivot Nut M30	ST10071171	ST10071171
17	Pivot Washer M30	ST10071170	ST10071170
18	Shock Absorber Nut M24	ST10071172	ST10071172
19	Shock Absorber Washer M24	ST10071234	ST10071234
20	Nut M12	ST10072673	ST10072673
21	Washer M12	Obsolete	Obsolete
24	Tracking Bush Eccentric M30	ST10072535	ST10072535
25	Tracking Bush Concentric M30	ST10072528	ST10072528
26	Wear Plate Tracked M30	ST10072527	ST10072527
26A	Wear Plate Untracked M30	Obsolete	Obsolete
27	Support Plate	Obsolete	Obsolete
27	Support Plate (30mm Offset)	Obsolete	Obsolete
27	Support Plate (45mm Offset)	Obsolete	Obsolete
27	Support Plate (75mm Offset)	ST10079539	ST10079539
27	Support Plate (95mm Offset)	ST10079540	ST10079540
28	Stud M16	ST10079529	ST10079529
29	Nut M16	ST10072660	ST10072660
30	Washer M16	Obsolete	Obsolete

Notes:

# Meritor Components

## Meritor Suspension FL11000CT

Notes:



AXLE & SUSPENSION

# Meritor Components

Meritor Suspension FL11000CT		
Item	Description	Part No.
1	Frame Mounting Bracket	Contact your local branch
2	Air Spring Pedestal	Contact your local branch
3	Spring Seat Right	ST10071668
3	Spring Seat Left	ST10071667
4	U Bolt Plate	ST10079454
5	Trailing Arm Assy c/w Bush - M30	ST10072519
6	Pivot Bolt M30 x 200mm	ST10071162
7	U Bolt M24 x 315mm	ST10072529
8	Shock Absorber	ST10071203
8A	Shock Absorber Bush	ST10074676
9	Shock Absorber Bolt - Bottom M24 x 250mm	ST10077047
10	Shock Absorber Bolt - Top M24 x 250mm	ST10077047
11	Airspring	ST10071295
12	Bolt M12 x 35mm	Obsolete
13	Spring Washer M12	ST10079450
14	U Bolt Nut M24	ST10071052
15	U Bolt Washer M24	ST10071054
16	Pivot Nut M30	ST10071171
17	Pivot Washer M30	ST10071170
18	Shock Absorber Nut M24	ST10071172
19	Shock Absorber Washer M24	ST10071234
20	Nut M12	ST10072673
21	Washer M12	Obsolete
27	Support Plate (75mm Offset)	ST10079529
28	Stud M16	ST10079529
29	Nut M16	ST10072660
30	Washer M16	Obsolete

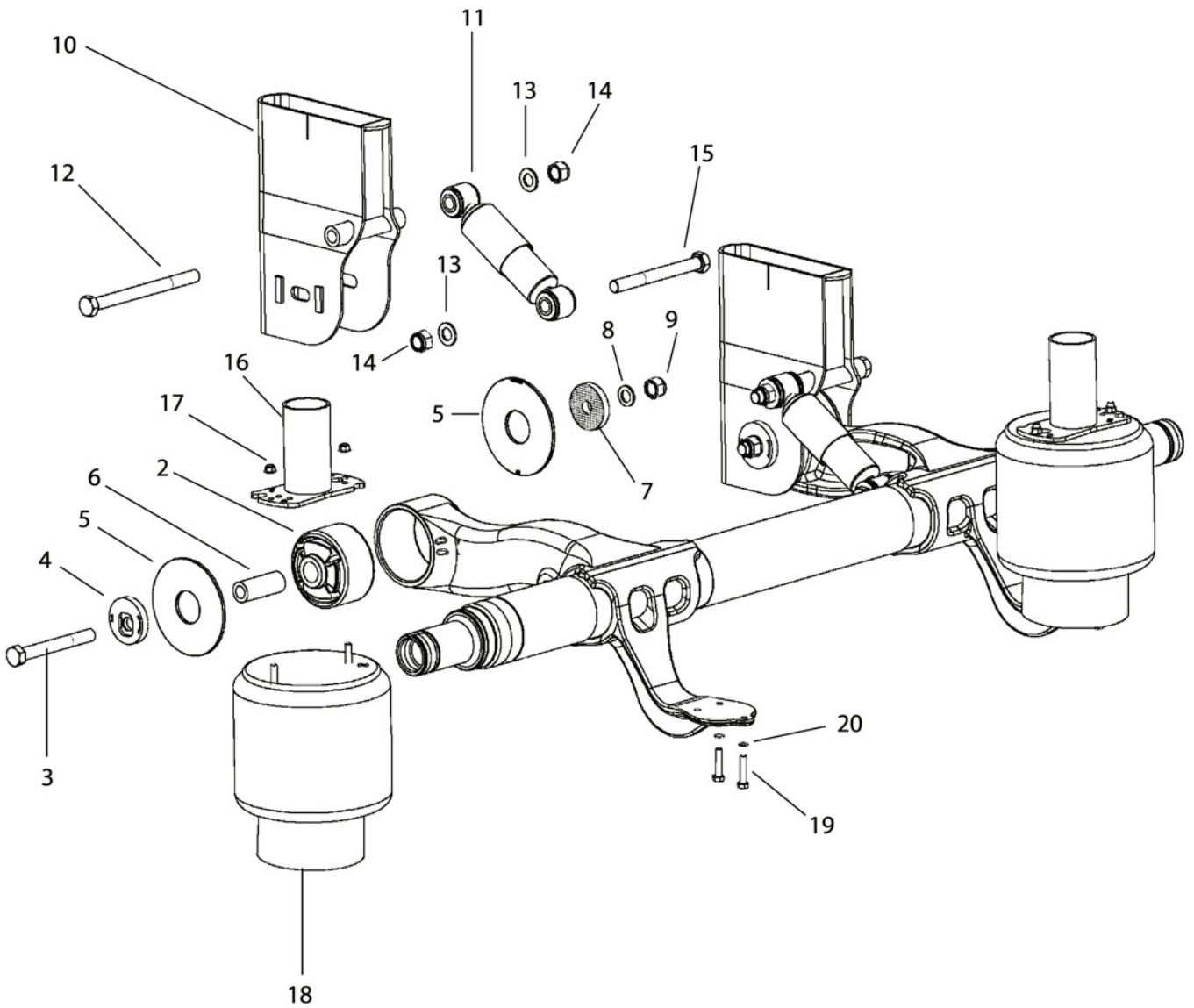
Notes:

# Meritor Components

## Meritor Suspension CS9I Low Mount

Notes:

AXLE & SUSPENSION





# Meritor Components

Meritor Suspension CS9I Low Mount		
Item	Description	Part No.
2	Pivot Bush Assembly	ST10077758
3	Bolt (M24 x 195mm)	ST10072128
4	Tracking Boss Eccentric	ST10076562
5	Wear Washer	ST10077759
6	Pivot Bush Sleeve Comes with item 2	NSS
7	Tracking Boss Concentric	ST10076563
8	Washer (Hard M24)	ST10071054
9	Nut (Self Lock M24 x 3.0mm)	ST10071172
11	Shock Absorber	ST10076741
12	Bolt (M24 x 280mm)	ST10079555
13	Washer (Hard M24)	ST10071054
14	Nut (Self Lock M24 x 3.0)	ST10071172
15	Bolt (M24 x 225mm)	ST10072516
17	Nut (Flanged Self Lock M12)	ST10079556
18	Air Spring	ST10074339
18	Air Spring	ST10079557
19	Screw (Hex M12 x 55mm)	ST10079449
20	Washer (Spring Lock M12)	ST10079450
	Bush Tool MST3420	ST10079558

Item	Height	Chassis Bracket Part No. LH	Chassis Bracket Part No. RH	Part No. Pedestal
10 & 16	200mm	ST10079559	ST10079560	Obsolete
10 & 16	225mm	ST10079562	Obsolete	ST10079564
10 & 16	250mm	ST10079565	Obsolete	Obsolete
10 & 16	275mm	Obsolete	Obsolete	Obsolete
10 & 16	300mm	Obsolete	Obsolete	Obsolete
10 & 16	325mm	ST10079574	ST10079575	Obsolete
10 & 16	350mm	ST10079577	ST10079578	Obsolete
10 & 16	375mm	ST10079580	ST10079581	Obsolete

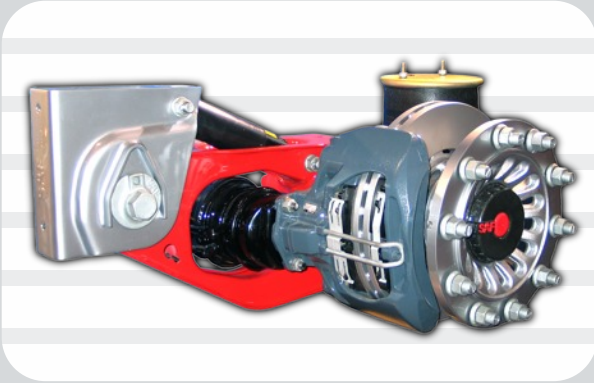
Notes:

Notes:

**AXLE & SUSPENSION**

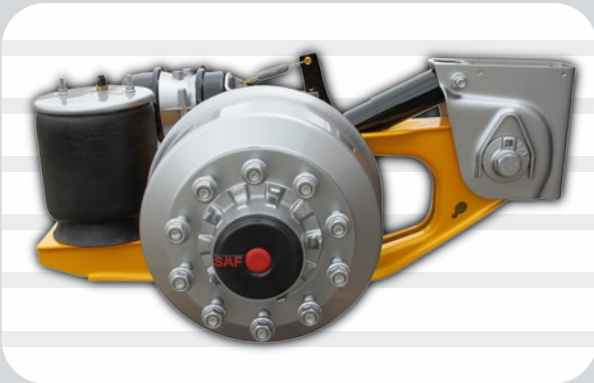
# SAF

## SAF Components



### Axles with Disc Brake

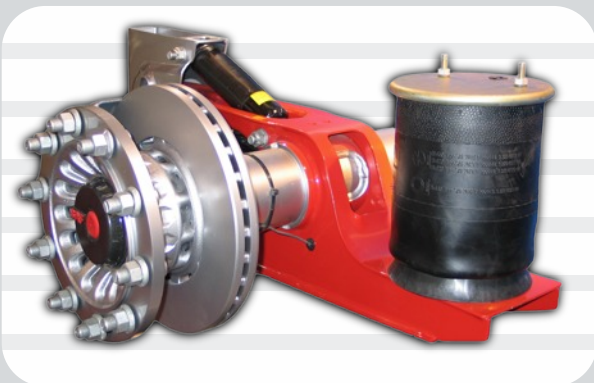
The hallmarks of SAF-HOLLAND axles with disc brakes are state-of-the-art production facilities, exceptionally cost-effective and reliable components, and strict quality control.



### Axles with Drum Brake

SAF-HOLLAND has been making drum-braked axles for semi-trailers and trailers for decades.

Sophisticated in design and easy to maintain, they have proved their worth worldwide by the hundreds of thousands.



### Air Suspensions

SAF-HOLLAND air suspension systems are perfect suspension systems with trend-setting technology, exemplary product properties and superior performance features.



# SAF Axle Plates

The information provided in this section is for the most common axles in the UK

## Early type disc brake axle plate

Axle Code	Axle Type
SK	Super Compact Bearing

Axle Model
RB
RS
RZ

Axle Code	Axle Weight
90	9 ton
11	11 ton

Axle Code	Date of Manufacture
14604	146 Days 2004
10107	101 Days 2007

Axle Code	Disc Size	Hub Type	Caliper
22H	22.5"	Standard	Haldex
19K	19.5"	Standard	Knorr SN6
19KI	19.5"	Integral	Knorr SN6
22K	22.5"	Standard	Knorr SN7
22KI	22.5"	Integral	Knorr SN7
22K01	22.5"	Standard	Knorr SK7
22K101	22.5"	Integral	Knorr SK7
19W	19.5"	Standard	Wabco
19WI	19.5"	Integral	Wabco
22W	22.5"	Standard	Wabco
22WI	22.5"	Integral	Wabco

## Later type disc brake axle plate

Axle Code	Type
S	Single wheel without offset hub
B	Single wheel with offset hub
Z	Twin wheel

Axle Code	Axle Type
(-)	Rigid Axle
NL	Self Steering Axle
VL	Steering Axle
L	Steering Axle

Axle Code	Disc Size	Caliper
19S or 19H	19.5"	Haldex
22S or 22H	22.5"	Haldex
19K	19.5"	Knorr SN6
22K	22.5"	Knorr SN7
22K01	22.5"	Knorr SK7
19W	19.5"	Wabco
22W	22.5"	Wabco

Axle Code	Hub Type
(-)	Conventional
I	Integral

Axle Code	Axle Weight
90	9 ton
11	11 ton

Axle Code	Days & Year
07904	79 Days 2004
13506	135 Days 2006

AXLE & SUSPENSION

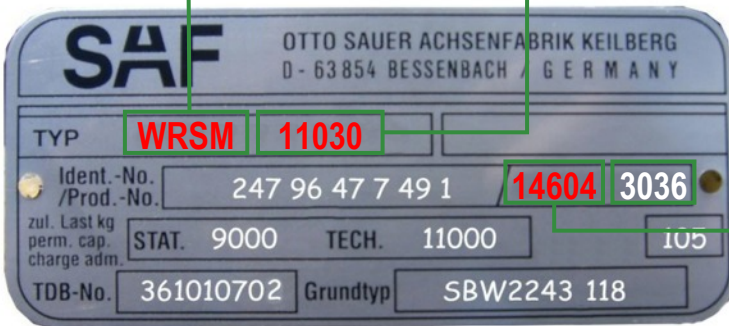
# SAF Axle Plates

The information provided in this section is for the most common axles in the UK

## Early type drum brake axle plate

Axle Code	Axle Weight
R	Round Hollow Axle Beam
S	Single Wheel
Z	Twin Wheel
M	Spigot Mounted
W	Heat Shield Fitted to Brake
I	Self Steer Axle
SK	Super Compact Bearing

Axle Code	Axle Weight	Brake Size
8130	8 Tonne	300mm
8135	8 Tonne	355mm
8442	8 Tonne	420mm
9037	9 Tonne	367mm
9042	9 Tonne	420mm x 180mm
9042/20	9 Tonne	420mm x 200mm
11030	11 Tonne	300mm
11035	9 Tonne	355mm
11037	11 Tonne	367mm
11242	11 Tonne	420mm



Axle Code	Date of Manufacture
14604	146 Days 2004
10107	101 Days 2007

## Later type drum brake axle plate

Axle Code	Axle Type
(-)	Rigid Axle
ZL	Steering Axle
L	Steering Axle

Axle Code	Axle Weight
90	9 ton
11	11 ton

Axle Code	Date of Manufacture
14604	146 Days 2004
10107	101 Days 2007

Axle Code	Brake Size
3015	300mm x 150mm
3018	300mm x 180mm
3020	300mm x 200mm
3715	367mm x 150mm
3718	367mm x 180mm
3720	367mm x 200mm
4215	420mm x 150mm
4218	420mm x 180mm
4220	420mm x 200mm



Axle Code	Type
S	Single wheel without offset hub
B	Single wheel with offset hub
Z	Twin wheel

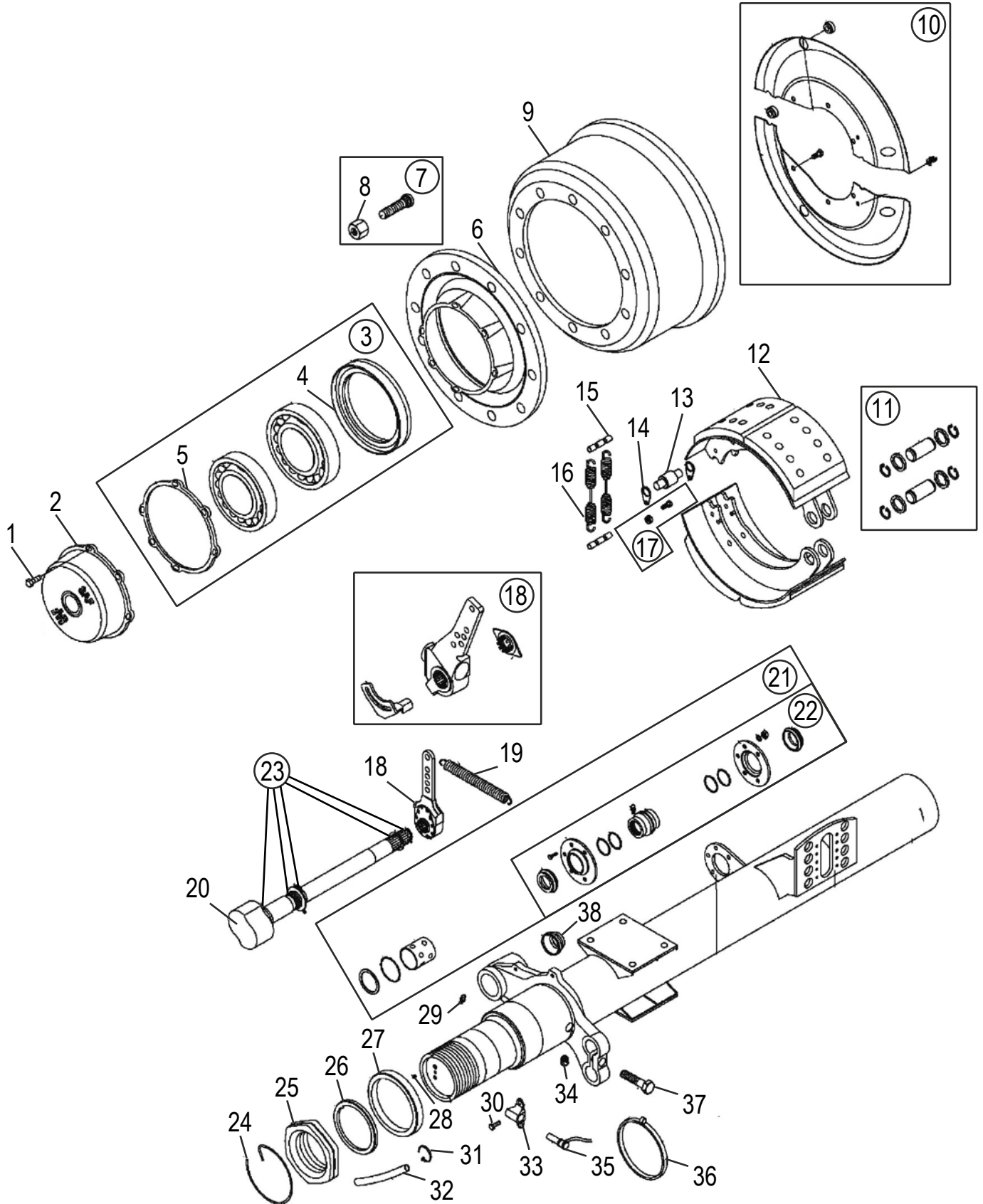
# SAF Components

## SAF RSM Type Axle Assembly

Model	Axle Codes	Date of Manufacture
RSM	RSM9042 (420 x 180mm), RSM9042/20 (420 x 200mm)	01/03/94 on

Notes: The difference between these two axles is the drum / brake Dia (180mm & 200mm) See both columns on right

AXLE & SUSPENSION



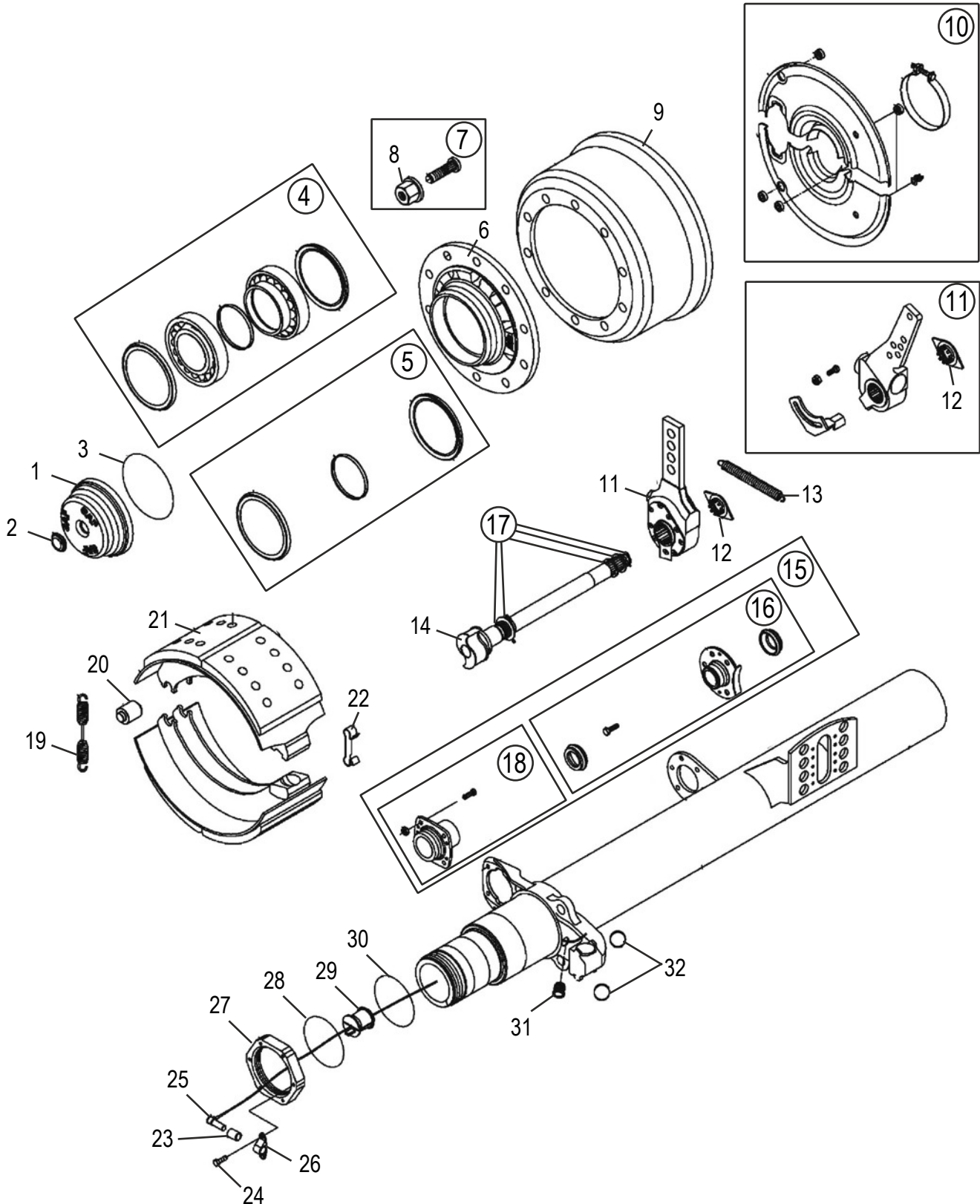
# SAF Components

SAF RSM Type Axle Assembly			
Item	Description	RSM9042 BC98 420 x 180mm	RSM9042/20 BC97 420 x 200mm
1	Hub cap bolt c/w nut	SC1874311	SC1874311
2	Hub cap None ABS	SC1873341	SC1873341
2	Hub cap ABS 100 tooth (assembly)	SC1873878	SC1873878
3	Hub Bearing Repair Kit	SC1872778	SC1872778
4	• Grease seal	SC1723427	SC1723427
5	• Hub cap gasket	SC1723463	SC1723463
6	Hub	SC1723495	SC1723495
7	Wheel stud assembly	SC1941683	SC1941683
8	• Wheel Nut M22 x 1.5 x 83mm	SC1941701	SC1941701
9	Brake drum	SC1723189	SC1873151
10	Dustcover assembly	SC1748107	SC1723237
11	Anchor pin assembly	SC1723134	SC1723134
12	Lined Brake Shoe Complete	See Page 1.175	
13	Cam roller	SC1723492	SC1723492
14	Lock washer	SC1723468	SC1723468
15	Cross strap	SC1873421	SC1873421
16	Return spring	SC1941675	SC1941675
17	Bolt & nut assembly	SC1873906	SC1873906
18	Slack adjusters	See Page 1.128	
19	Return Spring	SC2064275	SC2064275
20	Camshafts	See Page 1.128	
21	Camshaft Kit comes with item 23	SC2147959	SC2147959
22	• Camshaft Bearing Assembly	SC1723406	SC1723406
23	• Camshaft Accessories	SC1723410	SC1723410
24	Snap ring	SC1873349	SC1873349
25	Axle end nut	SC1723120	SC1723120
26	Lock washer	SC1939048	SC1939048
27	Ring	SC1877752	SC1877752
28	Protection Cap	SC1874218	SC1874218
29	Grease Nipple	SC1874117	SC1874117
30	Screw	SC1877036	SC1877036
31	Collar	SC1874097	SC1874097
32	Protective Hose	SC1876853	SC1876853
33	Sensor Holder	SC1877736	SC1877736
34	Protection Cap	SC1874221	SC1874221
35	Sensor with Bush	SC1872656	SC1872656
36	Clamping Ring	SC1873266	SC1873266
37	Lock bolt	SC1782995	SC1782995
38	Rubber Pad	SC1873250	SC1873250
Notes:			

# SAF Components

SAF SKRS Type Axle Assembly		
Model	Axle Codes	Date of Manufacture
SKRS	SKRS9042 INTRAXX & SK1000 (420 x 180mm) SKRS9042/20, SKRS11242 (420 x 200mm)	15/02/98 On
Notes:		

AXLE & SUSPENSION





# SAF Components

SAF SKRS Type Axle Assembly			
Item	Description	SKRS9042 INTRAXX / SK1000 SJ28/29 420 x 180mm	SKRS9042/20 SKRS11242 SJ30/31 420 x 200mm
1	Hub Cap ABS c/w O Ring & Bung	SC1723351	SC1723351
1	Hub Cap c/w O Ring & Bung	SC1723350	SC1723350
2	• Bung	SC1723528	SC1723528
3	O Ring 182 x 4mm	SC1723377	SC1723377
4	Bearing Kit	SC1723477	SC1723477
5	• Repair Kit	SC1723423	SC1723423
6	Hub Assembly c/w Bearing Kit	SC1723358	SC1723358
7	Wheel Bolt Assembly M22 x 1.5mm x 83mm	SC1941683	SC1941683
8	• Wheel Bolt Nut	SC1941702	SC1941702
9	Brake Drum	SC1723190	SC1723191
10	Dust Cover Assembly	SC1723242	SC1723242
11	Slack Adjusters	See Page 1.128	
12	• Wearing Gauge	SC1874074	SC1874074
13	Return Spring	SC2064275	SC2064275
14	Camshafts	See Page 1.128	
15	Camshaft Repair kit comes with item 17	SC1723509	SC1723509
16	• Camshaft Bearing Assembly	SC1723408	SC1723408
17	• Camshaft Washer Kit	SC1723412	SC1723412
18	• Camshaft Bearing Assembly	SC1723409	SC1723409
19	Brake Return Spring	SC1783489	SC1783489
20	Cam Roller	SC1723493	SC1723493
21	Lined Brake Shoe	See Page 1.175	
22	Retainer Spring	SC1941663	SC1941663
23	Sensor Bush	SC1723512	SC1723512
24	Screw	SC1874279	SC1874279
25	ABS Sensor with Bush	SC1872656	SC1872656
26	Sensor Bracket	SC1748139	SC1748139
27	Axle Nut M120 x 2mm R/H	SC1723121	SC1723121
27	Axle Nut M120 x 2mm L/H	SC1723122	SC1723122
28	O Ring 116 x 3mm	SC1723376	SC1723376
29	Protection Cap	SC1874222	SC1874222
30	O Ring 110 x 2mm	SC1723378	SC1723378
31	Protection Cap	SC1874221	SC1874221
32	Ball (40mm)	SC1723517	SC1723517
	Hub Grease (Not Shown)	SC1723385	SC1723385

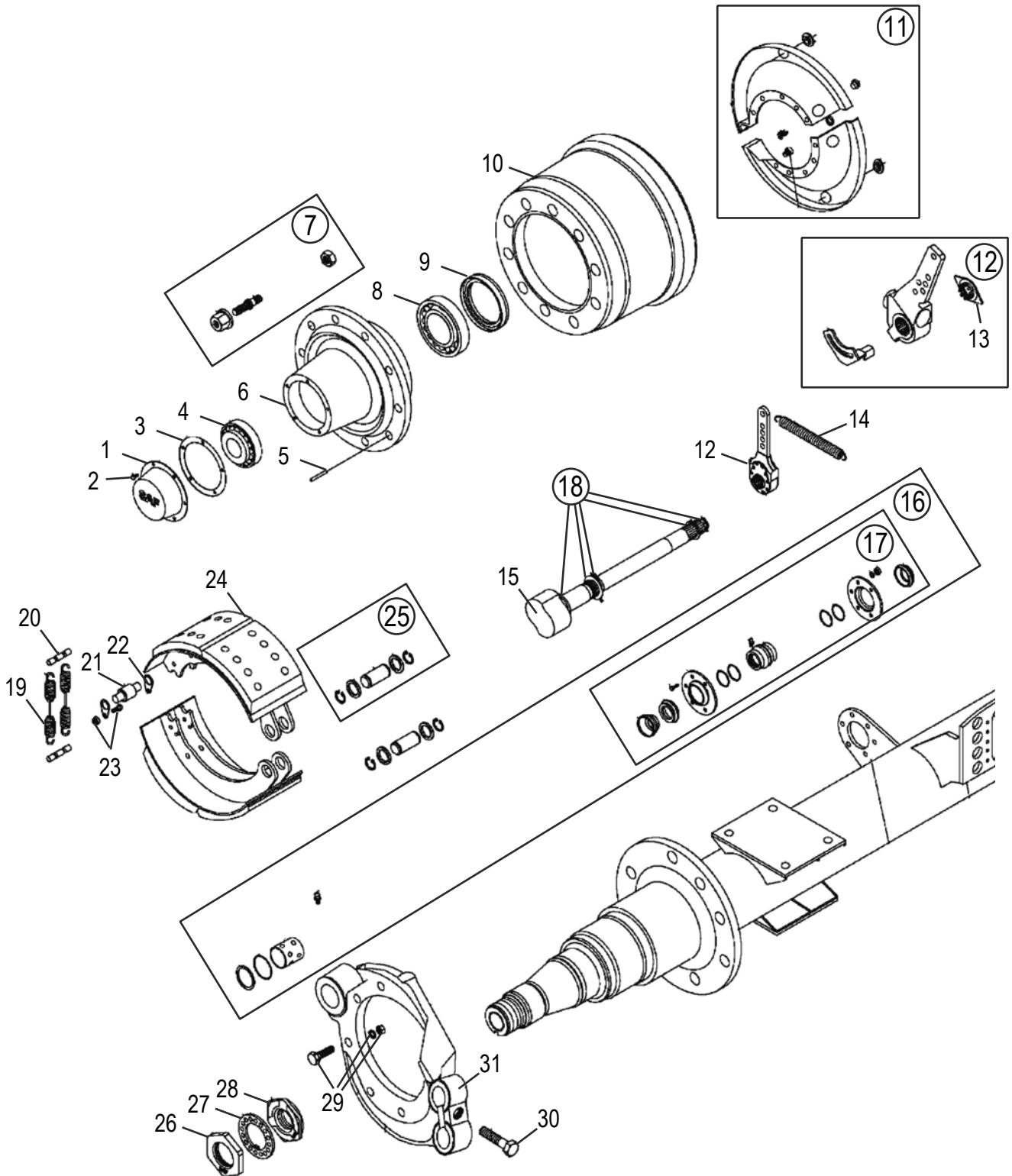
Notes:

# SAF Components

## SAF RSM Type Axle Assembly

Model	Axle Codes	Date of Manufacture
RSM	RSM8442 (420 x 180mm), RSM11242 (420 x 200mm)	01/03/94 On
Notes:		

AXLE & SUSPENSION



# SAF Components

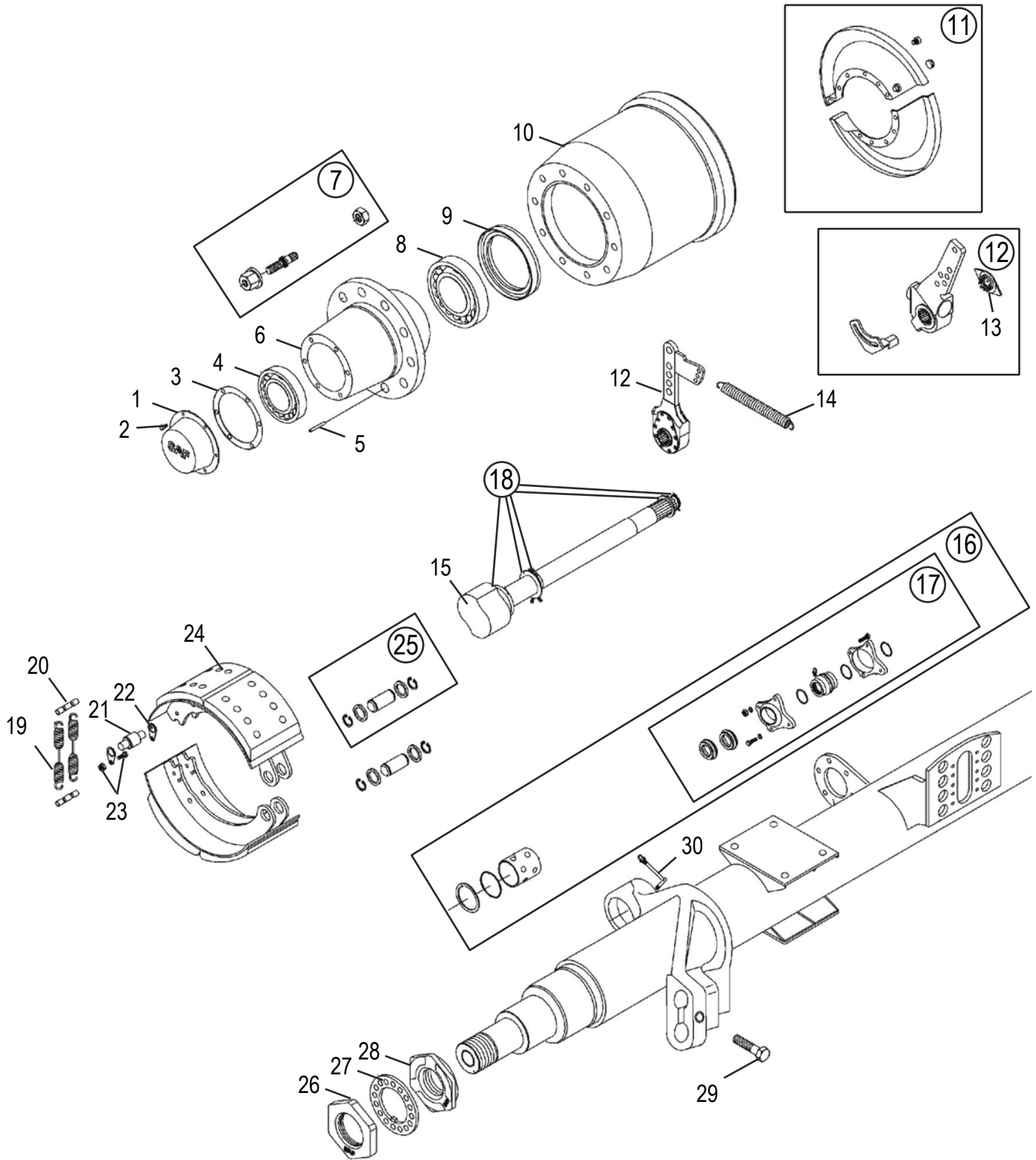
SAF RSM Type Axle Assembly			
Item	Description	RSM8442 BC36 420 x 180mm	RSM11242 BC37 420 x 200mm
1	Hub Cap	SC1723494	SC1723494
2	Bolt c/w washer for Hub Cap	SC1874311	SC1874311
3	Hub Cap Gasket	SC1723462	SC1723462
4	Bearing Outer	SC1723478	SC1723478
5	Dowel Pin for Wheel Stud	SC1873269	SC1873269
6	Hub 10 Stud	SC1723326	SC1723326
7	Wheel Stud & Nut Assembly M22 x 1.5mm ISO	SC1941679	SC1941679
8	Bearing Inner	SC1723479	SC1723479
9	Unitised Seal	SC1723429	SC1723429
10	Drum 10 Stud	SC1723184	SC1723185
11	Dustcover Assembly	SC1723233	SC1723232
12	Slack Adjusters	See Page 1.128	
13	● Wearing Gauge	SC1874070	SC1874070
14	Slack Adjuster Spring	SC1941673	SC1941673
15	Camshaft	See Page 1.128	
16	Camshaft Bearing Kit Comes with 18	SC2147959	SC2147959
17	● Camshaft Bearing Kit	SC1723406	SC1723406
18	● Camshaft Washer Kit	SC1723410	SC1723410
19	Return Spring	SC1941675	SC1941675
20	Cross Strap	SC1873421	SC1873421
21	Cam Roller	SC1723492	SC1723492
22	Lock washer per pair	SC1723468	SC1723468
23	Bolt & Nut Assembly per pair	SC1873906	SC1873906
24	Lined Brake Shoe	See Page 1.175	
25	Anchor Pin assembly	SC1723134	SC1723134
26	Spindle Locking Nut	SC1723127	SC1723127
27	Lock washer	SC1723470	SC1723470
28	Adjuster Nut	SC1723119	SC1723119
29	● Screw Assembly	SC1873911	SC1873911
30	Bolt	SC1782995	SC1782995
31	Brake Anchor Complete with Bearing Bush and item 29	SC1939111	SC1939111

Notes:

# SAF Components

SAF WRZM Axle Assembly		
Model	Axle Codes	Date of Manufacture
WRZM	WRZM8130 (300 x 200mm), WRZM11030 (300 x 200mm) WRZM8435 (355 x 200mm) WRZM11035 (355 x 200mm)	01/03/1994 on
Notes:		

AXLE & SUSPENSION



# SAF Components

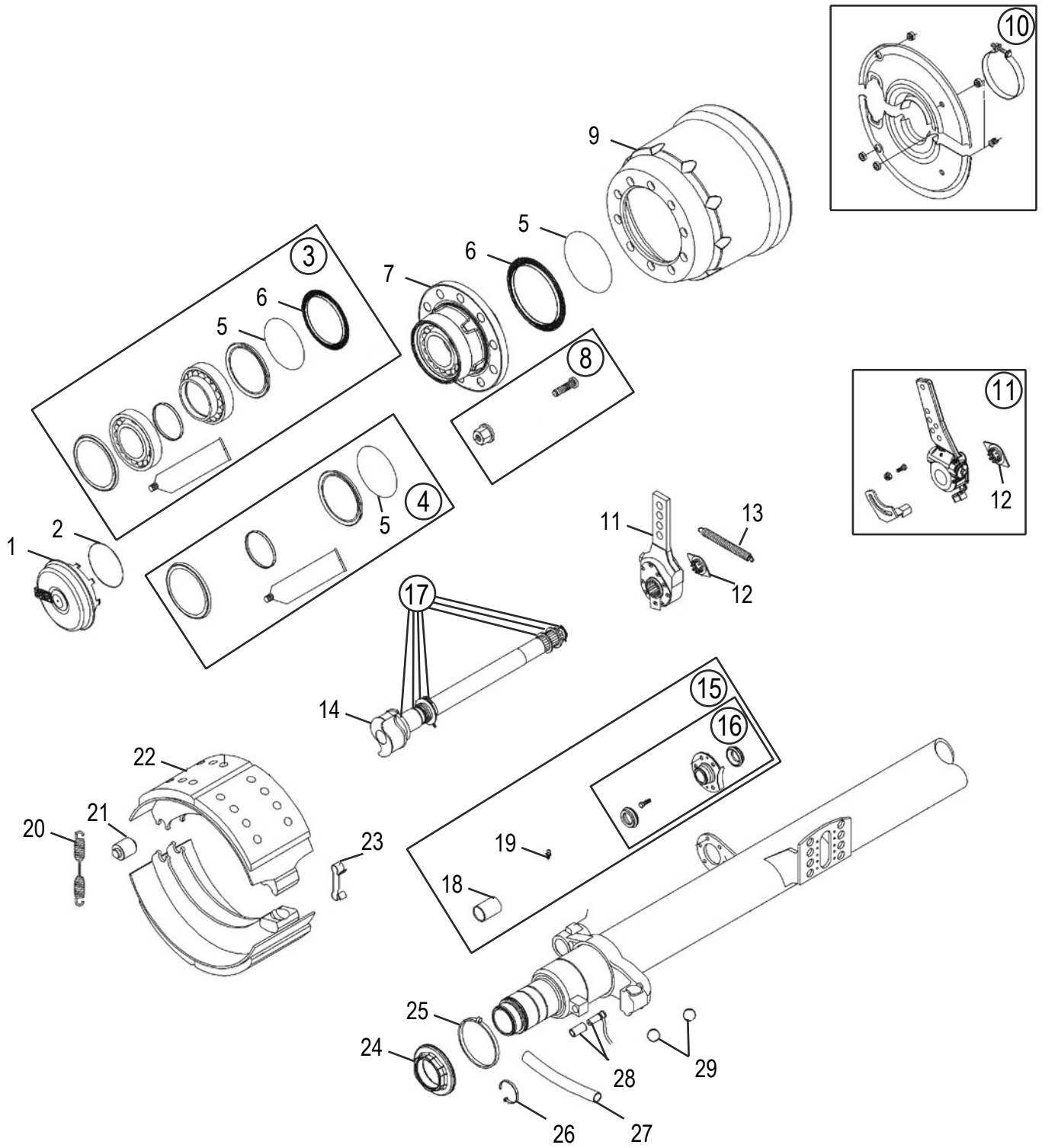
SAF WRZ & WRZM Axle Assembly			
Item	Description	WRZM8130 WRZM11030 SJ22/23 300 x 200mm	WRZM8435 WRZM11035 SJ26/27 355 x 200mm
1	Hub Cap	SC1723494	SC1723494
2	Bolt C/W Washer for Hub Cap	SC1874311	SC1874311
3	Hub Cap Gasket	SC1723462	SC1723462
4	Bearing Outer	SC1723478	SC1723478
5	Dowel Pin for Wheel Stud	SC1873269	SC1873269
6	Hub 10 Stud	SC1723328	SC1723328
7	Wheel Stud & Nut assembly M22 x 1.5mm ISO	SC1941677	SC1941677
8	Bearing Inner	SC1723479	SC1723479
9	Grease Seal	SC1723429	SC1723429
10	Drum 10 Stud	SC1723186	SC1723188
10	Drum 10 Stud ABS Mounting Holes	SC1748099	SC1875171
11	Dustcover Assembly includes screws	SC1723234	SC1723238
12	Slack Adjusters	See Page 1.128	
13	• Wearing Gauge	SC1874070	SC1874070
14	Slack Adjuster Spring	SC1723297	SC1723297
15	Camshaft	See Page 1.128	
16	Camshaft Bearing Repair Kit comes with 18	SC1748128	SC1748128
17	• Camshaft Bearing Assembly	SC1723407	SC1723407
18	• Camshaft Kit	SC1723410	SC1723410
19	Return Spring	SC2064274	SC1723300
20	Cross Strap	SC1873422	SC1873422
21	Camroller	SC1723492	SC1723492
22	Lock washer	SC1723468	SC1723468
23	Bolt & Nut assembly	SC1873906	SC1873906
24	Lined Brake Shoe	See Page 1.175	
25	Anchor Pin assembly	SC1723134	SC1723134
26	Spindle Locking Nut	SC1723127	SC1723127
27	Lock washer	SC1723470	SC1723470
28	Adjuster Nut	SC1723119	SC1723119
29	Bolt	SC1782995	SC1782995
30	Grease Nipple	SC1874128	SC1874128

Notes:

# SAF Components

SAF Z9 & Z11 Axle Assembly			
Model	Brake Size	Axle Codes	Date of Manufacture
Z9, Z11	300 x 200mm	Z93020, Z113020	01/03/94 On
Notes:			

AXLE & SUSPENSION



# SAF Components

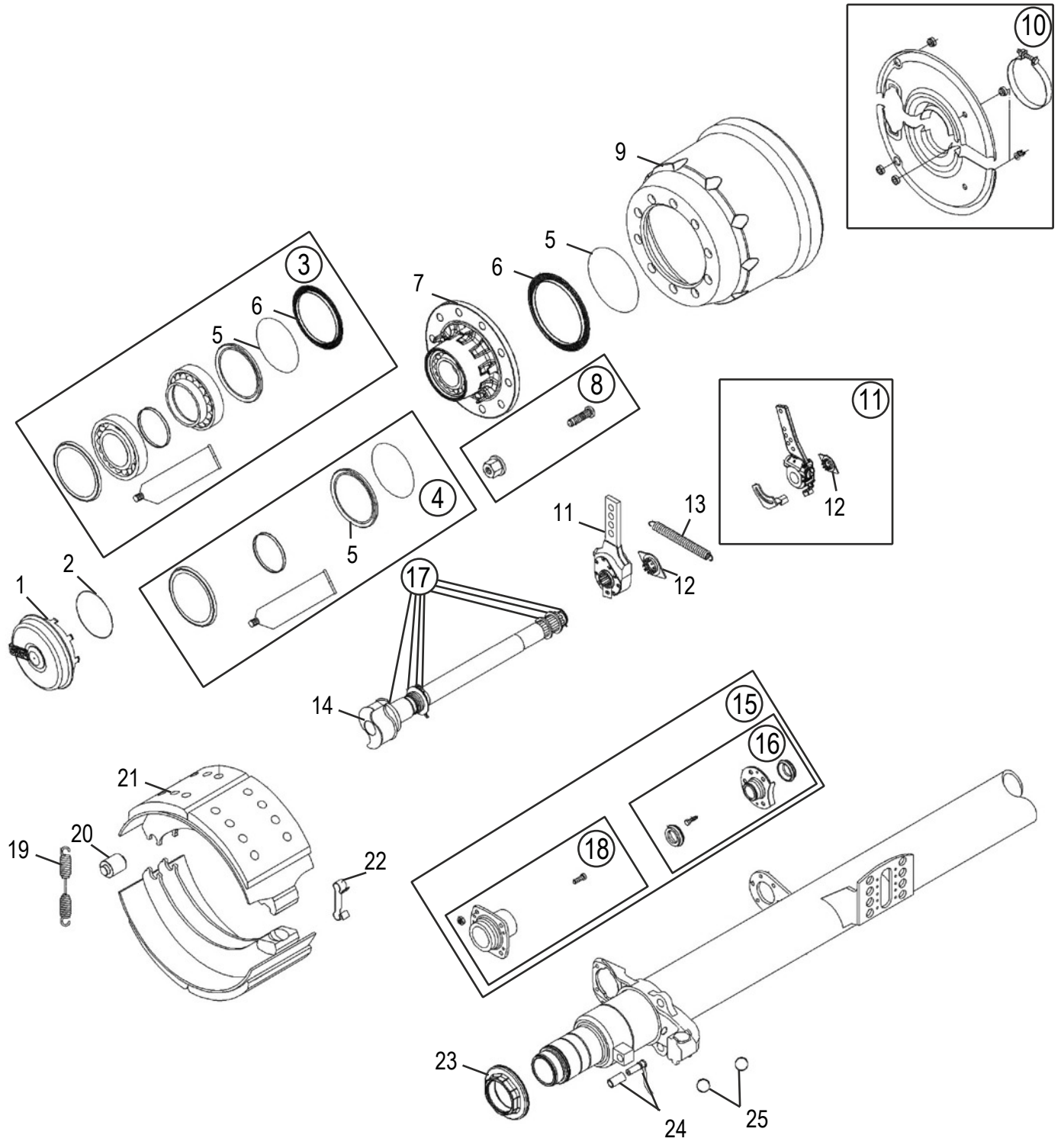
SAF Z9 & Z11 Axle Assembly		
Item	Description	Z93020 Z113020 300 x 200mm
1	Hub cap	SC2091450
1	Hub cap - Hubodometer	SC2091887
2	O-ring	SC2090865
3	Bearing Kit comes	SC2064255
4	● Grease Repair Kit	SC2064258
5	●● O-ring	SC1723383
6	● Exciter Ring	SC1874009
7	Hub unit assembly.	SC1873893
8	Wheel bolt/nut kit	SC1941681
9	Brake drum 300x200mm	SC1723192
10	Dust cover pair Kit	SC1748108
11	Slack adjusters	See Page 1.128
12	● Wearing Gauge	SC1874074
13	Pull-off spring	SC1723297
14	Camshaft	See Page 1.128
15	Camshaft Repair Kit comes with item 17	SC1748129
16	● Camshaft bearing assembly	SC1723408
17	● Camshaft Kit	SC1723412
18	● Cam bronze bush D50mm / 46mm x 40mm	SC1941700
19	● Grease nipple AM 8x1mm 16 lg	SC1876606
20	Return spring	SC1941676
21	Cam-roller	SC1723493
22	Brake shoe assembly	See Page 1.175
23	Retaining clamp	SC1941664
24	Axle nut RH M75x1.5mm SW85mm	SC1875532
24	Axle nut LH M75x1.5mm SW85mm	SC1939031
25	Collar	SC1874097
26	Clamp Ring	SC1873266
27	Protective Hose	SC1874224
28	ABS kit with Renolit Grease	SC1872621
29	Anchor ball 40mm	SC1723517
Notes:		

# SAF Components

## SAF S9 Z9 S11 Z11 Axle Assembly

Model	Brake Size	Axle Codes
S9, Z9, S11, Z11	370 x 200mm	Z93720, S93720, Z113720, S113720
Notes:		

AXLE & SUSPENSION





# SAF Components

SAF S9 Z9 S11 Z11 Axle Assembly		
Item	Description	S & Z93720 S & Z113720 370 x 200mm
1	Hub cap	SC2091450
1	Hub cap - Hubodometer	SC2091887
2	O-ring	SC2090865
3	Bearing Kit	SC2064255
4	● Grease Repair Kit	SC2064258
5	●● O-ring	SC1723383
6	● Exciter Ring Axle type - Z113720 only	SC1874010
6	Exciter Ring	SC1874011
7	Hub unit assembly 10 Stud - SAF Type Z113720-10L, Z93720-10L	SC1873893
7	Hub unit assembly 8 Stud - SAF Type S113720, Z113720-8L, Z93720-8L	SC1873895
8	Wheel bolt/nut kit	SC1941683
8	Wheel bolt/nut kit	SC1941681
9	Brake drum 367x200mm 10 Stud - SAF Type Z113720-10L, Z93720-10L	SC1723194
9	Brake drum 367x200mm 8 Stud - SAF Type S113720	SC1723195
9	Brake drum 367x200mm 8 Stud - SAF Type Z113720-8L, , Z93720-8L	SC1723193
10	Dust cover pair Kit	SC1723241
11	Slack adjusters	See Page 1.128
12	● Wear indicator	SC1874074
13	Pull-off spring	SC1723297
14	Camshaft	See Page 1.128
15	Camshaft bushing repair kit comes with item 17	SC1872779
16	● Camshaft bush Kit	SC1723408
17	● Camshaft Kit	SC1723412
18	● Cam bush unit	SC1723409
19	Return spring	SC1783489
20	Cam-roller	SC1723493
21	Brake shoe assembly	See Page 1.175
22	Retaining clamp	SC1941663
23	Axle nut RH M75x1.5mm SW85mm	SC1875532
23	Axle nut LH M75x1.5mm SW85mm	SC1939031
24	ABS kit with Renolit Grease	SC1872621
25	Anchor ball 40mm	SC1723517

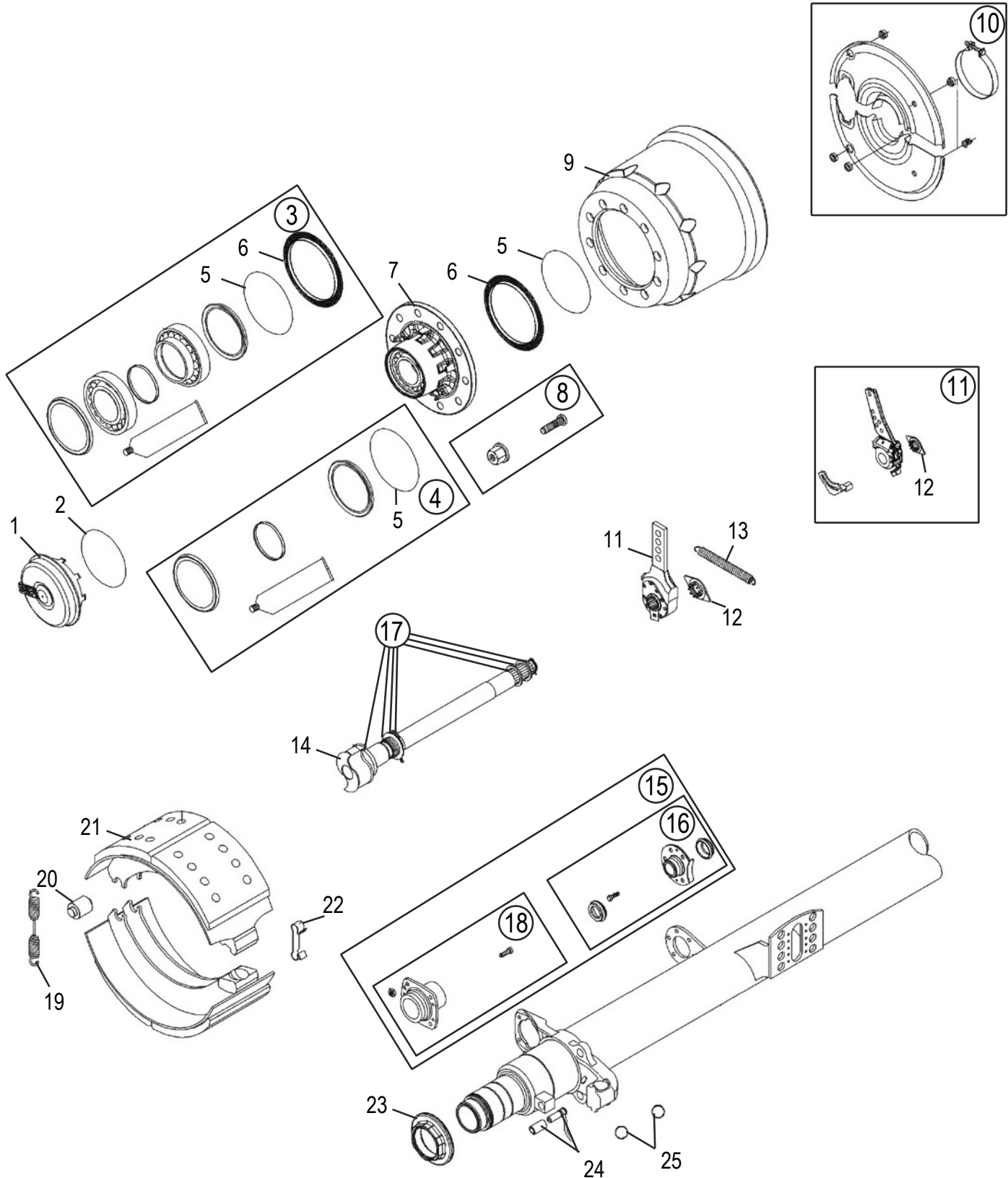
Notes:

# SAF Components

## SAF S9 & Z9 Axle Assembly

Model	Brake Size	Axle Codes
S9, Z9	420 x 180mm	S94218, Z94218
Notes:		

AXLE & SUSPENSION



# SAF Components

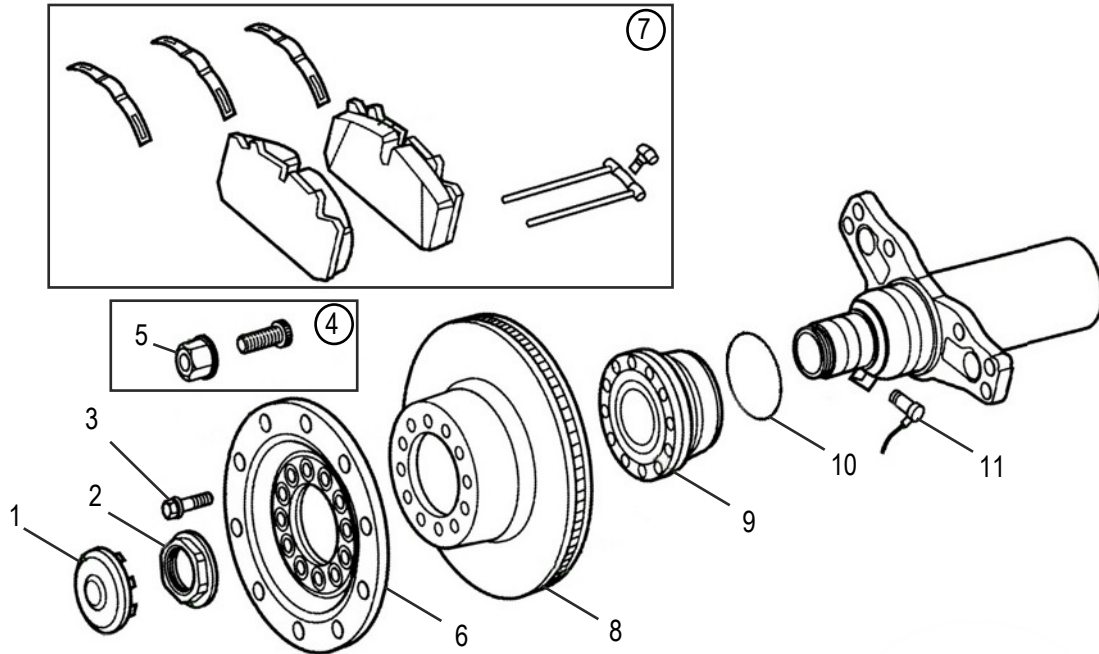
SAF S9 & Z9 Axle Assembly		
Item	Description	S94218 Z94218 420 x 180mm
1	Hub cap	SC2091450
1	Hub cap - Hubodometer	SC2091887
2	O-ring	SC2090865
3	Bearing Kit comes	SC2056465
4	● Grease Repair Kit	SC2064258
5	●● O-ring	SC1723383
6	● Exciter Ring	SC1874011
7	Hub unit	SC2079031
8	Wheel bolt/nut kit, M22 x 1.5mm x 83mm Single Wheel	SC1941683
8	Wheel bolt/nut kit, M22 x 1.5mm x 93mm Twin Wheel	SC1941681
9	Brake drum 420x180mm	SC1723190
10	Dust cover pair Kit	SC1723242
11	Slack adjusters	See Page 1.128
12	● Wear indicator	SC1874074
13	Pull-off spring 185mm	SC2064275
13	Pull-off spring 148mm	SC1723297
14	Camshaft	See Page 1.128
15	Camshaft bushing repair kit comes with item 17	SC1872779
16	● Camshaft bush fixing Kit	SC1723408
17	● Camshaft kit	SC1723412
18	● Cam bush unit	SC1723409
19	Return spring	SC1783489
20	Cam-roller	SC1723493
21	Brake shoe assembly	See Page 1.175
22	Retaining clamp	SC1941663
23	Axle nut RH M75x1.5mm SW85mm	SC1875532
23	Axle nut LH M75x1.5mm SW85mm	SC1939031
24	ABS kit with grease	SC1872621
25	Anchor ball 40mm	SC1723517
Notes:		

# SAF Components

## SAF RB Axle Assembly

Model	Hub	Axle Codes
RB	Standard	SKRB9019K, SKRB9019W, SKRB9022K, SKRB9022K01, SKRB9022H, SKRB9022W

Notes: The difference in the axle codes above are the brake discs (19.5" & 22.5"), brake pads (19.5" & 22.5" Wabco, Knorr Bremse & Haldex)



Item	Description	Part No
1	Hub Cap	SC2057571
1	Hub Cap / Hubodometer	SC2090848
2	Axle End Nut (R/H) (85mm)	SC1877723
2	Axle End Nut (L/H) (85mm)	SC1877722
3	Flange Torque Bolt (M18)	SC1723146
4	Wheel Bolt Complete Steel Wheel (M22 x 1.5mm x 68mm) (Nut & Bolt Kit)	SC1941685
4	Wheel Bolt Complete Alum Wheel (M22 x 1.5mm x 78mm) (Nut & Bolt Kit)	SC1941689
5	• Wheel Nut ISO Steel/Alum. Wheel	SC1941701
6	Wheel Flange 10 Stud - none vented early type shown above	SC1748100
6	Wheel Flange 10 Stud - vented later type not shown above	SC1873234
6	Wheel Flange 8 Stud	SC1875402
7	Brake Pad Set (Knorr SN) 19.5" Wheel (Axle Type - SKRB9019K)	SC1723330
7	Brake Pad Set (Knorr SN) 22.5" Wheel (Axle Type - SKRB9022K)	SC1723329
7	Brake Pad Set (Knorr SK) 22.5" Wheel (Axle Type - SKRB9022K01)	SC1748114
7	Brake Pad Set (Haldex) 22.5" Wheel (Axle Type - SKRB9022H)	SC2149069
7	Brake Pad Set (Wabco) 19.5" Wheel (Axle Type - SKRB9019W)	SC1723331
7	Brake Pad Set (Wabco) 22.5" Wheel (Axle Type - SKRB9022W)	SC1723332
8	Brake Disc 19.5" Wheels	SC2064262
8	Brake Disc 22.5" Wheels	SC1747685
9	Hub Unit c/w ABS Ring	SC1723510
10	O Ring	SC1723383
11	ABS Sensor	Contact Local Branch

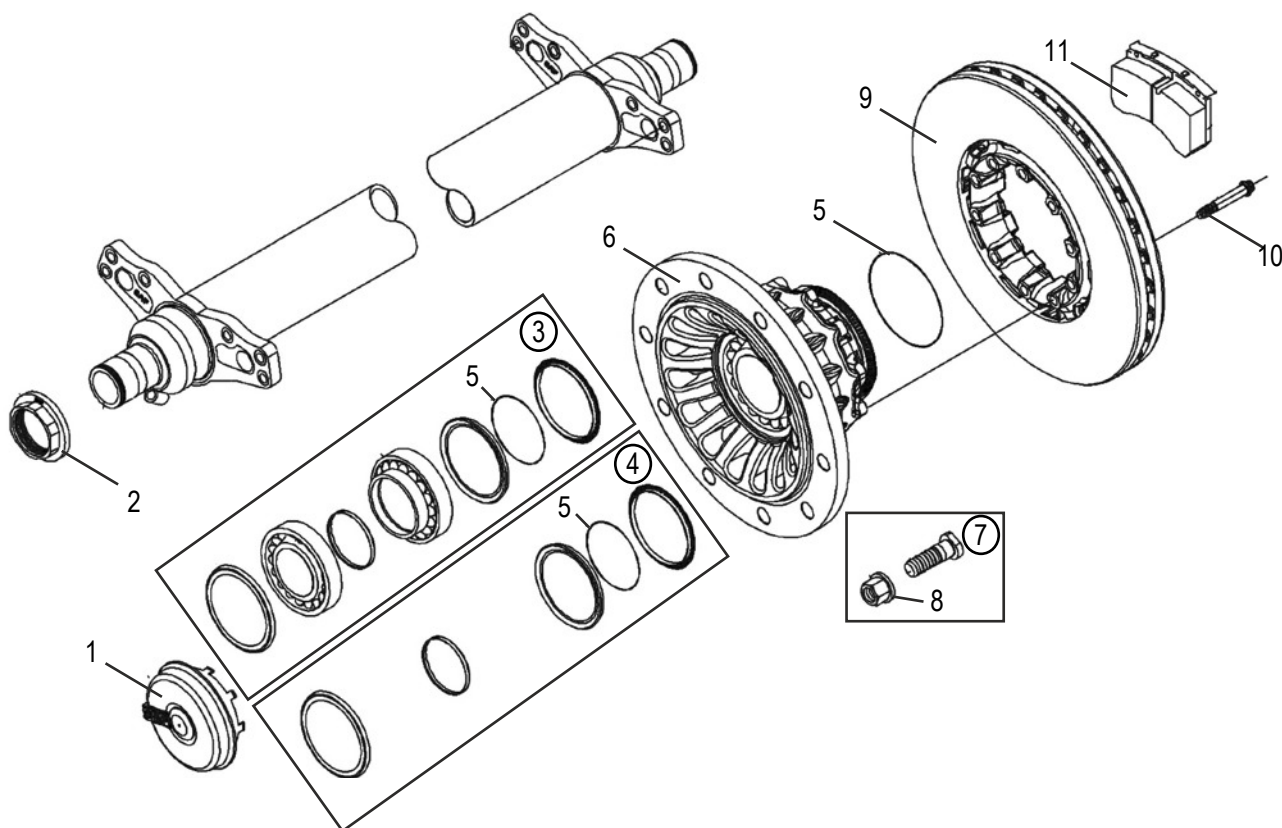
Notes:

# SAF Components

## SAF RB Axle Assembly

Model	Hub	Axle Codes
RB	Integral	SKRB9019KI, SKRB9019WI, SKRB9022KI, SKRB9022KI01, SKRB9022WI

Notes: The difference in the axle codes above are the brake discs (19.5" & 22.5"), brake pads (19.5" & 22.5" Wabco, Knorr Bremse)



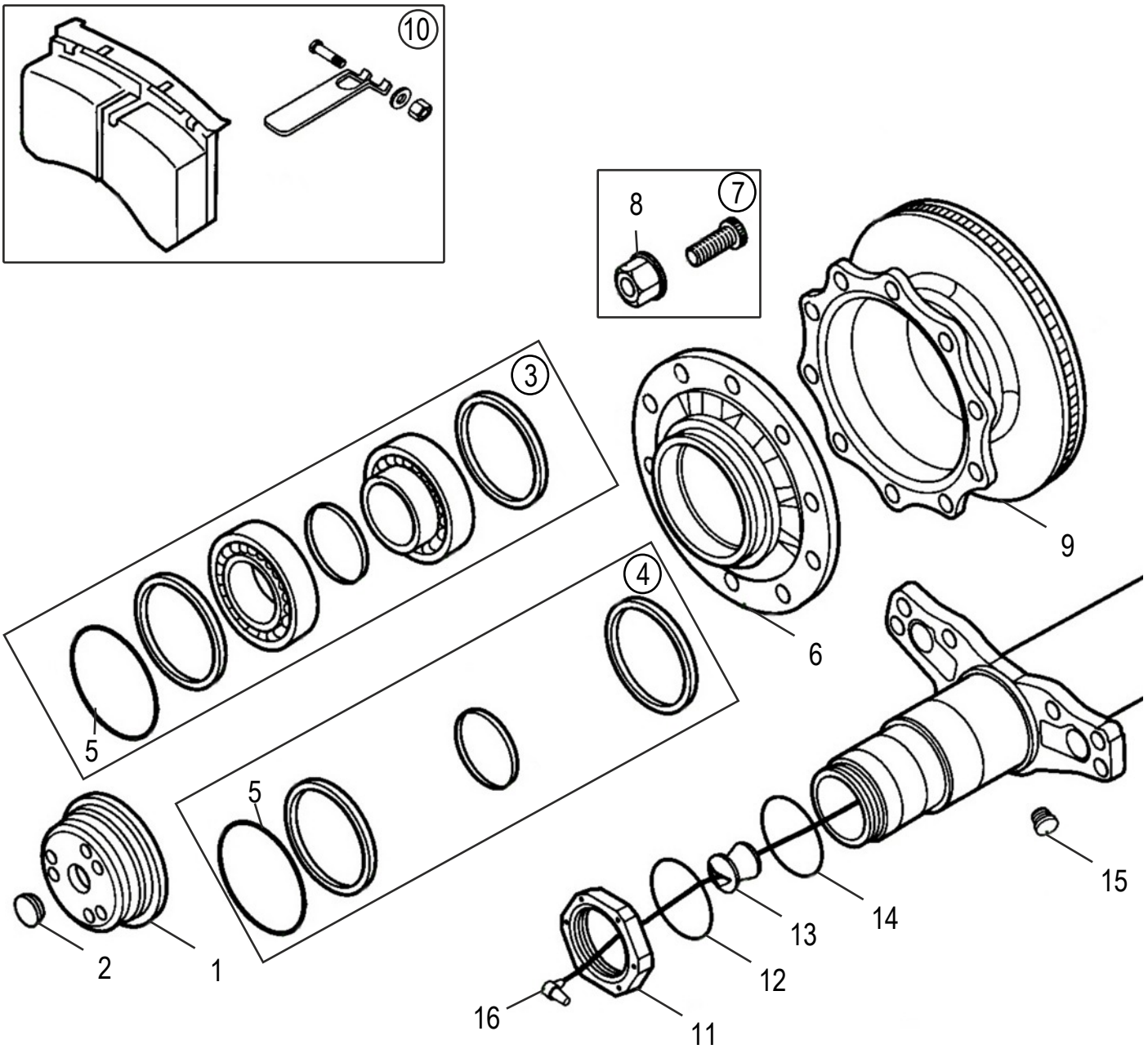
Item	Description	Part No
1	Hub Cap	SC2091450
1	Hub Cap / Hubodometer	SC2091887
2	Axle End Nut (R/H) (85mm)	SC1877723
2	Axle End Nut (L/H) (85mm)	SC1877722
3	Bearing & Seal Kit (comes with grease)	SC1944377
4	● Seal Kit (comes with grease)	SC2064257
5	●● O Ring	SC1723383
6	Wheel Flange / Hub Assembly Integral	SC2134511
7	Wheel Bolt Complete with Nut - Steel Wheel (M22 x 1.5 x 68mm)	SC1941685
7	Wheel Bolt Complete with Nut - Alum Wheel (M22 x 1.5 x 78mm)	SC1941689
8	● Wheel Nut ISO Steel/Alum. Wheel	SC1941701
9	Brake Disc 19.5" Wheels	SC2064263
9	Brake Disc 22.5" Wheels	SC2032206
10	Disc Mounting Kit (comes with grease) comes with O ring item 5	SC1939027
10	● Double Hex Bolt M12 x 1.5 x 75mm	SC1723152
11	Brake Pad Set (Knorr SN) 19.5" Wheel (Axle Type - SKRB9019KI)	SC1723330
11	Brake Pad Set (Knorr SN) 22.5" Wheel (Axle Type - SKRB9022KI)	SC1723329
11	Brake Pad Set (Knorr SK) 22.5" Wheel (Axle Type - SKRB9022KI01)	SC1748114
11	Brake Pad Set (Wabco) 19.5" Wheel (Axle Type - SKRB9019WI)	SC1723331
11	Brake Pad Set (Wabco) 22.5" Wheel (Axle Type - SKRB9022WI)	SC1723332

Notes:

# SAF Components

SAF RS & RZ Axle Assembly	
Model	Axle Codes
RS & RZ	SKRS9019K, SKRS9019W, SKRS9022H, SKRS9022K, SKRS9022K01, SKRS9022W, SKRS11019K, SKRS11019W, SKRS11222K, SKRS11222K01, SKRS11222W, SKRZ9022K, SKRZ9019K, SKRZ9019W, SKRZ9022W, SKRZ11019K, SKRZ11019W, SKRZ11222K, SKRZ11222K01, SKRZ11222W
Notes: The difference in the axle codes above are the brake discs (19.5" & 22.5"), brake pads (19.5" & 22.5" Wabco, Knorr Bremse & Haldex), Wheel Bolts (RS - Single Wheel & RZ - Twin Wheel)	

AXLE & SUSPENSION



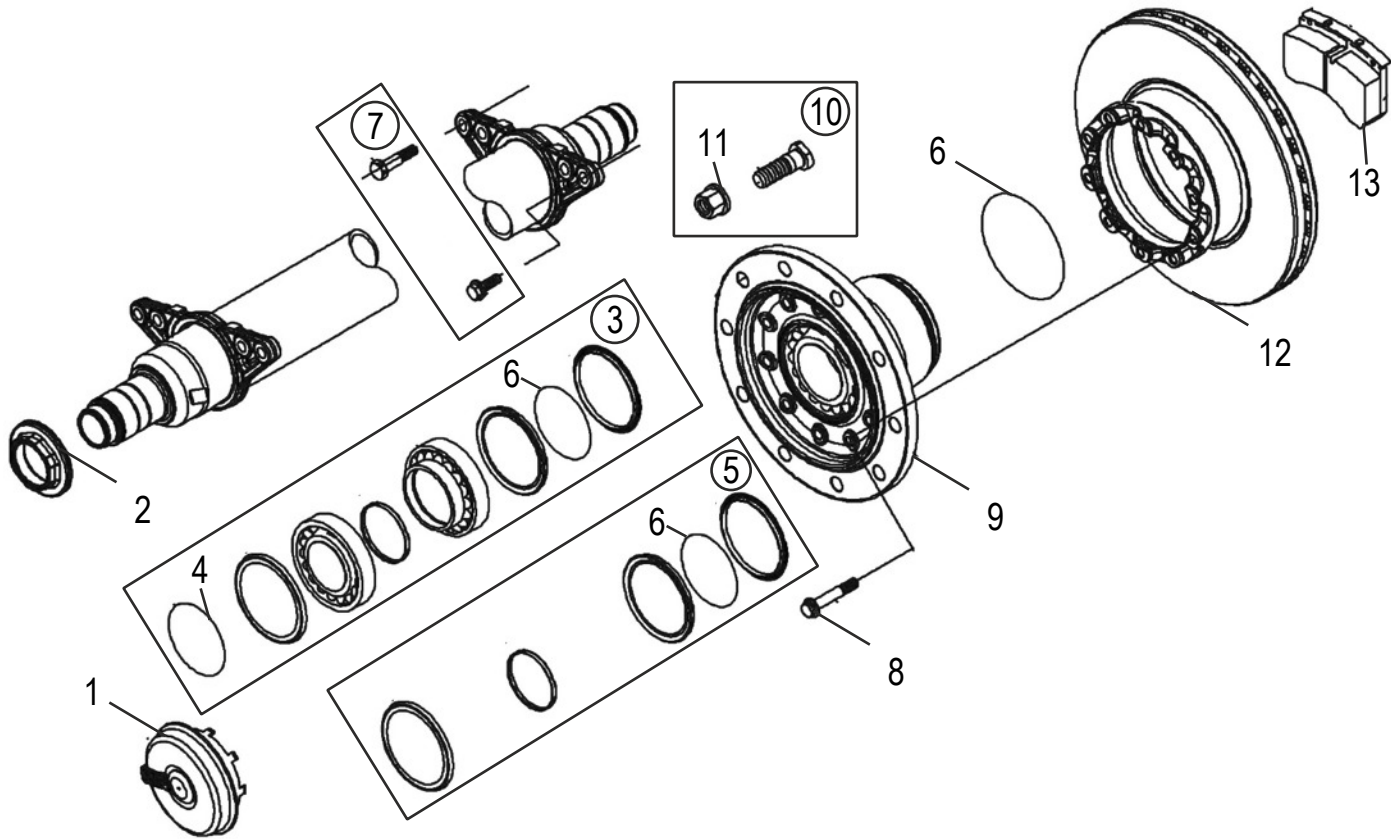
# SAF Components

SAF RS & RZ Axle Assembly		
Item	Description	Part No.
1	Hub Cap None ABS c/w O Ring Item 5 & Plug item 1	SC1723350
1	Hub Cap 100 teeth ABS c/w O Ring Item 5 & Plug item 1	SC1723351
1	Hub Cap 90 teeth ABS c/w O Ring Item 5 & Plug item 1	SC1723354
2	• Protection Plug	SC1723528
3	Bearing & Seal Kit 19.5" & 22.5" (comes with grease)	SC1723477
4	Seal Kit 19.5" & 22.5" (comes with grease)	SC1723423
5	• Hub Cap '0' Ring (182mm x 4 mm)	SC1723377
6	Hub Assembly 19.5"	SC2243117
6	Hub Assembly 22.5"	SC2243114
7	Wheel Bolt Kit comes with nut (M22 x 1.5mm x 83mm) RS - Single Wheel	SC1941683
7	Wheel Bolt Kit comes with nut (M22 x 1.5mm x 93mm) RZ - Twin Wheel	SC1941681
8	• Wheel Nut	SC1941701
9	Brake Disc 19.5" Wheels	SC1723368
9	Brake Disc 22.5" Wheels	SC1723367
10	Brake Pad Set (Knorr SN) 19.5" Wheel (Axle Type - xxxxx19K)	SC1723330
10	Brake Pad Set (Knorr SN) 22.5" Wheel (Axle Type - xxxxx22K)	SC1723329
10	Brake Pad Set (Knorr SK) 22.5" Wheel (Axle Type - xxxxx22K01)	SC1748114
10	Brake Pad Set (Wabco) 19.5" Wheel (Axle Type - xxxxx19W)	SC1723331
10	Brake Pad Set (Wabco) 22.5" Wheel (Axle Type - xxxxx22W)	SC1723332
10	Brake Pad Set (Haldex) 22.5" Wheel (Axle Type - xxxxx22H)	SC2149069
11	Axle End Nut (R/H)	SC1723121
11	Axle End Nut (LH)	SC1723122
12	O Ring (116mm x 3 mm)	SC1723376
13	Bung	SC1874222
14	O Ring (110mm x 2mm)	SC1723378
15	Bung	SC1874221
16	ABS Sensor	Contact Local Branch
Notes:		

# SAF Components

## SAF B9 Axle Assembly

Model	Axle Codes
B9	B922K01



AXLE & SUSPENSION

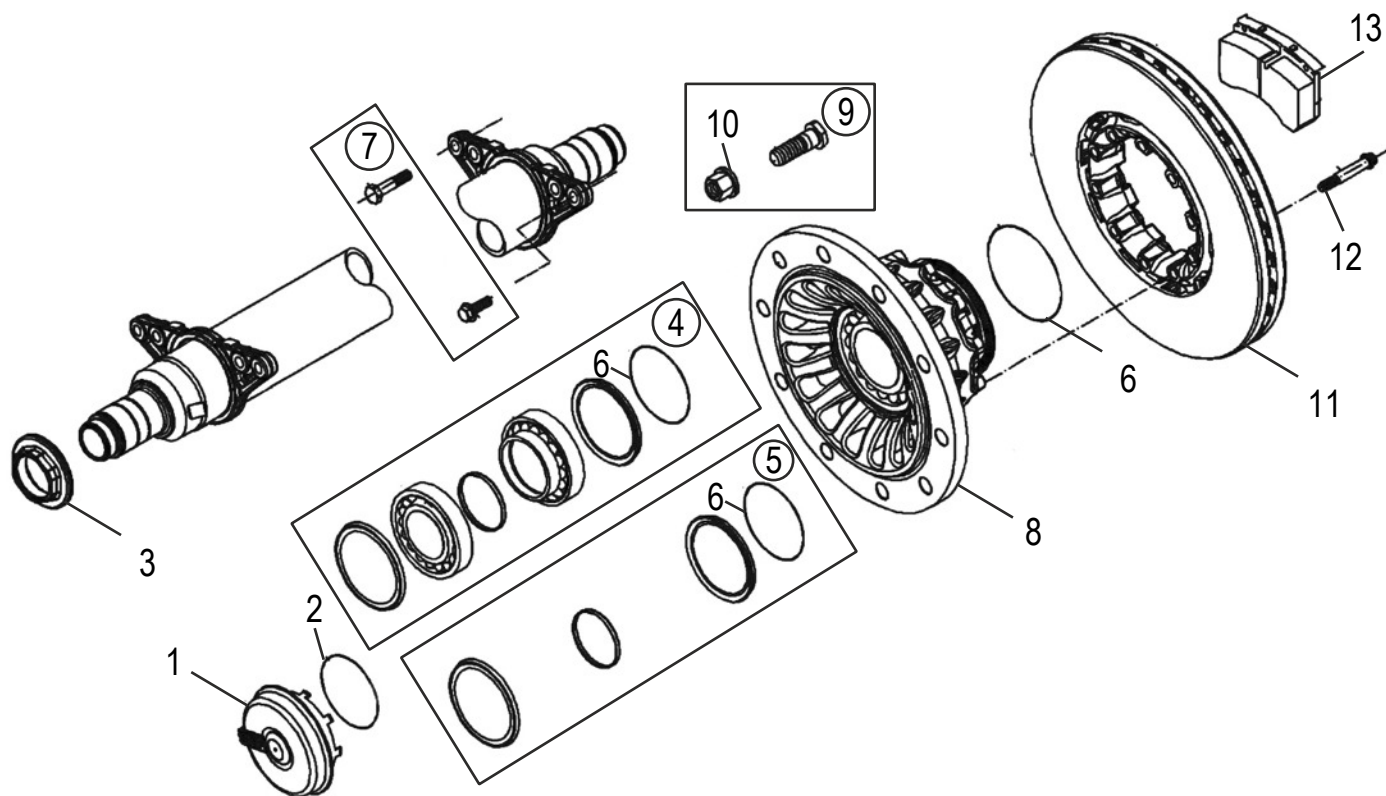
Item	Description	Part No
1	Hub Cap	SC2091450
1	Hub Cap / Hubodometer	SC2091887
2	Axle End Nut (R/H) (M75 X 1.5mm SW85mm)	SC1875532
2	Axle End Nut (L/H) (M75 X 1.5mm SW85mm)	SC1939031
3	Bearing & Seal Kit (comes with grease)	SC2064193
4	● O Ring	SC2090865
5	● Seal Kit (comes with grease)	SC2064259
6	●● O Ring	SC1723383
7	Caliper Mounting Bolt Kit	SC1873980
8	Disc Mounting Kit (comes with grease & O ring item 6)	SC2090885
8	● Bolt	SC2185472
9	Hub Assembly	SC2090846
10	Wheel Bolt Complete with nut, Steel Wheel (M22 x 1.5mm x 68mm)	SC1941685
10	Wheel Bolt Complete with nut, Aluminium Wheel (M22 x 1.5 x 78mm)	SC1941689
11	● Wheel Nut ISO Steel/Alum. Wheel	SC1941701
12	Brake Disc 22.5" Wheels	SC2064261
13	Brake Pad Set (Knorr SK) 22.5" Wheel	SC1748114

Notes:



# SAF Components

SAF BI9 Axle Assembly		
Model	Hub	Axle Codes
BI9	Integral	BI922K01



Item	Description	Part No
1	Hub Cap	SC2091450
1	Hub Cap / Hubodometer	SC2091887
2	● O Ring	SC2090865
3	Axle End Nut (R/H) (M75 X 1.5mm SW85mm)	SC1875532
3	Axle End Nut (L/H) (M75 X 1.5mm SW85mm)	SC1939031
4	Bearing Kit & Seal kit (comes with grease)	SC2064193
5	● Seal Kit (comes with grease)	SC2064259
6	●● O Ring	SC1723383
7	Caliper Mounting Bolt Kit	SC1873980
8	Hub Assembly Integral 22.5"	SC1873892
9	Wheel Bolt Complete comes with nut Steel Wheel (M22 x 1.5mm x 68mm)	SC1941685
9	Wheel Bolt Complete comes with nut Alum Wheel (M22 x 1.5mm x 78mm)	SC1941689
10	● Wheel Nut ISO Steel/Alum. Wheel	SC1941701
11	Brake Disc 22.5" Wheels	SC2032206
12	Disc Mounting Kit (comes with grease and item 6)	SC1939027
12	● Bolt	SC1723152
13	Brake Pad Set (Knorr SK7) 22.5" Wheel	SC1748114

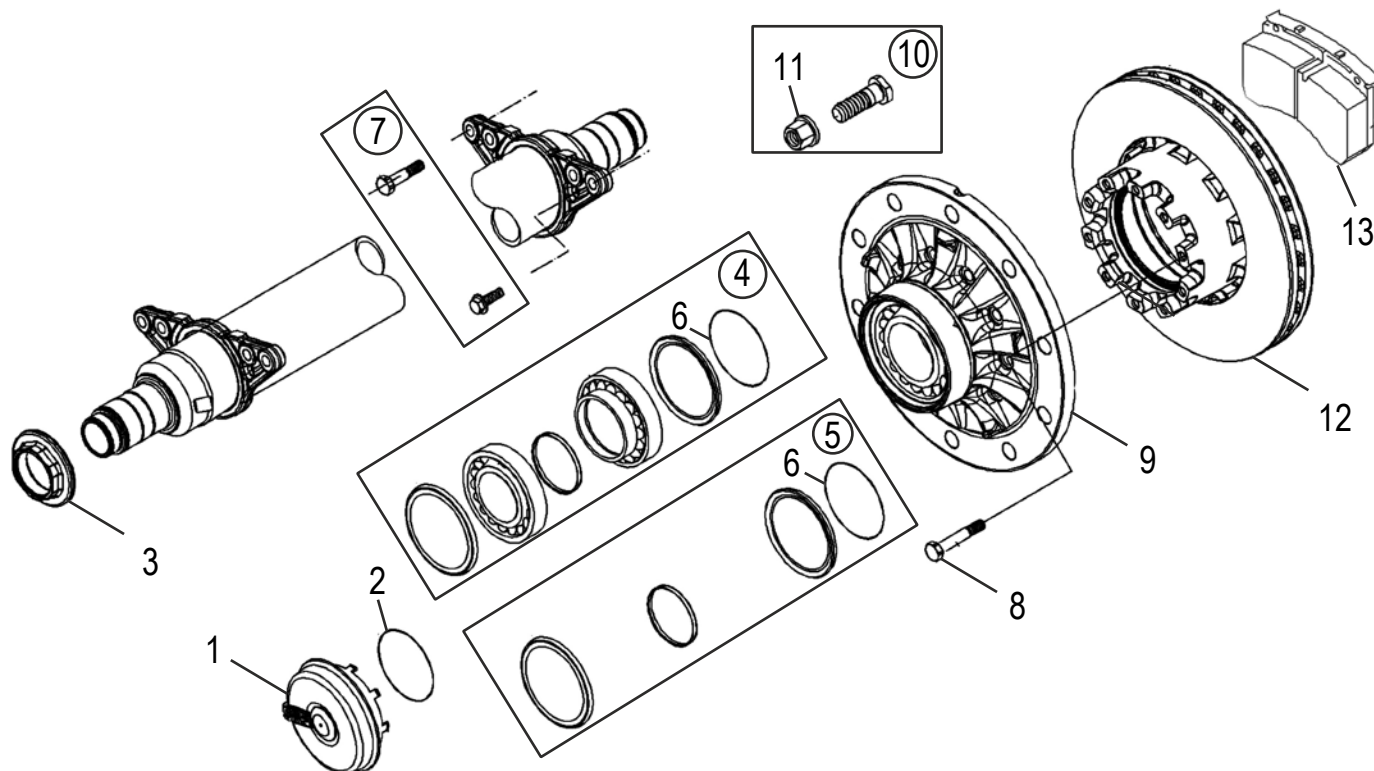
Notes:

# SAF Components

## SAF SI9, SI11, ZI9, ZI11 Axle Assembly

Model	Hub	Axle Codes
SI9, SI11 ZI9, ZI11	Integral	SI919K, SI922K01, SI1122K01, ZI919K, ZI922K01, ZI1119K, ZI1122K01

Notes: The difference in the axle codes above are the brake discs (19.5" & 22.5")  
brake pads (19.5" & 22.5")  
Wheel Bolts (S - Single Wheel & Z - Twin Wheel)



Item	Description	Part No
1	Hub Cap	SC2091450
1	Hub Cap / Hubodometer	SC2091887
2	● O Ring	SC2090865
3	Axle End Nut (R/H) (M75 X 1.5mm SW85mm)	SC1875532
3	Axle End Nut (L/H) (M75 X 1.5mm SW85mm)	SC1939031
4	Wheel Bearing and seal kit 19.5" & 22.5" (comes with grease)	SC2064256
5	● Seal Kit 19.5" & 22.5" (comes with grease)	SC2064258
6	●● O Ring	SC1723383
7	Caliper Mounting Bolt Kit	SC1873980
8	Disc Mounting Kit (comes with grease and item 6)	SC2090885
8	● Bolt	SC2185472
9	Hub Assembly Integral 19.5" (8 Stud)	SC2090843
9	Hub Assembly Integral 22.5" (10 Stud, shown)	SC1876904
10	Wheel Bolt Complete, comes with nut (M22 x 1.5mm x 68mm) Single Wheel	SC1941685
10	Wheel Bolt Complete, comes with nut (M22 x 1.5mm x 78mm) Twin Wheel	SC1941689
11	● Wheel Nut ISO Steel/Alum. Wheel (M22 x 1.5)	SC1941701
12	Brake Disc 19.5" Wheels	SC2064281
12	Brake Disc 22.5" Wheels	SC2064280
13	Brake Pad Set (Knorr SN6) 19.5" Wheel (Axle Type - xxx19K)	SC1723330
13	Brake Pad Set (Knorr SK7) 22.5" Wheel (Axle Type - xxx22K01)	SC1748114

Notes:

# SAF Components

## Brake Calipers & Brake Pads

Haldex



SC1872732

Knorr Bremse



SC1723259  
SC2090750  
SC1872709  
SC2092737  
SC2079058

SC1723258  
SC2090751  
SC1872707  
SC2082029  
SC2082030

Wabco



SC1723265  
SC1723268

SC1723264  
SC1723267

Axle Code	Carrier	Wheel Size	Caliper	L/H Caliper	R/H Caliper	Brake Pads	Axle
SKRB9019K, SKRB9019KI, SKRS9019K, SKRZ11019K	5/6 Bolt	19.5"	(KB) SN6	SC1723259	SC1723258	SC1723330	Rigid
SI919K, ZI919K, ZI1119K	4 Bolt	19.5"	(KB) SN6	SC2090750	SC2090751	SC1723330	Rigid
SKRB9022K, SKRB9022KI, SKRS9022K, SKRS11222K, SKRZ11222K		22.5"	(KB) SN7	SC1872709	SC1872707	SC1723329	Rigid
SKRB9022K01, SKRB9022KI01, SKRS9022K01, SKRZ11222K	5/6 Bolt	22.5"	(KB) SK7	SC2082029	SC2092737	SC1748114	Rigid
B922K01, BI922K01, SI922K01, SI1122K01, ZI922K01, ZI1122K01	4 Bolt	22.5"	(KB) SK7	SC2082030	SC2079058	SC1748114	Rigid
SKRB9022H, SKRB9022HI, SKRS9022H		22.5"	Haldex	SC1872732		SC2149069	Rigid
SKRB9019W, SKRB9019WI, SKRS9019W, SKRZ9019W, SKRS11019W, SKRZ11019W		19.5"	Wabco	SC1723265	SC1723264	SC1723331	Rigid
SKRB9022W, SKRB9022WI, SKRS9022W, SKRZ9022W, SKRZ11222W		22.5"	Wabco	SC1723268	SC1723267	SC1723332	Rigid

Notes: For Schmitz Trailers use Caliper Part Numbers SC1872704 & SC1872706) (SN7 22.5")

It is important to note that the L/H caliper could be mounted on the right hand side of the vehicle. This situation could also apply to the right hand caliper due to the installation of the axle. Therefore it is recommended to confirm caliper I/D by the position of the ID Plate.

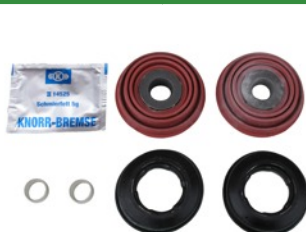
### Guide Seal Kit



Application: SN6, SN7  
Part No: SC1723416

Notes:

### Thrust Piece Repair Kit



Application: SN6, SN7, SK7  
Part No: SC1723417

Notes:

### Guide Seal Kit



Application: SB  
Part No: SC2064260

Notes:

### Guide Seal Kit



Application: Wabco Pan 19  
Part No: SC1872780

Notes:

AXLE & SUSPENSION

# SAF Components

## Reset Shaft Kit



Application	Part No
Haldex	SC2119426

Notes:

## Rubber Boot Repair Kit



Application	Part No
Haldex MK IV	SC1873987

Notes:

## Grease



Size	Type	Part No.
230gsm	EP2	SC1723385
1Kg	Renolit Paste	SC1874362

Notes:

## Air Locking Cylinder



Application	Part No
Steering Axle	SC1723482

Notes:

## King Pin Repair Kit



Application	Part No
Steering Axle	SC1873976

Notes:

## Stabilizing Assembly



Application	Part No
Steering Axle	SC1748182

Notes:

## Ball Joint



Application	Part No
Steering Axle	SC1723401

Notes:

## Ball Joint



Part No
SC1939130

Notes: 3205001700

## Brake Chamber Extension



OEM Part No.	Size
SC1947291	Unequal Legs
ST10077418	Equal Legs
ST10077423	Off Set Legs

Notes: Unequal legs shown

## Brake Chamber Double Diaphragm



OEM Part No.	Part No.	OEM Part No.
16/24	SC1748150	4454107764
18/24	SC1876718	4454107464
20/24	SC1748151	4454107964

Notes: Comes with Integrated Air Connection

# SAF Components

**Dust Cover**



Brake Size	Part No
<b>420 x 200mm</b>	<b>SC1723232</b>

Notes: Application RSM11242, RZM11242

**Dust Cover**



Brake Size	Part No
<b>420 x 180mm</b>	<b>SC1723233</b>

Notes: Application RSM8442


**Dust Cover**



Brake Size	Part No
<b>300 x 200mm</b>	<b>SC1723234</b>

Notes: Application WRZM8130, WRZM11030

**Dust Cover**



Brake Size	Part No
<b>355 x 200mm</b>	<b>SC1723236</b>

Notes: Application WRZM8435, WRZM11035

**Dust Cover**



Brake Size	Part No
<b>420 x 180mm</b>	<b>SC1723239</b>

Notes: Application SKRS11242, SKRS9042/20, SKRS9042 INTRAXX, SKRS9042 SK1000

**Dust Cover**



Brake Size	Part No
<b>420 x 180mm</b>	<b>SC1723242</b>

Notes: Application SKRS11242, SKRS9042/20, SKRS9042 INTRAXX, SKRS9042 SK1000, S94218, Z94218


**Dust Cover**



Brake Size	Part No
<b>420 x 200mm</b>	<b>SC1723237</b>

Notes: Application RSM9042/20

**Dust Cover**



Brake Size	Part No
<b>355 x 200mm</b>	<b>SC1723238</b>

Notes: Application WRZM8435, WRZM11035

**Dust Cover**



Brake Size	Part No
<b>370 x 200mm</b>	<b>SC1723241</b>

Notes: Application Z93720, S93720, Z113720, S113720


**Dust Cover**



Brake Size	Part No
<b>300 x 200mm</b>	<b>SC1748108</b>

Notes: Application SKRS9030, SKRZ9030, Z93020, Z113020

**Dust Cover**



Brake Size	Part No
<b>420 x 180mm</b>	<b>SC1748107</b>

Notes: Application RSM9042

# SAF Components

Wheel Bolt Assembly



Length	Thread	Part No.
108mm	M22 x 2mm	SC1723135

Notes:

Wheel Bolt Assembly



Length	Thread	Part No.
111mm	M22 x 2mm	SC1941677

Notes:

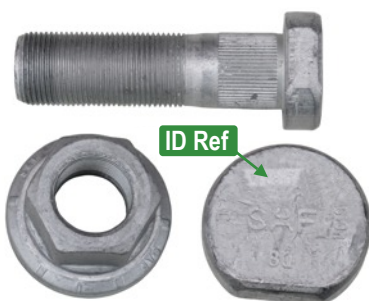
Wheel Bolt Assembly



Length	Thread	Part No.
197mm	M22 x 2mm	SC1941679

Notes:

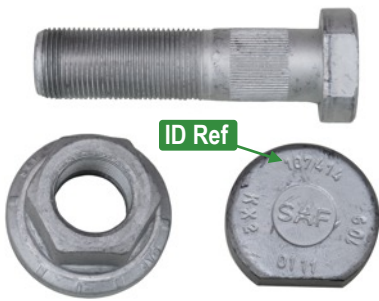
Wheel Bolt Assembly



ID Ref	Part No.
111811	SC1941689

Notes: M22 x 1.5 x 78mm Long  
Check the end of the wheel stud for ID Ref

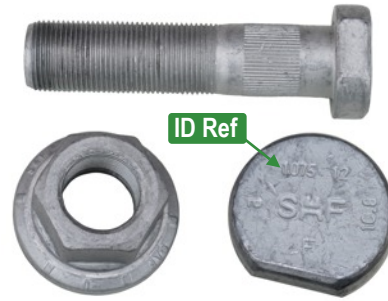
Wheel Bolt Assembly



ID Ref	Part No.
107414	SC1941683

Notes: M22 x 1.5 x 83mm Long  
Check the end of the wheel stud for ID Ref

Wheel Bolt Assembly



ID Ref	Part No.
107512	SC1941681

Notes: M22 x 1.5 x 93mm Long  
Check the end of the wheel stud for ID Ref

Wheel Bolt Assembly



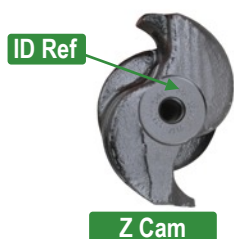
ID Ref	Part No.
112011	SC1941685

Notes: M22 x 1.5 x 68mm Long  
Check the end of the wheel stud for ID Ref

AXLE & SUSPENSION

# SAF Components

## Camshafts



Z Cam



S Cam



OEM L/H Part No.	L/H (S Cam)	OEM R/H Part No.	R/H (Z Cam)	L = Length	Application
2262151100	SC1873750	2262151200	SC1873751	212mm	SNK 300
2262150700	SC1873744	2262150800	SC1873745	258.5mm	SNK 300
2262150900	SC1873747	2262151000	SC1873748	582mm	SNK 300
2262150100	SC1873742	2262150200	SC1873743	662.5mm	SNK 300
2262151500	SC1873752	2262151600	SC1873753	689.5mm	SNK 300
2262110102	SC1873686	2262110002	SC1873684	563mm	SNK 420/367, Post 22.08.95
2262110302	SC1723316	2262110202	SC1723314	719mm	SNK 420/367, Post 22.08.95
2262110502	SC1873691	2262110402	SC1873689	227mm	SNK 420/367, Post 22.08.95
2262110902	SC1723320	2262110802	SC1723318	669mm	SNK 420/367, Post 22.08.95
2262111502	SC1723324	2262111402	SC1723322	698mm	SNK 420/367, Post 22.08.95
2262040302	SC1873615	2262040402	SC1873618	569.5mm	SN 300
2262040702	SC1723309	2262040802	SC1723310	629.5mm	SN 300
2262026102	SC1872770	2262026202	SC1872771	548mm	SNF 420 / SN 355
2262027902	SC1876185	2262028002	SC1876186	604mm	SNF 420 / SN 355
2262027102	SC1723305	2262027202	SC1723306	678.1mm	SNF 420 / SN 355
2262028302	SC1873598	2262028402	SC1723308	704mm	SNF 420 / SN 355
2262029302	SC1939083	2262029402	SC1873600	738mm	SNF 420 / SN 355
2262110301	SC1723315	2262110201	SC1723313	719mm	SNK 420/367, Pre 22.08.95

Notes:

AXLE & SUSPENSION

## Slack Adjusters (Supplied in Pairs)



OEM Part No.	Part No.	Size
4175032300	SC2090876	105/127/152mm
4175033000, 4175029000	SC1873969	127/152/178mm
4175032600, 4175032500	SC2090879	127/140mm
4175032800, 4175032900	SC2090881	127/140/152mm
*4175032200	*SC2090875	105/127/140mm
**4175032200	**SC2090880	105/127/140mm
4175033100	SC2090878	127/152mm

Notes: The SAF part number listed is the number stamped on the slack adjuster  
 \*For rigid axles  
 \*\*For steering axles

# SAF Components

**Hub Cap - Push On**



<b>Part No.</b>	<b>SC2091450</b>
<b>Size</b>	<b>n/a</b>
<b>Type</b>	<b>Non ABS</b>

Notes: Application SKRB9019KI, SKRB9019WI, SKRB9022KI, SKRB9022KI01, SKRB9022WI, B922K01, BI922K01, SI919K, SI922K01, S1122K01, ZI919K, ZI922K01, ZI1119K, ZI1122K01, Z93020, Z113020, Z93720, S93720, Z113720, S113720, S94218, Z94218

**Hub Cap - Push On**



<b>Part No.</b>	<b>SC2057571</b>
<b>Size</b>	<b>n/a</b>
<b>Type</b>	<b>Non ABS</b>

Notes: Application SKRB9019K, SKRB9019W, SKRB9022K, SKRB9022K01, SKRB9022H, SKRB9022W

**Hub Cap - ABS**



<b>Part No.</b>	<b>SC1723388</b>
<b>Size</b>	<b>Dia 170mm</b>
<b>Type</b>	<b>Push On</b>

Notes: Application SKRZ9037, SKRZ11037, SKRS9037, SKRS11037

**Hub Cap - Non ABS**



<b>Part No.</b>	<b>SC1723352</b>
<b>Size</b>	<b>Dia 170mm</b>
<b>Type</b>	<b>Push On</b>

Notes: Application SKRZ9037, SKRZ11037, SKRS9037, SKRS11037

**Hub Cap - Bolt On**



<b>Part No.</b>	<b>SC1723494</b>
<b>Size</b>	<b>Dia 165mm</b>
<b>Type</b>	<b>Non ABS</b>

Notes: Application RSM8442, RSM11242, WRZM8130, WRZM11030, WRZM8435, WRZM11035

**Hub Cap - Non ABS**



<b>Part No.</b>	<b>SC1723350</b>
<b>Size</b>	<b>Dia 195mm</b>
<b>Type</b>	<b>Push On</b>

Notes: Application SKRS9019K, SKRS9019W, SKRS9022H, SKRS9022K, SKRS9022K01, SKRS9022W, SKRS11019K, SKRS11019W, SKRS11222K, SKRS11222K01, SKRS11222W, SKRZ9022K, SKRZ9019K, SKRZ9019W, SKRZ9022W, SKRZ11019K, SKRZ11019W, SKRZ11222K, SKRZ11222K01, SKRZ11222W, SKRS9042 INTRAXX & SK1000, SKRS9042/20, SKRS11242

**Hub Cap - ABS 90 Tooth**



<b>Part No.</b>	<b>SC1723354</b>
<b>Size</b>	<b>Dia 200mm</b>
<b>Type</b>	<b>Push On</b>

Notes: Application SKRS9019K, SKRS9019W, SKRS9022H, SKRS9022K, SKRS9022K01, SKRS9022W, SKRS11019K, SKRS11019W, SKRS11222K, SKRS11222K01, SKRS11222W, SKRZ9022K, SKRZ9019K, SKRZ9019W, SKRZ9022W, SKRZ11019K, SKRZ11019W, SKRZ11222K, SKRZ11222K01, SKRZ11222W

**Hub Cap - ABS 100 Tooth**



<b>Part No.</b>	<b>SC1723351</b>
<b>Size</b>	<b>Dia 195mm</b>
<b>Type</b>	<b>Push On</b>

Notes: Application SKRS9019K, SKRS9019W, SKRS9022H, SKRS9022K, SKRS9022K01, SKRS9022W, SKRS11019K, SKRS11019W, SKRS11222K, SKRS11222K01, SKRS11222W, SKRZ9022K, SKRZ9019K, SKRZ9019W, SKRZ9022W, SKRZ11019K, SKRZ11019W, SKRZ11222K, SKRZ11222K01, SKRZ11222W, SKRS9042 INTRAXX & SK1000, SKRS9042/20, SKRS11242

**Hub Cap - Bolt On**



<b>Part No.</b>	<b>SC1873341</b>
<b>Size</b>	<b>Dia 205mm</b>
<b>Type</b>	<b>Non ABS</b>

Notes: Application RSM9042, RSM9042/20

**Hub Cap - ABS 100 Tooth**



<b>Part No.</b>	<b>SC1873878</b>
<b>Size</b>	<b>Dia 160mm</b>
<b>Type</b>	<b>Bolt On</b>

Notes: Application RSM9042, RSM9042/20

**Hub Cap - ABS 60 Tooth**



<b>Part No.</b>	<b>SC1877583</b>
<b>Size</b>	<b>Dia 160mm</b>
<b>Type</b>	<b>Bolt On</b>

Notes: Application RSM9042, RSM9042/20

**Hub Cap - Hubodometer**



<b>Part No.</b>	<b>SC2090848</b>
<b>Size</b>	<b>n/a</b>
<b>Type</b>	<b>Push On</b>

Notes: Application SKRB9019K, SKRB9019W, SKRB9022K, SKRB9022K01, SKRB9022H, SKRB9022W



# SAF Components

## Hub Cap - Hubodometer



<b>Part No.</b>	<b>SC2091887</b>
<b>Size</b>	<b>n/a</b>
<b>Type</b>	<b>Push On</b>

Notes: Application SKRB9019KI, SKRB9019WI, SKRB9022KI, SKRB9022KI01, SKRB9022WI, B922K01, BI922K01, SI919K, SI922K01, SI1122K01, ZI919K, ZI922K01, ZI1119K, ZI1122K01, Z93020, Z113020, Z93720, S93720, Z113720, S113720, S94218, Z94218

## Hubodometers



Part No.	ID Ref	Rolling Circumference
SC1875863	2410mm	2360 - 2455mm
SC1877364	2640mm	2590 - 2690mm
SC1875864	2710mm	2655 - 2765mm
SC1875865	2910mm	2850 - 2970mm
SC1875866	3040mm	2979 - 3100mm
SC1877365	3190mm	3125 - 3250mm
SC1875867	3250mm	3185 - 3315mm
SC1875868	3490mm	3420 - 3560mm

Notes:

## Hub Nut Spanner



<b>Size</b>	<b>Part No</b>
<b>86mm</b>	<b>SC1873464</b>

Notes:

## Hub Nut Spanner



<b>Size</b>	<b>Part No</b>
<b>140mm</b>	<b>SC1748095</b>

Notes:

## Hub Nut Spanner



<b>Size</b>	<b>Part No</b>
<b>85mm</b>	<b>SC1748146</b>

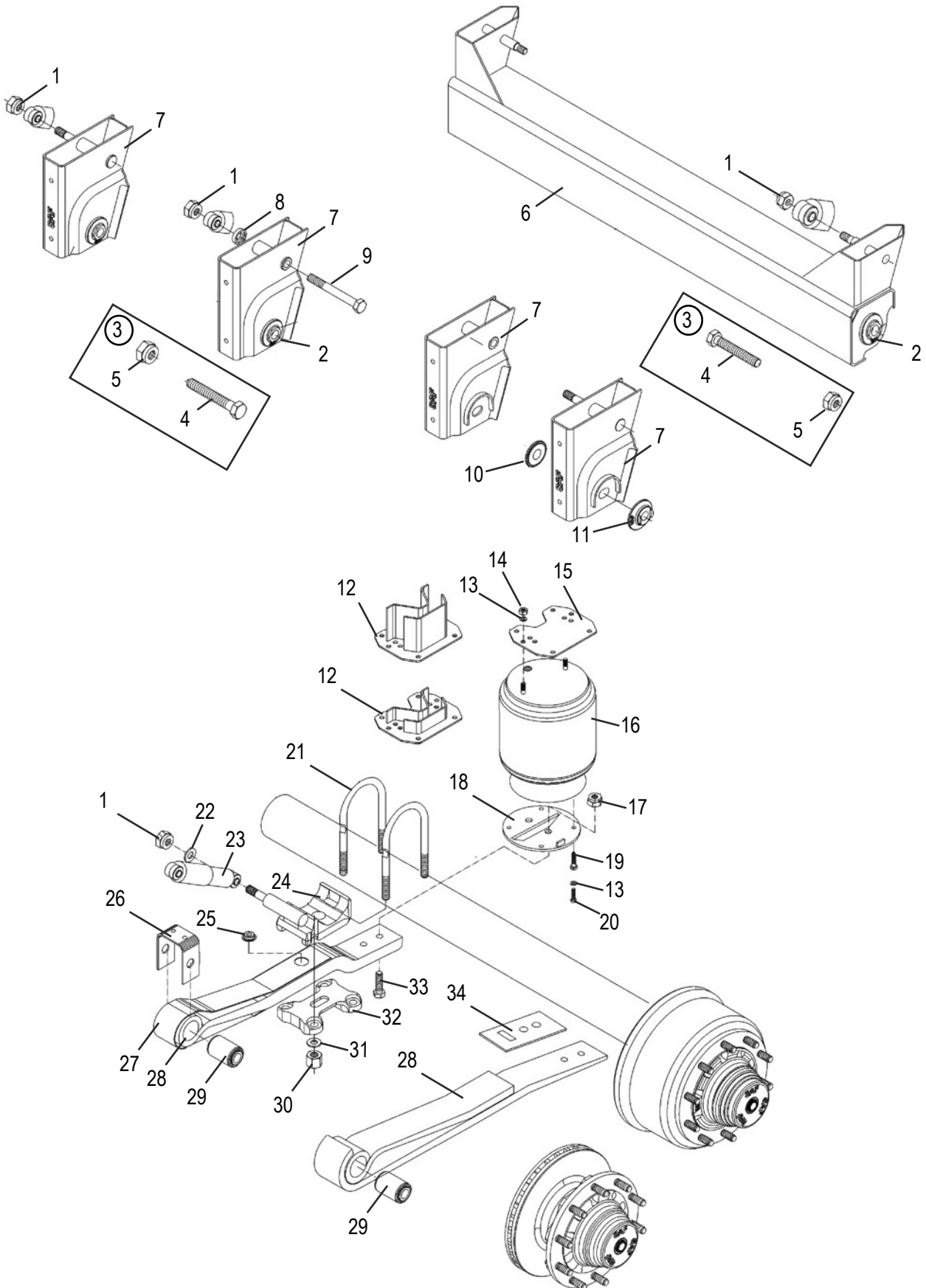
Notes:

Notes:

# SAF Components

## SAF Modular U Suspension Assembly

Notes: Suspension can be identified by the underslung spring and a push on hub cap



AXLE & SUSPENSION

# SAF Components

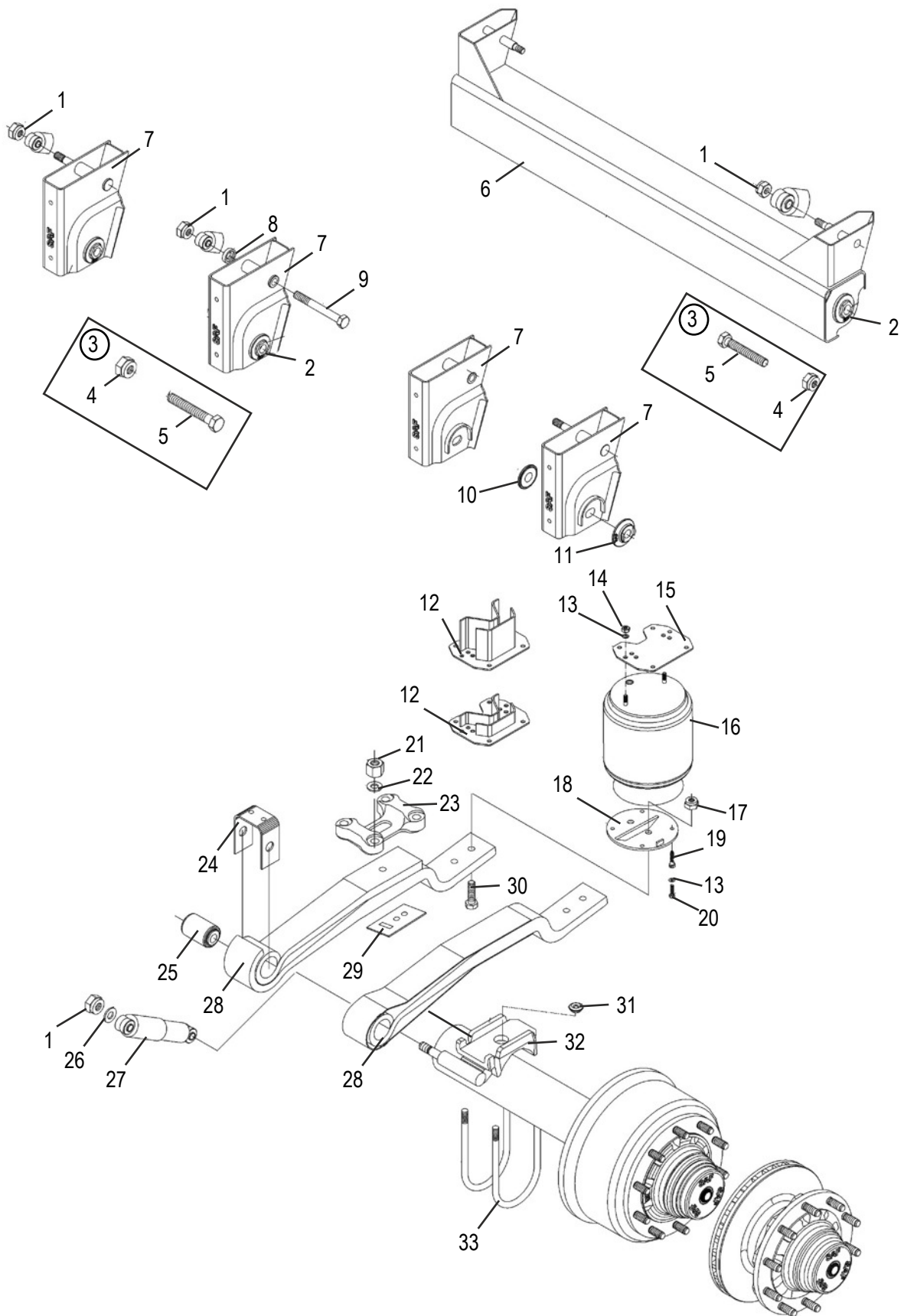
SAF Modular U Suspension Assembly		
Item	Description	Part No.
1	Lock nut M24x2	SC1723128
2	Spigot Flange	SC1877729
3	Bolt kit	SC1723144
4	• Lock nut M30	SC1874199
5	• Hex bolt M30mm x 205mm	SC1874253
5	Hex bolt M30mm x 240mm	SC1874255
6	Cross member	Contact Local Branch
7	Mounting bracket	Contact Local Branch
8	Washer	SC1875315
8	Washer for aluminium mounting brackets	SC1875314
9	Hex bolt M24 x 2mm x 225mm	SC1877081
9	Hex bolt M24 x 2mm x 250mm	SC1874260
9	Hex bolt M24 x 2mm x 300mm / ALU	SC1877080
10	Thrust washer	SC1873221
11	Flanged eccentric washer D102mm x 20mm	SC1873226
12	Top mounting brackets	Contact Local Branch
13	Spring washer A12	SC1876395
14	Hex nut M12	SC1876781
15	Air suspension plate Stahl	SC1873097
15	Air suspension plate - ALU	SC1873098
16	Air Springs	See Page 1.145
17	Lock nut M20	SC1874195
18	Mounting plates	Contact Local Branch
19	Cut screw K100mm x40mm	SC1874261
20	Hex bolt M20 x 80mm	SC1874283
20	Hex bolt M12 x 30mm	SC1877037
21	U-bolt kit	See page 1.146
22	Washer D44mm / 24mm x 4mm	SC1873359
23	Shock absorber	See Page 1.147
24	Spring seat	Contact Local Branch
25	Thrust block	SC1874135
26	U-profile	SC1875869
27	Splash plate	SC1873413
27	Splash plate	SC1873410
28	Trailing arms	See Page 1.146
29	Bush HD 68mm / 30mm x 104mm	SC1723456
30	Hex nut M 22 x 1.5mm x 25mm	SC1874234
31	Washer	SC1876084
32	Clamping plate 126mm x 169mm x 24mm	SC1876110
32	Clamping plate 126mm x 157mm x 24mm	SC1876111
33	Hex bolt M20 x 70mm	SC1877041
34	Lock plate	SC1723469

Notes:

# SAF Components

## SAF Modular M Suspension Assembly

Notes: Suspension can be identified by the overslung spring and a push on hub cap



AXLE & SUSPENSION

# SAF Components

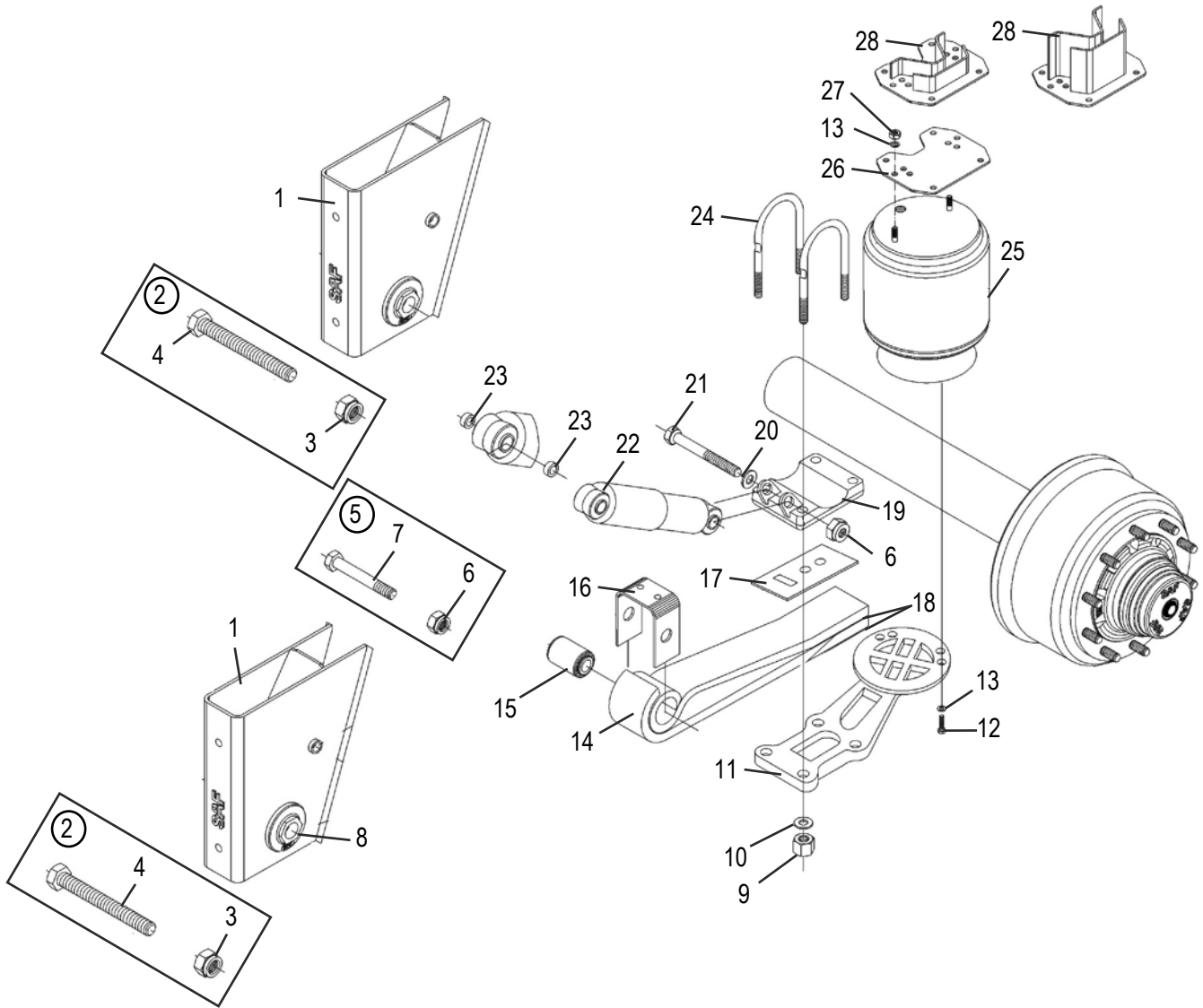
SAF Modular M Suspension Assembly		
Item	Description	Part No.
1	Lock nut M24 x 2mm	SC1723128
2	Pivot boss	SC1877729
3	Bolt kit	SC1723144
4	• Lock nut M30	SC1874199
5	• Hex bolt M30 x 205mm	SC1874253
5	Hex bolt M30 x 240mm	SC1874255
6	Cross member	Contact Local Branch
7	Mounting bracket	Contact Local Branch
8	Washer	SC1875315
8	Washer for aluminium mounting brackets	SC1875314
9	Hex bolt M24 x 2mm x 250mm	SC1874260
9	Hex bolt M24 x 2mm x 300mm / ALU	SC1877080
10	Thrust washer	SC1873221
11	Flanged eccentric washer D102mm x 20mm	SC1873226
12	Top mounting brackets	Contact Local Branch
13	Spring washer A12	SC1876395
14	Hex nut M12	SC1876781
15	Air suspension plate Stahl	SC1873097
15	Air suspension plate - ALU	SC1873098
16	Air Springs	See Page 1.145
17	Lock nut M20	SC1874195
18	Mounting plates	Contact Local Branch
19	Cut screw K100 x 40mm	SC1874261
20	Hex bolt M12 x 30mm	SC1877037
21	Hex nut M22 x 1.5 x 25mm	SC1874234
22	Washer	SC1876084
23	Clamping plate 126mm x 169mm x 24mm	SC1876110
23	Clamping plate 126mm x 157mm x 24mm	SC1876111
24	U-profile	SC1875869
25	Bush HD 68mm / 30mm x 104mm	SC1723456
26	Washer D44mm / 24mm x 4mm	SC1873359
27	Shock absorber	See Page 1.147
28	Trailing arm	See Page 1.146
29	Lock plate	SC1723469
30	Hex bolt M20 x70mm	SC1877041
30	Hex bolt M20 x 80mm	SC1874283
31	Thrust block	SC1874135
32	Spring seats	Contact Local Branch
33	U-bolt kits comes with nut & washer	See page 1.146
Notes:		

# SAF Components

## SAF AR413 Suspension Assembly

Notes: Suspension can be identified by item 13 - Air Spring Carrier

AXLE & SUSPENSION



# SAF Components

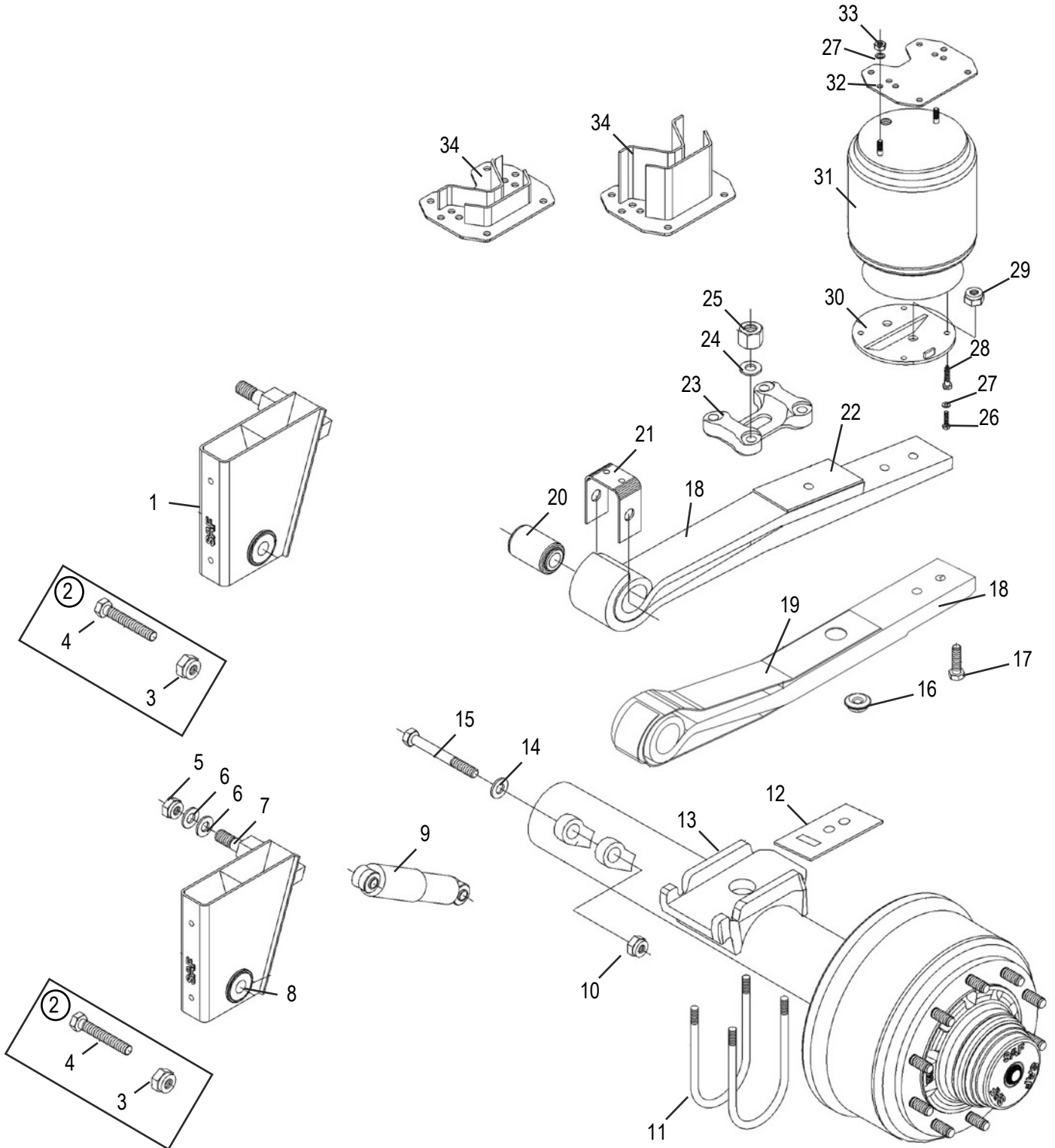
SAF AR413 Suspension Assembly		
Item	Description	Part No.
1	Hanger bracket	Contact Local Branch
2	Bolt kit	SC1723144
3	• Lock nut M30	SC1874199
4	• Hex bolt M30 x 205mm	SC1874253
5	Bolt kit	SC1723142
6	• Lock nut M20	SC1874195
7	• Hex bolt M20 x 160mm	SC1874243
8	Pivot boss	SC1877728
9	Hex nut M22 x 1.5mm x 25mm / SW32mm	SC1874234
10	Washer D40mm / 22mm x 6mm	SC1873363
11	Air bag carrier	Contact Local Branch
12	Hex bolt M12 x 30mm	SC1877037
13	Spring washer A12	SC1876395
14	Trailing arms	See Page 1.146
15	Bush HD 68mm / 30mm x 104mm	SC1723456
16	U shaped plate profile	SC1875869
17	Lock plate	SC1723469
18	Plate	SC1873311
19	Spring seats	Contact Local Branch
20	circlip	SC1876518
21	Bolt kit with items 20 & 6	SC1723143
21	Hex bolt M20 x 110mm	SC1874245
22	Shock absorber	See Page 1.147
23	Bush	SC1875205
24	U-bolt kits	See Page 1.146
25	Air Springs	See Page 1.145
26	Air suspension plate steel	SC1873097
27	Hex nut M12	SC1876781
28	Top mounting brackets	Contact Local Branch
Notes:		

# SAF Components

## SAF AR414 Suspension Assembly

Notes: Suspension can be identified by the overslung spring and a Screw / Bolt on hub cap

AXLE & SUSPENSION





# SAF Components

SAF AR414 Suspension Assembly		
Item	Description	Part No.
1	Front hanger brackets	Contact Local Branch
2	Bolt kit	SC1723144
3	• Lock nut M30	SC1874199
4	• Hex bolt M30 x 200mm	SC1874253
5	Lock nut M24 x 2mm	SC1723128
6	Washer D44mm / 24mm x 4mm	SC1873359
7	Anchor pin	SC1877739
8	Pivot boss	SC1877728
9	Shock absorbers	See Page 1.147
10	Hex nut M24 x 2mm	SC1876798
11	U-bolt kits	See Page 1.146
12	Lock plate	SC1723469
13	Spring seats	Contact Local Branch
14	Circlip	SC1874293
15	Hex bolt M24 x 2 x 100mm	SC1874258
16	Stopper / Mushroom	SC1874135
17	Hex bolt M20 x 70mm	SC1877041
18	Trailing arms	See Page 1.146
19	Locking Plate	SC1873412
20	Bush HD 68mm / 30mm x 104mm	SC1723456
21	U shaped plate profile	SC1875869
22	Plate	SC1876021
23	Clamping plate 126mm x 169mm x 24mm	SC1876110
23	Clamping plate 126mm x 157mm x 24mm	SC1876111
24	Washer D40mm / 22mm x 6mm	SC1873363
25	Hex nut M22 x 1.5mm x 25mm	SC1874234
26	Screw	SC1877037
27	Spring washer A12	SC1876395
28	Cut screw K100mm x 40mm	SC1874261
29	Lock nut M20	SC1874195
30	Mounting plates	Contact Local Branch
31	Air Springs	See Page 1.145
32	Air suspension plate Steel	SC1873097
33	Hex nut M12	SC1876781
34	Top mountings	Contact Local Branch

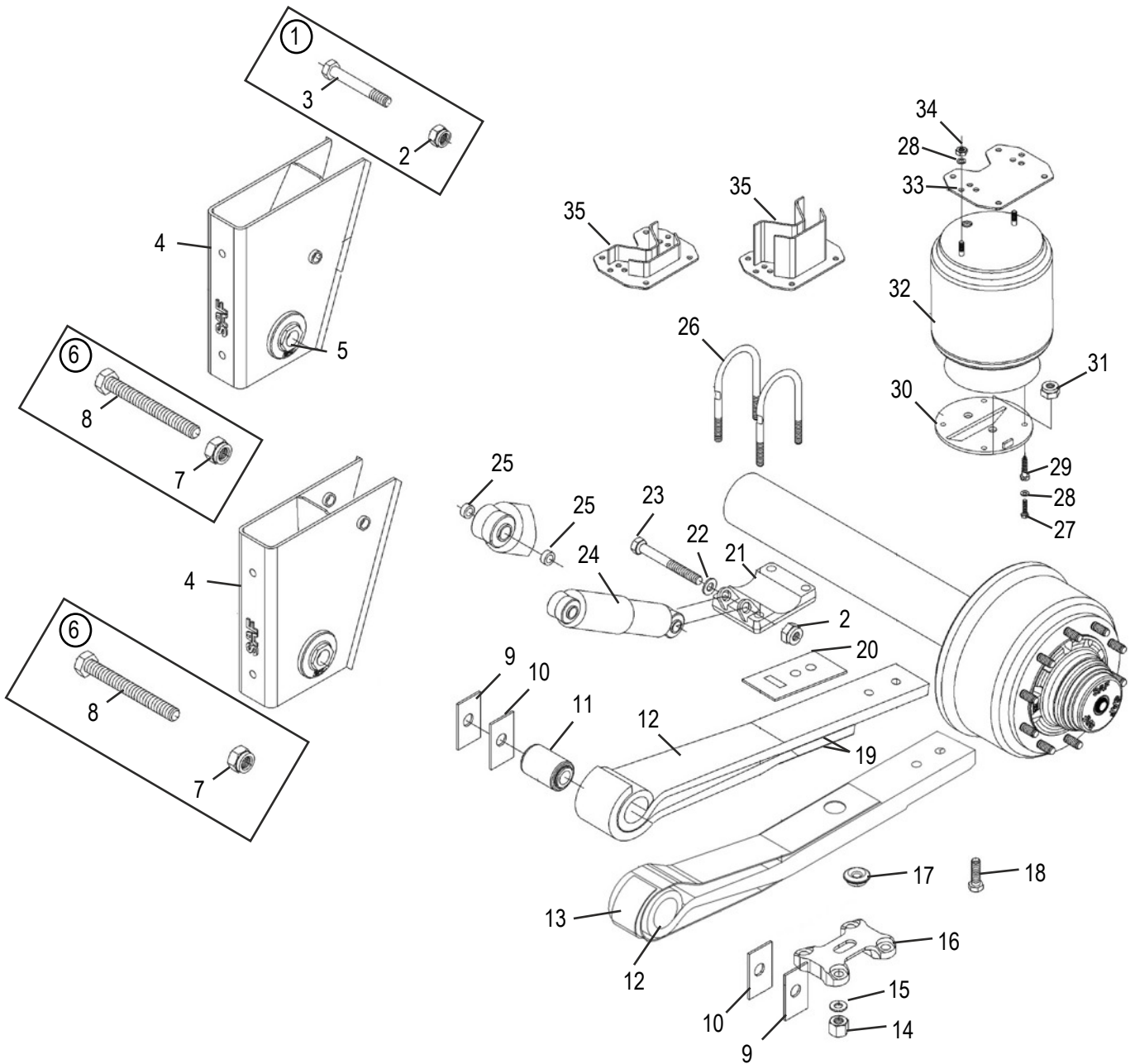
Notes:

# SAF Components

## SAF AR416 Suspension Assembly

Notes: Suspension can be identified by the underslung spring and a Screw / Bolt on hub cap

AXLE & SUSPENSION



# SAF Components

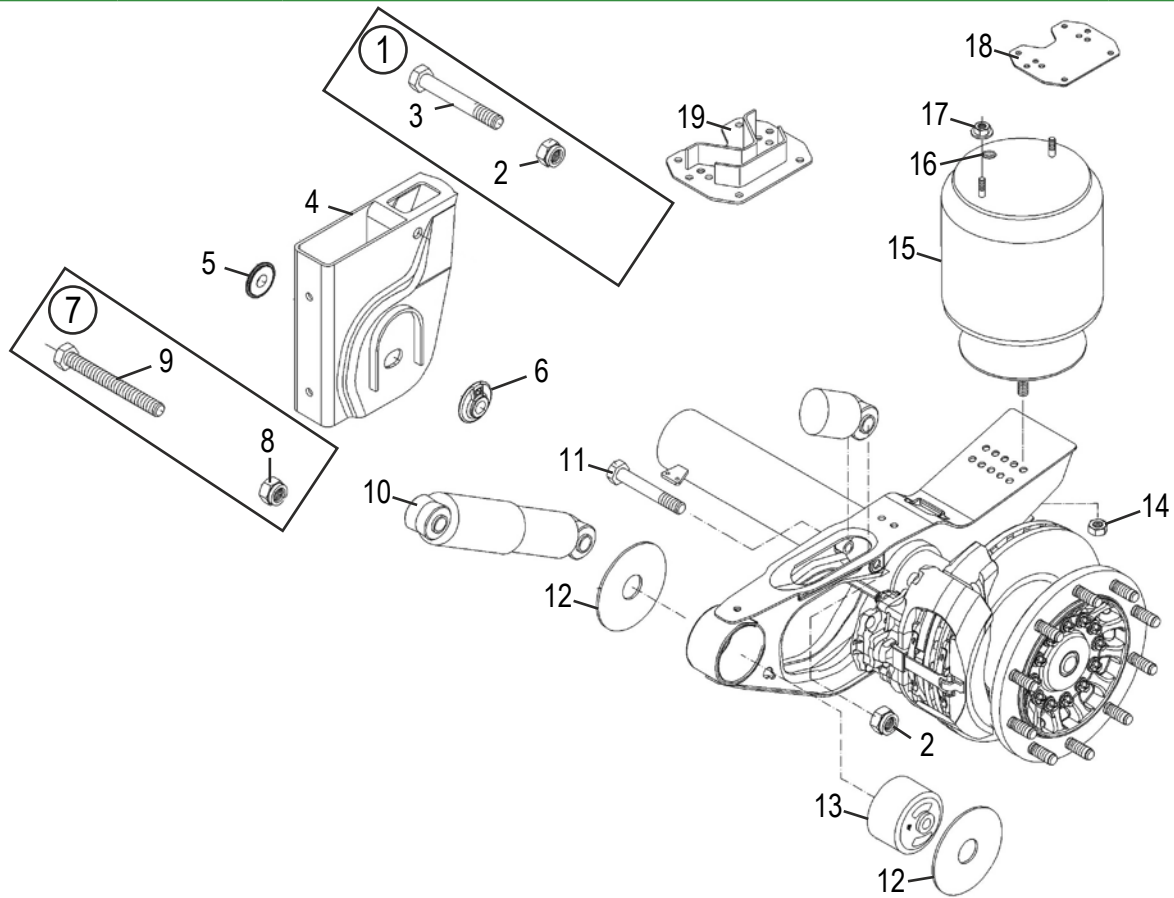
SAF AR416 Suspension Assembly		
Item	Description	Part No.
1	Bolt kit	SC1723142
2	● Lock nut M20	SC1874195
3	● Bolt	NSS
4	Hanger brackets	Contact Local Branch
5	Pivot boss	SC1877728
6	Bolt kit	SC1723144
7	● Lock nut M30	SC1874199
8	● Hex bolt M30 x 200mm	SC1874253
9	Spacer	SC1723491
10	Thrust plate	SC1723497
11	Bush HD 68mm / 30mm x 104mm	SC1723456
12	Trailing arms	See Page 1.146
13	Splash Plate	SC1873410
14	Hex nut M22 x 1.5mm x 25mm / SW32mm	SC1874234
15	Washer D40mm / 22mm x 6mm	SC1873363
16	Clamping plate 146mm	SC1876110
16	Clamping plate 1127mm / 133mm	SC1876111
17	Thrust Block (Mushroom To Be Used With Single Leafs)	SC1874135
18	Bolt	SC1877041
19	Plate	SC1876021
20	Lock plate	SC1723469
21	Spring seats	Contact Local Branch
22	Circlip	SC1876518
23	Hex bolt M20 x 110mm	SC1874245
24	Shock absorber	See Page 1.147
25	Bush	SC1875205
26	U-bolt kits	See Page 1.146
27	Cut screw K100mm x 40mm	SC1874261
28	Spring washer A12	SC1876395
29	Hex bolt M12 x 30mm	SC1877037
30	Mounting plates	Contact Local Branch
31	Nut	SC1874195
32	Air Springs	See Page 1.145
33	Air suspension plate steel	SC1873097
34	Hex nut M12	SC1876781
35	Top mounting brackets	Contact Local Branch

Notes:

# SAF Components

## SAF Intradisc Plus IU & IO Suspension Assembly

Notes: Suspension can be identified by item 10 - Shock Absorber mounted inside the road spring



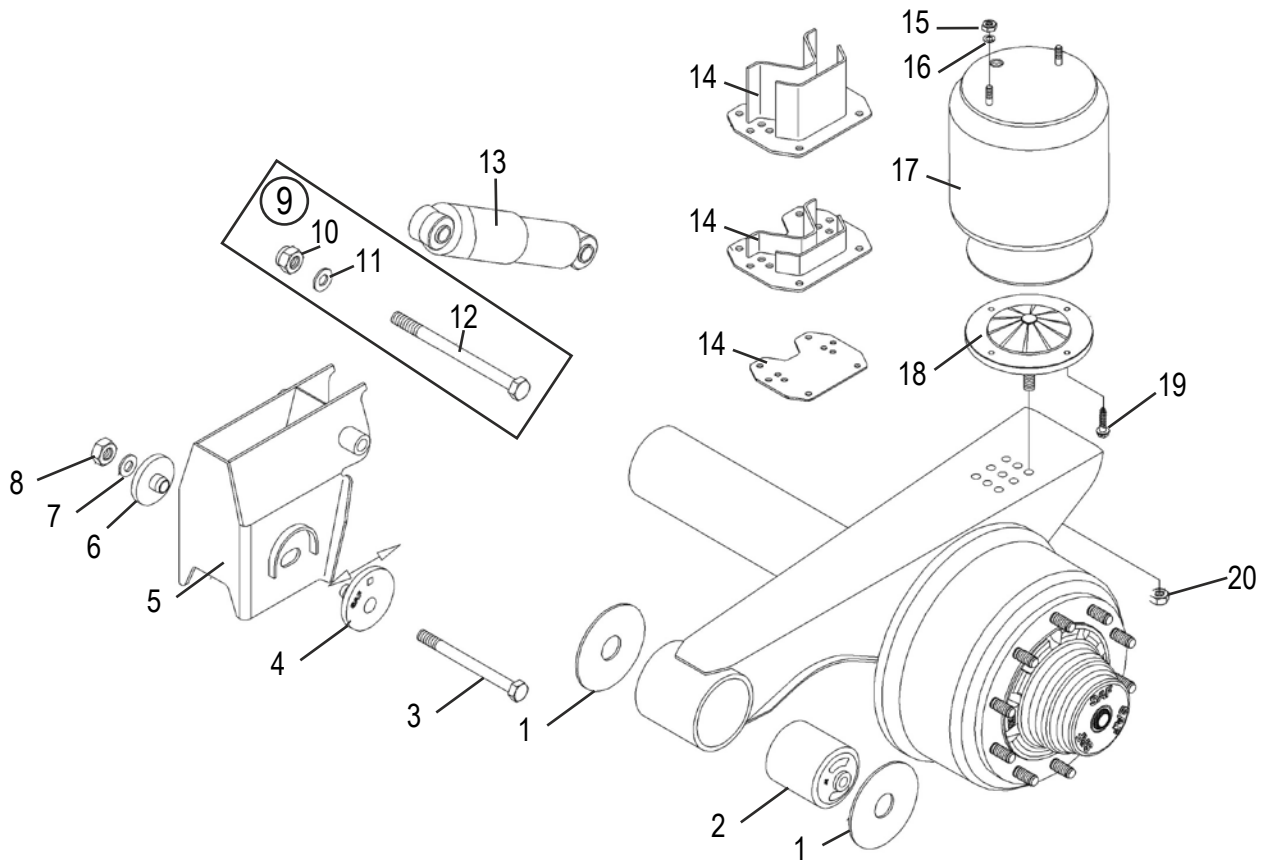
Item	Description	Part No.
1	Bolt kit M20 x 1.5mm x 120mm	SC1748187
2	● Lock nut M20 x 1.5mm	SC1874201
3	● NSS	SC1748187
4	Mounting brackets	Contact Local Branch
5	Washer	SC1873221
6	Flanged eccentric washer D102mm x 20mm	SC1873226
7	Hex bolt Kit M30 x 200mm	SC1723144
8	● Lock nut M30	SC1874199
9	● Bolt M30 x 205mm	SC1874253
10	Shock absorber	See Page 1.147
11	Screw Assembly	SC1748186
12	Thrust plate	SC1874217
13	Rubber bush 3D	SC1748138
14	Lock nut M16	SC1874192
15	Air Springs	See Page 1.145
16	Spring washer A12	SC1876395
17	Hex nut M12	SC1876781
18	Air suspension plate - steel	SC1873097
18	Air suspension plate - Aluminium	SC1873098
19	Top mountings	Contact Local Branch

Notes:

# SAF Components

## SAF Intraxx XU & XO Suspension Assembly

Notes: Suspension can be identified by the road spring



Item	Description	Part No.
1	Thrust plate	SC1874217
2	Rubber bush 3D INTRAAX	SC1748137
3	Hex bolt M22 x 1.5mm x 250mm	SC1874263
4	Flanged eccentric washer	SC1874019
5	Front hanger brackets	Contact Local Branch
6	Washer	SC1874018
7	Washer D44mm / 23mm x 4mm	SC1873364
8	Hex nut M22 x 1.5mm x 25mm	SC1874234
9	Bolt kit	SC1873909
10	● Lock nut M24 x 2mm	SC1723128
11	● Washer D44mm / 24mm x 4mm	SC1873359
12	● Hex bolt M24 x 2mm x 310mm	SC1874265
13	Shock absorber	See Page 1.147
14	Air suspension plate Steel	SC1873097
14	Air suspension plate Aluminium	SC1873098
14	Top mounting brackets	Contact Local Branch
15	Hex nut M12	SC1876781
16	Spring washer A12	SC1876395
17	Air Springs	See Page 1.145
18	Mounting plates	Contact Local Branch
19	Cut screw K100mm x 40mm	SC1874261
19	Hex Bolt M12 x 30mm	SC1874282
20	Lock nut M16	SC1874192

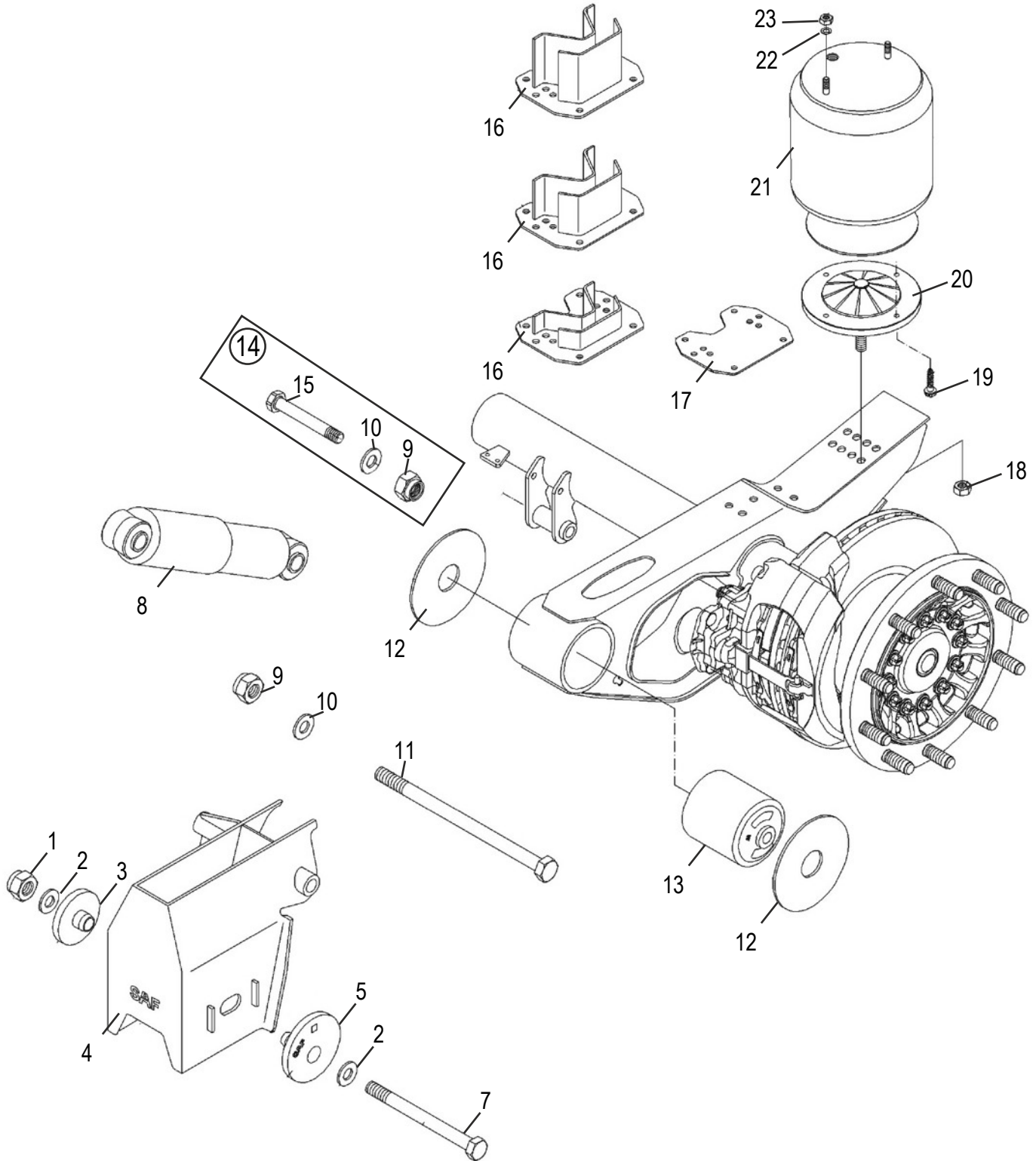
Notes:

# SAF Components

## SAF Intradisc PO & PU Suspension Assembly

Notes: Suspension can be identified by the road spring with the shock absorber bolted to the axle beam

AXLE & SUSPENSION






# SAF Components





SAF Intradisc PO & PU Suspension Assembly		
Item	Description	Part No.
1	Hex nut M22 x 1.5mm x 25mm	SC1874234
2	Washer D44mm / 23mm x 4mm	SC1873364
3	Washer	SC1874018
4	front hangar brackets	Contact Local Branch
5	Flanged eccentric washer	SC1874019
7	Hex bolt M22 x 1.5 x 250mm	SC1874263
8	Shock absorber	See Page 1.147
9	● Lock nut M24 x 2mm	SC1723128
10	● Washer D44mm / 24mm x 4mm	SC1873359
11	Hex bolt M24 x 2mm x 320mm	SC1874264
11	Hex bolt M24 x 2mm x 360mm	SC1874280
12	Thrust plate	SC1874217
13	Rubber bush 3D INTRAAX	SC1748137
14	Bolt kit M24 x 2mm x 180mm	SC1873910
15	● Hex bolt M24 x 2mm x 180mm	SC1874267
16	Top mounting bracket Heights	Contact Local Branch
17	Air suspension plate steel	SC1873097
17	Air suspension plate - Aluminium	SC1873098
18	Lock nut M16	SC1874192
18	Hex nut M16	SC1876788
19	Cut screw K100mm x 40mm	SC1874261
19	Hex bolt M12 x 30mm For SAF 2918V, 2923V, 2926V	SC1874282
20	Mounting plates for air-bellow	Contact Local Branch
22	Air Springs	See Page 1.145
22	Spring washer A12	SC1876395
23	Hex nut M12	SC1876781

Notes:

# SAF Components

## SAF Air Spring ID Chart

Bellow Details	Plastic Base Plate	Metal Base Plate
 <p>SAF bellows can show up to four different types of information, with the difference being the base plate</p>	 <p><b>H=150</b></p> <p>Plastic base plates have the height imprinted on the side as shown</p>	 <p>Metal base plates have to be measured to establish height</p>

Base Plate 1	Base Plate 2	Base Plate 3	Base Plate 4
			

Type	Base Dia	Base Height	OEM Reference	Part No.	Base Plate
2919V	260mm	140mm	3229004200	SC2090741	
2922V250	260mm	180mm	3229003600	SC1873858	1
2918V	260mm	140mm	3229002700	SC1723275	1
2619V	240mm	150mm	3229003300	SC1723281	4
2621V	240mm	170mm	3229003800	SC1873859	4
2626V	240mm	220mm	3229003900	SC1723272	4
2618V	240mm	140mm	3229002900	SC1723277	3
2924V	260mm	180mm	3229004100	SC1873863	2
2923VK	260mm	180mm	3229002800	SC1723276	
2923V	260mm	180mm	3229003100	SC1723280	1
2926V		150mm	3229003000	SC1723279	1
2618		140mm	3229000702	SC1723273	3

Notes:



# SAF Components

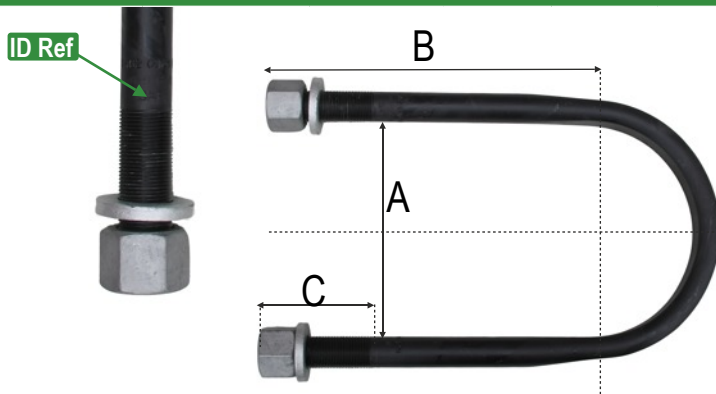
## Trailing Arms



ID Ref	Part No.
100602 or 0602	SC1723343
100802 or 0802	SC1723344
102502 or 2502	SC1723345
102701 or 2701	SC1723346
102902 or 2902	SC1748172
103501 or 3501	SC1723347
103602 or 3602	SC1748174
104401 or 4401	SC1748177
104600 or 4600	SC1723348
104800 or 4800	SC1723349

Notes: Bush to suit all trailing arms part no. SC1723456

## U Bolt Kits Complete with Nuts & Washers

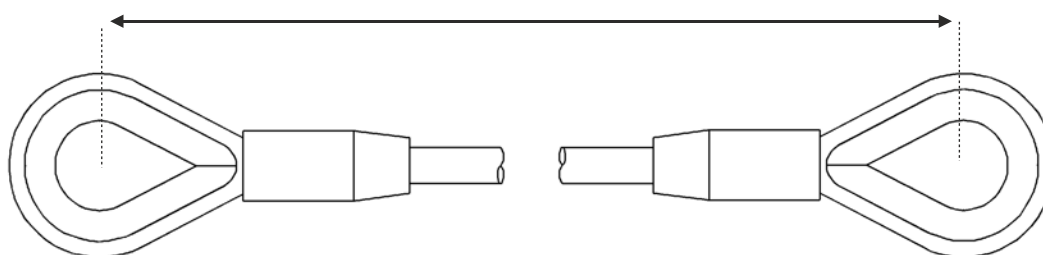


ID Ref	Part No.	Thread	Size A	Size B	Size C
1402006401	SC1748188	M22 x 1.5	147mm	212mm	60mm
1402006501	SC1723364	M22 x 1.5	147mm	248mm	60mm
1402006801	SC1877454	M22 x 1.5	134mm	201mm	60mm
1402006901	SC1723365	M22 x 1.5	134mm	240mm	60mm
1402007101	SC1873933	M22 x 1.5	134mm	203mm	60mm
1402007201	SC1723366	M22 x 1.5	134mm	240mm	60mm
1402007701	SC1877458	M22 x 1.5	147mm	229mm	60mm

Notes: Other types & Lengths of U bolts available, ones listed above are the most common

AXLE & SUSPENSION

## Catch Straps



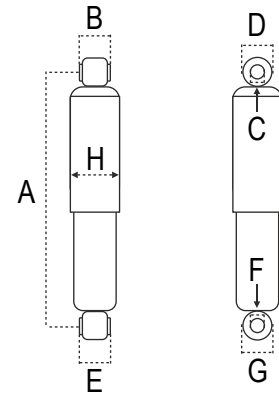
Length	Part No.
665mm	SC1875448
1000mm	SC1875451
1100mm	SC1875447
1200mm	SC1875449
1300mm	SC1875446
1600mm	SC1875450

# SAF Components

## Shock Absorbers

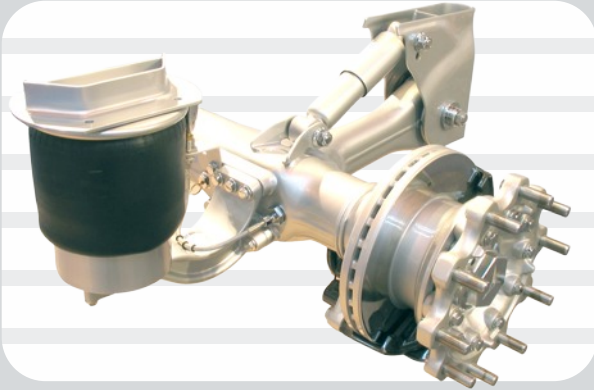


Part number is stamped the end of the shocker as shown

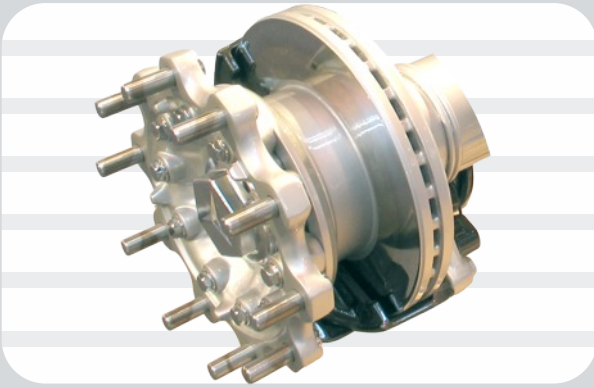


Part No.	Part No.	A Closed (mm)	A Open (mm)	B (mm)	C (mm)	D (mm)	E (mm)	F (mm)	G (mm)	H (mm)
2376000200	SC1723216	380	635	44.5	19.1	45	44.5	19.1	45	60
2376000302	SC1723217	383	620	44.5	20	48	44.5	20	48	64
2376000900	SC1873766	333	513	50	20	48	44	19.6	48	64
2376001001	SC1723219	315	475	62	20	58	62	20	58	82
2376001002	SC1723220	314	474	62	20	57	62	20	57	75
2376001400	SC1877480	315	475	62	20	58	62	20	58	82
2376001600	SC1873767	433	718	44.5	20	48	44	19.6	48	64
2376002000	SC1873768	360	560	62	20	58	62	20	58	82
2376002600	SC1723221	325	495	55	24	58	55	24	58	82
2376002700	SC1723222	292	432	55	24	58	55	24	58	82
2376002800	SC1877481	325	495	55	24	58	55	24	58	82
2376002900	SC1877482	315	475	62	20	58	62	20	58	82
2376003000	SC1723223	315	475	55	24	58	55	24	58	82
2376003100	SC1723224	350	540	55	24	58	55	24	58	82
2376003200	SC1748104	426	696	55	24	58	55	24	58	82
2376003300	SC1873770	300	415	55	24	58	55	24	58	82
2376003400	SC1873771	275	395	55	24	58	55	24	58	82
2376003500	SC1873780	303	450	55	24	58	55	24	58	82
2376003900	SC1873782	312	460	55	24	58	55	24	58	82
2376007001	SC1723225	278	413	78	20	54	68	20	54	74
2376007101	SC1723226	315	491	78	20	54	68	20	54	74
2376007201	SC1723227	335	532	78	20	54	68	20	54	74
2376403200	SC1873784	426	696	55	24	58	55	24	58	82

Notes:



Daimler has been developing and producing solutions for goods and passenger transport for more than 150 years. The plant, which specialises in the manufacture of commercial-vehicle axles, has produced more than 15 million axles to date. As well as being Europe's largest production plant for commercial-vehicle axles, it is the world centre of competence for commercial vehicle disc brakes. Daimler Trailer Axle Systems has revolutionised the trailer-axle market with its developments in recent years. And will continue to develop outstanding products, market-oriented applications and cost-effective solutions. Because we understand our customers and their needs.

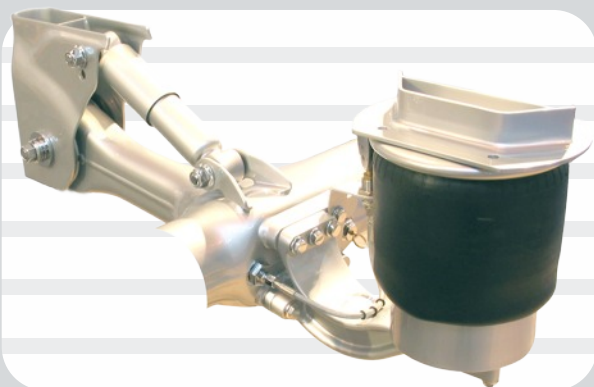


## **DCA WEIGHTMASTER**

The lightweight trailer axle sets new standards in terms of transport economy and efficiency. The low weight increases trailer payload and offers haulage companies significant benefits.

## **DCA MEGAMASTER**

The trailer axle for greater cargo volume – ideal for High volume haulage applications. The axle combines low ride heights with a long axle travel and is perfect for mega-trailers.



## **DCA AIRMASTER**

The world's first and only trailer axle that stores Compressed air for the air suspension and brakes in its housing, thus reducing weight substantially and allowing entirely new vehicle concepts. Tested and approved for all European markets.

# Daimler Axle Plates

All axles listed in this catalogue are rigid with Knorr Bremse brake calipers  
 For other other Axle & Suspensions contact  
 your local branch with information from the axle code.


AXLE & SUSPENSION

Axle Code	Axle Type / Hub Type
TZ	Rigid Axle / Standard Hub
TE	Rigid Axle / Offset Hub
TL	Steering Axle / Offset Hub
Notes:	

Axle Code	Tyre Size
3	19.5"
4	19.5" / 22.5"
5	22.5"
Notes:	

Axle Code	Axle Type
8	DCA Version
Notes:	

Axle Code	Caliper Type
N	Knorr SN
K	Knorr SK
Notes:	



**Daimler Chrysler AG**

Type	<b>TE 5 / 8 N C7 - 9</b>	
Serial No.	<b>H177208</b>	Type Des. <b>749334</b>
Var.	<b>036018010</b>	TDB <b>0571</b>
Axle Load	<b>9.000</b> kg stat. perm.	V Max. <b>105</b> km/h

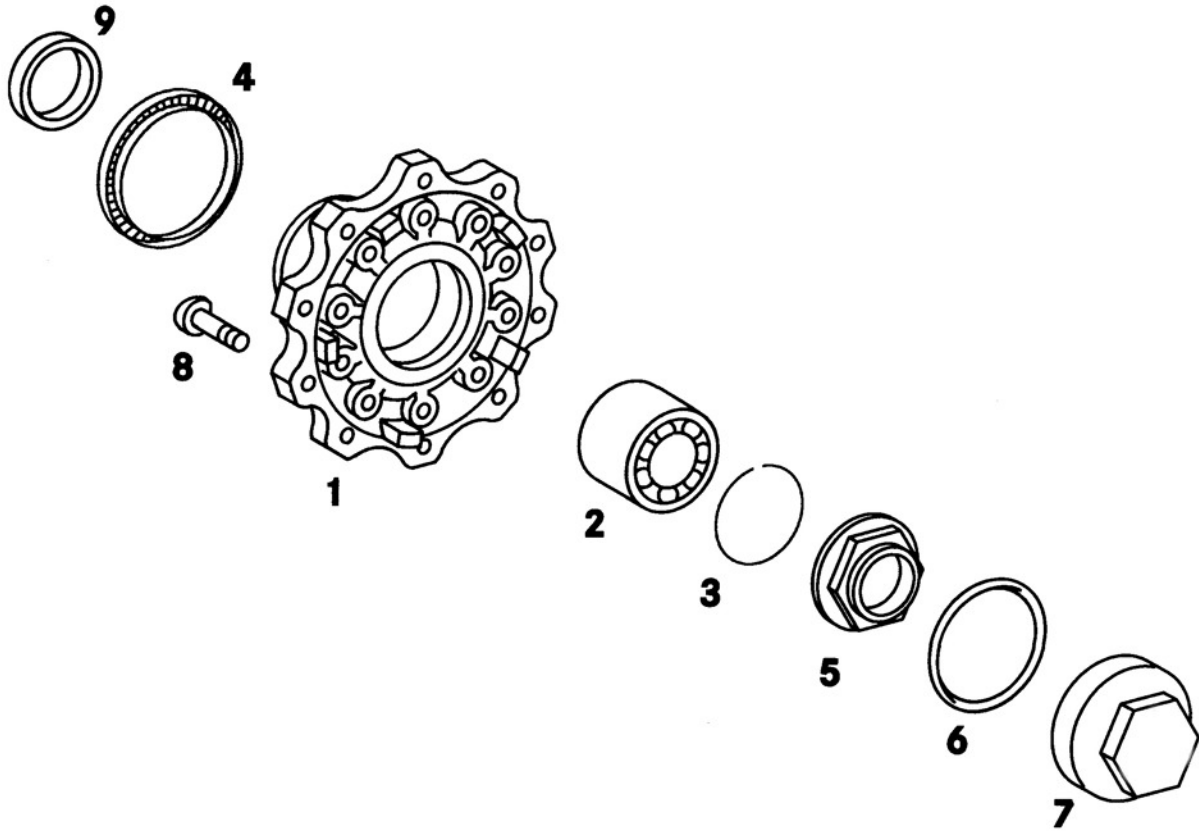
Axle Code	Description
H177208	Serial No.
Notes:	

Axle Code	Caliper Type
C6	19.5" Disc Brake
C7	22.5" Disc Brake
Notes:	

Axle Code	Caliper Type
TDB0637	Knorr SN6
TDB0571	Knorr SN7
TDB0815	Knorr SK7
Notes:	

Axle Code	Axle Load
9	9 Ton
Notes:	

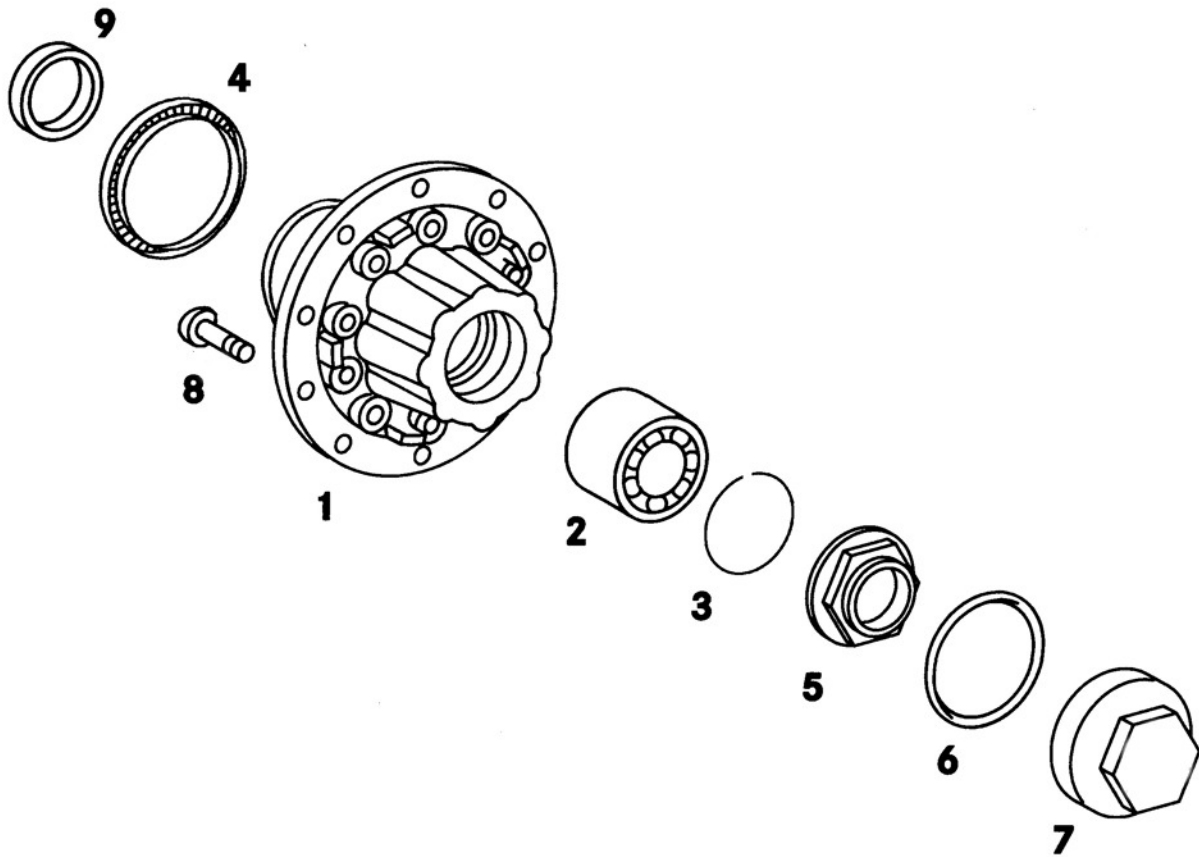
## Hub Assembly Parts (Offset Hub TE)



Item	Description	Part No
1	Wheel Hub C/W Items 2, 3, 6, 9	ST10074938
2	Compact Bearing	Only Available with Hub Assy
3	Retaining Clip	Only Available with Hub Assy
4	Pole Wheel - 90 teeth	ST10071870
5	Hex Collar Nut R/H with R/H Thread	ST10074738
5	Hex Collar Nut L/H with L/H Thread	ST10071871
6	O-Ring	ST10071876
7	Hub Cap	ST10074749
8	Wheel Bolt M22 x 1.5mm x 80mm	ST10071872
9	O Ring	ST10071812
10	Wheel Nut (not illustrated)	ST10074753

Notes:

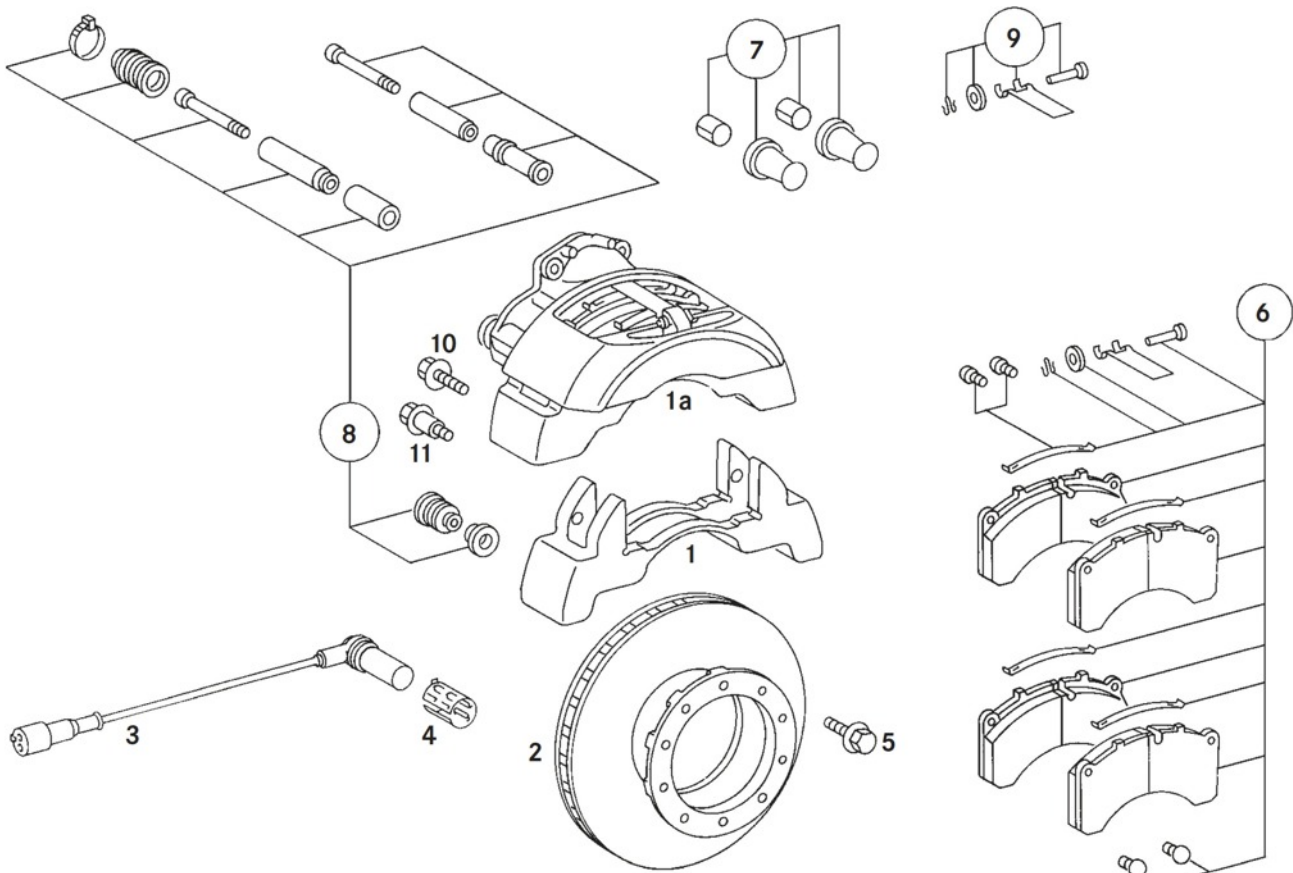
## Hub Assembly Parts (Standard Hub TZ)



Item	Description	Part No
1	Wheel Hub C/W Items 2, 3, 6, 9	ST10074750
2	Compact Bearing	Only Available with Hub Assy
3	Retaining Clip	
4	Pole Wheel - 90 teeth	ST10071870
5	Hex Collar Nut R/H with R/H Thread	ST10074738
5	Hex Collar Nut L/H with L/H Thread	ST10071871
6	O-Ring	ST10071876
7	Hub Cap	ST10074749
8	Wheel Bolt M22 x 1.5mm x 80mm	ST10071872
9	O Ring	ST10071812
10	Wheel Nut (not illustrated)	ST10074753

Notes:

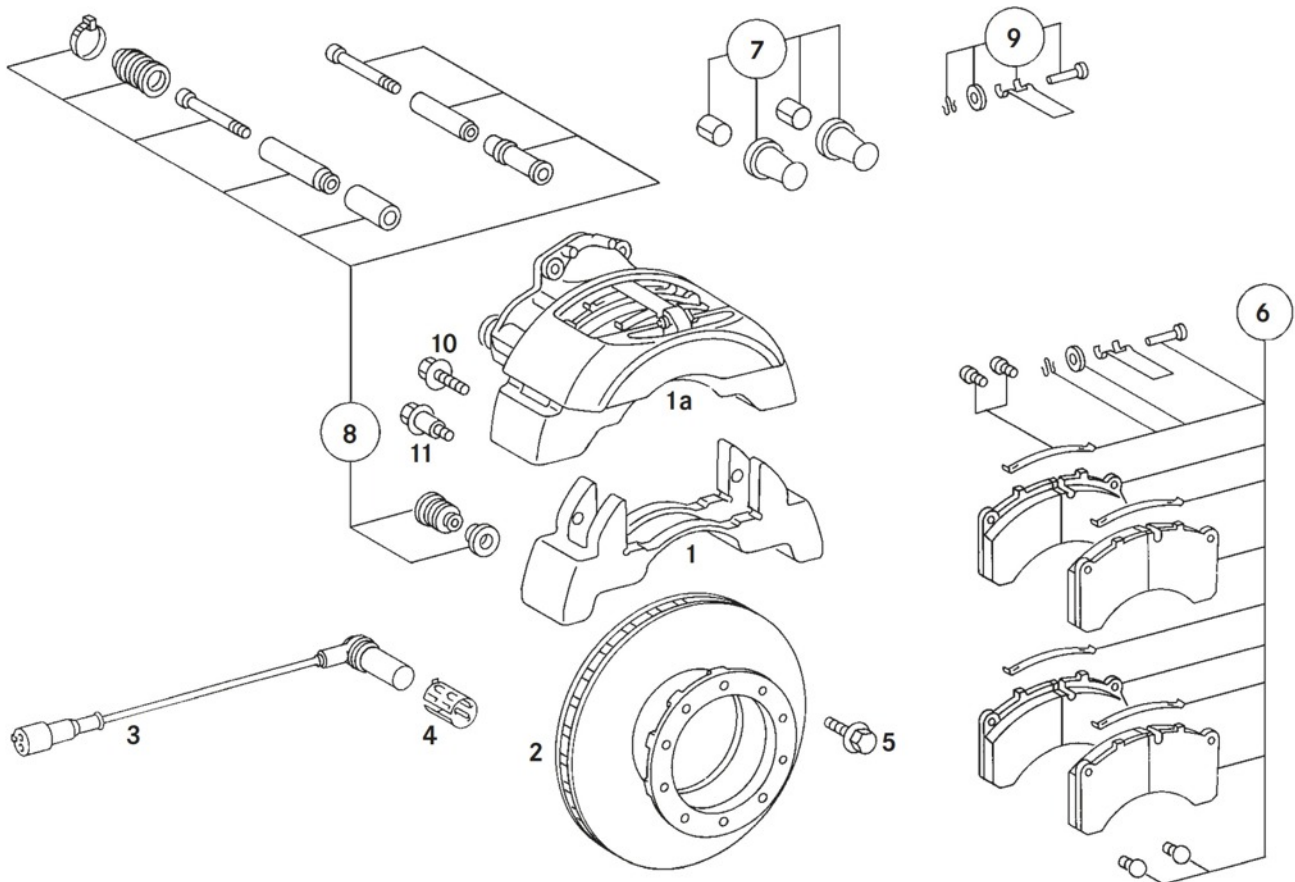
## Brake Assembly Parts (Knorr Bremse SN7 - 22.5") TDB0571



Item	Description	Part No
1	Brake Carrier - Most Popular	ST10077218
1a	Brake Caliper Left Hand - Rationalised Version	ST10071262
1a	Brake Caliper Right Hand - Rationalised Version	ST10071261
2	Brake disc	ST10072419
3	ABS sensor	ST10074185
4	Bushing for sensor	ST10079605
5	Hex. bolt M14 x 1.5mm x 45mm	ST10079606
5	Hex. bolt M14 x 1.5mm x 75mm	ST10079607
6	Brake lining set (for one axle)	ST10078318
7	Tappet & Boot set (for pistons)	ST10079608
8	Slide pin kit and guide pin	ST10079609
9	Lining bracket set	ST10079610
10	Bolt M16 x 1.5mm x 60mm	ST10079611
11	Shoulder bolt	ST10079612
	Lining wear sensor kit (not illustrated)	ST10079613

Notes:

## Brake Assembly Parts (Knorr Bremse SN6 - 19.5") TDB0637



AXLE & SUSPENSION

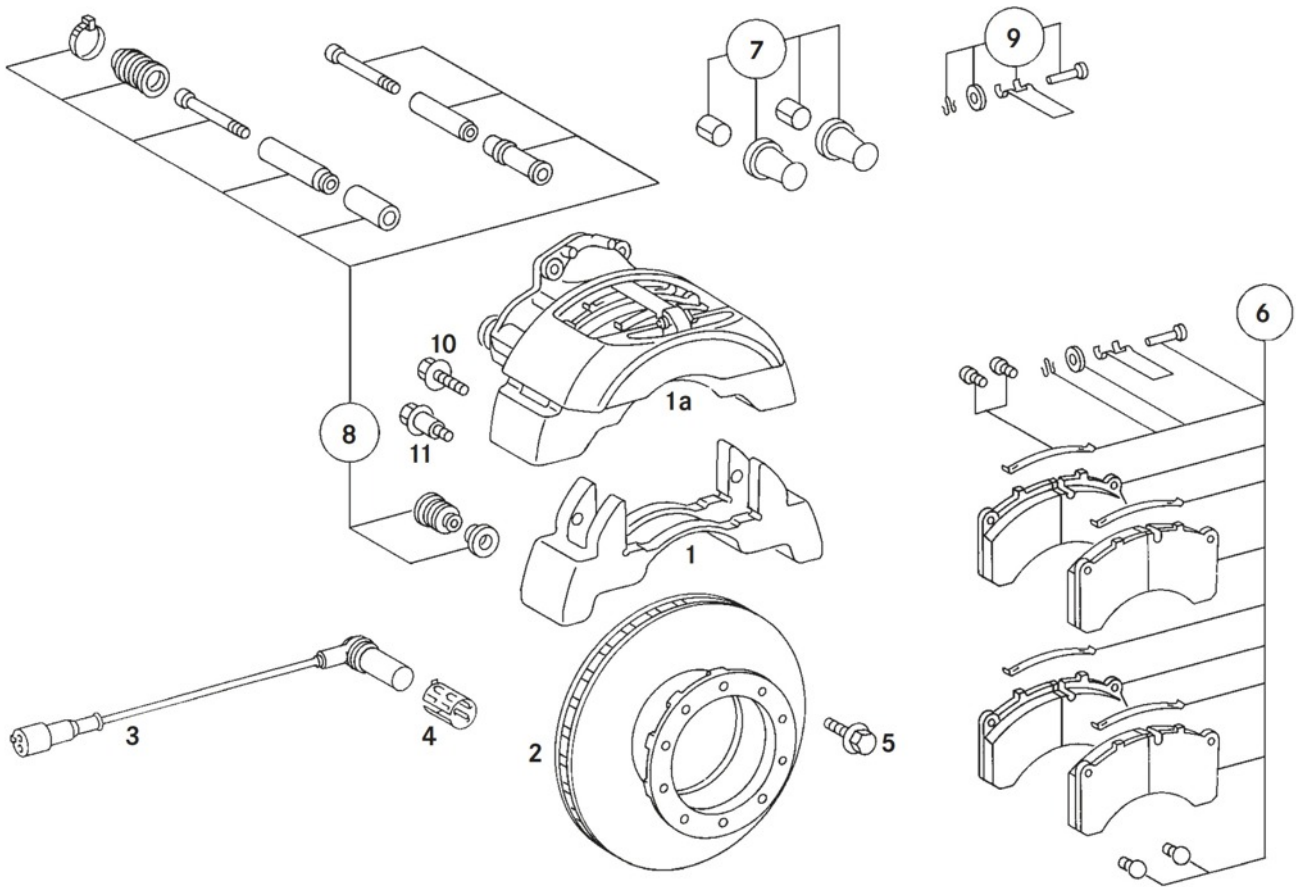
Item	Description	Part No
1	Brake Carrier - Most Popular	ST10079746
1a	Brake Caliper Left Hand - Rationalised Version	ST10073959
1a	Brake Caliper Right Hand - Rationalised Version	ST10073936
2	Brake disc	ST10079614
3	ABS sensor	ST10074185
4	Bushing for sensor	ST10079605
5	Hex. bolt M14 x 1.5mm x 45mm	ST10079606
5	Hex. bolt M14 x 1.5mm x 70mm	ST10079615
6	Brake lining set (for one axle)	ST10074253
7	Tappet & Boot set (for pistons)	ST10079608
8	Slide pin kit and guide pin	ST10079609
9	Lining bracket set	ST10079616
10	Bolt M16 x 1.5mm x 60mm	ST10079611
11	Shoulder bolt	ST10079612
	Lining wear sensor kit (not illustrated)	ST10079613

Notes:



# Daimler Components

## Brake Assembly Parts (Knorr Bremse SK7 - 22.5") TDB0815



Item	Description	Part No
1	Brake Carrier - Most Popular	ST10079747
1a	Brake Caliper Left Hand - Rationalised Version	ST10074915
1a	Brake Caliper Right Hand - Rationalised Version	ST10077233
2	Brake disc	ST10072419
3	ABS sensor	ST10074185
4	Bushing for sensor	ST10079605
5	Hex. bolt M14 x 1.5mm x 45mm	ST10079606
5	Hex. bolt M14 x 1.5mm x 75mm	ST10079607
6	Brake lining set (for one axle)	ST10074391
7	Tappet & Boot set (for pistons)	ST10079617
8	Slide pin kit and guide pin	ST10079618
9	Lining bracket set	ST10079616
10	Bolt M16 x 1.5mm x 60mm	ST10079611
11	Shoulder bolt	ST10079612
	Lining wear sensor kit (not illustrated)	ST10079613

Notes:

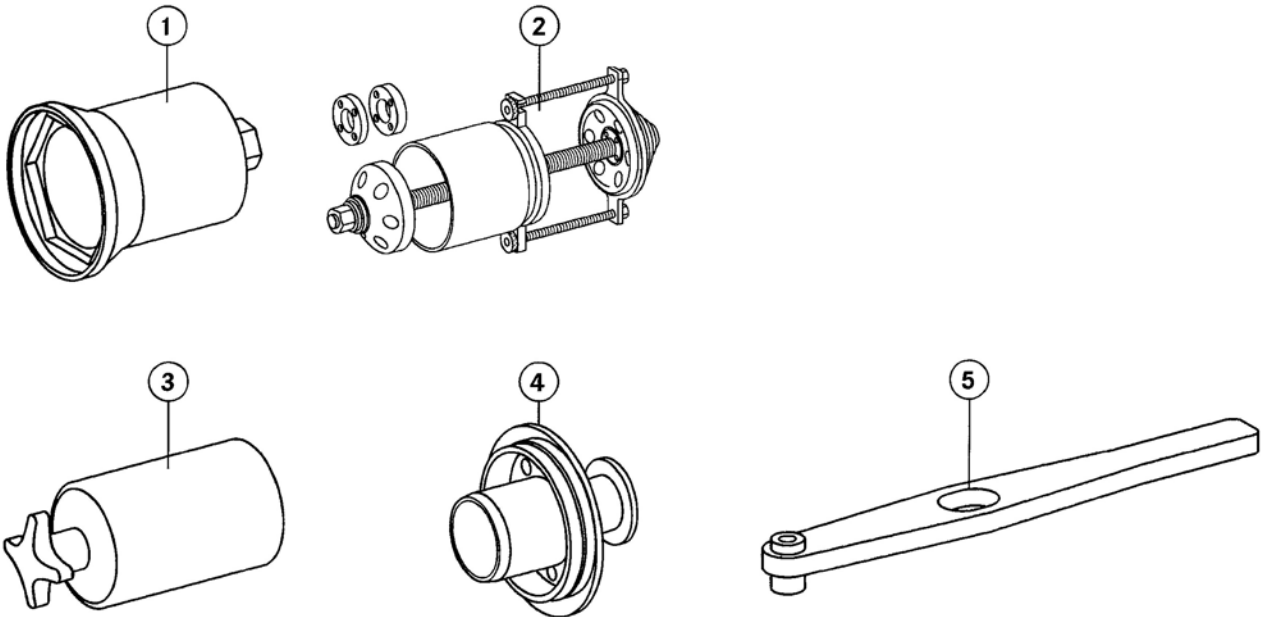
## Brake Chambers



Type	Part No.	Part No.	Stroke	Manufacture	Hand
16/16	A0174208818	SC2090333	57mm	Wabco	Left
16/16	A0174208918	SC2090334	57mm	Wabco	Right
16	A0064205224	SC1932621	57mm	Wabco	
16/24	A0184205218	SC2090337	57mm	Wabco	Left
16/24	A0184205318	SC2090336	57mm	Wabco	Right
20	A0074201224	SC1932639	62mm	Wabco	
20/24	A0184205518	SC1935449	64mm	Wabco	Left
20/24	A0184205618	SC1935450	64mm	Wabco	Right
22	A0074201324	SC1932635	62mm	Wabco	
24	A0074201424	SC1932640	62mm	Wabco	
16	A0084208524	SC2206006	57mm	Haldex	
16/24	A0234206518	OEM Only	57mm	Haldex	Left & Right

Notes:

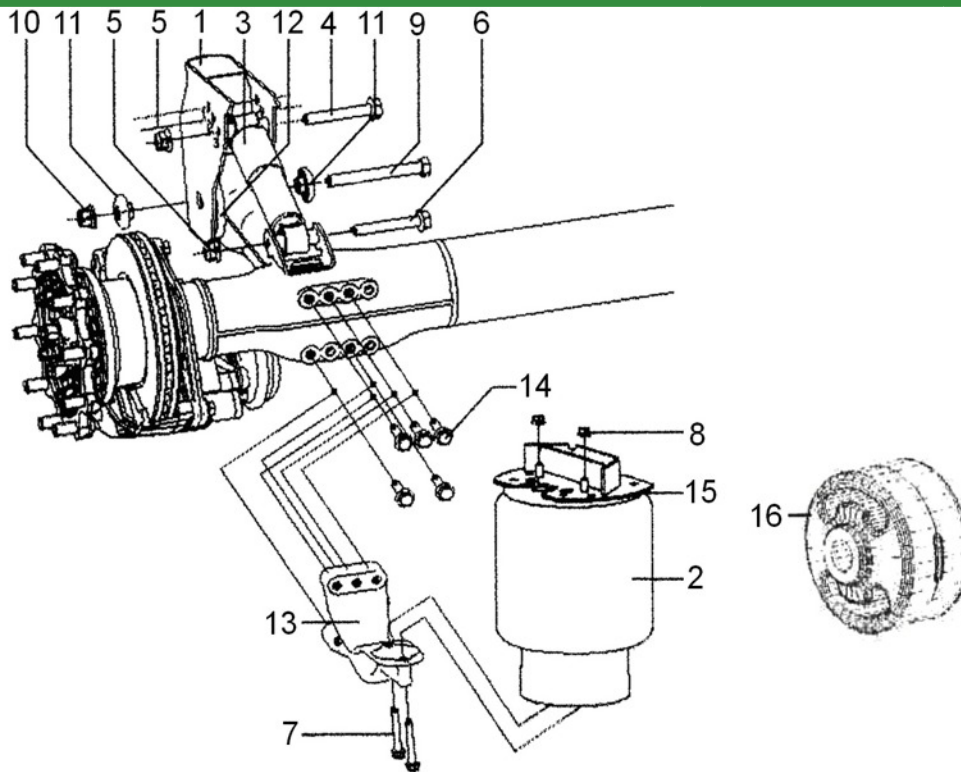
## Tooling



Item	Description	Part No
1	Socket wrench for hex. collar nut M80 x1.5mm	ST10079620
2	Extraction and insertion tool for 3D pivot bush	ST10079621
3	Assembly aid for compact bearing hub RH Thread	ST10079622
3	Assembly aid for compact bearing hub LH Thread	ST10079623
4	Drift for fitting ABS/EBS pole wheel	ST10079624
5	Axle tracking adjustment tool	ST10079625

Notes:

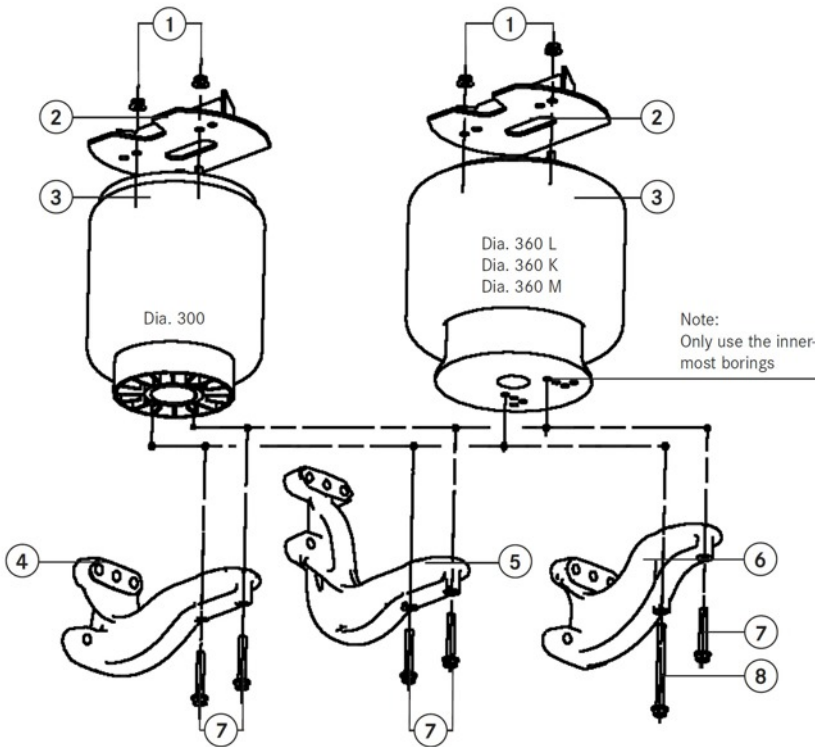
## Suspension Assembly Parts



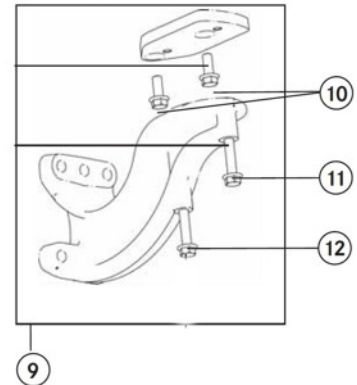
Item	Description	Part No
1	Hanger Bracket H=250mm	ST10079744
1	Hanger Bracket H=325mm	ST10079626
1	Hanger Bracket H=400mm	ST10077543
2	Air Spring	See Pages 1.157
3	Shock Absorber - Most popular	ST10074755
3	Shock Absorber	ST10074756
4	Hex Flange Bolt M20 x 1.5mm x 130mm - 10.9mm	ST10079627
5	Hex Nut M20	ST10079628
6	Hex Bolt M20 x 1.5mm x 100mm	ST10079629
7	Air Spring Mountings	See Pages 1.157
8	Hex Nut M12	ST10079630
9	Hex Bolt M22 x 1.5mm x 195mm	ST10077544
10	Nut	ST10074753
11	Pivot Tracking Washer	ST10077545
12	Anti Wear Washer	ST10076959
13	Air Spring Supports	See Pages 1.157
14	Hex Bolt M14 x 1.5mm x 45mm	ST10079606
14	Hex Bolt M14 x 1.5mm x 60mm	ST10079631
15	Air Spring Bracket H=5mm	ST10079632
15	Air Spring Bracket H=50mm	ST10079633
15	Air Spring Bracket H=70mm	ST10079634
15	Air Spring Bracket H=100mm	ST10079635
15	Air Spring Bracket H=125mm	ST10079636
15	Air Spring Bracket H=155mm	ST10079637
16	3D Pivot Bush	ST10076958

Notes:

## Air Spring Assembly Parts

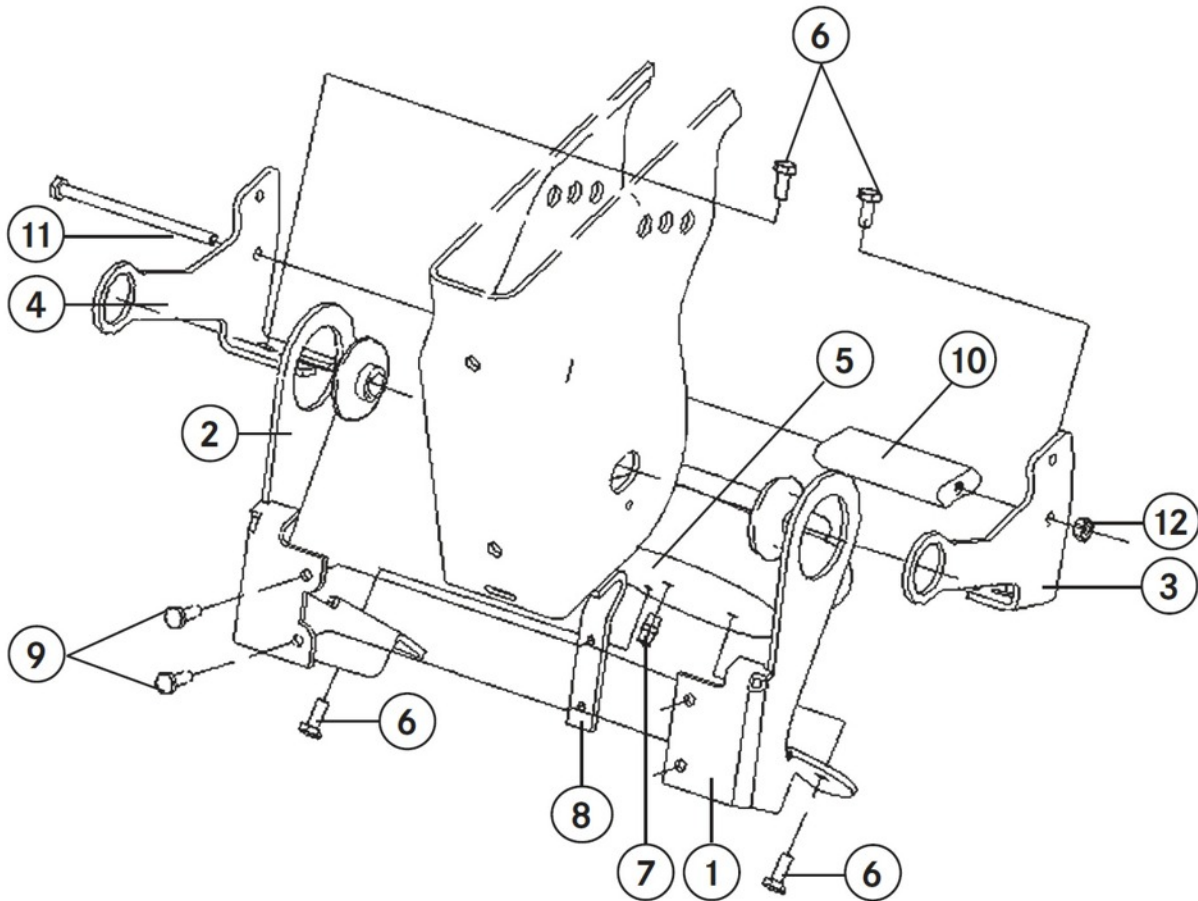


Mounting of tipper offset plate  
(road finishing machine)  
(Only to be used with air bellows  
support A 946 328 1341)



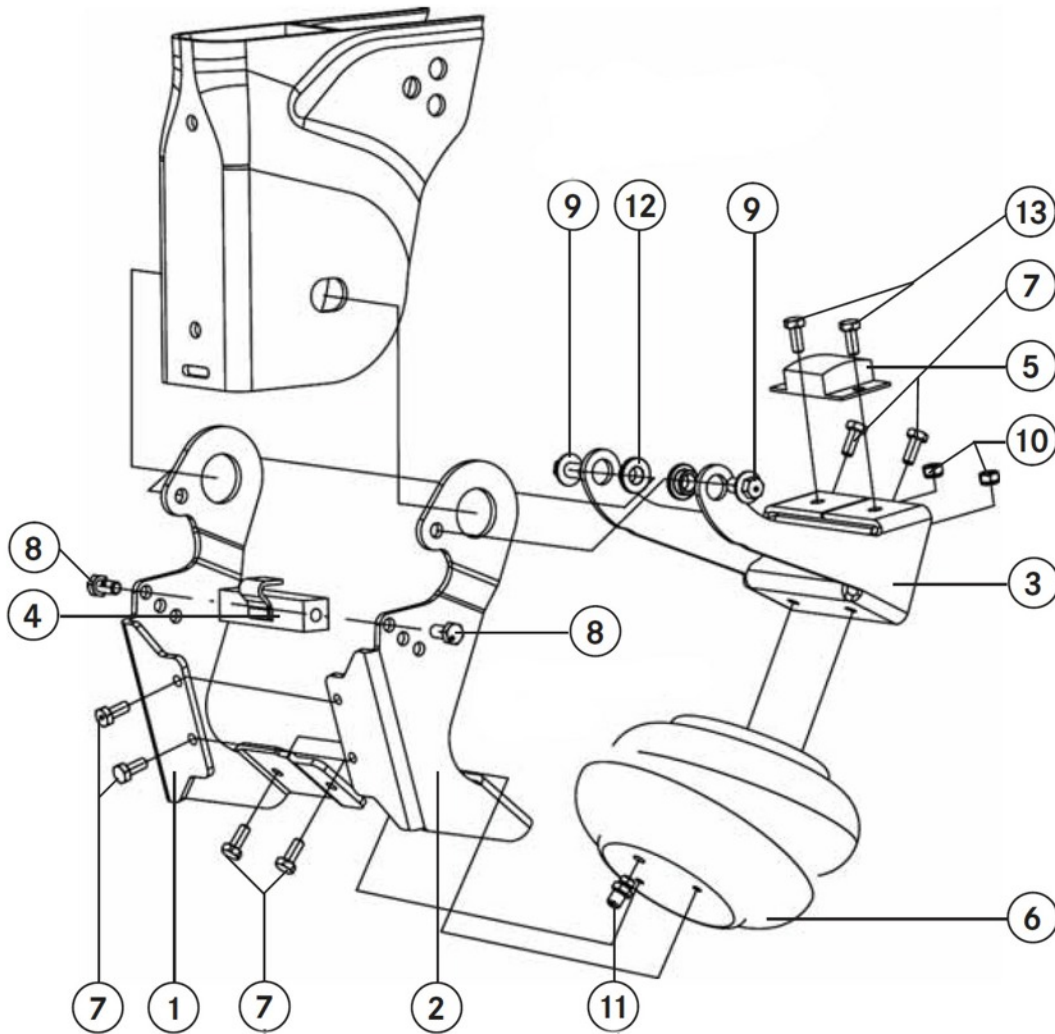
Item	Description	Part No
1	Hex. nut M12	ST10079630
2	Air spring pedestal	See Pages 1.156
3	Air spring, dia. 300mm - Most popular	ST10077176
3	Air spring, dia. 300mm (with Integrated Air Inlet)	ST10079638
3	Air spring, dia. 360mm L (1D28F / 1T19L - 11.5)	ST10077224
3	Air spring, dia. 360mm K (1D28a-13 / 1T19L-7)	ST10071777
3	Air spring, dia. 360mm M	*ST10079638
4	Air spring support, M14, medium L2=385mm (2x A9463281241)	*ST10079639
5	Air spring support, M14, low L2=385mm (2x A9463281141)	*ST10079640
5	Air spring support, M14, special L2=385mm (2x A9463281441)	*ST10079641
6	Air spring support, M14, high L2=340mm (2x A9463281341)	*ST10079642
4	Air spring support, M16, medium (2x A9463280841)	ST10079643
5	Air spring support, M16, low (2x A9463281541)	ST10079644
6	Air spring support, M16, high (2x A9463281041)	ST10079645
7	Hex. bolt M12 x 80mm - 10.9mm	ST10079646
8	Hex. bolt M12 x 150mm - 10.9mm	ST10079647
9	Parts kit, offset plate for 1 axle 35	ST10079648
10	Bolt M12 x 30mm - 10.9mm	ST10079649
11	Bolt M12 x 1.5mm x 65mm - 10.9mm	ST10079650
12	Bolt M12 x 1.5mm x 130mm - 10.9mm	ST10079651

Notes: \*Repair kits for one axle incl. threaded connection



Item	Description	Part No
1	Half bracket, left (Air spring fixed mounting)	Only available as kit
2	Half bracket, right (Air spring fixed mounting)	ST10079652
3	Half bracket, left (Air spring rotating mounting)	Only available as kit
4	Half bracket, right (Air spring rotating mounting)	ST10079653
5	Lift air spring	ST10077199
6	Hex. bolt M10 x 20mm - 8.8mm	ST10079654
7	Adaptor G1/4" to M14mm x 1.5mm	ST10079655
8	Locating hook plate	ST10079656
9	Hex. bolt M10 x 25mm - 8.8mm	ST10079657
10	Rubber lift pad	ST10079658
11	Hex. bolt M10 x 160mm - 8.8mm	ST10079659
12	Hex. nut M10	ST10079660

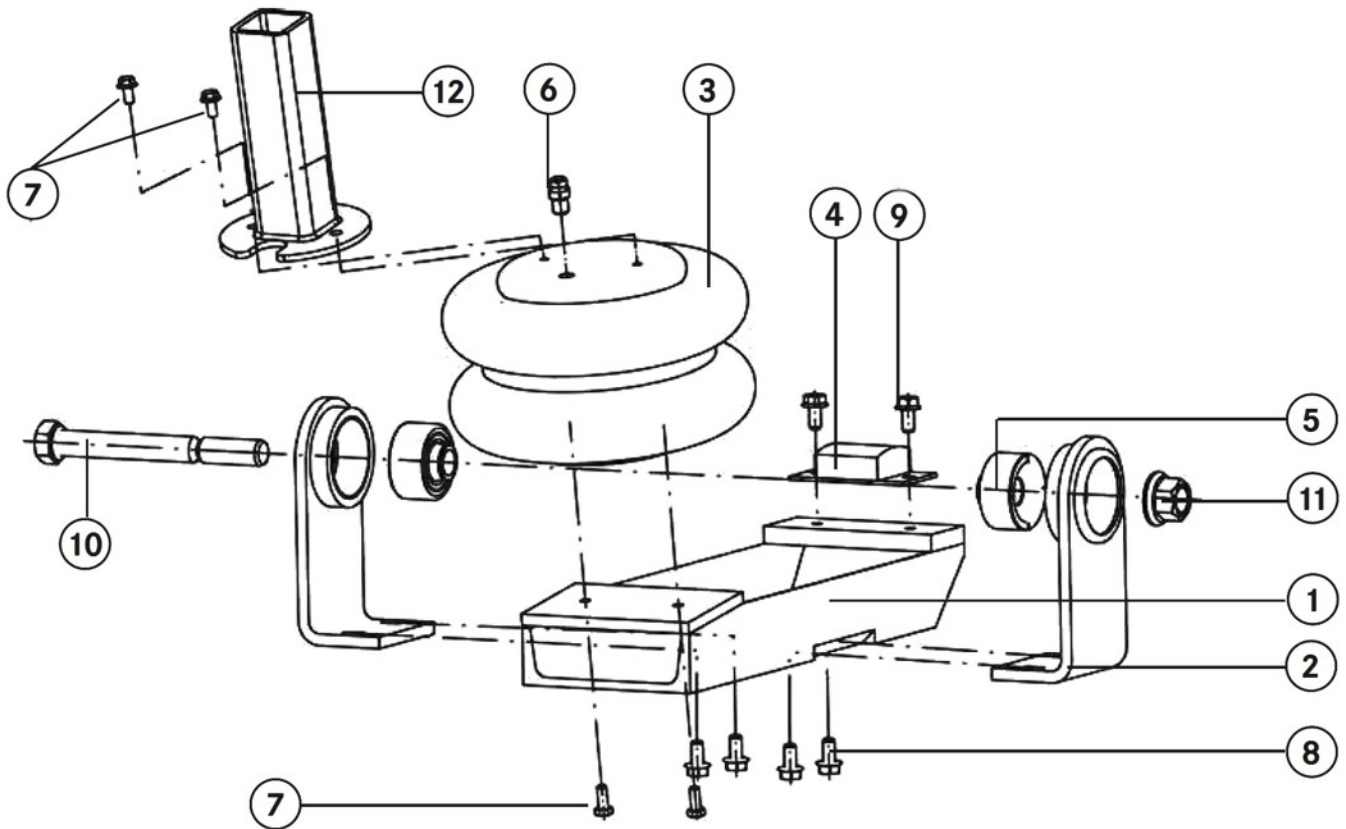
Notes:



Item	Description	Part No
1	Half bracket, left (air spring fixed mounting)	Only available as kit ST10079661
2	Half bracket, right (air spring fixed mounting)	
4	Lift pad	
8	Hex. bolt M12 x 30mm - 8.8mm	Only available as kit ST10079662
7	Hex. bolt M10 x 25mm - 8.8mm	
3	Air spring bracket (air spring rotating mounting)	
9	Hex. bolt M14 x 2mm x 25mm - 10.9mm	ST10079663
12	Bushing	
5	Rubber lift pad	ST10077199
6	Lift air spring	ST10079664
10	Hex. nut M10	ST10079655
11	Adaptor G1/4" to M14 x 1.5mm	ST10079665
13	Hex. bolt M10 x 30mm - 10.9mm	

Notes:

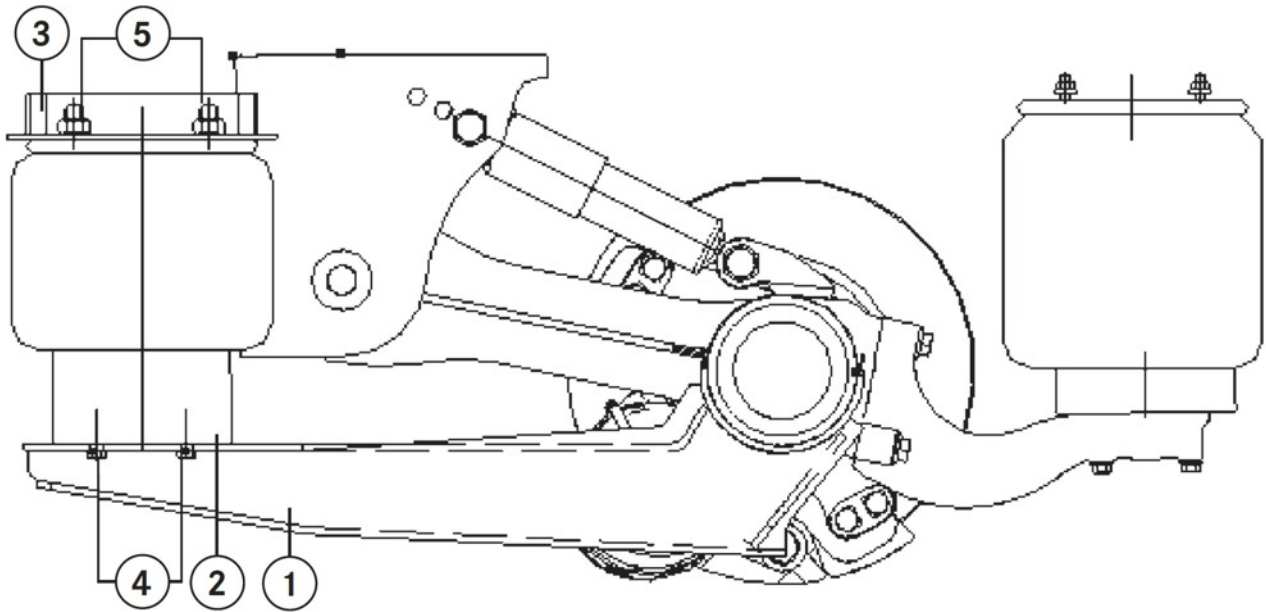
## DCA Twin Lift Rocker



Item	Description	Part No
1	Axle lift arm	ST10079666
2	Lift arm bracket	ST10079667
3	Lift air spring	ST10079675
4	Rubber stop	ST10079663
5	Pivot tracking washer (Pressure Plate)	ST10079668
6	Adaptor G1/4" to M14 x 1.5mm	ST10079669
7	Hex. bolt M8 x 20mm - 10.9mm	ST10079670
8	Hex. bolt M10 x 35mm - 10.9mm	ST10079671
9	Hex. bolt M10 x 20mm - 10.9mm	ST10079672
10	Hex. bolt M22 x 1.5mm x 195mm - 10.9mm	ST10077544
11	Wheel nut M22	ST10079673
12	Air spring bracket	ST10079674

Notes:

## DCA Mid Lift Suspension



Item	Description	Part No
1	Lift arm	ST10079676
2	Air spring	ST10077176
3	Air spring bracket H=200	ST10079677
4	Screw / bolt M12 x 30mm – 10.9mm	ST10079649
5	Hex. nut M12	ST10079630

Notes:



# Brake Calipers

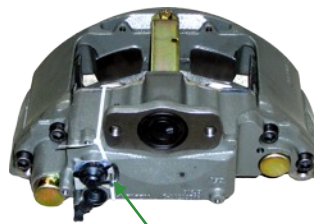
## Meritor Brake Calipers



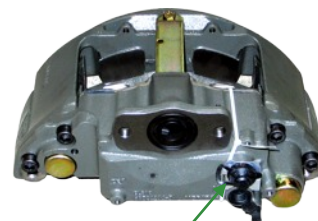
ST10073492  
ST10071077



ST10073493  
ST10071078



ST10071758  
ST10071478  
ST10071687  
ST10073327  
ST10077375



ST10077381  
ST10071479  
ST10071688  
ST10073328  
ST10077376

Axle Ref	Type	Wheel Size	Hand	New Caliper	Casting No.	Recon Caliper	Caliper Housing Kit	Brake Disc	Brake Pads
xxxx/xxxxxx/HMX	DX195	19.5"	LH	ST10071077	25/33/47/51K	N/A	ST10073492	10 stud / ABS ST10071059 8 stud / ABS ST10073634 8 stud Non ABS ST10077382	ST10071151
			RH	ST10071078	26/34/48/52K	ST10073493			
xxxx/xxxxxx/KMX	ELSA 195	19.5"	LH	ST10071758	68325328/ 5327/4644	N/A	ST10076633	10 stud / ABS ST10071059 8 stud / ABS ST10073634 8 stud Non ABS ST10077382	ST10072685
			RH	ST10077381	68325329/ 5326/4643	N/A	ST10076632		
xxxx/xxxxxx/EMX	ELSA 2	22.5"	LH	ST10071478	68324619/ 4245	N/A	ST10073570	10 stud / ABS ST10071150	ST10072421
			RH	ST10071479	68324618/ 4244	N/A	ST10073571		
xxxx/xxxxxx/JMX	ELSA 225-2	22.5"	LH	ST10077375	3263Q1343/ L1338	N/A	ST10077377	10 stud / ABS ST10071150	ST10077379
			RH	ST10077376	3263P1342/ K1337	N/A	ST10077378		
xxxx/xxxxxx/DMX (18mm mounting bolts)	Duco	22.5"	LH	ST10071687	68323925 I/D 68033331/4553	N/A		10 stud / ABS ST10071150	ST10072201
			RH	ST10071688	68323926 I/D 68033332/4554	N/A			
xxxx/xxxxxx/DMX (20mm mounting bolts)	Duco	22.5"	LH	ST10073327	68323925 I/D 68033116/2959/5066	N/A		10 stud / ABS ST10071150	ST10072201
			RH	ST10073328	68323926 I/D 68033117/2960/5067	N/A			

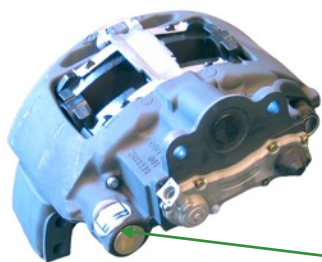
Notes: Meritor offer an alternative value range of discs & pads for their own axles, for details see page 1.168 - 1.170

It is important to note that the L/H caliper could be mounted on the right hand side of the vehicle. This situation could also apply to the right hand caliper due to the installation of the axle. Therefore it is recommended to confirm caliper I/D by the position of the adjuster cap.

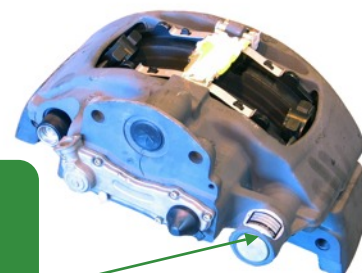
# Brake Calipers

AXLE & SUSPENSION

## BPW Brake Calipers



ST10073936  
ST10072023  
ST10076979  
ST10077233  
ST10071816



ST10073959  
ST10072022  
ST10073937  
ST10074915  
ST10077219

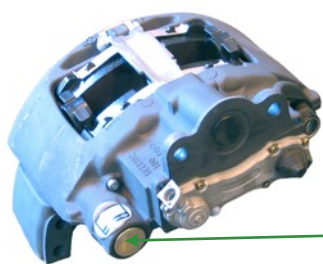
Axle Code	Type	Carrier	Wheel Size	Caliper	BPW L/H Caliper	KB L/H Caliper	BPW R/H Caliper	KB R/H Caliper
xx.xx.610.xxx	SB3745	5/6 Bolt	370mm (19.5")	(KB) SN6	ST10076140	ST10073936	ST10076138	ST10073959
26.xx.610.xxx	SB3745	5/6 Bolt	370mm (19.5")	(KB) SN6	ST10076145	ST10077219	ST10076144	ST10071816
xx.xx.609.xxx	SB4345	5/6 Bolt	430mm (22.5")	(KB) SN7	ST10076143	ST10072022	ST10076142	ST10072023
xx.xx.612.xxx	SB3745T	4 Bolt	370mm (19.5")	(KB) SN6	ST10171111	ST10073959	ST10076147	ST10073936
xx.xx.613.xxx	SB4309T	4 Bolt	430mm (22.5")	(KB) SK7	ST10170256	ST10074915	ST10170257	ST10077233
xx.xx.614.xxx	SB4345T	4 Bolt	430mm (22.5")	(KB) SN7	ST10076435	ST10073937	ST10076434	ST10076979
xx.xx.616.xxx	TSB3709T	4 Bolt	370mm (19.5")	BPW	ST10170130	BPW Only	ST10170131	BPW Only
xx.xx.617.xxx	TSB4309T	4 Bolt	430mm (22.5")	BPW	ST10171105	BPW Only	ST10170206	BPW Only

Notes: BPW Calipers are supplied complete as a caliper, carrier and brake pads

KB = Knorr Bremse rationalized calipers do not come with carrier or brake pads

It is important to note that the L/H caliper could be mounted on the right hand side of the vehicle. This situation could also apply to the right hand caliper due to the installation of the axle. Therefore it is recommended to confirm caliper I/D by the position of the adjuster cap.

## Daimler Brake Calipers



ST10073936  
ST10077233  
ST10071261



ST10073959  
ST10074915  
ST10071262

Axle Code	Caliper ID	Wheel Size	Caliper	Daimler L/H Caliper	KB L/H Caliper	Daimler R/H Caliper	KB R/H Caliper
xxx/xNC6-x	TDB0637	19.5"	SN6	A002420260180	ST10073959	A002420270180	ST10073936
xxx/xNC7-x	TDB0571	22.5"	SN7	A004420258380	ST10071262	A004420268380	ST10071261
xxx/xKC7-x	TDB0815	22.5"	SK7	A003420918380	ST10074915	A003420928380	ST10077233

Notes: Daimler calipers are rationalized and do not come with carrier or brake pads

KB = Knorr Bremse rationalized calipers do not come with carrier or brake pads

Caliper ID can be found on the axle ID plate

It is important to note that the L/H caliper could be mounted on the right hand side of the vehicle. This situation could also apply to the right hand caliper due to the installation of the axle. Therefore it is recommended to confirm caliper I/D by the position of the adjuster cap.

# Brake Calipers

## SAF Brake Calipers

### Haldex



ST10078272

### Knorr Bremse



ST10073936  
ST10072023  
ST10077233



ST10073959  
ST10072022  
ST10074915

### Wabco



SC1723265  
SC1723268



SC1723264  
SC1723267

Axle Code	Carrier	Wheel Size	Caliper	SAF L/H Caliper	SAF R/H Caliper	Alt L/H Caliper	Alt RH Caliper
SKRB9019K, SKRB9019KI, SKRS9019K, SKRZ11019K	6 Bolt	19.5"	(KB) SN6	SC1723259	SC1723258	ST10073959	ST10073936
SI919K, ZI919K, ZI1119K	4 Bolt	19.5"	(KB) SN6	SC2090750	SC2090751	ST10073959	ST10073936
SKRB9022K, SKRB9022KI, SKRS9022K, SKRS11222K, SKRZ11222K		22.5"	(KB) SN7	SC1872709	SC1872707	ST10072022	ST10072023
SKRB9022K01, SKRB9022KI01, SKRS9022K01, SKRZ11222K	6 Bolt	22.5"	(KB) SK7	SC2082029	SC2092737	ST10074915	ST10077233
B922K01, BI922K01, SI922K01, SI1122K01, ZI922K01, ZI1122K01	4 Bolt	22.5"	(KB) SK7	SC2082030	SC2079058	ST10074915	ST10077233
SKRB9022H, SKRB9022HI, SKRS9022H, SI922H		22.5"	Haldex	SC1872732		SC1872731	
SKRB9019W, SKRB9019WI, SKRS9019W, SKRZ9019W, SKRS11019W, SKRZ11019W		19.5"	Wabco (Pan 19-1)	SC1723265	SC1723264	SC2093073	SC2093075
SKRB9022W, SKRB9022WI, SKRS9022W, SKRZ9022W, SKRZ11222W		22.5"	Wabco (Pan 22-1)	SC1723268	SC1723267	SC2093076	SC2093077

Notes: For Schmitz Trailers use Caliper Part Numbers SC1872704 & SC1872706 (SN7 22.5")

SAF Calipers are supplied complete as a caliper, carrier and brake pads

KB = Knorr Bremse rationalized calipers do not come with carrier or brake pads

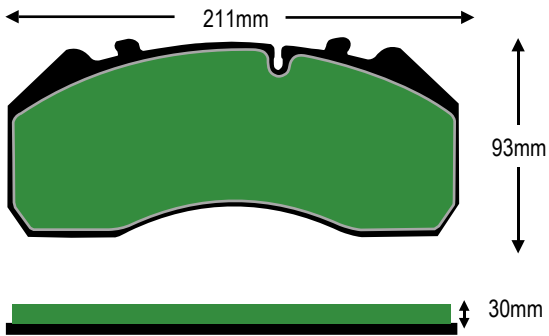
Haldex = Haldex calipers do not come with pads

Wabco = Wabco rationalized calipers do not come with carrier or brake pads

It is important to note that the L/H caliper could be mounted on the right hand side of the vehicle. This situation could also apply to the right hand caliper due to the installation of the axle. Therefore it is recommended to confirm caliper I/D by the position of the adjuster cap.

# Brake Pads (Knorr Bremse SB6 & SN6 Calipers)

## Brake Pad - WVA 29095 (Fitted to Knorr Bremse Calipers SB6 & SN6) 19.5"

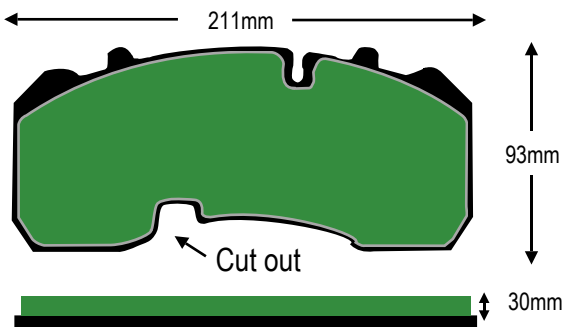


OEM Supplier	OEM Ref	Part No.
<b>*BPW</b>	<b>09.801.06.21.0</b>	<b>S/S by 09.801.07.24.0</b>
<b>SAF</b>	<b>3057007800</b>	<b>SC1723330</b>
<b>Daimler</b>	<b>A00242007820</b>	<b>ST10074253</b>
Knorr	II376580062	SC2121536
Ferodo	FCV1275	ST10074298
Juratek	JCP1001	ST10071810
VRS	N/A	ST10078298
Meritor 2nd Line	MDP3095K	ST10071220

Notes: Wear Leads - Sold in pairs  
 350mm Long - ST10078313  
 760mm Long - ST10078312

\*Fitted to BPW axles pre April 2004

## Brake Pad - WVA 29165 & 29268 (Fitted to Knorr Bremse Calipers SB6 & SN6) 19.5"

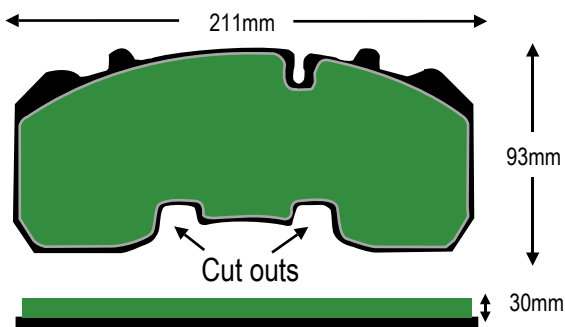


OEM Supplier	OEM Ref	Part No.
<b>*BPW</b>	<b>09.801.07.24.0</b>	<b>S/S by 09.801.08.15.0</b>
Knorr	K060273K50	SC2121586
Ferodo	FCV1678B	ST10078075
Juratek	JCP1001	ST10071810
VRS	N/A	ST10078299
Meritor 2nd Line	MDP3165K	ST10071238

Notes: Wear Leads - Sold in pairs  
 350mm Long - ST10078313  
 360mm Long - ST10078311

\*Fitted to BPW axles April 2004 - Dec 2009

## Brake Pad - WVA 29306 (Fitted to Knorr Bremse Calipers SB6 & SN6) 19.5"



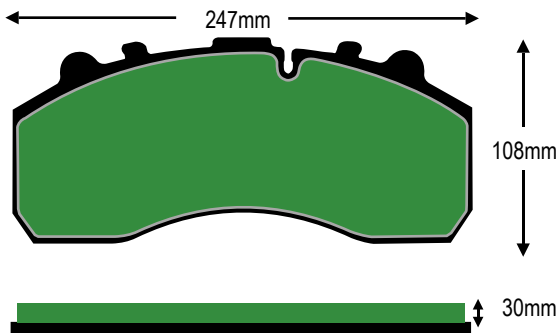
OEM Supplier	OEM Ref	Part No.
<b>*BPW</b>	<b>09.801.08.15.0</b>	<b>ST10170133</b>
Juratek	JCP1001	ST10071810

\*New type BPW pad to replace 09.801.07.24.0

AXLE & SUSPENSION

# Brake Pads (Knorr Bremse SB7 & SN7 Calipers)

## Brake Pad - WVA 29202 (Fitted to Knorr Bremse Calipers SB7 & SN7) 22.5"

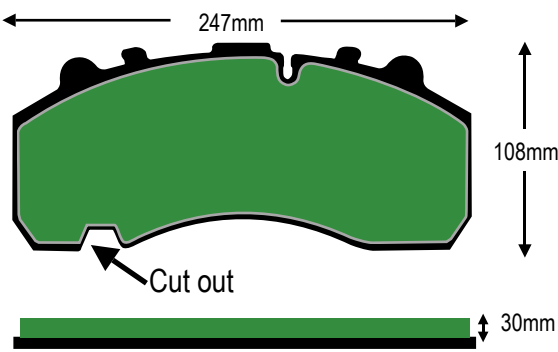


OEM Supplier	OEM Ref	Part No.
<b>*BPW</b>	<b>09.801.06.36.0</b>	<b>S/S by 09.801.07.28.0</b>
<b>SAF</b>	<b>3057007700</b>	<b>SC1723329</b>
<b>Daimler</b>	<b>A0064201020</b>	<b>ST10078318</b>
Knorr	K031891K50	ST10077760
Ferodo	FCV1373HD	ST10072865
Juratek	JCP1000	ST10073900
VRS	N/A	ST10078300
Meritor 2nd Line	MDP3087K	ST10071265

Notes: Wear Leads - Sold in pairs  
760mm Long - ST10078312

\*Fitted to BPW axles pre April 2004

## Brake Pad - WVA 29167 & 29270 (Fitted to Knorr Bremse Calipers SB7 & SN7) 22.5"

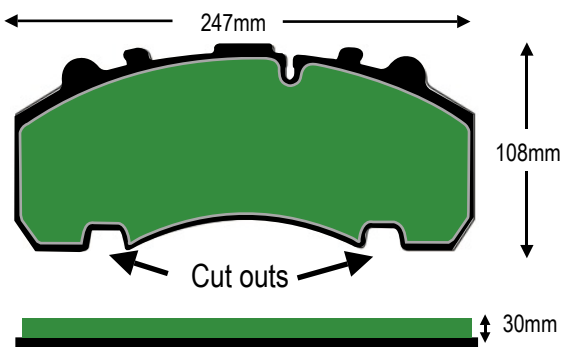


OEM Supplier	OEM Ref	Part No.
<b>*BPW</b>	<b>09.801.07.28.0</b>	<b>S/S by 09.801.08.17.0</b>
Knorr	K015946	ST10077761
Ferodo	FCV1677	ST10077762
Juratek	JCP1000	ST10073900
VRS	N/A	ST10078301
Meritor 2nd Line	MDP3167K	ST10071293

Notes: Wear Leads - Sold in pairs  
760mm Long - ST10078312

\*Fitted to BPW axles April 2004 - Dec 2009

## Brake Pad - WVA 29307 (Fitted to Knorr Bremse Calipers SB7 & SN7) 22.5"

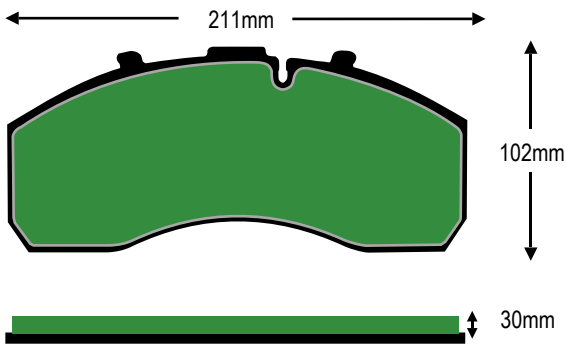


OEM Supplier	OEM Ref	Part No.
<b>*BPW</b>	<b>09.801.08.17.0</b>	<b>ST10170135</b>
Juratek	JCP1000	ST10073900

\*New type BPW pad to replace 09.801.07.28.0

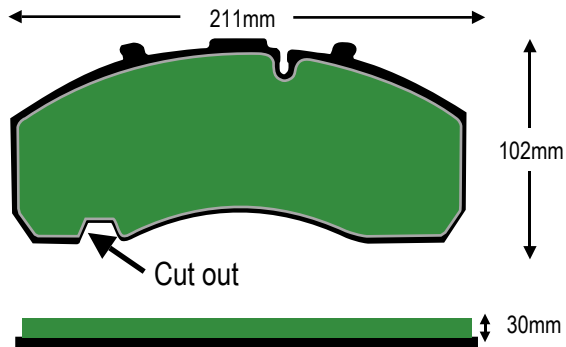
# Brake Pads (Knorr Bremse SK7 Calipers)

Brake Pad - WVA 29158 (Fitted to Knorr Bremse Calipers SK7) 22.5"



OEM Supplier	OEM Ref	Part No.
SAF	3057008500	SC1748114
Daimler	A0044207020	ST10074391
Knorr	K004169K50	SC2121542
Ferodo	FCV4461BFE	ST10077763
Juratek	JCP1002	ST10077526
VRS	N/A	ST10078302
Meritor 2nd Line	MDP3171K	ST10071296

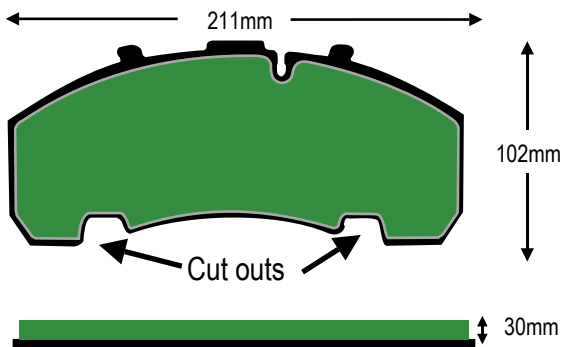
Brake Pad - WVA 29171 & 29271 (Fitted to Knorr Bremse Calipers SK7) 22.5"



OEM Supplier	OEM Ref	Part No.
<b>*BPW</b>	<b>09.801.07.26.0</b>	<b>S/S by 09.801.08.16.0</b>
Knorr	K011471K50	SC2121586
Ferodo	FCV1825B	ST10076519
Juratek	JCP1002	ST10077526
VRS	N/A	ST10078303
Meritor 2nd Line	MDP3171K	ST10071296

\*Fitted to BPW axles April 2004 - Dec 2009

Brake Pad - WVA 29308 (Fitted to Knorr Bremse Calipers SK7) 22.5"

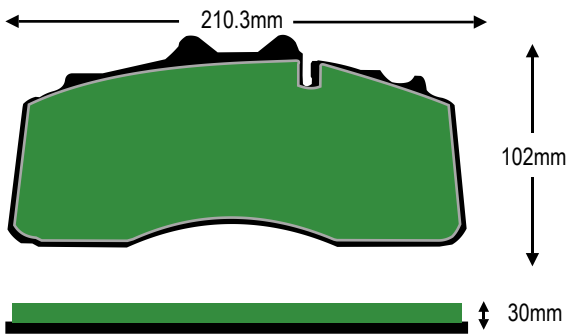


OEM Supplier	OEM Ref	Part No.
<b>*BPW</b>	<b>09.801.08.16.0</b>	<b>ST10170134</b>
Juratek	JCP1002	ST10077526

\*New type BPW pad to replace 09.801.07.26.0

# Brake Pads

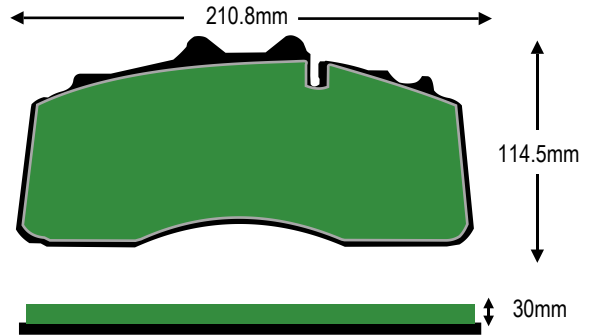
Brake Pad - WVA 29227 (Fitted to BPW TSB3709T) 19.5"



OEM Supplier	OEM Ref	Part No.
BPW	09.000.61.79.0	ST10170207

Notes:

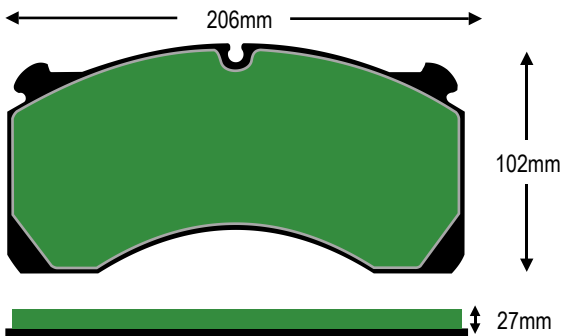
Brake Pad - WVA 29228 (Fitted to BPW TSB4309T) 19.5"



OEM Supplier	OEM Ref	Part No.
BPW	09.801.07.96.0	ST10171099

Notes:

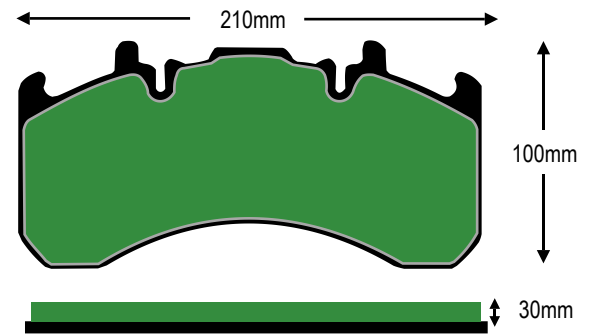
Brake Pad - WVA 29124 (Fitted to Meritor DX195) 19.5"



OEM Supplier	OEM Ref	Part No.
Meritor	MDP5076	ST10071151
Ferodo	FCV1857BFE	ST10077764
Juratek	JCP109	ST10077765
VRS	N/A	ST10078304
Meritor 2nd Line	MDP3124K	ST10071152

Notes: Wear Leads - Sold in pairs  
760mm Long - ST10078312

Brake Pad - WVA 29177 (Fitted to Meritor ELSA 195) 19.5"

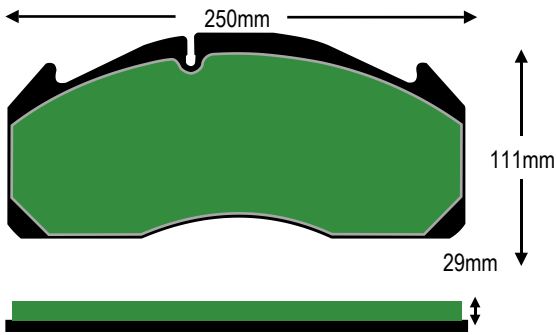


OEM Supplier	OEM Ref	Part No.
Meritor	MDP5093	ST10072685
Ferodo	FCV1624	ST10076518
Juratek	JCP1624	ST10077766
VRS	N/A	ST10078305
Meritor 2nd Line	MDP3169K	ST10071297

Notes:

# Brake Pads

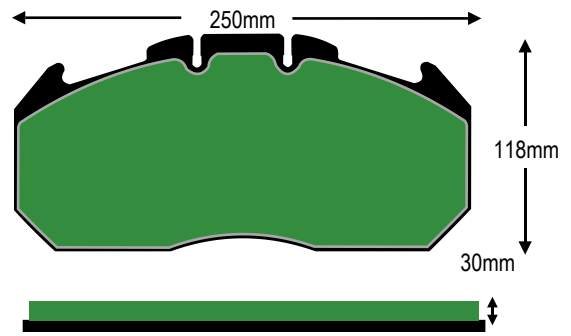
**Brake Pad - WVA 29125 (Fitted to Meritor DUCO) 22.5"**



OEM Supplier	OEM Ref	Part No.
Meritor	MDP5057	ST10072201
Ferodo	FCV1388B	ST10077767
Juratek	JCP1388	ST10077768
VRS	N/A	ST10078306
Meritor 2nd Line	MDP3125K	ST10071298

Notes:

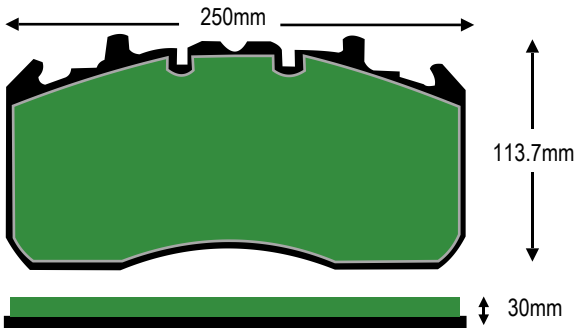
**Brake Pad - WVA 29131 (Fitted to Meritor ELSA 2) 22.5"**



OEM Supplier	OEM Ref	Part No.
Meritor	MDP5073	ST10072421
Ferodo	FCV1653B	ST10077769
Juratek	JCP1404	ST10077770
VRS	N/A	ST10078307
Meritor 2nd Line	MDP3131K	ST10071153

Notes: Wear Leads - Sold in pairs  
300mm Long - ST10078314  
350mm Long - ST10078315

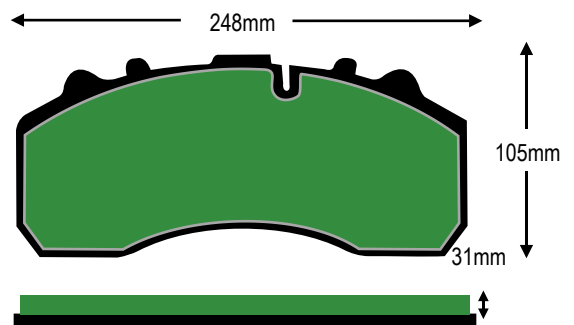
**Brake Pad - WVA 29188 (Fitted to Meritor Elsa 225-2) 22.5"**



OEM Supplier	OEM Ref	Part No.
Meritor	MDP5117	ST10077379

Notes:

**Brake Pad - WVA 29143 (Fitted to Haldex DB22) 22.5"**



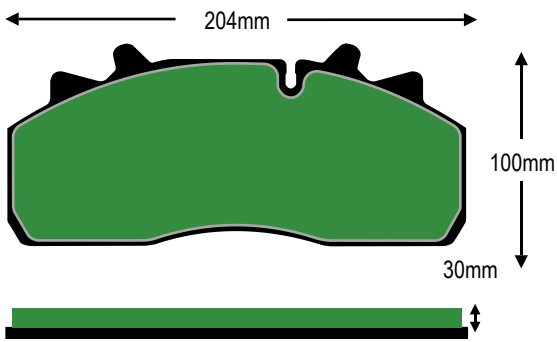
OEM Supplier	OEM Ref	Part No.
SAF	3057007900	SC2149069
Haldex	89724	SC2206052
Ferodo	FCV1328BFE	ST10071259
Juratek	JCP1000	ST10073900
VRS	N/A	ST10078308

Notes:



# Brake Pads

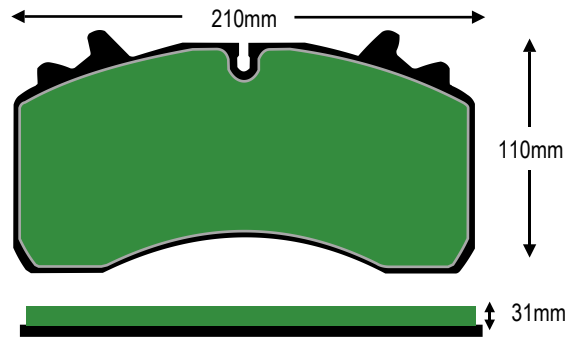
Brake Pad - WVA 29159 (Fitted to Wabco PAN 19.1) 19.5"



OEM Supplier	OEM Ref	Part No.
<b>SAF</b>	<b>3057008000</b>	<b>SC1723331</b>
Wabco	12999737VT	SC2093078
Ferodo	FCV4043	ST10077772
Juratek	JCP1389	ST10077773
VRS	N/A	ST10078309
Meritor 2nd Line	MDP3126	ST10071299

Notes: Wear Leads - Sold in pairs  
760mm Long - ST10078316

Brake Pad - WVA 29162 (Fitted to PAN 22.1) 22.5"



OEM Supplier	OEM Ref	Part No.
<b>SAF</b>	<b>3057008400</b>	<b>SC1723332</b>
Wabco	12999796	SC2093079
Ferodo	FCV1828B	ST10077774
Juratek	JCP005	ST10077775
VRS	N/A	ST10078310
Meritor 2nd Line	MDP3162	ST10071300

Notes: Wear Leads - Sold in pairs  
760mm Long - ST10078317

Notes:

# Brake Discs

## Brake Discs



OE Ref	OEM Part No.	Application	Alternative Part No.	Meritor Allmakes	Description
03.088.34.01.7	ST10075278	BPW	*ST10072580		without ABS ring mounting
03.088.34.03.7	ST10075278	BPW			with ABS ring mounting
03.088.34.04.7	ST10075280	BPW	*ST10072581		with ABS ring mounting
03.088.34.06.7	ST10075281	BPW			without ABS ring mounting
03.088.34.08.7	ST10075282	BPW	ST10072703		Off set hub
03.088.34.10.7	ST10075283	BPW	*ST10072820		without ABS ring mounting
03.088.34.13.7	ST10075284	BPW			with ABS ring mounting
03.088.35.01.7	ST10075285	BPW	ST10072821		with ABS ring mounting
03.088.35.03.0	ST10075286	BPW			without ABS ring mounting
03.088.35.05.7	ST10075286	BPW	*ST10072971		without ABS ring mounting
A6754210012	ST10079614	Daimler	ST10077485		
A9424212112	ST10072419	Daimler	ST10072419		
MBR9018	ST10071059	Meritor	ST10073010	ST10077492	TM & LM Elsa 195 / TM & LM DX195 (10 Stud ABS & None ABS)
MBR9004	ST10071150	Meritor	ST10073106	ST10077500	LM & TA Elsa 2 / LM & TA D Duco Axial M20
MBR9014	ST10073634	Meritor	ST10073107		TM & LM Elsa 195 / TM & LM DX195 (8 Stud with Pole Wheel)
MBR9017	ST10079377	Meritor	ST10073109	ST10077382	TM & LM Elsa 195 / TM & LM DX195 (8 Stud No Pole Wheel)
4079000300	SC1723367	SAF	ST10073110		
4079000701	SC2064262	SAF	ST10077553		
4079000400	SC1723368	SAF	ST10074432		
4079000502	SC1747685	SAF	ST10071260		
4079001003	SC2064263	SAF	ST10073148		
4079001301	SC2032206	SAF	ST10072119		
4079001500	SC2064280	SAF	ST10074013		
3079001600	SC2064281	SAF	ST10074063		
4079001700	SC2064261	SAF	ST10074168		

Notes: \*ABS version can replace non ABS

AXLE & SUSPENSION

# Brake Shoes BPW

## Brake Shoe - BPW 1983 - 1995



Part No.	WVA Ref	Brake Size	Axle Code	Description
GB5101198	BC98	420 x 180mm	xx.xx.710.xxx / xx.xx.714.xxx	Conventional Brake

Notes:

## Brake Shoe - BPW 1995 - Sept 2007



Part No.	WVA Ref	Brake Size	Axle Code	Description
GB5100098	BC98	420 x 180mm	xx.xxx.743.xx	95 Brake Quick Fit
GB5100097	BC97	420 x 200mm	xx.xxx.744.xx	95 Brake Quick Fit

Notes:

## Brake Shoe - BPW Sept 2007 on



Part No.	WVA Ref	Brake Size	Axle Code	Description
GB5119191	BC98	420 x 180mm	xx.xxx.743.xx	With cut out

Notes:

# Brake Shoes Meritor

## Brake Shoe - Meritor



Part No.	WVA Ref	Brake Size	Axle Code	Description
GB5100913	RW9/13	310 x 190mm	xTMx/xxxxxx/ACMX	Quick Fit

Notes:

## Brake Shoe - Meritor



Part No.	WVA Ref	Brake Size	Axle Code	Description
GB5102122	RW21/22	350 x 200mm	xTMx/xxxxxx/BMX	Quick Fit

Notes:

## Brake Shoe - Meritor



Part No.	WVA Ref	Brake Size	Axle Code	Description
GB5116667	IL66/67	420 x 180mm	xTEx/xxxxxx/QMX, xTMx/xxxxxx/QMX, xLMx/xxxxxx/QMX, xLCx/xxxxxx/QMX, xTAX/xxxxxx/QMX, xTCx/xxxxxx/QMX	Standard Shoe

Notes:

## Brake Shoe - Meritor

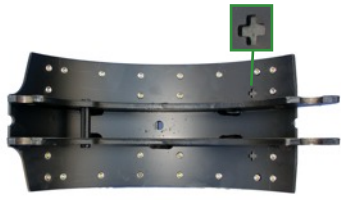


Part No.	WVA Ref	Brake Size	Axle Code	Description
GB5106667	IL66/67	420 x 180mm	xTEx/xxxxxx/QMX, xTMx/xxxxxx/QMX, xLMx/xxxxxx/QMX, xLCx/xxxxxx/QMX, xTAX/xxxxxx/QMX, xTCx/xxxxxx/QMX	Quick Fit

Notes:

# Brake Shoes Meritor

## Brake Shoe - Meritor LM & LC



Part No.	WVA Ref	Brake Size	Axle Code	Description
GB5103435	RW34/35	420 x 180mm	xLMx/xxxxxx/QMX, xLCx/xxxxxx/QMX	Meritor Plus Brake
Notes:				

## Brake Shoe - Meritor



Part No.	WVA Ref	Brake Size	Axle Code	Description
GB5100045	FU4/5	420 x 220mm	xTMx/xxxxxx/ZMX, xTAX/xxxxxx/ZMX, xTCx/xxxxxx/ZMX	Quick Fit
Notes:				

# Brake Shoes SAF

## Brake Shoe - SAF



Part No.	WVA Ref	Brake Size	Axle Code	Description
GB5102829	SJ28/29	420 x 180mm	SKRS9042 INTRAXX, SK1000	Ball Type

Notes:

## Brake Shoe - SAF



Part No.	WVA Ref	Brake Size	Axle Code	Description
GB5102223	SJ22/23	300 x 200mm	WRZM8130, WRZM11030	Ball Type

Notes:

## Brake Shoe - SAF



Part No.	WVA Ref	Brake Size	Axle Code	Description
GB5151197	BC97	420 x 200mm	RSM9042/20	Standard Shoe

Notes:

## Brake Shoe - SAF



Part No.	WVA Ref	Brake Size	Axle Code	Description
GB5151198	BC98	420 x 180mm	RSM9042	Standard Shoe

Notes:

# Brake Drums

## Brake Drums



OE Ref	OEM Part No.	Manufacturer	Alternative Part No.	Size
1064006002	SC1723184	SAF	ST10071301	420 x 180mm
1064010801	SC1723185	SAF	ST10071302	420 x 200mm
1064019700	SC1723186	SAF	ST10071304	300 x 200mm
1064022300	SC1723188	SAF	ST10074230	355 x 200mm
1064023500	SC1748099	SAF	ST10072423	300 x 200mm
1064023601	SC1723189	SAF	ST10071308	420 x 180mm
1064025200	SC1875171	SAF	ST10071310	355 x 200mm
1064026002	SC1723190	SAF	ST10071330	420 x 180mm
1064026101	SC1873151	SAF		420 x 200mm
1064027000	SC1723191	SAF	ST10071333	420 x 200mm
1064027300	SC1723192	SAF	ST10071334	300 x 200mm
1064027700	SC1723193	SAF	ST10071368	370 x 200mm
1064027800	SC1723194	SAF	ST10071427	370 x 200mm
1064028001	SC1723195	SAF	ST10071428	370 x 200mm
03.109.67.13.0	ST10075315	BPW	ST10071443	420 x 180mm
03.109.67.79.0	ST10170012	BPW	ST10071494	420 x 180mm
03.109.67.78.0	ST10170198	BPW	ST10071842	420 x 180mm
03.109.67.74.0	ST10075318	BPW	ST10071963	420 x 180mm
03.109.77.16.0	ST10075319	BPW	ST10071970	420 x 200mm
03.109.77.42.0	ST10170250	BPW	ST10071973	420 x 200mm
03.109.77.43.0	ST10170194	BPW	ST10078053	420 x 200mm
03.109.77.44.0	ST10170013	BPW		420 x 200mm
03.109.90.03.0	ST10075325	BPW	ST10071974	360 x 200mm
03.109.90.22.0	ST10075327	BPW	ST10074231	360 x 200mm
03.109.90.04.0	ST10075326	BPW	ST10072121	360 x 200mm
03.109.90.24.0	ST10075328	BPW	ST10072133	360 x 200mm
03.105.46.27.0	ST10075302	BPW	ST10072181	300 x 200mm
03.109.46.49.0	ST10075314	BPW	ST10072335	300 x 200mm
03.109.46.06.0	ST10075312	BPW	ST10072399	300 x 200mm
03.109.46.40.0	ST10075313	BPW	ST10072400	300 x 200mm
21018986V	ST10079294	Meritor	ST10072460	420 x 180mm
21020448S	ST10079275	Meritor	ST10072461	310 x 190mm
21021114AV	ST10079512	Meritor	ST10074232	420 x 220mm
21209723S	ST10072417	Meritor	ST10072548	310 x 190mm
21211030S	ST10073660	Meritor	ST10072572	350 x 200mm
21211966S	ST10079276	Meritor	ST10072576	350 x 200mm
21220183V	ST10079485	Meritor	ST10072577	420 x 180mm

Notes:

# Shock Absorbers

## Shock Absorbers



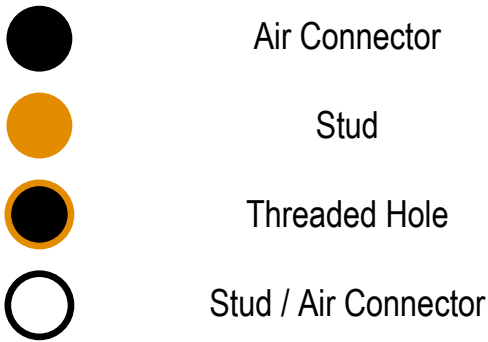
OEM Part No.	OEM Manufacture	SGB OEM Part No.	SGB Alternative Part No.
2376000200	SAF	SC1723216	ST10074170
2376000302	SAF	SC1723217	ST10074175
2376000900	SAF	SC1873766	ST10074176
2376001001	SAF	SC1723219	ST10074180
2376001002	SAF	SC1723220	ST10074180
2376001400	SAF	SC1877480	ST10074180
2376001600	SAF	SC1873767	ST10074181
2376002000	SAF	SC1873768	ST10074191
2376002600	SAF	SC1723221	ST10074192
2376002700	SAF	SC1723222	ST10073220
2376002800	SAF	SC1877481	ST10074193
2376002900	SAF	SC1877482	ST10074180
2376003000	SAF	SC1723223	ST10074199
2376003100	SAF	SC1723224	ST10074200
2376003200	SAF	SC1748104	ST10074201
2376003500	SAF	SC1873780	ST10074212
2376007001	SAF	SC1723225	ST10074215
2376007101	SAF	SC1723226	ST10074216
2376007201	SAF	SC1723227	ST10074222
2376403200	SAF	SC1873784	ST10074201
0237021802	BPW	ST10170362	ST10074239
0237022002	BPW	ST10075067	ST10074201
0237026002	BPW	ST10075070	ST10074239
0237026702	BPW	ST10075071	ST10074242
0237228900	BPW	ST10272029	ST10073220
0237228800	BPW	ST10170197	ST10074200
0237220402	BPW	ST10170360	ST10074192
0237228302	BPW	ST10170156	ST10074193
A9463260500	Daimler	ST10074755	ST10074289
A9463260700	Daimler	ST10074756	ST10074243
21224034	Meritor	ST10077032	ST10074248
21224745	Meritor	ST10071203	ST10074250
21224778	Meritor	ST10071204	ST10077618
21225104	Meritor	ST10079448	ST10077910
21228392	Meritor	ST10076741	ST10074288

Notes:



# Air Springs - SAF

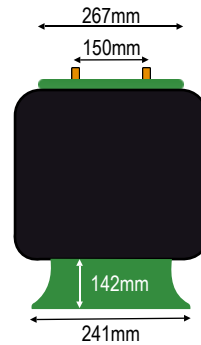
## Hole & Stud Types



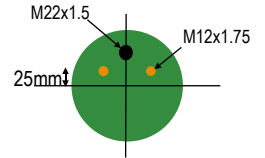
Notes:

### SAF 3229002900 / SC1723277

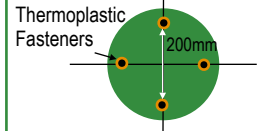
#### Side View



#### Top Plate



#### Bottom Plate



#### Alternative

**Pega**

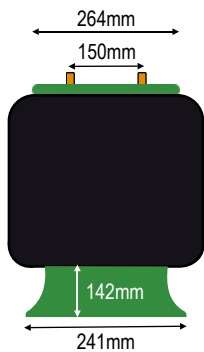
#### Part No.

**ST10078285**

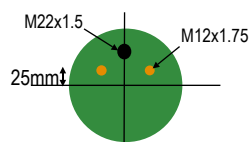
Notes: Fitting Kit Part No. ST10073243

### SAF 3229003300 / SC1723281

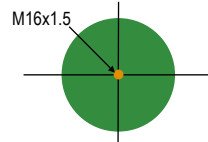
#### Side View



#### Top Plate



#### Bottom Plate



#### Alternative

**Pega**

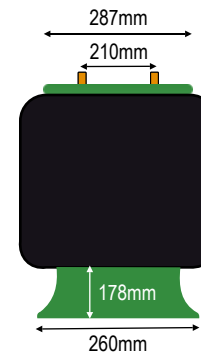
#### Part No.

**ST10078282**

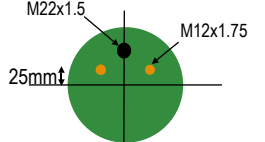
Notes: Fitting Kit Part No. ST10077579

### SAF 3229003100 / SC1723280

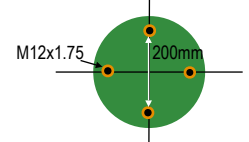
#### Side View



#### Top Plate



#### Bottom Plate



#### Alternative

**Firestone**

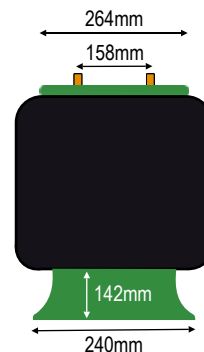
#### Part No.

**ST10078288**

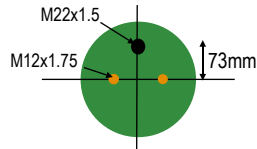
Notes: Fitting Kit Part No. ST10073222

### SAF 3229000702 / SC1723273

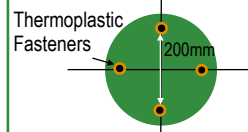
#### Side View



#### Top Plate



#### Bottom Plate



#### Alternative

**Pega**

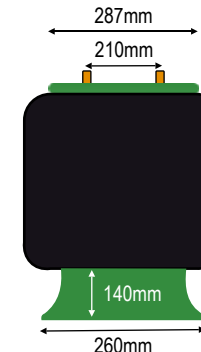
#### Part No.

**ST10078290**

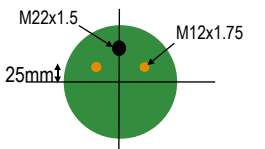
Notes: Fitting Kit Part No. ST10073243

### SAF 3229002700 / SC1723275

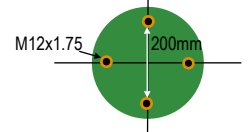
#### Side View



#### Top Plate



#### Bottom Plate



#### Alternative

**Pega**

#### Part No.

**ST10078281**

Notes: Fitting Kit Part No. ST10073222

# Air Springs - SAF

AXLE & SUSPENSION

SAF 3229003600 / SC1873858	
<b>Side View</b> 	<b>Top Plate</b> 
	<b>Bottom Plate</b> 
<b>Alternative</b> <b>Firestone</b>	<b>Part No.</b> <b>ST10078280</b>
Notes: Fitting Kit Part No. ST10073222	

SAF 3229003800 / SC1873859	
<b>Side View</b> 	<b>Top Plate</b> 
	<b>Bottom Plate</b> 
<b>Alternative</b> <b>Pega</b>	<b>Part No.</b> <b>ST10078283</b>
Notes: Fitting Kit Part No. ST10079157	

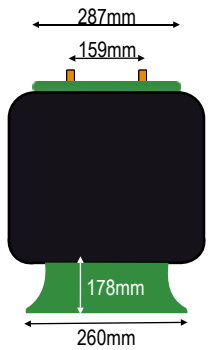
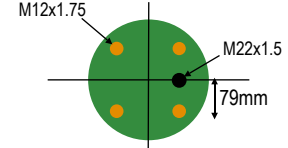
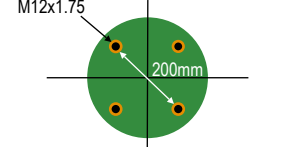
SAF 3229003900 / SC1723272	
<b>Side View</b> 	<b>Top Plate</b> 
	<b>Bottom Plate</b> 
<b>Alternative</b> <b>Airtech</b>	<b>Part No.</b> <b>ST10078284</b>
Notes: Fitting Kit Part No. ST10079157	

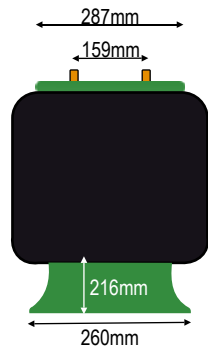
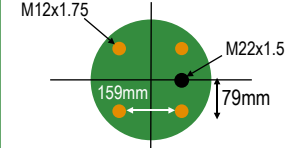
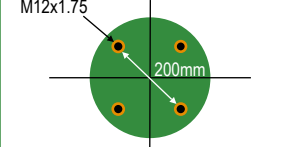
SAF 3229004100 / SC1873863	
<b>Side View</b> 	<b>Top Plate</b> 
	<b>Bottom Plate</b> 
<b>Alternative</b> <b>Pega</b>	<b>Part No.</b> <b>ST10078286</b>
Notes: Fitting Kit Part No. ST10079159	

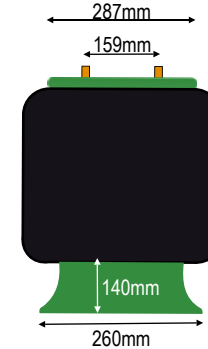
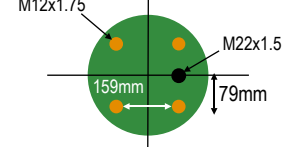
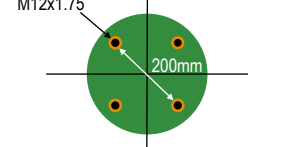
SAF 3229002800 / SC1723276	
<b>Side View</b> 	<b>Top Plate</b> 
	<b>Bottom Plate</b> 
<b>Alternative</b> <b>Pega</b>	<b>Part No.</b> <b>ST10078287</b>
Notes: Fitting Kit Part No. ST10073222	

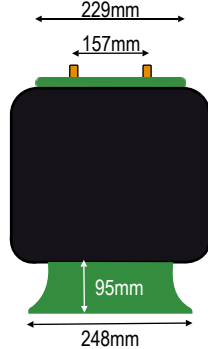
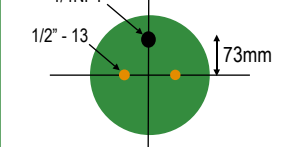
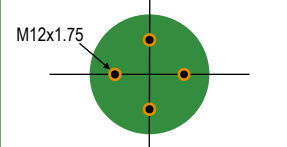
SAF 3229003000 / SC1723279	
<b>Side View</b> 	<b>Top Plate</b> 
	<b>Bottom Plate</b> 
<b>Alternative</b> <b>Firestone</b>	<b>Part No.</b> <b>ST10078289</b>
Notes: Fitting Kit Part No. ST10073222	

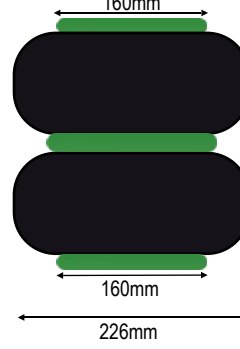
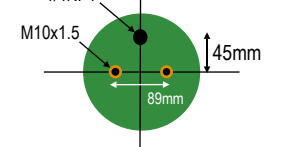
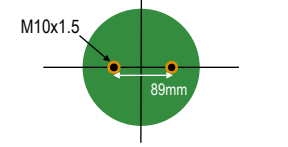
# Air Springs - Meritor


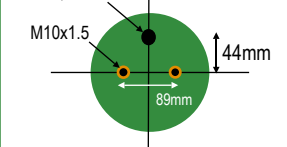
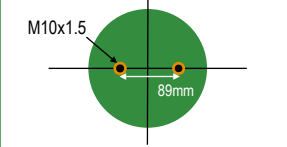
Meritor 21215633 & 21222239 / ST10071295	
<b>Side View</b> 	<b>Top Plate</b> 
	<b>Bottom Plate</b> 
<b>Alternative</b> <b>Firestone</b>	<b>Part No.</b> <b>ST10078293</b>
Notes: Fitting Kit Part No. ST10071222	

Meritor 21222673 / ST10072959	
<b>Side View</b> 	<b>Top Plate</b> 
	<b>Bottom Plate</b> 
<b>Alternative</b> <b>Firestone</b>	<b>Part No.</b> <b>ST10078292</b>
Notes: Fitting Kit Part No. ST10071222	

Meritor 21208082 / ST10071294	
<b>Side View</b> 	<b>Top Plate</b> 
	<b>Bottom Plate</b> 
<b>Alternative</b> <b>Firestone</b>	<b>Part No.</b> <b>ST10078294</b>
Notes: Fitting Kit Part No. ST10071222	

Meritor 21223269 / ST10079153	
<b>Side View</b> 	<b>Top Plate</b> 
	<b>Bottom Plate</b> 
<b>Alternative</b> <b>Firestone</b>	<b>Part No.</b> <b>ST10078295</b>
Notes: Fitting Kit Part No. ST10076645	

Meritor 21221356 / ST10079154	
<b>Side View</b> 	<b>Top Plate</b> 
	<b>Bottom Plate</b> 
<b>Alternative</b> <b>Firestone</b>	<b>Part No.</b> <b>ST10077452</b>
Notes: Fitting Kit Part No. ST10077453	

Meritor 21222663 / ST10072418	
<b>Side View</b> 	<b>Top Plate</b> 
	<b>Bottom Plate</b> 
<b>Alternative</b> <b>Firestone</b>	<b>Part No.</b> <b>ST10077199</b>
Notes: Fitting Kit Part No. ST10077453	

AXLE & SUSPENSION

# Air Springs - Meritor

Meritor 21222442 / ST10071053	
<p><b>Side View</b></p>	<p><b>Top Plate</b></p> <p>Ext: M22x1.5 Int: M12x1.5</p>
	<p><b>Bottom Plate</b></p>
<p><b>Alternative</b></p> <p><b>Firestone</b></p>	<p><b>Part No.</b></p> <p><b>ST10078291</b></p>
Notes: Fitting Kit Part No. ST10071976	

Meritor 21215762 & 21215761 /	
<p><b>Side View</b></p>	<p><b>Top Plate</b></p> <p>Ext: 3/4"-16UNF Int: 1/4" NPT</p>
	<p><b>Bottom Plate</b></p>
<p><b>Alternative</b></p> <p><b>Firestone</b></p>	<p><b>Part No.</b></p> <p><b>ST10071695</b></p>
Notes: Fitting Kit Part No. ST10079161	

Meritor 21229214 / ST10074339	
<p><b>Side View</b></p>	<p><b>Top Plate</b></p> <p>M12x1.5    M12x1.75</p>
	<p><b>Bottom Plate</b></p>
<p><b>Alternative</b></p> <p><b>Firestone</b></p>	<p><b>Part No.</b></p> <p><b>ST10078296</b></p>
Notes: Fitting Kit Part No. ST10072724	

Meritor 21221307 / N/A	
<p><b>Side View</b></p>	<p><b>Top Plate</b></p> <p>M12x1.5    M12x1.75</p>
	<p><b>Bottom Plate</b></p>
<p><b>Alternative</b></p> <p><b>Firestone</b></p>	<p><b>Part No.</b></p> <p><b>ST10072470</b></p>
Notes: Fitting Kit Part No. ST10072724	

# Air Springs - BPW

BPW 0542943200 (Type 30) / ST10170153	
<p><b>Side View</b></p>	<p><b>Top Plate</b></p>
	<p><b>Bottom Plate</b></p>
<p><b>Alternative</b></p> <p><b>Pega</b></p>	<p><b>Part No.</b></p> <p><b>ST10078274</b></p>
<p>Notes: Fitting Kit Part No. ST10073642</p>	

BPW 0542943210 (Type 30K) / ST10170154	
<p><b>Side View</b></p>	<p><b>Top Plate</b></p>
	<p><b>Bottom Plate</b></p>
<p><b>Alternative</b></p> <p><b>Pega</b></p>	<p><b>Part No.</b></p> <p><b>ST10078276</b></p>
<p>Notes: Fitting Kit Part No. ST10073642</p>	

BPW 0542943410 (Type 36K) / ST10076190	
<p><b>Side View</b></p>	<p><b>Top Plate</b></p>
	<p><b>Bottom Plate</b></p>
<p><b>Alternative</b></p> <p><b>Firestone</b></p>	<p><b>Part No.</b></p> <p><b>ST10078277</b></p>
<p>Notes: Fitting Kit Part No. ST10073642</p>	

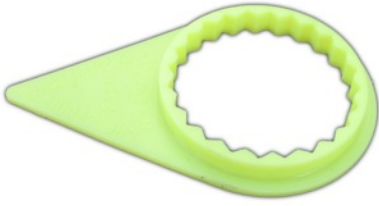
BPW 0542943510 (Type 36) / ST10170155	
<p><b>Side View</b></p>	<p><b>Top Plate</b></p>
	<p><b>Bottom Plate</b></p>
<p><b>Alternative</b></p> <p><b>Firestone</b></p>	<p><b>Part No.</b></p> <p><b>ST10078275</b></p>
<p>Notes: Fitting Kit Part No. ST10073642</p>	

BPW 0542941690 (Type 36-1) / ST10076183	
<p><b>Side View</b></p>	<p><b>Top Plate</b></p>
	<p><b>Bottom Plate</b></p>
<p><b>Alternative</b></p> <p><b>Firestone</b></p>	<p><b>Part No.</b></p> <p><b>ST10078279</b></p>
<p>Notes: Fitting Kit Part No. ST10073642</p>	

AXLE & SUSPENSION

# Wheel Nut Indicators

## Check Torque Indicator (Yellow)



Part No.	Size
ST10073733	24mm
ST10073734	27mm
ST10072021	30mm
ST10071401	32mm
ST10071402	33mm
ST10077575	36mm
ST10076728	38mm

Notes:

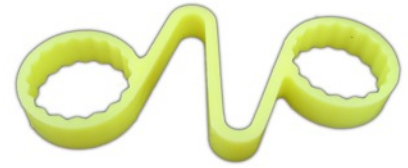
## Check Torque Indicator (Red)



Part No.	Size
ST10077245	24mm
ST10077246	27mm
ST10074441	30mm
ST10073689	32mm
ST10073690	33mm

Notes:

## Check Link Indicator (Yellow)



Part No.	Size
ST10077211	27mm
ST10077215	30mm
ST10074933	32mm
ST10073086	33mm

Notes:

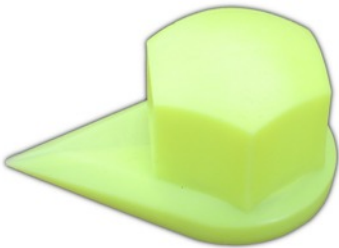
## Dustite Indicator Long (Yellow)



Part No.	Size
ST10071994	32mm
ST10073305	33mm

Notes:

## Dustite Indicator Short (Yellow)



Part No.	Size
ST10077907	30mm
ST10074163	32mm
ST10074162	33mm

Notes:

## Dustite Indicator Short (Red)



Part No.	Size
ST10077244	30mm
ST10077247	32mm
ST10074571	33mm

Notes:

## Dustite Indicator Long (Red)



Part No.	Size
ST10077268	32mm
ST10077269	33mm

Notes:

# Hubodometers

## Hubodometers



Wheel Diameter	Tyre Size	Scania part number	Wheel Diameter	Tyre Size	Scania part number
16.0"	225/75R 16	ST10074371	19.5"	285/75R 19.5	ST10074373
17.5"	205/65R 17.5	ST10074371	19.5"	425/45R 19.5	ST10074373
17.5"	205/75R 17.5	ST10074371	19.5"	425/55R 19.5	ST10074373
17.5"	215/75R 17.5	ST10074371	19.5"	445/45R 19.5	ST10074374
17.5"	235/75R 17.5	ST10074371	19.5"	445/65R 19.5	ST10074378
17.5"	235/70R 17.5	ST10077868	22.5"	11.00R22.5	ST10077473
17.5"	245/70R 17.5	ST10077868	22.5"	295/80R 22.5	ST10074378
17.5"	265/70R 17.5	ST10077868	22.5"	315/80R 22.5	ST10074374
19.5"	245/70R 19.5	ST10074372	22.5"	385/65R 22.5	ST10074374
19.5"	265/70R 19.5	ST10074373	22.5"	425/65R 22.5	ST10074383
19.5"	285/70R 19.5	ST10074373	22.5"	445/65R 22.5	ST10074383

Notes: Comes with Nut & Washer

# AIR BRAKE

Description	Page No.	Description	Page No.
<b>A Frames</b>	<b>2.59</b>	Levelling Valves	2.25 - 2.26
<b>Air Brake Fittings</b>	<b>2.7 - 2.20</b>	Lift Axle Control Valves	2.23
<b>Air Brake Sealant</b>	<b>2.4</b>	Linkage Kits	2.26
<b>Air Coils</b>	<b>2.5 - 2.6</b>	Load Sensing Valves	2.31
<b>Air Hose - Rubber</b>	<b>2.4</b>	Low Pressure Indicators	2.31
<b>Air Reservoirs</b>	<b>2.53 - 2.54</b>	Park Valves	2.28
<b>Brake Chambers</b>	<b>2.55 - 2.57</b>	Pressure Protection Valves	2.29
<b>C &amp; CA Couplings</b>	<b>2.2 - 2.3</b>	Quick Release Valves	2.24
<b>Coupling C Lock</b>	<b>2.3</b>	Raise/Lower Valves	2.30
<b>Euro Booms</b>	<b>2.59</b>	Relay Emergency Valve	2.29
<b>Flexi Sticks</b>	<b>2.4</b>	Relay Valve	2.29
<b>Haldux Components</b>		Shunt Valves	2.28
ABS Sensors	2.44	Stop Light Switches	2.31
Cables	2.43 - 2.44	TIM Unit	2.30
Check Valves	2.50	Trailer Brake Modules	2.21 - 2.22
Control Cylinders	2.50	Trailer Control Valves	2.30
Diagnostic Kits	2.42	<b>Nose Boxes</b>	<b>2.59</b>
EB+ EBS Kit	2.40 - 2.42	<b>Palm Couplings</b>	<b>2.4</b>
ECUs	2.40 - 2.42	<b>Pipe Cutters</b>	<b>2.4</b>
GEN 3 Retrofit Kits	2.42	<b>Rubber Coupling Grips</b>	<b>2.4</b>
Info Centre	2.43	<b>Service Line Test Gauge</b>	<b>2.4</b>
In-line Filters	2.50	<b>Slack Adjusters</b>	<b>2.58</b>
Levelling Valves	2.48	<b>Tubing Nylon</b>	<b>2.4</b>
Lift Axle Valves	2.51	<b>Wabco Components</b>	
Linkage Kits	2.48	3/2 Control Valves	2.36
Load Sensing Valves	2.49	ABS Relay Modulators	2.32
MCER Valves	2.47	ABS Sensors	2.33
Modulator Valves	2.47	Cables	2.34
Modulators	2.40 - 2.42	Charging Valves	2.35
Park Valves	2.45	Check Valve	2.35
Pressure Limiting Valves	2.49	Distance Sensors	2.38
Pressure Protection Valves	2.52	EBS Axle Modulators	2.33
Pressure Switch Kits	2.46	EBS Relay Valve	2.33
Quick Release Valves	2.49 - 2.50	EBS Trailer Control Valve	2.39
Raise Lower Valves	2.51	ECAS Solenoid Valves	2.35
Regulating Valves	2.49 - 2.50	ECUs	2.32
Relay Emergency Valves	2.49	Height Sensors	2.38
Relay Valves	2.49	In Line Filter	2.36
Shunt Valves	2.45	Levelling Valves	2.37
Shut Off Valves	2.50	Lift Axle Control Valve	2.36
Sockets	2.46	Linkage Kits	2.37
Trailer Control Modules	2.45	Load Sensing Relay Emergency Valves	2.38
Trailer Control Valves	2.49	Modulators	2.32
Trailer Emergency Modules	2.45	Park Release Emergency Valve	2.36
Wiring Looms	2.43	Park Valves	2.36
<b>Knorr Bremse Components</b>		Pneumatic Extension Module	2.32
3/2 Way Control Valves	2.23	Pressure Limiting Valves	2.38
ABS Modulator Valve	2.31	Pressure Sensor	2.35
Cables	2.27	Quick Release Valves	2.36
Charging Valves	2.26	Raise & Lower Valves	2.36
Check Valves	2.24	Relay Emergency Valves	2.39
Control Valves	2.30	Shunt Valves	2.36
D 2 Governors	2.31	Silencers	2.38
Height Limiting Valves	2.30	Smart Board	2.33
In Line Filters	2.28		



# Air Line Couplings (BSAU138a 1980 - 1999)

## Service Line

Self Sealing Valve



Part No.	Thread
ST10071120	1/2" BSP
ST10071124	M22 x 1.5

Male C Coupling



Part No.	Thread
ST10071117	1/2" BSP
ST10071123	M22 x 1.5

Female C Coupling



Part No.	Thread
ST10071119	1/2" BSP
ST10071125	M22 x 1.5

Operating Sleeve



Part No.	Thread
ST10071122	1/2" BSP
ST10071393	M22 x 1.5

## Auxiliary Line

Female Self Sealing Valve



Part No.	Thread
ST10071121	1/2" BSP
ST10071126	M22 x 1.5

Female CA Coupling



Part No.	Thread
ST10072764	1/2" BSP
ST10072768	M22 x 1.5

Male CA Coupling



Part No.	Thread
ST10072647	1/2" BSP
ST10072648	M22 x 1.5

Replacement Seal



Part No.	ST10078109
Notes: Seal for ST10072764 & ST10072768	

Air Brake

## Emergency Line

Female Self Sealing Valve



Part No.	Thread
ST10071121	1/2" BSP
ST10071126	M22 x 1.5

Female C Coupling



Part No.	Thread
ST10071119	1/2" BSP
ST10071125	M22 x 1.5

Male C Coupling



Part No.	Thread
ST10071117	1/2" BSP
ST10071123	M22 x 1.5

Replacement Seal



Part No.	ST10073028
Notes: Seal for ST10071119 & ST10071125	

# Air Line Couplings (BSAU138b 2000 on)

## Service Line

Trailer Service Line Coupling



Part No.	Thread
ST10078083	M22 x 1.5

Tractor Service Line Coupling



Part No.	Thread
ST10071288	M22 x 1.5

## Emergency Line

Trailer Emergency Line Coupling



Part No.	Thread
ST10077216	M22 x 1.5

Tractor Emergency Line Coupling



Part No.	Thread
ST10071289	M22 x 1.5

## Air Line Components

Female Dummy Coupling



Part No.
ST10073207

Male Dummy Coupling



Part No.
ST10073208

Blanking Plug & Chain



Part No.
ST10072378

Coupling C Lock



Part No.
ST10076837

Air Brake

# Air Line Components

## Rubber Coupling Grips (Sold In Pairs)



Part No. **ST10077989**

## Alloy Palm Couplings - Red



Part No.	Thread
ST10072449	M16 x 1.5
ST10077008	M22 x 1.5

## Alloy Palm Couplings - Yellow



Part No.	Thread
ST10072450	M16 x 1.5
ST10074878	M22 x 1.5

## Flexi Sticks



Part No.	Size
ST10071918	40"
ST10077990	50"

## Flexastick Hose Bracket Kit



Part No. **ST10078117**

## Service Line Test Gauge



Part No. **ST10073497**

## Rubber Air Hose



Part No.	Length	Spec	I.D.
ST10076565	10m	BSS AU110	3/8"
ST10073004	10m	BSS AU110	1/2"
ST10078098	10m	BSS AU110	5/8"
ST10073247	25m	DIN 74310	13mm

## Black Nylon Tubing (DIN 74324 )



Tube OD	Tube ID	Part No.
4mm	2mm	ST10078099
6mm	4mm	ST10078100
8mm	6mm	ST10078101
10mm	7.5mm	ST10078102
10mm	8mm	ST10078103
12mm	9mm	ST10078104
15mm	12mm	ST10078105
16mm	12mm	ST10078106
18mm	14mm	ST10078107

Notes: Sold in rolls or per metre, contact your local branch for details

## Pipe Cutters



Part No. **CS 20985351**

Notes: Cuts up to 13mm or 1/2" pipe

## Air Brake Sealant



Part No. **CS 20FX085568**

Notes:

# Air Coils

**Air Coils to DIN 73378 (Yellow Coils with Metal Tail Supports)**



Part No.	Colour	Thread	Working Length	Turns
ST10071465	Yellow	1/2" BSP	4.5m	22

Notes:

**Air Coils to DIN 73378 (Red Coils with Metal Tail Supports)**



Part No.	Colour	Thread	Working Length	Turns
ST10071464	Red	1/2" BSP	4.5m	22

Notes:

**Air Coils to DIN73378 (Yellow Coils, Black Plastic Tail Supports)**



Part No.	Colour	Thread	Working Length	Turns
ST10073187	Yellow	M22 x 1.5	3m	16
ST10072927	Yellow	M22 x 1.5	4.5m	22
ST10077358	Yellow	M22 x 1.5	9m	32

Notes:

**Air Coils to DIN73378 (Red Coils, Black Plastic Tail Supports)**



Part No.	Colour	Thread	Working Length	Turns
ST10073186	Red	M22 x 1.5	3m	16
ST10072926	Red	M22 x 1.5	4.5m	22
ST10077359	Red	M22 x 1.5	9m	32

Notes:

**Anti Kink Air Coils to DIN 74323  
(Black Coil with Yellow Plastic Tail Supports)**



Part No.	Colour	Thread	Working Length	Turns
ST10077150	Yellow	M18 x 1.5	4m	32

Notes:

**Anti Kink Air Coils to DIN 74323  
(Black Coil with Red Plastic Tail Supports)**



Part No.	Colour	Thread	Working Length	Turns
ST10077149	Red	M18 x 1.5	4m	32

Notes:

# Air Coils

## Unicoils

These coils are designed to reduce stock levels while increasing availability, the coils have an M18 x 1.5 female fitting on both ends, and by using different Unicoil adaptors shown below these coils can be fitted to all vehicle applications - See the Unicoil Vehicle Application chart below for application details

### Unicoils (Black Coil with Yellow Tail Supports)



Part No.	Colour	Working Length	Turns
ST10077303	Yellow	3m	16
ST10074734	Yellow	4m	20
ST10071837	Yellow	4.5m	22

Notes: DIN73378  
End Fittings M18 x 1.5

### Unicoils (Black Coil with Red Tail Supports)



Part No.	Colour	Working Length	Turns
ST10077302	Red	3m	16
ST10074735	Red	4m	20
ST10071838	Red	4.5m	22

Notes: DIN73378  
End Fittings M18 x 1.5

### M18 x 1.5 Unicoil Adaptors



Type A

Type B 34mm Long

Part No.	Size	Type
ST10073692	1/2" BSP	A
ST10073552	M16 x 1.5	A
ST10071480	M22 x 1.5	A
ST10071954	M16 x 1.5	B = 34mm
ST10073750	M18 x 1.5	B = 34mm

Notes:

### Unicoil Vehicle Applications

Vehicle	Coils	Fitting 1	Fitting 2
Iveco	ST10074735 / ST10074734	ST10073552	ST10071954
DAF / Merc / Renault / Volvo	ST10074735 / ST10074734	ST10073552	ST10073552
MAN	ST10074735 / ST10074734	ST10073750	ST10071954

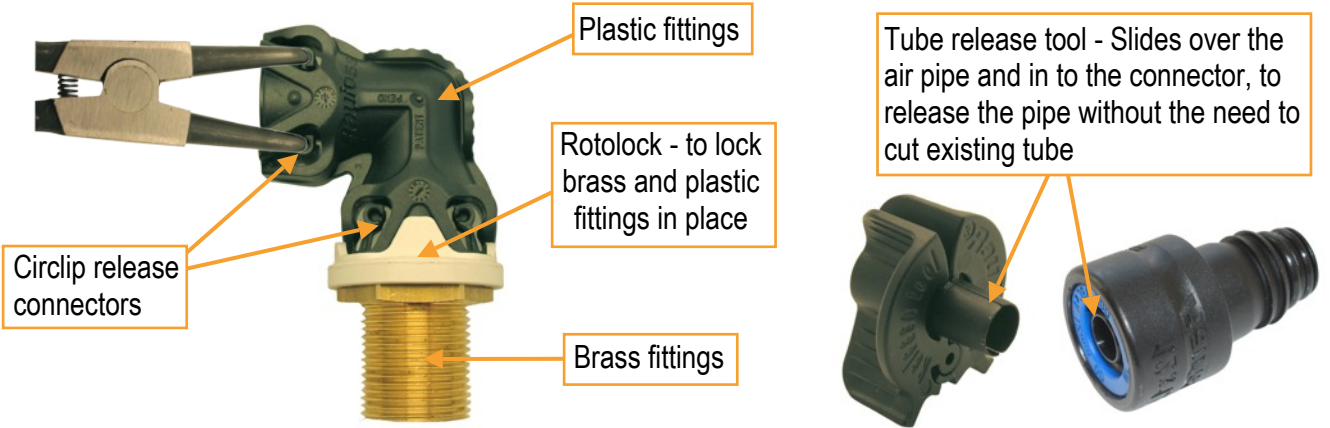
Notes:

# Air Brake Fittings - Raufoss New Line

## Raufoss New Line Fittings

These new couplings are fitted to both truck and trailer. Designed for quick and easy application with the ability to re-use both the fittings and air pipe, the connectors come in three sizes and suit the following tubes:

- Small - 6mm OD - 4mm ID / 8mm OD - 6mm ID
- Medium - 6mm OD - 4mm ID to 12mm OD - 9mm ID
- Large - 12mm OD - 9mm ID / 15mm OD - 12mm ID / 16mm OD - 12mm ID



Air Brake

### Three Way Threadless Coupling



Part No.	Size
ST10078210	Medium
Notes:	

### F Type Coupling



Part No.	Size
ST10078211	Medium
Notes:	

### Elbow 90 Deg



Part No.	Size
ST10078212	Medium
Notes:	

### Elbow 45 Deg



Part No.	Size
ST10078213	Medium
Notes:	

### Four Way Coupling



Part No.	Size
ST10078214	Medium
Notes:	

### Cross Coupling



Part No.	Size
ST10078215	Medium
Notes:	

# Air Brake Fittings - Raufoss New Line

Y Type Coupling



Part No.	Size
ST10078216	Medium

Notes:

T Type Coupling



Part No.	Size
ST10078217	Medium

Notes:

Threadless Adaptor



Part No.	Size	Tube
ST10078201	Medium	Medium

Notes:

Integral 90 Deg Elbow



Part No.	Size	Tube
ST10078202	Small	6 x 1
ST10078203	Medium	6 x 1
ST10078204	Medium	8 x 1
ST10078205	Medium	12 x 1.5
ST10078206	Large	16 x 2

Notes:

Threadless Coupling



Part No.	Size	Tube
ST10078207	Medium	6 x 1
ST10078208	Medium	8 x 1
ST10078209	Medium	12 x 1.5

Notes:

Rotolock



Part No.	Size	Spanner
ST10078219	Medium	22mm
ST10078220	Medium	28mm

Notes:

Tube Release Tool



Part No.	OD Tube Size
ST10078221	6mm
ST10078222	8mm
ST10078223	10mm
ST10078224	12mm
ST10078225	15mm
ST10078226	16mm

Notes:

Test Point



Part No.	Size
ST10078218	Medium

Notes:

Bulk Head Swivel Coupling



Part No.	Size	F Thread	M Thread
ST10078193	Medium	M16 x 1.5	M22 x 1.5

Notes:

Bulk Head Swivel Coupling



Part No.	Size	Thread
ST10078199	Medium	M18 x 1.5

Notes:

Bulk Head Swivel Coupling



Part No.	Size	M Thread	M Thread
ST10078200	Medium	M22 x 1.5	M22 x 1.5

Notes:

# Air Brake Fittings - Raufoss New Line

## Male Stud Swivel Coupling



Part No.	Size	Thread
ST10078194	Small	M12 x 1.5
ST10078195	Medium	M12 x 1.5
ST10078196	Medium	M16 x 1.5
ST10078197	Medium	M22 x 1.5
ST10078198	Large	M22 x 1.5

Notes:

## Male Stud Coupling - Long



Part No.	Thread	Tube
ST10078181	M12 x 1.5	6 x 1
ST10078182	M12 x 1.5	8 x 1
ST10078183	M16 x 1.5	10 x 1.25
ST10078184	M16 x 1.5	12 x 1.5
ST10078185	M22 x 1.5	15 x 1.5
ST10078186	M22 x 1.5	16 x 2

Notes:

## Male Stud Coupling - Short



Part No.	Thread	Tube
ST10078187	M12 x 1.5	6 x 1
ST10078188	M12 x 1.5	8 x 1
ST10078189	M16 x 1.5	10 x 1.25
ST10078190	M16 x 1.5	12 x 1.5
ST10078191	M22 x 1.5	15 x 1.5
ST10078192	M22 x 1.5	16 x 2

Notes:

# Air Brake Fittings - Norgren Push-In Fittings

## Straight Connector



Part No.	Tube OD
ST10078915	6mm
ST10078916	8mm
ST10078917	9mm
ST10073718	10mm
ST10073722	12mm
ST10078918	16mm

Notes:

## Branch Stud Tee



Part No.	Thread	Tube OD
ST10077630	M16 x 1.5	10mm
ST10077090	M22 x 1.5	10mm

Notes:

## Push-in T Connector



Part No.	Tube OD
ST10078919	6mm
ST10078920	8mm
ST10077548	10mm
ST10078921	12mm

Notes:

## Elbow Stud



Part No.	Tube Size	Thread
ST10074625	6mm	1/8" BSP
ST10074623	8mm	1/8" BSP
ST10074622	6mm	1/4" BSP
ST10077559	12mm	1/4" BSP
ST10074624	8mm	1/2" BSP

Notes:

## Side Stud Tee



Part No.	Thread
ST10077754	M12 x 1.5
ST10077755	M16 x 1.5

Notes:

## Bulk Head Adaptor



Part No.	Tube OD
ST10071841	6mm

Notes:



# Air Brake Fittings - Norgren Push-In Fittings

## Straight Stud



Part No.	Tube Size	Thread
ST10077309	6mm	1/8" BSP
ST10077311	8mm	1/8" BSP
ST10077310	6mm	1/4" BSP
ST10077312	8mm	1/4" BSP

Notes:

## Stud Elbow Connector



Part No.	Thread	Tube OD
ST10077695	M12 x 1.5	6mm
ST10077696	M12 x 1.5	8mm
ST10077259	M16 x 1.5	8mm
ST10074070	M22 x 1.5	8mm
ST10077629	M12 x 1.5	10mm
ST10077258	M16 x 1.5	10mm
ST10077688	M22 x 1.5	10mm
ST10077260	M16 x 1.5	12mm
ST10078929	M22 x 1.5	12mm
ST10077693	M22 x 1.5	16mm

Notes:

## Straight Stud Connector



Part No.	Thread	Tube
ST10078922	M12 x 1.5	6mm
ST10078923	M16 x 1.5	6mm
ST10078924	M12 x 1.5	8mm
ST10078925	M16 x 1.5	8mm
ST10078926	M22 x 1.5	8mm
ST10078927	M12 x 1.5	10mm
ST10077261	M14 x 1.6	10mm
ST10073063	M16 x 1.5	10mm
ST10077262	M22 x 1.5	10mm
ST10077263	M16 x 1.5	12mm
ST10077264	M22 x 1.5	12mm
ST10078928	M22 x 1.5	15mm
ST10077612	M22 x 1.5	16mm

Notes:

## Branch Stud Tee



Part No.	Thread
ST10077752	M12 x 1.5
ST10077753	M16 x 1.5

Notes:

Air Brake

## Air Brake Fittings - Voss 232 & 240

### O Ring



Part No.	Thread
ST10073040	M12 x 1.5
ST10073041	M16 x 1.5

Notes: For use with lock nut

### Lock Nut



Part No.	Thread
ST10073038	M12 x 1.5
ST10073039	M16 x 1.5

Notes:

### Male Nut



Part No.	Type	Thread
ST10073977	NG8	M16 x 1.5

Notes:

# Air Brake Fittings Raufoss

## Bulkhead Adaptor



Part No.	Thread 1	Thread 2	Thread 3
ST10076929	M22 x 1.5	M22 x 1.5	M16 x 1.5
ST10072940	M22 x 1.5	M16 x 1.5	M10 x 1

Notes:

## Lock Nut & O Ring



Part No.	Thread
ST10077568	M12 x 1.5
ST10077600	M16 x 1.5

Notes:

## Straight Stud Connector



Part No.	Thread	Tube Size
ST10074146	M12 x 1.5	6 x 1
ST10074147	M16 x 1.5	6 x 1
ST10074148	M12 x 1.5	8 x 1
ST10073513	M16 x 1.5	8 x 1
ST10073514	M12 x 1.5	10 x 1
ST10073515	M16 x 1.5	10 x 1
ST10071985	M22 X 1.5	10 x 1
ST10078849	M12 x 1.5	10 x 1.5
ST10079015	M16 x 1.5	10 x 1.5
ST10077042	M22 x 1.5	10 x 1.5
ST10073379	M12 x 1.5	12 x 1.5
ST10073518	M14 x 1.5	12 x 1.5
ST10072094	M16 x 1.5	12 x 1.5
ST10074149	M16 x 1.5	16 x 2
ST10077648	M22 X 1.5	16 x 2
ST10076583	M26 x 1.5	18 x 2

Notes:

## Elbow Adaptor



Part No.	Thread Size
ST10073335	M16 x 1.5

Notes:

## Tee Connector



Part No.	Thread
ST10073054	M16 X 1.5

Notes:

## Elbow Adaptor



Part No.	Thread 1	Thread 2	Thread 3
ST10077566	M16 x 1.5	M16 x 1.5	N/A
ST10071986	M16 x 1.5	M22 x 1.5	M16 x 1.5

Notes:

## Elbow Adaptor



Part No.	Thread 1	Thread 2
ST10077567	M12 x 1.5	M12 x 1.5
ST10074768	M16 x 1.5	M16 x 1.5
ST10074769	M16 x 1.5	M22 x 1.5

Notes:

## Equal Tee



Part No.	Thread
ST10077945	M12 x 1.5
ST10073382	M16 x 1.5

Notes:

# Air Brake Fittings Raufoss

Adaptor Swivel Thread



Part No.	M Thread	Swivel
ST10078856	M16 x 1.5	P5

Notes:

4 - Way Adaptor Swivel Thread



Part No.	F Thread	Swivel
ST10076520	M16 x 1.5	P5

Notes:

Cross Adaptor Swivel Thread



Part No.	F Thread	Swivel
ST10078855	M16 x 1.5	P5

Notes:

Tee Adaptor On Run Swivel Thread



Part No.	F Thread	Swivel
ST10074024	M12 x 1.5	P5
ST10072063	M16 x 1.5	P5

Notes:

Tee Adaptor Centre Swivel Thread



Part No.	F Thread	Swivel
ST10078852	M12 x 1.5	P5
ST10072062	M16 x 1.5	P5

Notes:

Elbow 45 Deg Swivel Thread



Part No.	F Thread	Swivel
ST10078851	M16 x 1.5	P5

Notes:

Adaptor Swivel Thread, Dodecahedron



Part No.	M Thread	Swivel
ST10078857	M16 x 1.5	P5
ST10078858	M22 x 1.5	P5

Notes:

Elbow 90 Deg Swivel Thread



Part No.	F Thread	Swivel
ST10074028	M12 x 1.5	P5
ST10079014	M16 x 1.5	P5

Notes:

Straight Swivel Adaptor



Part No.	M Thread	Swivel
ST10078859	M10 x 1.0	P5
ST10076521	M12 x 1.5	P5
ST10078860	M14 x 1.5	P5
ST10072059	M16 x 1.5	P5
ST10079013	M22 x 1.5	P5

Notes:

# Air Brake Fittings Raufoss

## F Fitting



P5

Part No.	Threads	Swivel
ST10078865	M16	P5

Notes:

## 3 - Way Adaptor Swivel Thread



P5

Part No.	F Thread	Swivel
ST10078853	M16 x 1.5	P5

Notes:

## Swivel Elbow Adaptors



P5

Part No.	Tube OD	Swivel
ST10074745	6 x 1	P5
ST10073520	8 x 1	P5
ST10078850	10 x 1.25	P5
ST10073521	10 x 1.5	P5
ST10073522	12 x 1.5	P5

Notes:

## Swivel Hose Tail



Part No.	Tube ID	Swivel
ST10078863	11mm	P5
ST10078864	13mm	P5

Notes:

## 4 - Way Adaptor Swivel Thread

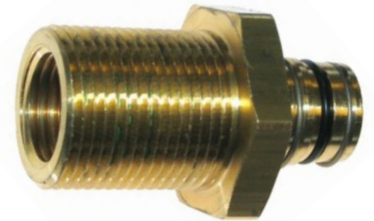


P5

Part No.	F Thread	Swivel
ST10078854	M16 x 1.5	P5

Notes:

## Straight Swivel Bulkhead Adaptor P5



Part No.	F Thread	M Thread
ST10078861	M16	M22
ST10078862	3/8"	M22

Notes:

## Threaded Adaptor & O Ring



Part No.	M Thread	F Thread
ST10072499	M16 x 1.5	M12 x 1.5
ST10072498	M16 x 1.5	1/4 NPTF

Notes:

# Air Brake Fittings WIRA

## Tee Connector



Part No.	Tube OD
ST10072740	6mm
ST10072741	8mm
ST10072742	10mm
ST10072743	12mm

Notes:

## Stem Elbow Adaptor



Part No.	Stem OD	Tube OD
ST10073289	8mm	8mm
ST10072345	10mm	10mm
ST10073291	12mm	12mm

Notes:

## 90 Deg Elbow



Part No.	Tube OD
ST10072811	12mm

Notes:

## Branch Stem Tee



Part No.	Stem OD	Tube OD
ST10073298	8mm	8mm
ST10073292	10mm	10mm
ST10073299	12mm	12mm

Notes:

## Branch Tee



Part No.	Thread	Tube OD
ST10073044	8mm	8mm

Notes:

## Tube Nut



Part No.	Tube OD
ST10077494	10mm
ST10072147	12mm

Notes:

## Push In Fitting



Part No.	Thread	Tube OD
ST10074973	M14 x 1.5	8 x 1.5mm
ST10074975	M16 x 1.5	10 x 1.25mm
ST10073349	M18 x 1.5	12 x 1.5mm
ST10074953	M26 x 1.5	18 x 2mm

Notes:

## Straight Stud



Part No.	Thread	Tube OD
ST10074971	M16 x 1.5	8 x 1mm
ST10074970	M16 x 1.5	10 x 1.25mm
ST10071562	M22 x 1.5	10 x 1.25mm
ST10074972	M18 x 1.5	12 x 1.5mm

Notes:

## Bulk Head Coupling



Part No.	ID Thread	OD Thread
ST10073589	1/2" BSP	12mm

Notes:

# Air Brake Fittings WIRA

## Cutting Ring



Part No.	Tube OD
ST10078952	6mm
ST10078953	8mm
ST10073046	10mm
ST10078954	12mm
ST10078955	15mm
ST10078956	16mm
ST10076909	18mm

Notes:

## Thrust Ring & Nitrile O Ring



Part No.	Thread
ST10077447	M10
ST10071548	M12
ST10071549	M14
ST10071550	M16
ST10071551	M22

Notes:

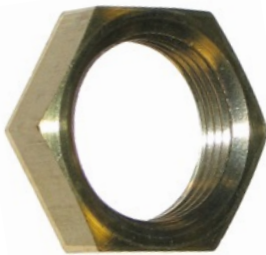
## Copper Seal



Part No.	Thread
ST10078943	M10
ST10078944	M12
ST10078945	M14
ST10078946	M16
ST10078947	M18
ST10078948	M22

Notes:

## Lock Nut



Part No.	Thread
ST10078949	M12 x 1.5
ST10072114	M16 x 1.5
ST10078950	M18 x 1.5
ST10078951	M22 x 1.5

Notes:

## Male Brake Pipe Nut



Part No.	M Thread	Tube OD
ST10078984	M10 X 1	3/16"
ST10078985	M12 X 1	3/16"
ST10078986	M12 X 1	1/4"

Notes:

## Steel Adaptor - Male to Female



Part No.	Male Thread	Female Thread
ST10078932	1/4 BSP	M12 x 1.5
ST10073620	1/4 BSP	M16 x 1.5
ST10078935	1/4 BSP	M22 x 1.5
ST10078933	1/4 BSP	3/8 BSP
ST10073048	3/8 BSP	M16 x 1.5
ST10078940	3/8 BSP	M22 x 1.5
ST10072806	1/2 BSP	M16 x 1.5
ST10073042	1/2 BSP	M18 x 1.5
ST10078936	1/2 BSP	M22 x 1.5
ST10078930	M12 x 1.5	1/4 BSP
ST10077631	M12 x 1.5	M16 x 1.5
ST10078960	M12 x 1.5	M22 x 1.5
ST10078931	M14 x 1.5	M16 x 1.5
ST10078961	M14 x 1.5	M22 x 1.5
ST10072306	M16 x 1.5	1/4 BSP
ST10078938	M16 x 1.5	3/8 BSP
ST10078939	M16 x 1.5	1/2 BSP
ST10073045	M16 x 1.5	M16 x 1.5
ST10071452	M16 x 1.5	M22 x 1.5
ST10078937	M22 x 1.5	1/2 BSP

Notes:

## Female Brake Pipe Nut



Part No.	Thread	Tube OD
ST10078988	M12 x 1.5	1/4"
ST10078987	M10 x 1.5	3/16"

Notes:

## Steel Socket



Part No.	Thread	Thread
ST10078957	M16 x 1.5	M12 x 1.5
ST10077307	M16 x 1.5	M16 x 1.5
ST10078959	M22 x 1.5	3/8 BSP
ST10078934	M22 x 1.5	1/2 BSP
ST10078958	M22 x 1.5	M16 x 1.5
ST10077308	M22 x 1.5	M22 x 1.5

Notes:

# Air Brake Fittings WIRA

## Straight Stud Connector



Part No.	Thread	Tube OD
ST10078962	M12 x 1.5	6mm
ST10078963	M12 x 1.5	8mm
ST10073287	M16 x 1.5	8mm
ST10072805	M22 x 1.5	8mm
ST10072333	M12 x 1.5	10mm
ST10073052	M16 x 1.5	10mm
ST10072582	M22 x 1.5	10mm
ST10072809	M12 x 1.5	12mm
ST10072738	M16 x 1.5	12mm
ST10072739	M22 x 1.5	12mm
ST10078964	M12 x 1.5	15mm
ST10078965	M16 x 1.5	15mm
ST10078966	M22 x 1.5	15mm
ST10077174	M22 x 1.5	16mm
ST10072810	M22 x 1.5	18mm

Notes:

## Hose Tail



Part No.	Thread	Tube ID
ST10078976	M16 x 1.5	11mm
ST10072004	M16 x 1.5	13mm
ST10073307	M22 x 1.5	13mm
ST10072832	M16 x 1.5	3/8

Notes:

## Straight Connector



Part No.	Tube OD
ST10078967	6mm
ST10078968	8mm
ST10073340	10mm
ST10078969	12mm
ST10078970	15mm
ST10078971	16mm
ST10078972	18mm

Notes:

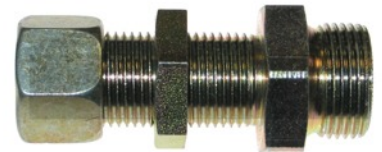
## Bulk Head Elbow



Part No.	Thread	Tube OD
ST10073050	M12 x 1.5	8mm
ST10073043	M22 x 1.5	8mm
ST10078977	M12 x 1.5	10mm
ST10072585	M16 x 1.5	10mm
ST10072584	M22 x 1.5	10mm
ST10072813	M16 x 1.5	12mm
ST10078978	M22 x 1.5	12mm
ST10078979	M22 x 1.5	15mm
ST10078980	M22 x 1.5	16mm

Notes:

## Bulkhead Adaptor



Part No.	Thread	Tube OD
ST10078973	M16 x 1.5	10mm
ST10071627	M22 x 1.5	8mm
ST10072583	M22 x 1.5	10mm
ST10078974	M22 x 1.5	12mm
ST10078975	M22 x 1.5	15mm

Notes:

## Hexagon Nipple



Part No.	Thread	Thread
ST10073383	M16 x 1.5	M16 x 1.5
ST10076481	M16 x 1.5	M22 x 1.5
ST10074994	M22 x 1.5	M22 x 1.5

Notes:

## Elbow Connector



Part No.	M Thread	F Thread
ST10073384	M16 x 1.5	M16 x 1.5
ST10078981	M22 x 1.5	M22 x 1.5

Notes:

# Air Brake Fittings WIRA

## Barrel Olive



Part No.	Tube OD
ST10078886	4mm
ST10078887	6mm
ST10078888	8mm
ST10078889	10mm
ST10078890	12mm
ST10078891	15mm
ST10078892	16mm
ST10078873	1/8"
ST10078874	3/16"
ST10078875	1/4"
ST10078876	5/16"
ST10078877	1/2"
ST10078878	5/8"

Notes:

## Stepped Olive



Part No.	Tube OD
ST10078879	4mm
ST10078893	5mm
ST10078880	6mm
ST10078881	8mm
ST10078882	10mm
ST10078883	12mm
ST10078884	15mm
ST10078885	16mm
ST10078866	1/8"
ST10078867	3/16"
ST10078868	1/4"
ST10078869	5/16"
ST10078870	3/8"
ST10078871	1/2"
ST10078872	5/8"

Notes:

## Straight Connector



Part No.	Tube OD
ST10073918	4mm
ST10078907	5mm
ST10073919	6mm
ST10077738	8mm
ST10078908	9mm
ST10077739	10mm
ST10078906	11mm
ST10078909	12mm
ST10078910	14mm
ST10078911	15mm
ST10078912	16mm
ST10078900	1/8"
ST10073036	5/32"
ST10073111	3/16"
ST10078901	1/4"
ST10078902	5/16"
ST10078903	3/8"
ST10078904	1/2"
ST10078905	5/8"

Notes:

## Adapter Swivel Thread



Part No.	M Thread	F Thread
ST10078913	3/8" BSP	1/4" BSP
ST10078914	1/2" BSP	1/4" BSP

Notes:

## Tube Support



Part No.	Tube OD
ST10078894	4mm
ST10078895	6mm
ST10078896	7mm
ST10072299	7.5mm
ST10078897	8mm
ST10078898	9mm
ST10077493	10mm
ST10078899	12mm
ST10076908	18mm

Notes:

## Blanking Plug



Part No.	Thread
ST10073049	M10 x 1.5
ST10071683	M12 x 1.5
ST10078941	M14 x 1.5
ST10072578	M16 x 1.5
ST10078942	M18 x 1.5
ST10072579	M22 x 1.5

Notes:

## Tapered Blanking Plug



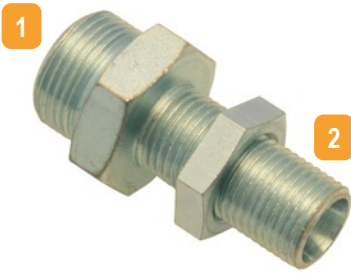
Part No.	Thread
ST10073037	1/4" BSPT
ST10077416	1/2" BSPT

Notes:



# Air Brake Fittings WIRA, Test Points, Hose Tails & Shut off Taps

**Bulk Head Adaptor**



Part No.	Thread 1	Thread 2
ST10076482	M22 x 1.5	M16 x 1.5
ST10072941	M22 x 1.5	M22 x 1.5
ST10074004	1/2" BSP	M22 x 1.5
ST10076481	M16 x 1.5	M16 x 1.5

Notes:

**Male to Female Adaptor**



Part No.	F Thread	M Thread
ST10072497	1/4" BSP	M22 x 1.5
ST10072496	3/8" BSP	M22 x 1.5
ST10073630	M16 x 1.5	M22 x 1.5
ST10072500	M12 x 1.5	M22 x 1.5

Notes:

**Hose Tail Male**



Part No.	Thread	Tube ID
ST10074018	1/4" BSP	3/8"
ST10074019	1/4" BSP	1/2"

Notes:

**Test Point Male**



Part No.	Thread
ST10078982	M12 x 1.5
ST10078983	M16 x 1.5
ST10072240	M22 x 1.5

Notes:

**Test Point - Female**



Part No.	Thread
ST10072360	12 x 1.5mm

Notes:

**Drain Tap**



Part No.	Thread
ST10079127	M22 x 1.5

Notes:

**Drain Tap with 6ft Cable**



Part No.	Thread
ST10072358	M22 x 1.5

Notes:

**Drain Tap & Cable**



Part No.	Thread
ST10072838	1/4" NPTF
ST10077202	1/2" NPTF

Notes:

**Shut Off Tap**



Part No.	Thread
ST10072803	1/4" NPTF
ST10073891	1/4" BSP

Notes:

# Industrial Air Line Fittings

**Straight Push-in Connector**



Part No.	Tube OD
ST10071436	4mm
ST10073056	6mm
ST10071438	8mm
ST10071440	10mm
ST10071441	12mm
ST10078842	16mm

Notes:

**Elbow 90 Deg Push-in Connector**



Part No.	Tube OD
ST10078843	4mm
ST10078844	6mm
ST10078845	8mm
ST10078846	10mm
ST10078847	12mm
ST10078848	16mm

Notes:

**Elbow 90 Deg Push-in Connector**



Part No.	Tube OD
ST10072736	4mm
ST10073060	6mm
ST10073061	8mm
ST10077734	10mm
ST10073062	12mm

Notes:

**Swivel Elbow**



Part No.	Tube OD	Thread BSP
ST10077304	4mm	1/8"
ST10077029	6mm	1/4"
ST10074143	8mm	1/4"
ST10077306	12mm	3/8"

Notes:

**Stem Reducer**



Part No.	Stem Size	Tube OD
ST10071453	6mm	4mm
ST10072744	8mm	6mm
ST10072745	8mm	10mm

Notes:

**Plug**



Part No.	Tube OD
ST10073791	4mm
ST10073792	5mm
ST10073793	6mm
ST10073794	8mm
ST10073795	10mm
ST10074763	12mm

Notes:

**Straight Connector**



Part No.	Tube OD
ST10071437	5mm
ST10071439	8mm

Notes:

**Straight Reducer**



Part No.	Tube Size	Tube Size
ST10073034	6mm	4mm
ST10073035	8mm	6mm
ST10074144	10mm	6mm
ST10074145	10mm	8mm

Notes:

**Y Connector**



Part No.	Tube OD
ST10076507	8mm

Notes:

# Industrial Air Line Fittings

Stem Elbow



Part No.	Tube Size
ST10076495	6mm

Notes:

Swivel Elbow



Part No.	Tube Size	Thread BSP
ST10077305	5mm	1/8"

Notes:

Equal Tee



Part No.	Tube OD
ST10071553	4mm
ST10072315	5mm
ST10071555	6mm
ST10071556	8mm
ST10071557	10mm
ST10071558	12mm

Notes:

Swivel Stud



Part No.	Tube Size	Thread BSP
ST10072891	4mm	1/8"
ST10072892	5mm	1/8"
ST10072893	5mm	1/4"
ST10072894	6mm	1/8"
ST10072895	6mm	1/4"
ST10072896	6mm	3/8"
ST10074141	8mm	1/4"
ST10074142	10mm	3/8"

Notes:

Straight Stud



Part No.	Tube Size	Thread BSP
ST10072897	4mm	1/8"
ST10072898	5mm	1/8"
ST10072899	5mm	1/4"
ST10072900	6mm	1/8"
ST10072901	6mm	1/4"

Notes:

# Knorr Bremse Components

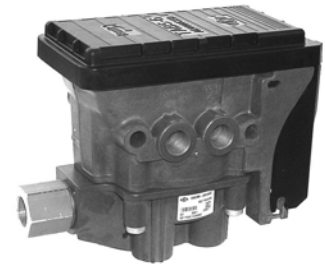
## TEBS G2-1 Trailer Brake Modules (Manufactured 2010 onwards)



**A - Brake Module**



**B - Electro-Pneumatic Module (Standard)**



**C - Electro-Pneumatic Module (Premium)**

Part No.	OEM Ref	Type	P28	Modulators	Replaces OEM Part Numbers
(A) ST10077717	K019319B90	KB319G2	Pneumatic Signal	2	K019310 (ES2060)
			Test Point Port		K019312 (ES2060)
					K019350 (ES2060)
					K019352 (ES2060)
					K019359 (ES2060)
Part No.	OEM Ref	Type	Ports		
(B) ST10079067	K021940V00N00	ES2070	Ports 1, 2, 21 M22 x 1.5, Port 4 M16 x 1.5		
(C) ST10079068	K027900V00N00	ES2071	Ports 1, 2, 21 M22 x 1.5, Port 4, 42 M16 x 1.5		

Notes: Replacement Silencer Part No. K000847K50 (ST10079128)

(A) Up to 4 sensors & 2 modulators, With built in RE Functionality, Includes auxiliary support on port 28, For use on trailers with up to 3 axles, requires programming

(B) EMS (Standard third modulator and additional 2 sensors, for use with brake module for draw bar trailers or semi trailers with 3 axles or with steering axle)

(C) EMP (Premium third modulator, same function as EMS, but with load sensing signal and capability for controlling auxiliary functions)

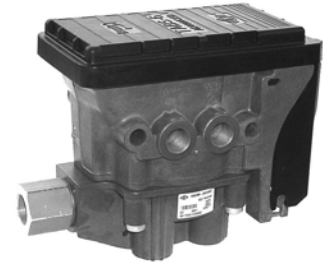
## TEBS G2 Trailer Brake Module (Manufactured 2008 - 2010)



**A - Brake Module**



**B - Electro-Pneumatic Module (Standard)**



**C - Electro-Pneumatic Module (Premium)**

Part No.	OEM Ref	Type	P28	Modulators	Replaces OEM Part Numbers
(A) ST10077904	K019309B90	KB309G2	Pneumatic Signal	2	K019300 (ES2060)
			Test Point Port		K019302 (ES2060)
					K019309 (ES2060)
					K019340 (ES2060)
					K019342 (ES2060)
Part No.	OEM Ref	Type	Ports		
(B) ST10079067	K021940V00N00	ES2070	Ports 1, 2, 21 M22 x 1.5, Port 4 M16 x 1.5		
(C) ST10079068	K027900V00N00	ES2071	Ports 1, 2, 21 M22 x 1.5, Port 4, 42 M16 x 1.5		

Notes: Replacement Silencer Part No. K000847K50 (ST10079128)

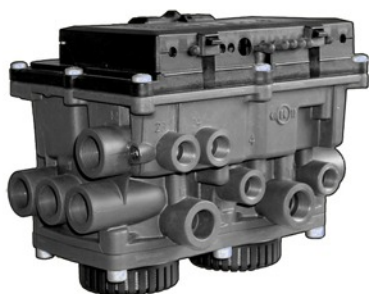
(A) Up to 4 sensors & 2 modulators, With built in RE Functionality, Includes auxiliary support on port 28, For use on trailers with up to 3 axles, requires programming

(B) EMS (Standard third modulator and additional 2 sensors, for use with brake module for draw bar trailers or semi trailers with 3 axles or with steering axle)

(C) EMP (Premium third modulator, same function as EMS, but with load sensing signal and capability for controlling auxiliary functions)

# Knorr Bremse Components

## TEBS 4 (Manufactured 2001 - 2007)



**A - Brake Module**



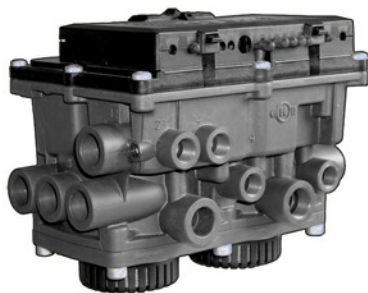
**B - ABS Relay Modulator (Single)**

Part No.	OEM Ref	Type	Din Bayonet	Modulators	Sensors	RSP	Replaces OEM Part Numbers
(A) ST10071320	II39798	ES2050	No	2	2 - 4	No	No longer available replaced by ST10071321
(A) ST10071321	II39782PG	ES2053	No	2 - 3	2 - 4	Yes	
Part No.	OEM Ref	Type	Din Bayonet	Modulators			Ports
(B) SC2121829	II37091N00	BR9234	Yes	1	2		Ports 1, 2 M22 x 1.5, Port 4 M16 x 1.5

Notes: (A) Up to 4 sensors & 2 modulators, Includes roll stability program (RSP)

(B) ABS Relay Modulator is used with the brake module to make 3 Modulators for use on draw bars and semi trailers or to control steering axle

## KB4TA Retro fit kit (Introduced in 2009 to replace the A18)



**A - Brake Module**



**B - ABS Relay Modulator (Single)**

Part No.	OEM Ref	Type	Din Bayonet	Modulators	Sensors	PEM	Replaces OEM Part Numbers
(A) ST10079069	K023164B90	ES1305	No	2	2	No	
Part No.	OEM Ref	Type	Din Bayonet	Modulators			Ports
(B) SC2121829	II37091N00	BR9234	Yes	1	2		Ports 1, 2 M22 x 1.5, Port 4 M16 x 1.5

Notes: (A) Up to 2 sensors & 2 modulators

(B) ABS Relay Modulator is used with the brake module to make 3 Modulators for use on draw bars and semi trailers or to control steering axle

# Knorr Bremse Components

## Lift Axle Control Valve



Part No.	OEM Ref	Ports	control circuits	Manual Raise Automatic Lower	Automatic Raise Automatic Lower	Temporary Raise of Laden Axle Manual Lower of Unladen Axle
SC2121666	LS1500	Push-in 8mm	2	Yes	No	
ST10072447	LS1500-10	Push-in 10mm	2	Yes	No	
SC2121667	LS2000	Push-in 8mm	2	No	Yes	Option
ST10079070	LS2000-10	Push-in 10mm	2	No	Yes	Option
ST10079071	LS3000	Push-in 8mm	1	No	Yes	Option

### Lift Axle Valve



Part No.	OEM Ref	Type
SC2121683	K017224N00	AE1141

Notes: 7 ports / 8mm push-in  
With air control port / Air operated  
Used on TEBS G2 systems

### Lift Axle Valve



Part No.	OEM Ref	Type
SC2121664	K015384N00	AE1141

Notes: 6 ports / 8mm push-in  
24v solenoid with DIN Bayonet connection /  
Electrical Control  
Used on TEBS G2 systems

### Lift Axle Valve



Part No.	OEM Ref	Type
SC2121663	K035570N00	AE1141

Notes: All ports M16 x 1.5  
24v solenoid with DIN Bayonet connection /  
Electrical Control  
Used on TEBS4 systems

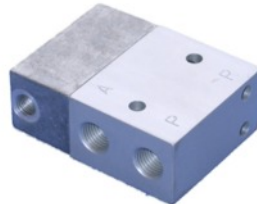
### Solenoid Kit



Part No.	OEM Ref	Type
ST10079072	K016334K50	24v

Notes: Solenoid kit for SC2121664 K015384N00 and  
SC2121663 K035570N00 only

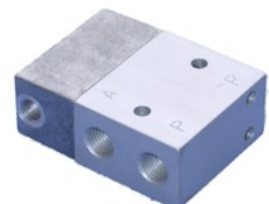
### 3/2 Control Valve



Part No.	OEM Ref	Type
ST10079076	I30092	WKV-2I30092

Notes: Ports 1 - 3 M14 x 1.5, Ports 4 M10 x 1.5  
Temp 0 - 80 Deg, Pressure 2 - 10 Bar  
Normally open

### 3/2 Control Valve



Part No.	OEM Ref	Type
ST10079077	I30093	WKV-2I30093

Notes: Ports 1 - 3 1/4", Ports 4 1/8"  
Temp 0 - 80 Deg, Pressure 2 - 10 Bar  
Normally open

### 3/2 Control Valve



Part No.	OEM Ref
ST10079073	1194130

Notes: Ports 1 - 3 M14 x 1.5, Ports 4 M10 x 1.5  
Temp 0 - 80 Deg, Pressure 2 - 10 Bar  
Normally closed

### 3/2 Control Valve



Part No.	OEM Ref
ST10079074	1194131

Notes: Ports 1 - 3 1/4", Ports 4 1/8"  
Temp 0 - 80 Deg, Pressure 2 - 10 Bar  
Normally closed

### 3/2 Control Valve



Part No.	OEM Ref
ST10079075	1194132

Notes: Ports 1 - 3 1/4"  
Electrical Control / Normally closed  
Temp 0 - 80 Deg, Pressure 2 - 10 Bar

# Knorr Bremse Components

## 2 Way Quick Release Valve



Part No.	Part No.	Port 1	Port 2	Port 3
ST10079078	KX1294/1	M22 x 1.5	M16 x 1.5	M16 x 1.5
ST10079079	KX1294/2	M16 x 1.5	M16 x 1.5	M16 x 1.5
ST10071178	KX1294/4	M22 x 1.5	M16 x 1.5	M16 x 1.5
ST10072077	KX2000/1	M22 x 1.5	M22 x 1.5	M22 x 1.5
ST10072502	KX2196/1	M22 x 1.5	M16 x 1.5	M16 x 1.5
ST10079080	KX2552/3	M22 x 1.5	M16 x 1.5	M16 x 1.5
ST10073942	274999	1/2" NPTF	3/8" NPTF	3/8" NPTF

Notes:

## 4 Way Quick Release Valve



Part No.	OEM Ref
ST10079081	1194339

Notes: Ports 1 & 2 M16 x 1.5, Port 3 M22 x 1.5

## Double Check Valve



Part No.	OEM Ref	Type
SC2121626	I40405	Shuttle Piston
ST10079129	I14911	Line Mount

Notes: All Ports M22 x 1.5

## Double Check Valve



Part No.	OEM Ref	Type
ST10071351	1111419000	Ball

Notes: All Ports M16x 1.5

## Double Check Valve



Part No.	OEM Ref	Type
ST10079082	295358	Shuttle Piston

Notes: All Ports M16 x 1.5, c/w mounting bracket

## Single Check Valve



Part No.	OEM Ref	Type
ST10079083	I75598	AE5115

Notes: All Ports M22x 1.5

## Single Check Valve



Part No.	OEM Ref	Ports
ST10079084	KW2966/1	1/2" NPTF

Notes:

## Single Check Valve



Part No.	OEM Ref	Ports
ST10079085	KW4455/1	M22 x 1.5

Notes:

AIR BRAKE

# Knorr Bremse Components

Levelling Valve



Part No.	OEM Ref	Type
SC2121657	II30531	SV1441

Notes: Ports M12 x 1.5, comes with lever  
Second ride height 12 deg

Levelling Valve



Part No.	OEM Ref	Type
SC2121654	I87823	SV1307

Notes: Ports M12 x 1.5, comes with lever

Levelling Valve



Part No.	OEM Ref	Type
SC2121655	II19425	SV1395

Notes: Ports M12 x 1.5, comes with lever

Levelling Valve



Part No.	OEM Ref	Type
ST10076667	II36114	SV1465

Notes: Ports 4, 11 & 21 M12 x 1.5, Ports 12 & 23 M16 x 1.5, comes with lever  
Second ride height 12 deg

Levelling Valve



Part No.	OEM Ref	Type
ST10074410	II36115	SV1466

Notes: Ports 11 & 21 M12 x 1.5, Ports 12 & 23 M16 x 1.5, comes with lever

Levelling Valve



Part No.	OEM Ref	Type
ST10074601	K002334	SV1351

Notes: Ports M12 x 1.5, comes with lever

Levelling Valve



Part No.	OEM Ref	Type
SC2121662	K000367	SV1485

Notes: Ports 4, 11 & 21 M12 x 1.5, Ports 12 & 23 M16 x 1.5, comes with lever  
Second ride height 10 deg

Levelling Valve



Part No.	OEM Ref	Type
SC2121658	II34910	SV1447

Notes: Ports M12 x 1.5, comes with lever  
Second ride height 17.5 deg

Levelling Valve



Part No.	OEM Ref	Type
SC2121659	II36088	SV1460

Notes: Ports M12 x 1.5, comes with lever

AIR BRAKE



# Knorr Bremse Components

## Linkage Kit



Part No.	OEM Ref	Type
ST10079086	II19099	ZB3130

Notes: 300mm Lever

## Linkage Kit



Part No.	OEM Ref
ST10079087	K001406

Notes:

## Linkage Kit



Part No.	OEM Ref	Type
ST10073100	SEB00256	ZB3117

Notes:

## Linkage Kit



Part No.	OEM Ref	Type
ST10079088	II19422	ZB3131

Notes: 300mm Lever

## LSV Single Axle Linkage Kit



Part No.	OEM Ref
ST10072037	KX1037/1

Notes:

## LSV Spring Arm Linkage Kit



Part No.	OEM Ref
ST10079089	KX1125/1

Notes:

AIR BRAKE

## Charging Valves



Part No.	OEM Ref	Type	Opening Pressure	Closing Pressure	Feedback
ST10071751	K000630	DR4256	6 Bar	5 Bar	Limited
SC2121601	K000644	DR4378	6 Bar	5.2 Bar	None
ST10073254	K000618	DR4155	6 Bar	5 Bar	Full

Notes: All Ports M22 x 1.5

# Knorr Bremse Components

## ABS Sensor Extension Cables



Part No.	OEM Ref	Type	Length
SC2121636	II367562000	EK3130	2m
SC2121637	II367563000	EK3130	3m
SC2121638	II367564000	EK3130	4m
SC2121639	II367565000	EK3130	5m
SC2121640	II367566000	EK3130	6m
SC2121635	II3675610000	EK3130	10m
ST10079090	II3675612000	EK3130	12m
ST10079091	II3675615000	EK3130	15m

Notes:

## Power Cable (Straight Socket Shown)



Part No.	OEM Ref	Socket	Length
ST10079092	K028491N00	Straight	0.5m
ST10079093	K008430N00	Straight	10m
SC2121681	K008431N00	Straight	13m
ST10079094	K028583N00	90 Deg	13m
ST10079095	K008432N00	90 Deg	16m

Notes: Notes: Application TEBS G2 & G2.1

## Power Supply Cable



Part No.	OEM Ref	Type	Length
ST10071756	II3674112000	EK3110	12m
ST10077275	II3674115000	EK3110	15m

Notes: Application TEBS4

## Connecting Cable



Part No.	OEM Ref	Length
SC2121613	K002274N00	2m
SC2121614	K002275N00	6.5m
SC2121615	K002276N00	10m

Notes: DIN bayonet / Deutsch terminals (no plug) used for lift axle or raise/lower valve control, Application TEBS, 4, G2, G2-1

## X2 Connecting Cable



Part No.	OEM Ref	Length
SC2121611	II397883	6m

Notes: DIN bayonet / 12 way (X2 plug) Deutsch connection, Used for lift axle or raise/lower valve control Application TEBS4 only

## X2Connecting Cable



Part No.	OEM Ref	Length
ST10079096	K021335N00	6.5m
ST10079097	K021345N00	7m

Notes: 12 way (X2 plug) Deutsch connection and open end, Used for lift axle or raise/lower valve control Application G2 & G2.1 only

## X2 Connector



Part No.	OEM Ref
ST10079098	K002287N00

Notes: Application TEBS4, TEBS G2, TEBS G2.1

## Connecting Cable



Part No.	OEM Ref	Type
SC2121865	0486000134000	0.5m 90 deg
SC2121866	0486000136000	1m 90 deg

Notes: comes with bush & grease

## X1 Connecting Cable (EK3100)



Part No.	OEM Ref	A	B	C
ST10079099	II367391	0.5m	4m	1m
ST10079100	II367395	0.5m	4m	12m
SC2121606	II367397	0.5m	6m	12m

Notes: Application TEBS4  
A = DIN bayonet to Deutsch, ISO7638 connection  
B = TIM / diagnostics K-Line cable with socket  
C = 24N (ISO1185) brake lamp supply cable

AIR BRAKE

# Knorr Bremse Components

Park / Shunt Valve



Part No.	OEM Ref	OEM Type
ST10077383	K025700N00	AE4370

Notes: Ports 8mm Push-in fittings x 5,  
Comes with integral charging valve.  
Information label part No. K056570N00  
Application: TEBS G2.1

Park / Shunt Valve



Part No.	OEM Ref	OEM Type
ST10079130	K025699N00	AE4371

Notes: Ports 8mm Push-in fittings x 7,  
comes with integral charging & front axle valves.  
Information label part No. K056570N00  
Application: TEBS G2.1

Park / Shunt Valve



Part No.	OEM Ref	OEM Type
SC2121605	K020123N00	AE4311

Notes: c/w push-in fittings 8mm & 12mm  
comes with integral emergency brake function &  
charging valve. Information label part No. Z006845  
Application: TEBS G2 & G2.1

Park / Shunt Valve



Part No.	OEM Ref	OEM Type
SC2121603	K015380N00	AE4311

Notes: Port 2 M22 X 1.5, all other ports M16 x 1.5  
comes with integral emergency brake function &  
charging valve. Information label part No. Z006845  
Application: TEBS G2 & G2.1

Park / Shunt Valve



Part No.	OEM Ref	OEM Type
SC2121604	K015849N00	AE4311

Notes: Port 2 M22 X 1.5, all other ports M16 x 1.5  
comes with integral emergency brake function.  
Information label part No. Z006845  
Application: TEBS 4 / TEBS G2 & G2.1

Park / Shunt Valve



Part No.	OEM Ref	OEM Type
ST10079101	II36125	AE4246

Notes: Ports 1 & 3 M22 x 1.5,  
all other ports M16 x 1.5,  
Without non-return valve  
C/w information plate & security pin

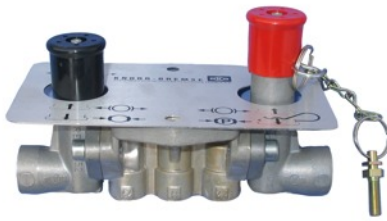
Park / Shunt Valve



Part No.	OEM Ref	OEM Type
ST10071175	II36129	AE4247

Notes: Ports 1 & 3 M22 x 1.5,  
all other ports M16 x 1.5,  
Without non-return valve  
C/w information plate & security pin

Park / Shunt Valve



Part No.	OEM Ref	OEM Type
SC2121602	II36131	AE4247

Notes: Ports 1 & 3 M22 x 1.5,  
all other ports M16 x 1.5,  
With non-return valve  
C/w information plate & security pin

In Line Filter



Part No.	OEM Ref	OEM Type
SC2121516	I99660	LA2103

Notes: Ports M22 x 1.5

AIR BRAKE

# Knorr Bremse Components

Relay Valve



Part No.	OEM Ref
<b>ST10078734</b>	<b>AC574AXY</b>

Notes: Port 1 M22 x 1.5, Port 2 M22 x 1.5, Port 4 M16 x 1.5, Ports 3 - Silencer

Relay Valve



Part No.	OEM Ref	OEM Type
<b>SC2121838</b>	<b>I76202</b>	<b>RE1121</b>

Notes: Port 1 M22 x 1.5, Port 2 M16 x 1.5, Port 3 M22 x 1.5, Ports 4 M16 x 1.5

Relay Valve



Part No.	OEM Ref	OEM Type
<b>ST10079102</b>	<b>I85168</b>	<b>RE1131</b>

Notes: Port 1 M22 x 1.5, Port 2 M22 x 1.5, Port 3 M22 x 1.5, Ports 4 M16 x 1.5

Relay Emergency Valve



Part No.	OEM Ref
<b>SC2121837</b>	<b>AS3100A</b>

Notes: Port 1-2 M22 x 1.5, Ports 1 & 4 M16 x 1.5 Port 2 3 x M16 x 1.5 & 4 x M22 x 1.5 with predominance 0.5 bar Comes with manoeuvring valve

Relay Emergency Valve



Part No.	OEM Ref
<b>ST10072816</b>	<b>AS3000A</b>

Notes: Ports 1, 1-2 & 4 M22 x 1.5 Port 2, 4 x M16 x 1.5 & 3 x M22 x 1.5 with predominance 0.5 bar

Relay Emergency Valve



Part No.	OEM Ref
<b>ST10071307</b>	<b>AS3050A</b>

Notes: Port 1-2 M22 x 1.5, Ports 1 & 4 M16 x 1.5 Port 2 4 x M16 x 1.5 & 3 x M22 x 1.5 without predominance

Relay Emergency Valve



Part No.	OEM Ref	OEM Type
<b>ST10079103</b>	<b>SEB00034</b>	<b>AS3250</b>

Notes: Port 1-2 M22 x 1.5, Ports 1 & 4 M16 x 1.5 Port 2 4 x M16 x 1.5 & 3 x M22 x 1.5 without predominance

Relay Emergency Valve



Part No.	OEM Ref	OEM Type
<b>ST10078735</b>	<b>SEB01162</b>	<b>AS3054</b>

Notes: Port 1-2 M22 x 1.5, Ports 1 & 4 M16 x 1.5 Port 2 4 x M16 x 1.5 & 3 x M22 x 1.5 without predominance

Relay Valve



Part No.	OEM Ref
<b>ST10073965</b>	<b>280375DK</b>

Notes: Port 1 1/2" NPTF, Port 2 3/8" NPTF, Port 3 exhaust flap, Ports 4 1/4" NPTF

RE6 Emergency Valve



Part No.	OEM Ref
<b>ST10079104</b>	<b>281865N</b>

Notes: Port 1 1/2" NPTF all other ports 1/4" NPTF without predominance

Relay Emergency Valve



Part No.	OEM Ref
<b>ST10079105</b>	<b>295199</b>

Notes: Supply M22 x 1.5, Delivery M16 x 1.5, Control M12 x 1.5

Pressure Protection Valve



Part No.	OEM Ref	Pressure
<b>ST10074479</b>	<b>277227DK</b>	<b>75 PSI</b>
<b>ST10074417</b>	<b>277148DK</b>	<b>85 PSI</b>

Notes: Ports 1/4" x 2

AIR BRAKE

# Knorr Bremse Components

Trailer Control Valve



Part No.	OEM Ref
ST10079106	AC599A

Notes: All Ports M22 x 1.5  
Predominance 0.2 bar

Raise/Lower Valve



Part No.	OEM Ref	OEM Type
ST10071940	K022847N00	SV3801

Notes: Speed pulse reset control  
24v solenoid operated / Din bayonet connection  
M16x1.5 ports (x2), M22x1.5 (x1)  
Application TEBS G2 & G2-1 only

Raise/Lower Valve



Part No.	OEM Ref	OEM Type
ST10071328	K054884N00	SV3273

Notes: reset control  
24v solenoid operated / Din bayonet connection  
M16x1.5 ports (x2), M22x1.5 (x1)  
Application TEBS 4, G2 & G2-1

Raise/Lower Valve



Part No.	OEM Ref	OEM Type
ST10074140	I86024	SV3115

Notes: Ports M16 x 1.5

Raise/Lower Valve



Part No.	OEM Ref	OEM Type
ST10071322	I83153	SV3111

Notes: Ports M16 x 1.5

Control Valve



Part No.	OEM Ref
ST10074134	VTP-1

Notes: Fittings 8mm PTC x 3  
Mainly used to control locking pins on sliding chassis

Height Limiting Valve



Part No.	OEM Ref	OEM Type
ST10074186	I60496	AE1103

Notes: Top Thread 8mm / Lower Thread 8mm  
Ports M12 x 1.5

Height Limiting Valve



Part No.	OEM Ref	OEM Type
ST10071305	I83425	AE1122

Notes: Top Thread 8mm  
Lower Thread 4.2mm Hole  
Ports M12 x 1.5

TIM Unit



Part No.	OEM Type
ST10077532	K009166V02N00

Notes:

AIR BRAKE

# Knorr Bremse Components

D 2 Governor



Part No.	OEM Ref	Cut Out	Ports
ST10079107	275508DK	7.6 Bar	1/8" NPTF
ST10079108	275491DK	8.3 Bar	1/8" NPTF
ST10079131	1189393000	7.9 Bar	M10
ST10079109	1189396	12 Bar	M10

Notes:

ABS Modulator Valve



Part No.	OEM Ref
ST10079110	II17776N00

Notes: All Ports M22 x 1.5  
DIN Connector

Low Pressure Indicator



Part No.	OEM Ref	Pressure
ST10079111	295473	4.1 Bar
ST10079112	295474	5.1 Bar
ST10079113	295476	5.4 Bar

Notes: Double Lucas Terminal, 1/4" NPTF

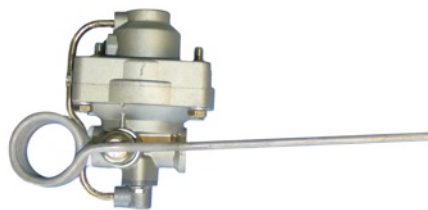
Stop Light Switch



Part No.	OEM Ref	Type
ST10079114	274746	0.3 Bar

Notes: Lucas terminals

Load Sensing Valve



Part No.	OEM Ref
ST10079115	KY8901

Notes: All Ports M22 x 1.5, For mechanical suspension

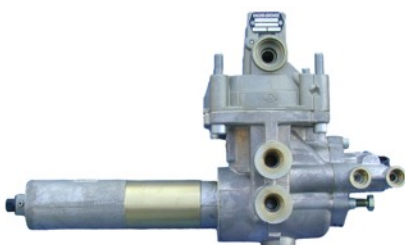
Load Sensing Valve



Part No.	OEM Ref
ST10079116	1111999000

Notes:

Load Sensing Valve



Part No.	OEM Ref	Type
SC2121668	II36836	BR5522

Notes:

Load Sensing Valve



Part No.	OEM Ref	Type
ST10074078	K037584N00	BR5504

Notes:

Load Sensing Valve



Part No.	OEM Ref	Type
ST10079118	SEB00658	BR5503

Notes:

AIR BRAKE

# Wabco Components

## Modulator



Part No.	OEM Ref	Type
SC2148775	480102040R	Standard
ST10079137	480102070R	Premium

Notes: Application TEBS E

## Pneumatic Extension Module (PEM)



Part No.	OEM Ref	Type
ST10079138	4615130100	PEM
SC2090306	4615139202	Repair Kit

Notes: Application TEBS E

## Modulator



Part No.	OEM Ref	Type
ST10074304	4801020100	Standard
ST10073847	4801020140	Premium

Notes: Application TEBD C & D

## ECU



Part No.	OEM Ref	Type
N/A	4461080450	(4S/2M - 2S/2M)
N/A	4461080350	(4S/3M - 2S/2M)

Notes: ECU no longer available please contact technical for the latest retro fit kits  
Application VCS

## ABS Double Relay Modulator



Part No.	OEM Ref	Type
SC1912337	4721950417	Recon
SC1934976	4721950410	New

Notes: Application VCS & Boxer Trailer

## ABS Single Relay Modulator



Part No.	OEM Ref
SC1912336	4721950317

Notes: Application VCS & Boxer Trailer

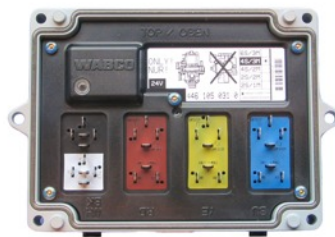
## Cable



Part No.	OEM Ref
SC1802092	8946011322

Notes: Application VCS & Boxer Trailer

## ECU



Part No.	OEM Ref	Type
N/A	4461050310	Boxer Trailer

Notes: ECU no longer available please contact technical for the latest retro fit kits  
Application Boxer Trailer

## ABS Relay Modulator



Part No.	OEM Ref	Type
SC1932574	4005000700	Standard
SC1932575	4005000810	Premium

Notes: Application VCSII

# Wabco Components

Smart Board



Part No.	OEM Ref	Type
SC1934677	4461921100	Standard
ST10079139	4461921110	GGVS / ADR

Notes: Smart Board Battery 4461929202 only for specialist workshops

EBS Axle Modulator



Part No.	OEM Ref	Ports
SC1935132	4801030420	M22 x 1.5

Notes:

EBS Relay Valve



Part No.	OEM Ref
SC1738467	4802070010

Notes:

ABS Sensor Straight



Part No.	OEM Ref	Length
SC1784590	4410329632	0.35m
SC1934574	4410329682	1.7m

Notes: With bush & grease

ABS Sensor 90 Deg



Part No.	OEM Ref	Length
SC1784588	4410329212	0.4m
SC1738458	4410329222	1m

Notes: With bush & grease

ABS Sensor Bush



Part No.	OEM Ref
SC1935377	8997605104

Notes:

Notes:

AIR BRAKE



## Power Cable



Part No.	OEM Ref	Length
SC2091167	4491730900	9m
SC2091168	4491731200	12m
SC2091170	4491731500	15m

Notes: EBS E, ISO 7638

## Power Supply Cable



Part No.	OEM Ref	Length
SC1788949	4491721200	12m

Notes: Application TEBS D

## ABS Sensor Extension Cables



Part No.	OEM Ref	Length
ST10078831	4497150150	1.5m
ST10078832	4497150200	2m
SC2091324	4497150300	3m
SC1934808	4497150500	5m

Notes: With adaptor plug for flat contact for Vario-C ABS

## ABS Sensor Extension Cables



Part No.	OEM Ref	Length
SC1912312	4497120180	1.8m
SC1788951	4497120230	2.3m
SC1738452	4497120300	3m
SC1912313	4497120380	3.8m

Notes: Application VCS I, VCS II & TEBS-D

## EBS Sensor Extension Cables



Part No.	OEM Ref	Length
ST10078830	4497230030	0.3m
SC2091329	4497230180	1.8m
SC2091330	4497230230	2.3m
SC2091331	4497230300	3m
SC2091332	4497230400	4m

Notes:

## Connecting Cables



Part No.	OEM Ref	Length
SC2091231	4494150600	6m
ST10078838	4494150800	8m
ST10078839	4494151000	10m

Notes: Bayonet Connector to 2 Bare wire end ISO 15170-B1-2.1SN/K1

## Connecting Cables



Part No.	OEM Ref	Length
ST10078835	4494130500	5m
SC2091228	4494130800	8m
ST10078836	4494131000	10m
ST10078837	4494131500	15m

Notes: Bayonet Connector to 3 Bare wire end ISO 15170-B1-3.1SN/K1

## Repair Kit



Part No.

OEM Ref

**ST10076580**

**9710029212**

Notes: Application TEBS C1 & C2

## ECAS Pressure Sensor



Part No.

OEM Ref

Type

**SC2090394**

**4410441010**

**No O Ring**

**SC1934575**

**4410441020**

**With O Ring**

Notes: Not to be used with TEBS Relay valve

## Double Check Valve



Part No.

OEM Ref

Ports

**SC1738488**

**4342080210**

**M22 x 1.5**

Notes:

## Charging Valves



Part No.

OEM Ref

Type

**SC2089944**

**4341001250**

**New**

**SC1738487**

**4341001257**

**Recon**

Notes: All Ports M22 x 1.5 / Without back flow  
Charging pressure: 6.0 bar  
Range of adjustment: 5.3 - 7.0 bar  
Max. operating pressure: 10 bar

## Charging Valves



Part No.

OEM Ref

Type

**SC2089947**

**4341001300**

**New**

**SC1932743**

**4341001307**

**Recon**

Notes: All Ports M22 x 1.5 / Without back flow  
Charging pressure: 7.0 bar  
Range of adjustment: 5.3 - 7.0 bar  
Max. operating pressure: 20 bar

## ECAS Solenoid Valve



Part No.

OEM Ref

Ports

**SC1934984**

**4728800300**

Notes: With lift axle control

## ECAS Solenoid Valve



Part No.

OEM Ref

Port Threads

**SC1935902**

**4729051140**

**M22 x 1.5**

Notes: With axle & lift axle control

# Wabco Components

Combined Park & Shunt Valve



Part No.	OEM Ref	Type	Length
SC1935580	9630010520	New	w/o NRV
SC2090266	9630010510	New	c/w NRV
SC1738494	9630010517	Recon	c/w NRV

Notes: All Ports M16 x 1.5

Park Release Emergency Valve



Part No.	OEM Ref	Length
SC1738468	9710029000	new
SC2089922	9710029007	recon

Notes: working pressure 8.5 bar (max 10 bar)  
Comes with Data Plate

Raise & Lower Valve



Part No.	OEM Ref	Type
SC1738476	4630320207	Recon
SC2089910	4630320200	New

Notes: Port 1 M16 x 1.5, Ports 4 M12 x 1.5

Lift Axle Control Valve



Part No.	OEM Ref	Type
SC2090293	4630840310	Single Circuit

Notes:

In Line Filter



Part No.	OEM Ref	Ports
SC1912306	4325000200	M22 x 1.5

Notes:

3/2 Directional Control Valve



Part No.	OEM Ref
SC1934920	4630360160

Notes: M16 x 1.5 Voss Push In

3/2 Way Pilot Control Valve



Part No.	OEM Ref
SC1788964	5710400000

Notes: Control Port M10 x 1, Ports M14 x 1.5

4 Port Quick Release Valve



Part No.	OEM Ref
SC1788954	9735000510

Notes: With double check valve  
Ports 1 & 3 M22 x 1.5, Ports 2 M16 x 1.5

2 Way Quick Release Valve



Part No.	OEM Ref	Ports
SC1912353	9735000000	M22 x 1.5

Notes:

# Wabco Components

Levelling Valve



Part No.	OEM Ref	Type
SC2089975	4640060000	New
SC1934935	4640060007	Recon

Notes: All Ports M12 x 1.5

Levelling Valve



Part No.	OEM Ref	Type
SC2089976	4640060020	New
SC1934936	4640060027	Recon

Notes: All Ports M12 x 1.5  
6mm Dia linkage bar, 2 stage with transversal throttle

Levelling Valve



Part No.	OEM Ref	Type
SC2089978	4640061000	New
SC1912335	4640061007	Recon

Notes: All Ports M12 x 1.5  
6mm Dia linkage bar, 3/2 way valve with transversal throttle

Levelling Valve



Part No.	OEM Ref
SC2089979	4640061020

Notes: 6mm Dia linkage bar, Cross throttle, Ports Push-in fittings M12 x 1.5

Linkage Kit



Part No.	OEM Ref	Linkage Bar
SC1788952	4334010030	6mm

Notes:

Linkage Kit



Part No.	OEM Ref	Linkage Bar
SC2090382	4334010060	6mm

Notes:

Levelling Valve



Part No.	OEM Ref	Port/Tube	Type
SC1934938	4640070010	6mm	Stroke of lever +30 / Overstroke 70
SC1934940	4640070150	6mm	Stroke of lever +35 / Overstroke 87

Notes:

Levelling Valve

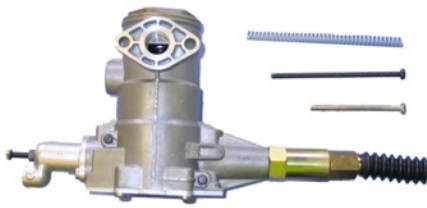


Part No.	OEM Ref	Port/Tube	Type
SC1934939	4640070100	M10 x 1	Stroke of lever +8 / Overstroke 19
SC2089981	4640070110	M10 x 1	Stroke of lever +30 / Overstroke 70

Notes:

AIR BRAKE

## Load Sensing Relay Emergency Valve



Part No.	OEM Ref	Type
ST10078841	4757002200	New
SC1912356	4757002207	Recon

Notes: Brake pressure p1: max 10 bar  
Control pressure p4: max 8 bar  
Control medium: Air, Inshot: 0.4±0.2 bar  
Control pressure p4 empty: 0.7 bar  
p2 empty (p1= 6 bar): 2.2±0.25 bar  
Control pressure p4 laden: 4.25 bar  
p2 laden (p1= 6 bar): 6.0-0.2 bar

## Load Sensing Relay Emergency Valve



Part No.	OEM Ref
SC2090014	4757110870

Notes: Regulating ratio: 1:8 2. Max. operating pressure: 10 bar 3. p41/42/43max: 12 bar 4. p4 max.: 10 bar 5. p41/42 empty: 2 bar 6. p2 empty: 5,2 bar (p4= 8 bar) 7. p41/42 laden: 4 bar 8. p2 laden: 8 bar (p4= 8 bar)

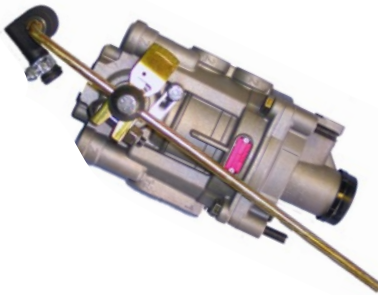
## Load Sensing Relay Emergency Valve



Part No.	OEM Ref	Type
SC2090057	4757155000	New
SC1738426	4757155007	Recon

Notes:

## Load Sensing Relay Emergency Valve



Part No.	OEM Ref	Type
SC2090056	4757120000	New
SC1935102	4757120007	Recon

Notes:

## Pressure Limiting Valve



Part No.	OEM Ref	Port Threads	Delivered Pressure	at P1 =	Range of Adjustment	Output Pressure
SC1935017	4750103007	M22 x 1.5	8.5 - 0.3 bar	10 bar	5.8 - 10.8 bar	8.9 - 0.3 bar
SC1935016	4750102000	M22 x 1.5	8 + 0.2 bar	12 bar	5.8 - 10.8 bar	9.2 + 0.2 bar
SC1935018	4750103010	M22 x 1.5	10 + 0.3 bar	12 bar	9.6 - 12 bar	10.4 + 0.2 bar
SC2090280	4750103120	M22 x 1.5	5.5 + 0.2 bar	7.5 bar	1.2 - 6 bar	5.9 - 0.3 bar

Notes: Max. operating pressure: 20 bar / Nominal diameter: 10 / Nominal diameter of exhaust ø 4  
4750103007 has Voss push-in fitting 230 for Port 1

## Distance Sensor



Part No.	OEM Ref	Connector
SC1934582	4410500110	DIN

Notes:

## Height Sensor



Part No.	OEM Ref	Ports
SC1934584	4410501000	M10 x 1

Notes: TEBS E only

## Silencers



Part No.	OEM Ref	Muffler
SC1932665	4324070120	70db/13bar

Notes: Max. operating pressure: 18.5 bar

Relay Emergency Valve



Part No.	OEM Ref
SC1912351	9710023010

Notes: Max. operating pressure: 8.5 bar  
Port 4 M16 x 1.5, other ports M22 x 1.5

Relay Emergency Valve



Part No.	OEM Ref	Ports
ST10079140	9710023030	M22 x 1.5

Notes: Max. operating pressure: 8.5 bar  
All ports M22 x 1.5

Relay Emergency Valve



Part No.	OEM Ref	Ports
SC1935615	9710023040	M22 x 1.5

Notes: Max. operating pressure: 8.5 bar  
All ports M22 x 1.5

Relay Emergency Valve



Part No.	OEM Ref	Type
SC2090070	9710023070	New
SC1912352	9710023077	Recon

Notes: Max. operating pressure: 8.5 bar  
All ports M22 x 1.5

Relay Emergency Valve



Part No.	OEM Ref
SC1738442	9710028050

Notes: Max. operating pressure: 8.5 bar  
Ports 2 & 4 M16 x 1.5, All other ports M22 x 1.5

Relay Emergency Valve



Part No.	OEM Ref	Type
SC2090064	9710021500	New
SC1738443	9710021507	Recon

Notes: All Ports M22 x 1.5  
Max. operating pressure: 10 bar  
Predominance: adjustable: 0 to 1  
Can use ST10071389 (9710023007) same valve without flange for manual LSV

Relay Emergency Valve



Part No.	OEM Ref	Type
SC2090066	9710021520	New
SC1738444	9710021527	Recon

Notes: Max. operating pressure: 10 bar  
Predominance adjustable 0 to 1 3  
Ports 1 & 4 M16 x 1.5, Port 1-2 M22 x 1.5,  
Port 2 4x M16 x 1.5, 2x M22 x 1.5

Relay Valve



Part No.	OEM Ref
ST10073731	9730110000

Notes: Max. operating pressure: 10 bar  
Ports 1 & 2 M22 x 1.5, Port 4 M16 x 1.5

EBS Trailer Control Valve



Part No.	OEM Ref
SC1935136	4802040020

Notes: Trailer Control Valve, 4x2, 6x2/4. 8.5 bar.  
Ports: 11, 21, 22 = M 22x1.5; 42, 43 = M 16x1.5.  
Voss 230. Bayonet (DIN). Exhaust with silencer

# Haldex ECU Components

## GEN 3 EB+ EBS Kit (Manufactured 2013 Onwards)



A - Standard



B - Master



C - Slave Assembly & ECU



NSS

Part No.	OEM Ref	Check & Quick Release Valve	Modulators	Replaces OEM Part Numbers
(A) ST10078178	950823008	Yes	2	823008001
(B) ST10079132	950823034	Yes	2	
(C) ST10071990	950800306	No	1	810023001

Notes: The slave assembly is used with the Master Valve to make up a 3M system for use on draw bar & semi trailers and some steering axes  
All valves require programming

## GEN 2 EB+ EBS Kit with 2 Modulators (Manufactured 2009 - 2013)



Blanking Plug



Part No.	OEM Ref	Replaces OEM Part Numbers
ST10077552	950820001	820001001, 820005001, 820007001, 820007101, 820007111-191, 820008001-131, 820011001-111, 820019001-121, 820023001, 820030001, 820031001, 820032001

Notes: This universal option comes with a blanking plug & must be removed for applications with OEM numbers 820007101, 820031001 & 820032001  
Requires programming / For 3 Modulator EB+ kit contact you local branch, The number of modulators can be identified by the number of exhaust filters located at the bottom of the valve

## GEN 1 EB+ EPRV Kit (Manufactured 2002 - 2008)

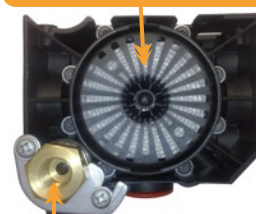


A - Single Modulator



B - Double Modulator

1 filter = 1 modulator



C - Check Valve

Part No.	OEM Ref	Check Valve	Modulators	Replaces OEM Part Numbers
(A/C) ST10071990	950800306	Yes	1	813005302
(B/C) ST10076706	950800305	Yes	2	813004302
(A) ST10074554	950800303	No	1	813003302
(B) ST10073226	950800302	No	2	813002302

Notes: ST10071990 can replace ST10074554 & ST10076706 can replace ST10073226  
The number of modulators can be identified by the number of exhaust filters located at the bottom of the valve

# Haldex ECU Components

## GEN 1 EB+ ECU (Manufactured 2002 - 2008)



Part No.	OEM Ref	Modulators	Aux	Stability	Replaces OEM No.s
ST10073771	950800201	1	1	No	812001101
		1	2		812001202
		1	3		812001301
		2	3		812001202
		2	5		812001301
ST10072679	950800204	1	1	Yes	812001101
		1	2		812001202
		1	3		812001301
		2	3		812001202, 812012001
		2	5		812001301, 812013001

Notes: ST10073771 can replace ST10072679

Requires programming / For 3M (Modulator) on Draw Bar trailers or steering axles contact your local branch

## Modular ECU (Manufactured 1997 - 2002)



ST10074315



ST10071388



ST10072787



ST10074177

Part No.	OEM Ref	Description	Application
ST10074315	950364801A	19 Pin / 2 Sensor, 1 Modulator	Modular 1 upgrade Kit comes with loom
ST10071388	950364802	28 Pin / 2 Sensor, 1 Modulator	Modular 1 Plus
ST10072787	950364803	28 Pin / 2 or 4 Sensor, 2 Modulator	Modular 2
ST10074177	950364804	29 Pin / 2 or 4 Sensor, 2 Modulator	Modular 2 ADR

Notes: ST10074315 is an upgrade kit to 28 pin complete with loom

## Modal ECU (Manufactured 1989 - 1997)



Part No.	Type	OEM Ref
ST10072435	Standard	950364081
ST10078124	COLAS Option	950364082

Notes: 2, 4 or 6 sensors, 1, 2 or 3 modulator



# Haldex Components

## MGX ECU (Manufactured 1982 - 1989)



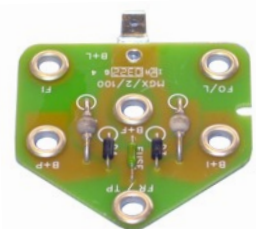
Black Case



Green Case



Grey Case



Polar Fuse Board

Part No.	OEM Ref	Description	Application
ST10076512	950364101	ECU - Black Case	MGX & MGX2
ST10078492	950364102	ECU - Grey Case	MGX2E
ST10074466	950364103	ECU - Green Case	MGX100
ST10078493	950364108	Polar Fuse Board	Universal

Notes: MGX parts only available while stocks last, replacement retro fit kits are available, See below



### EB+ GEN 3 Retrofit Kit

Part No.	OEM Ref	Description
ST10078180	393785031	Kit with trailer TEM Valve - ST10078133 (352075001)

Notes: For upgrading most older semi-trailers with air suspension and 80-100 tooth exciters, including those fitted with alternative manufacturers systems. The system is straight forward to fit and reduces the number of valves fitted on the trailer (e.g. no load sensing valve required)

### EB+ Diagnostic Kit



Part No.	Length
ST10078125	950800486

Notes: ECU/PC Interface cable 6.5m  
EB+ ISO Headboard diagnostic cable  
EB+ SOV/PC Interface cable 6.5m  
Transit case

### EB+ Diagnostic Kit



Part No.	Length
ST10078126	950800909

Notes: USB PC Interface (DIAG+)  
USB Cable

### EB+ Diagnostic Kit



Part No.	Length
ST10078127	950800910

Notes: USB PC Interface (FLEET+)  
USB Cable

AIR BRAKE

# Haldex Components

## Wiring Loom



Part No.	OEM Ref	Type
ST10074667	950364417	19 Pin

Notes: for ECU connection, ABS Modular 1 Upgrade, (2S/1M)

## Wiring Loom



Part No.	OEM Ref	Type
ST10071644	950364418	28 Pin

Notes: for ECU connection, ABS Modular 1 Plus Upgrade, (2S/1M), c/w 7m colas cable

## Wiring Loom



Part No.	OEM Ref	Type
ST10073236	950364419	28 Pin

Notes: for ECU connection, ABS Modular 2 Upgrade, (4S/2M), c/w 7m colas cable

## Info Centre



Part No.	OEM Ref	Cable
ST10072948	364317001	1.2m

Notes: Info-centre for ABS Modular, (PUR), while stocks last

## Modular Sensor Extension Cable



Part No.	OEM Ref	Length
ST10073930	950364507	6m

Notes:

## EB+ EBS Auxiliary Cable



Part No.	OEM Ref	Length
ST10074648	950800431	7m

Notes: for CANBUS

## EB+ Sensor Extension Cable



Part No.	OEM Ref	Length
ST10076765	950800442	2m
ST10071775	950800441	3m
ST10078128	950800443	6m

Notes:

## Modal Sensor Extension Cable



Part No.	OEM Ref	Length
ST10073933	950364024	2m
ST10073027	950364408	3m
ST10072067	950364026	6m

Notes:

## EB+ REV Pressure Switch Cable



Part No.	OEM Ref	Length
ST10078129	950800452	2m
ST10078130	950800456	8m
ST10074412	950800451	10m

Notes:

AIR BRAKE

# Haldex Components

## EB+ EBS Power Cable & Socket



Part No.	OEM Ref	Length
ST10078095	950800401	12m
ST10071878	950800405	14m
ST10074642	950800402	16m

Notes: ISO 7638

## Modular ABS Power Cable & Socket



Part No.	OEM Ref	Length
ST10074666	950364421	12m

Notes: ISO 7638 with framatone connector

## ABS Sensor Bush



Part No.	OEM Ref
ST10078131	059512309

Notes:

## ABS Sensor 90 Deg (80-100 Tooth)



Part No.	OEM Ref	Length
ST10071073	950364503	0.5m

Notes: Comes with grease & bush  
Application: DGX, MGX100, Modal, Modular, EB+

## ABS Sensor Straight (80-100 Tooth)



Part No.	OEM Ref	Length
ST10072903	950364506	0.5m

Notes: Comes with grease & bush  
Application: DGX, MGX100, Modal, Modular, EB+

## ABS Sensor Straight (45/60 Tooth)



Part No.	OEM Ref	Length
ST10078132	950364504	0.4m

Notes: for: ABS GX, DGX, MGX  
While stocks last

## ABS Sensor Straight (45/60 Tooth)



Part No.	OEM Ref	Length
ST10072650	950364501	2.4m

Notes: for: ABS GX, DGX, MGX2, MGX2E  
While stocks last

## ABS Sensor 90 Deg (45/60 Tooth)



Part No.	OEM Ref	Length
ST10076606	950364502	2.6m

Notes: for: ABS GX, DGX, MGX2E  
While stocks last

# Haldex Components

AIR BRAKE

## Trailer Emergency Module (TEM)



Part No.	OEM Ref
ST10078133	352075001
Notes: With Park & Shunt Valves & Safe Parking	

## Trailer Emergency Module (TEM)



Part No.	OEM Ref
ST10078134	352075031
Notes: With Park Valve & Safe Parking	

## Trailer Control Module with REV



Part No.	OEM Ref	Type	Safe Parking
ST10078135	352067101	TRCM	No
ST10077582	352067601	TRCM+	Yes
Notes: c/w pressure protection valve & label, port 1: M22x1.5 all other ports M16 x 1.5			

## Combined Park & Shunt Valve



Part No.	OEM Ref	Ports
ST10071070	352044001	M16 x 1.5
Notes: with REV valve, w/o non-return valve in port 11, (with 3 tapped ports at the back)		

## Combined Park & Shunt Valve



Part No.	OEM Ref	Ports
ST10078136	352045001	M16 x 1.5
Notes: European with non-return valve in port 11 (with 2 tapped ports at the back)		

## Combined Park & Shunt Valve



Part No.	OEM Ref	Ports
ST10076639	352046001	M16
Notes: c/w non-return valve in port 11, (with single check valve)		

## Shunt Valve



Part No.	OEM Ref	Rubber Bellow	Flush Face
ST10071067	207012001	No	No
ST10078137	207012021	Yes	Yes
ST10078138	352018001	No	No
Notes: All Ports M16 Part number ST10078138 can be used in replace of ST10078137			

## Park Valve



Part No.	OEM Ref	Rubber Bellow	Flush Face
ST10071068	207013001	No	No
ST10078139	207013021	Yes	Yes
ST10078140	352019011	Yes	No
Notes: All Ports M16 Part number ST10078140 can be used in replace of ST10078139			

# Haldex Components

## Replacement Knobs



Part No.	OEM Ref	Number
ST10078141	027059409	1
ST10078142	027022209	2
ST10078143	027049009	3
ST10072663	027047109	4
ST10072662	027047009	5
ST10078144	950352013	6

Notes

### Green ABS Socket - 5 Pin



Part No.	OEM Ref
ST10072789	950364072

Notes: For power ISO 7638, can use 950364436  
Application: Modal & Modular

### Red ABS Socket - 5 Pin



Part No.	OEM Ref
ST10072815	950364420

Notes: For power ISO 7638  
Application: Modal & Modular

### Blue Universal Socket



Part No.	OEM Ref
ST10078145	950364436

Notes: For power ISO 7638  
Application: Universal

### Fuse Holder Pin



Part No.	OEM Ref
ST10078146	950364401

Notes: For ST10072789, ISO 7638

### Pressure Switch Kit



Part No.	OEM Ref
ST10072843	950800903

Notes: for Relay Emergency Valve (EBS EB+)

### EB+ GEN 1 Pressure Transducer Kit



Part No.	OEM Ref
ST10078147	950800907

Notes: for EBS EB+

AIR BRAKE

# Haldex Components

Modulator Valve



Part No.	OEM Ref	Cable Length
ST10071405	950364045	0.8m
Notes: for ABS Modal, 1M system, 24V; ADR version		

Modulator Valve



Part No.	OEM Ref	Cable Length
ST10072877	950364046	0.8m
Notes: for ABS Modal, 2M/3M system, 24V; ADR version		

Modulator Valve



Part No.	OEM Ref	Cable Length
ST10071406	950364047	N/A
Notes: for ABS Modular/Modal, 1M system, solenoid: M27x1.0; 24V; ADR version		

Modulator Valve



Part No.	OEM Ref	Cable Length
ST10072709	950364048	N/A
Notes: for ABS Modular/Modal, 2M/3M system, solenoid: M27 x 1.0, 24V, ADR version		

Modulator Valve



Part No.	OEM Ref	Cable Length
ST10074882	950364806	N/A
Notes: for ABS Modular, 2M system, solenoid: M27 x 1.0, R/H, 24V, ADR version		

Modulator Valve



Part No.	OEM Ref	Cable Length
ST10076513	950364807	N/A
Notes: for ABS Modular, 2M system, solenoid: M27 x 1.0, L/H, 24V, ADR version		

Modal Manifold Kit



Part No.	OEM Ref
ST10077653	950364075
Notes: Modal 2M System	

MGX MCER Valve



Part No.	OEM Ref	Cable Length
ST10072653	950364104	0.5m
Notes: for ABS MGX; emergency port M16 x 1.5		

AIR BRAKE

# Haldex Components

## Levelling Valve c/w Lever Arm



Part No.	OEM Ref	Ports
ST10072033	612035031	M12 x 1.5

Notes: EGP, type: 4.0  
lever: loose/round

## Levelling Valve



Part No.	OEM Ref	Ports
ST10078148	612035071	8mm Push-in

Notes: EGP, type: 5.0,  
lever: loose/round

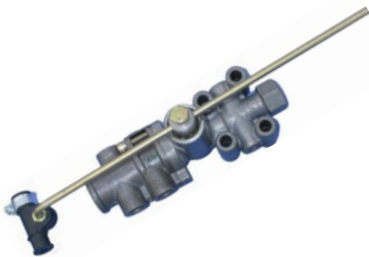
## Levelling Valve



Part No.	OEM Ref	Ports
ST10078149	612017061	M12 x 1.5

Notes: aluminium, type: 1.25,  
lever: loose/round, Can use ST10072033

## Levelling Valve



Part No.	OEM Ref
ST10073001	612032001

Notes: type: 1.3,  
ports: M12x1.5 + M16x1.5, lever: loose/round

## Levelling Valve



Part No.	OEM Ref	Ports
ST10078150	90054007	1/8" NPT

Notes: CR (Zinc)  
lever: assembled/flat/offset

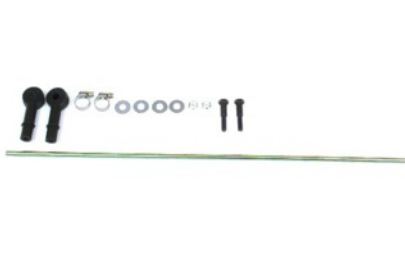
## Levelling Valve



Part No.	OEM Ref	Ports
ST10076855	90554147	1/8" NPT

Notes: CR (Zinc)  
lever: assembled/flat/offset; M10

## Linkage



Part No.	OEM Ref
ST10073352	48100225

Notes: SRK 168; max length: 19-5/8"  
(for type CR)

## Linkage



Part No.	OEM Ref
ST10078151	48100287

Notes: SRK 225; max length: 13-1/2"  
c/w 12" control arm; (for type IR)

## Linkage Kit



Part No.	OEM Ref
ST10078152	003575709

Notes:

## Linkage Repair Kit



Part No.	OEM Ref	Type
ST10078153	950612009	Kit
ST10077197	025046609	Lever

Notes: For Levelling Valve 612025001

## Linkage Repair Kit



Part No.	OEM Ref
ST10078154	90054630

Notes:

## Linkage Kit



Part No.	OEM Ref	Thread
ST10077468	612025001	M8

Notes:

# Haldex Components

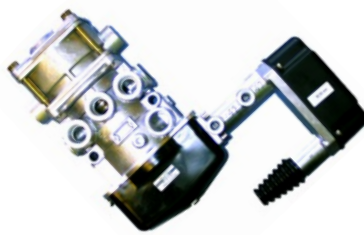
Load Sensing Valve



Part No.	OEM Ref	Ports
ST10071071	602005001	M16 x 1.5

Notes: Unset & Adjustable  
Application: MGX, Modal Modular

Combined Load Sensing Valve & REV



Part No.	OEM Ref
ST10077166	351014001

Notes: Unset & Adjustable  
Application: Universal

Relay Emergency Valve



Part No.	OEM Ref	Ports
ST10072751	351008022	M22 x 1.5

Notes: Universal, Adjustable with predominance  
Dual Circuit type EG

Relay Emergency Valve



Part No.	OEM Ref
ST10072727	351033001

Notes: dual circuit; type: EG, for EBS EB+  
ports: 4 x M16 x 1.5 / 2 x M22 x 1.5

Relay Emergency Valve



Part No.	OEM Ref
ST10078155	351008123

Notes: dual circuit; type: Euro, universal version  
ports: 4 x M22 x 1.5 / 1 x M16 x 1.5

Relay Emergency Valve



Part No.	OEM Ref	Ports
ST10078156	351009021	M22 x 1.5

Notes: dual circuit, type: EG,  
universal version

Relay Emergency Valve



Part No.	OEM Ref	Ports
ST10078157	350026002	M22 x 1.5

Notes: dual circuit, type: EG

Relay Emergency Valve



Part No.	OEM Ref
ST10076708	351008122

Notes: dual circuit, type: Euro, universal version  
ports: 4 x M22 x 1.5, 1 x M16 x 1.5

Trailer Control Valve



Part No.	OEM Ref
ST10078158	355094001

Notes: service pressure 11 bar, D-C,  
ports: 5 x M22 x 1.5, 1 x M16 x 1.5,

Relay Valve - 2 Bolt



Part No.	OEM Ref
ST10078159	355018001

Notes: max working pressure 10 Bar,  
port 1 & 2: M22 x 1.5, port 4: M16 x 1.5

Relay Valve 4 Bolt



Part No.	OEM Ref	All Ports
ST10078160	355018011	M22 x 1.5

Notes: max. operating pressure 10 Bar

Regulating Valve c/w Quick Release Valve



Part No.	OEM Ref	All Ports
ST10078161	356010011	M22 x 1.5

Notes: pressure setting 3.5 bar,  
opening to end pressure 0.8 bar

AIR BRAKE



# Haldex Components

## Regulating Valve c/w Quick Release Valve



Part No.	OEM Ref	Ports
ST10076709	356009011	M22 x 1.5

Notes: pressure setting 2 Bar  
Max operating pressure 10 Bar

## Pressure Limiting Valve



Part No.	OEM Ref	Ports
ST10076773	357012031	M22 x 1.5

Notes: pre-set pressure 5 bar

## Quick Release Valve



Part No.	OEM Ref
ST10078162	356023001

Notes: 2 port parallel, port 1: M22 x 1.5,  
port 2: 2 x M16 x 1.5, port 3: w/o thread

## Quick Release Valve



Part No.	OEM Ref
ST10078163	356023011

Notes: 2 port parallel, port 1 & 3: M22 x 1.5,  
port 2: 2 x M16 x 1.5

## Quick Release Valve



Part No.	OEM Ref
ST10078164	356022031

Notes: 4 port parallel, c/w protected exhaust,  
port 1 & 3: M22 x 1.5; port 2: 4 x M16 x 1.5

## Quick Release Valve



Part No.	OEM Ref
ST10071417	356022011

Notes: 4 port parallel  
port 1 & 3: M22 x 1.5, port 2: 4 x M16 x 1.5

## Double Check Valve



Part No.	OEM Ref	All Ports
ST10078165	333001101	M22 x 1.5

Notes: max working pressure 10 Bar

## Shut Off Valve



Part No.	OEM Ref	Ports
ST10078166	334077001	M22 x 1.5

Notes: turn: 1/4, c/w exhaust

## In-line Filter



Part No.	OEM Ref	Ports
ST10074169	310005011	M22 x 1.5

Notes: clip in filter, max working pressure 20 Bar,  
for pipe circuits to DIN 74347, standard OE fit

## Control Cylinder



Part No.	OEM Ref	Ports
ST10078167	341004011	M12 x 1.5

Notes: piston  $\varnothing$  35mm, stroke 85mm,  
c/w boot; length 228mm

## Control Cylinder



Part No.	OEM Ref	Ports
ST10077030	341032011	M12 x 1.5

Notes: piston  $\varnothing$  35mm, stroke 35mm,  
c/w boot; length 132mm

# Haldex Components

AIR BRAKE

Colas Raise Lower Valve - Auto



Part No.	OEM Ref	Ports
ST10072434	338054001	10mm

Notes: c/w return to ride height & dead man's handle, c/w 3 Blade Type Connector

Colas Raise Lower Valve - Manual



Part No.	OEM Ref	Ports
ST10073504	338056001	10mm

Notes: w/o return to ride height, c/w dead man's handle (Can use ST10072434)

Colas Raise Lower Valve - Auto



Part No.	OEM Ref	Ports
ST10078168	338051101	8mm

Notes: c/w return to ride height, c/w dead man's handle, c/w 3 Blade Type Connector

Colas Raise Lower Valve - Manual



Part No.	OEM Ref	Ports
ST10078169	338052101	8mm

Notes: w/o return to ride height, c/w dead man's handle (Can use ST10072255 or ST10078168)

Colas Raise Lower Valve - Manual



Part No.	OEM Ref	Ports
ST10072255	338051121	8mm

Notes: c/w return to ride height, c/w dead man's handle, c/w filter & DIN Type Connector

Colas Raise Lower Valve - Auto



Part No.	OEM Ref	Ports
ST10071806	338062101	8mm

Notes: c/w return to ride height, c/w dead man's handle, with roll on / roll off Feature

Colas Raise Lower Valve - Auto



Part No.	OEM Ref	Ports
ST10071719	338051111	8mm

Notes: c/w return to ride height, c/w dead man's handle, c/w 13-4 pneumatic port

Colas Handle Repair Kit



Part No.	OEM Ref	Colour
ST10072549	950338027	Black

Notes: for colas valve

Handle Repair Kit



Part No.	OEM Ref
ST10078170	950338100

Notes: for raise lower valve

ILAS E Lift Axle Valve



Part No.	OEM Ref	Ports
ST10078171	352061111	M16 x 1.5
ST10078172	352062111	8mm Push in

Notes: DIN Connector

ILAS E Lift Axle Valve



Part No.	OEM Ref	Ports
ST10074892	352061101	M16 x 1.5
ST10078173	352062101	8mm Push In

Notes: 3 pin blade terminal

ILAS III Lift Axle Valve



Part No.	OEM Ref	Ports
ST10072754	352049100	M16 x 1.5
ST10074465	352047100	8mm Push in

Notes: auto-lower setting unset 3.0-5.3 Bar

# Haldex Components

## Solenoid Kit (3 Blade Connector)



Part No.

**ST10078174**

OEM Ref

**950352110**

Notes: for ILAS-E + Colas

## Solenoid Kit (DIN Connector)



Part No.

**ST10078175**

OEM Ref

**950352111**

Notes: for ILAS-E

## Pressure Protection Valve



Part No.

**ST10078176**

OEM Ref

**314012004**

Ports

**M22 x 1.5**

Notes: opening pressure 6.0-0.4 bar  
w/o back flow

## Pressure Protection Valve



Part No.

**ST10072664**

OEM Ref

**314013002**

Ports

**M22 x 1.5**

Notes: opening pressure 6.0-0.4 bar,  
c/w back flow

## Pressure Protection Valve



Part No.

**ST10078177**

OEM Ref

**314013012**

Ports

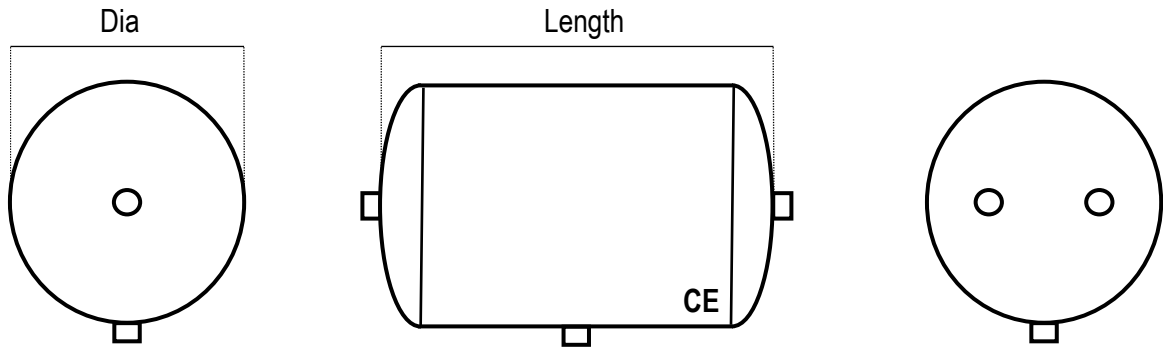
**M22 x 1.5**

Notes: opening pressure 0.8-0.3 bar,  
c/w back flow

Notes:

# Air Reservoirs

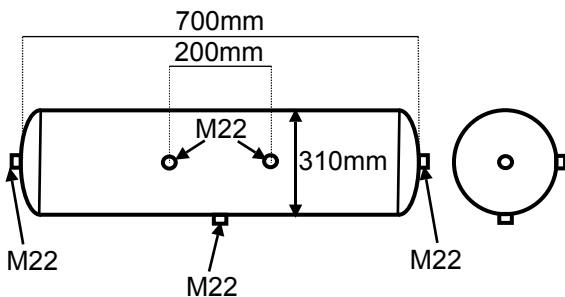
## Reservoirs - 4 Port Strap & Saddle Type (CE Marked / Approved to EN286-2)



Tank Part No.	Litres	Dia (mm)	Length (mm)	Ports	Strap & Saddle Part No.
ST10079678	5	206	198	M22 x 1.5	ST10074011
ST10074009	10	206	340	M22 x 1.5	ST10074011
ST10079679	15	206	500	M22 x 1.5	ST10074011
ST10079680	20	206	640	M22 x 1.5	ST10074011
ST10079681	20	246	480	M22 x 1.5	ST10074012
ST10079682	25	246	585	M22 x 1.5	ST10074012
ST10074010	30	246	680	M22 x 1.5	ST10074012
ST10079683	40	246	900	M22 x 1.5	ST10074012
ST10072488	40	276	725	M22 x 1.5	ST10077107
ST10074136	40	310	588	M22 x 1.5	ST10073007
ST10074409	60	276	1085	M22 x 1.5	ST10077107
ST10073006	60	310	862	M22 x 1.5	ST10073007
ST10076962	60	396	543	M22 x 1.5	ST10072930
ST10079017	80	396	708	M22 x 1.5	ST10072930
ST10072929	100	396	885	M22 x 1.5	ST10072930
ST10079684	120	396	1050	M22 x 1.5	ST10072930

Notes: Temp Range -40C to +100C / Operating Pressure 12.5 Bar

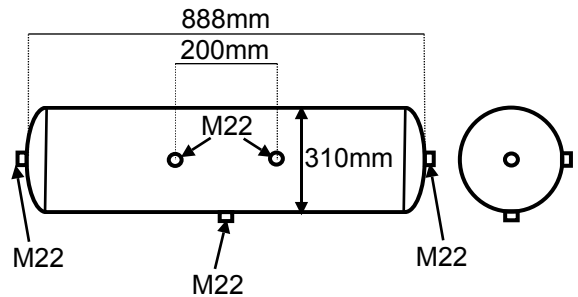
### Reservoir - 5 Port U Bolt & Saddle Mounted



Part No.	ST10074920
Litres	45
U Bolt (2 Required per Tank)	ST10073650
Saddle (2 Required per Tank)	ST10073651

Notes:

### Reservoir - 5 Port U Bolt & Saddle Mounted

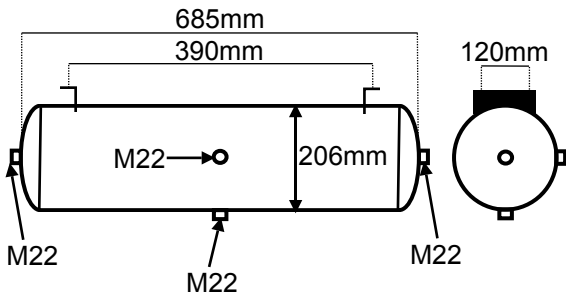


Part No.	ST10076651
Litres	60
U Bolt (2 Required per Tank)	ST10073650
Saddle (2 Required per Tank)	ST10073651

Notes:

# Air Reservoirs

Reservoir - 4 Port Sided Mounted



Part No.

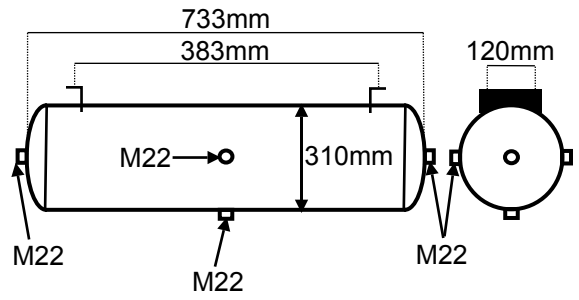
ST10074803

Litre

20

Notes:

Reservoir - 5 Port Sided Mounted



Part No.

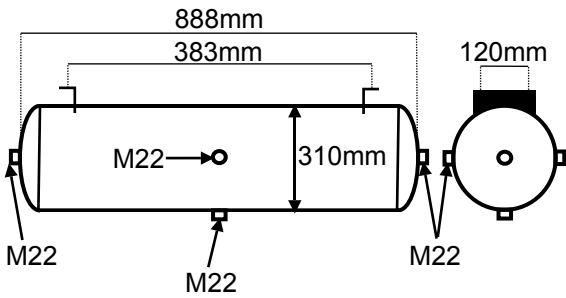
ST10074813

Litre

50

Notes:

Reservoir - 5 Port Sided Mounted



Part No.

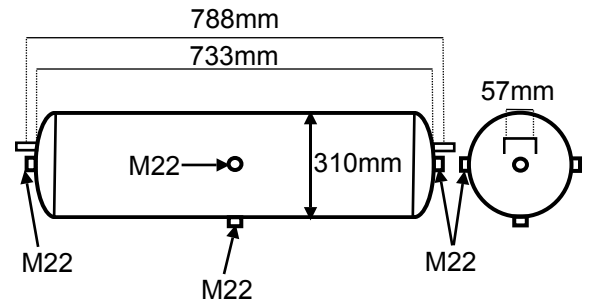
ST10072411

Litre

60

Notes:

Reservoir - 5 Port End Mounted



Part No.

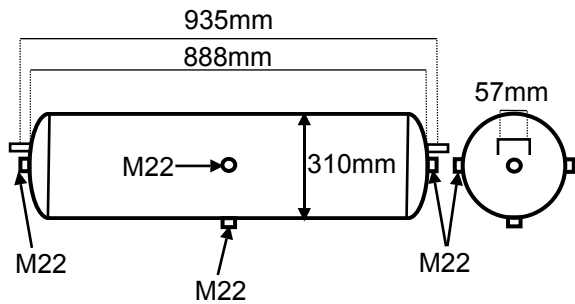
ST10074069

Litre

50

Notes:

Reservoir - 5 Port End Mounted



Part No.

ST10077946

Litre

60

Notes:

For a wide range of Drain Taps & Test Points see page 2.18



# Brake Chambers

## ELSA 195, ELSA 225-2 & DUCO Disc Brake Chambers



Type	LH Part No.	LH Part No.	RH Part No.	RH Part No.
T16/24	41229058	ST10079703	41229059	ST10079704
T18/24	41229062	ST10079705	41229063	ST10072254
T20/24	41229066	ST10073990	41229067	ST10079472
T22/24	41229070	ST10073366	41229071	ST10073367
T24/24	41229074	ST10071972	41229075	ST10071902

Notes: Notes: LH & RH Shown are for Underslung Suspensions Please swap when using overslung

## ELSA 2 Disc Brake Chambers



Type	LH Part No.	LH Part No.	RH Part No.	RH Part No.
T14/24	41231073	ST10072521	41231074	ST10072522
T16/24	41231077	ST10072533	41231078	ST10072534
T18/24	41231081	ST10071062	41231082	ST10071063
T20/24	41231085	ST10079474	41231086	ST10079475
T22/24	41231087	ST10079476	41231088	ST10079477
T24/24	41231089	ST10079478	41231090	ST10079479

Notes:

## DX 195 Disc Brake Chambers



Type	Ports	LH / RH Part No.	LH / RH Part No.
T18/24	M16 X 1.5	41231053	ST10079480
T20/24	M16 X 1.5	41231055	ST10071061
T22/24	M16 X 1.5	41231057	ST10072487
T24/24	M16 X 1.5	41231059	ST10071060

Notes: Notes: In Tandem Applications a Hot Type is required (Higher output Torque)  
Type 24/24 Use SC2114897 41227590 RH & SC2114896 41227591 LH

## SAF Brake Chamber Double Diaphragm



Type	Part No.	OEM Part No.
16/24	SC1748150	4454107764
18/24	SC1876718	4454107464
20/24	SC1748151	4454107964

Notes: Comes with Integrated Air Connection

## BPW Air Connection Mounting



Part No.	Application
ST10075797	Double Diaphragm
ST10075798	Piston Spring

Notes:

## SAF Brake Chamber Extension



Part No.	Size
SC1947291	Unequal Legs
ST10077418	Equal Legs
ST10077423	Off Set Legs

Notes:

# Brake Chambers

## BPW Single Diaphragm Brake Chamber (All Ports M16 x 1.5)



Type	Left Hand Ref	Left Hand No.	Right Hand Ref	Right Hand No.
14	05.444.30.02.0	ST10076199	05.444.30.01.0	ST10076198
15	05.444.31.02.0	ST10170165	05.444.31.01.0	ST10076200
16	05.444.32.02.0	ST10170167	05.444.32.01.0	ST10170166
18	05.444.33.02.0	ST10076205	05.444.33.01.0	ST10076204
20	05.444.34.02.0	ST10076207	05.444.34.01.0	ST10076206
22	05.444.35.02.0	ST10170354	05.444.35.01.0	ST10170355
24	05.444.36.02.0	ST10170356	05.444.36.01.0	ST10170357

Notes:

## BPW Double Diaphragm Brake Chamber (All Ports M16 x 1.5)



Type	Left Hand Ref	Left Hand No.	Right Hand Ref	Right Hand No.
14/24	05.444.38.02.0	ST10170169	05.444.38.01.0	ST10170168
15/24	05.444.39.02.0	ST10170171	05.444.39.01.0	ST10170170
16/24	05.444.40.02.0	ST10170173	05.444.40.01.0	ST10170172
18/24	05.444.42.02.0	ST10076217	05.444.42.01.0	ST10076216
20/24	05.444.44.02.0	ST10170181	05.444.44.01.0	ST10170180

Notes:

## BPW Piston Spring Brake Chamber (All Ports M16 x 1.5)



Type	Left Hand Ref	Left Hand No.	Right Hand Ref	Right Hand No.
16/16	05.444.41.04.0	*ST10170175	05.444.41.03.0	*ST10170174
20/24	05.444.43.02.0	**ST10076219	05.444.43.01.0	**ST10170176
20/24	05.444.43.04.0	*ST10076437	05.444.43.03.0	*ST10076436
22/24	05.444.45.02.0	**ST10170367	05.444.45.01.0	**ST10170368
24/24	05.444.46.04.0	*ST10170369	05.444.46.03.0	*ST10170370

Notes: Brake chambers like calipers can be mounted either side, check the images above and the location of the ports (Right Hand Shown Above)

\*Brake chambers for overslung trailing arm

\*\*Brake chamber for underslung trailing arm with the air tube rotated 180 deg

## Daimler Brake Chambers

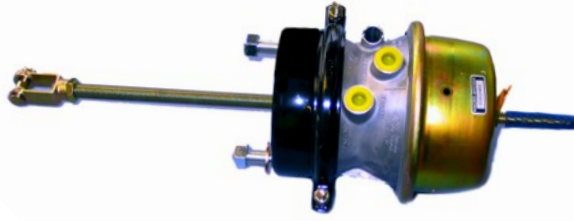


Type	Stroke	Hand	Daimler Part No.	Wabco Part No.	SGB Part No.
16/16	57mm	Left	A0174208818	9254644500	SC2090333
16/16	57mm	Right	A0174208918	9254644510	SC2090334
16	57mm		A0064205224	4231047100	SC1932621
16/24	57mm	Left	A0184205218	9254645010 / 9254645007	SC2090337
16/24	57mm	Right	A0184205318	9254645017 / 9254645000	SC2090336
20	62mm		A0074201224	4235050000	SC1932639
20/24	64mm	Left	A0184205518	9254601000	SC1935449
20/24	64mm	Right	A0184205618	9254601010	SC1935450
22	62mm		A0074201324	4231107100	SC1932635
24	62mm		A0074201424	4235060010	SC1932640
16	57mm		A0084208524	OEM Only	SC2206006
16/24	57mm	Left & Right	A0234206518	OEM Only	OEM Only

Notes: These are rationalised brake chambers and the clamp band may require turning

# Brake Chambers

## Spring Brake Chambers



Reference	SGB Part No.	Knorr Bremse Part No.	Size	Stroke	Stroke
2024GCMSS	ST10073338	(BX7414) K037983N00	20-24	S	57mm
2424GCMLS	ST10073941	(BX7545) K038537N00	24-24	LS	64mm
2430GCMLS	ST10079686	(BX7543) K038535N00	24-30	LS	64mm
2430GCMEMLS	ST10071082	(BX7542) K037810N00	24-30	XLS	76mm
3030GCMLS	ST10079687	(BX7618) K038538N00	30-30	LS	64mm

Notes:

## Single Diaphragm Brake Chamber



Type	Stroke	Port Thread	Push Rod Thread	SGB Part No.	OEM Part No.
24	75mm	1/4" NPTF	5/8" UNF	ST10079690	120454203
16	75mm	M16 X 1.5mm	M16 X 1.5mm	ST10079692	BZ3374 (II33457A)
20	75mm	M16 X 1.5mm	M16 X 1.5mm	ST10072819	BX3419 (II33782A)
24	75mm	M16 X 1.5mm	M16 X 1.5mm	ST10073945	BX3538 (II33783A)
30	75mm	M16 X 1.5mm	M16 X 1.5mm	ST10079693	BX3607 (II33488A)

Notes:

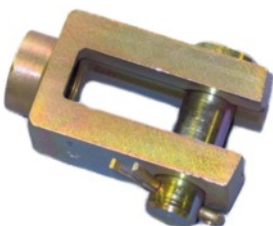
## Double Diaphragm Brake Chamber



Type	Stroke	Port Thread	Push Rod Thread	SGB Part No.	OEM Part No.
24	75mm	1/4" NPTF	5/8" UNF	ST10079695	121254003
20	75mm	M16 X 1.5mm	M16 X 1.5mm	ST10079698	121140003
24	75mm	M16 X 1.5mm	M16 X 1.5mm	ST10079699	121150003

Notes:

## Yokes



Part No.	Thread Size	Fulcrum Pin
ST10079700	1/2" UNF	1/2"
ST10071219	5/8" UNF	1/2"
ST10074003	5/8" UNF	14mm
ST10079701	M14 x 1.5mm	1/2"
ST10079702	M14 x 1.5mm	14mm
ST10072501	M16 x 1.5mm	1/2"
ST10071114	M16 x 1.5mm	14mm

Notes:

## Fulcrum Pins



Part No.	Size
ST10071547	1/2"
ST10071001	14mm

Notes:



# Slack Adjusters

## BPW Slack Adjusters (Supplied in Pairs)



BPW Part No.	Part No
05.174.82.63.3	ST10076232
05.174.82.21.3	ST10076223
05.174.82.31.3	ST10076229
05.174.82.24.3	ST10076224
05.174.88.51.3	ST10076235
05.174.82.32.3	ST10076228
05.174.83.04.3	ST10076233

Notes: The BPW part number listed is the number stamped on the slack adjuster and can also end with the last digit being 0 / 1 / 2

## SAF Slack Adjusters (Supplied in Pairs)



BPW Part No.	Part No
4175032300	SC2090876
4175033000, 4175029000	SC1873969
4175032600, 4175032500	SC2090879
4175032800, 4175032900	SC2090881
*4175032200	*SC2090875
**4175032200	**SC2090880
4175033100	SC2090878

Notes: The SAF part number listed is the number stamped on the slack adjuster

\*For rigid axles

\*\*For steering axles

## Knorr Bremse Slack Adjuster



Part No	ST10071326
Haldex Part No.	KB1000
Application	Meritor
OEM Numbers	21222694, 21223694
Hole Ctrs	115/127/140/153/205
Hole ID	14mm (x5)
Spline	10 SAE 1-1/2"-10c
Hand	L & R

Notes:

## Haldex Slack Adjuster (Sold as Single)



Part No	ST1007452
Haldex Part No.	80020 (S & D)
Application	Meritor
OEM Numbers	21222694, 21223694
Hole Ctrs	115/127/140/153/205
Hole ID	14mm (x5)
Spline	10 SAE 1-1/2"-10c
Hand	L & R

Notes: S = Single Slack Adjuster  
D = Double (Pair) Slack Adjusters  
replaces 72788D & 27288S

# Euro Booms, A Frames & Nose Boxes

## Euro Boom



Contact Us For Details

### Special Features

Based on the proven Classic EUROBOOM design, the Standard incorporates a number of enhancements designed particularly for the replacement market.

- Exterior-mounted cables and tubing
- Comprehensive fitting kit
- Industry standard connectors
- Push-in air line fittings
- Heavy duty construction

A range of Standard and Classic Eurobooms are available to suit most popular truck-trailer combinations. For many non-standard applications, Eurobooms can be manufactured to customer specifications.

## A Frames



Contact Us For Details

### Special Features

A-Frames are a simple but very effective method of reducing coil wear and tear between tractor and trailer especially on close-coupled combinations.

Each A-Frame is purpose designed, pre-wired and supplied with all necessary fittings to fit a particular make and model of vehicle.

- Pre-wired to suit particular vehicle make and model
- Raises the coils well away from all obstructions in catwalk area
- Supplied with all necessary stowage Points
- Plug into existing connection points

A range of A-Frames are available to suit most makes of vehicle. For many non-standard applications, A-Frames can be manufactured to customer specifications.

## Nose Boxes

Contact Us For Details



### Special Features

Universal solution to reduce coil damage and snagging between tractor and trailer by moving from side to side as the vehicle turns, the Sliding Nosebox minimises the strain on the coils.

- Top and bottom conveyor guides eliminate lateral movement and ensure accurate and trouble-free travel for the conveyor
- Unique guide/roller block mechanism trouble-free operation
- Easy access when required, the unique design allows the connection plate to partially slide off the end of the guide rails for easy access to the fittings

The standard sliding nosebox is suitable for most makes of trailer. Tractor-unit versions are also available. For many non-standard applications, noseboxes can be manufactured to customer specifications.

Notes:

# ELECTRICAL

Description	Page No.	Description	Page No.
<b>ABS Coils</b>	<b>3.3 - 3.4</b>	<b>N Type Coils</b>	<b>3.3 - 3.4</b>
<b>Aspoeck</b>		<b>Plugs - Electrical</b>	<b>3.2 - 3.3</b>
Rear Lamps	<b>3.27 - 3.34</b>	<b>Reverse Alarms</b>	<b>3.59</b>
LED Bulbs & Pods	<b>3.34</b>	<b>Rubbolite</b>	
Marker Lamps Amber	<b>3.36 - 3.37</b>	Rear Lamps	<b>3.5 - 3.14</b>
Marker Lamps White	<b>3.37 - 3.38</b>	Marker Lamps Amber	<b>3.15 - 3.16</b>
Marker Lamps Stalk	<b>3.35</b>	Marker Lamps Red	<b>3.17 - 3.18</b>
Marker Lamps Red	<b>3.38</b>	Marker Lamps White	<b>3.18 - 3.20</b>
Number Plate Lamps	<b>3.38 - 3.39</b>	Marker Lamps Green	<b>3.21</b>
Number Plate Holders	<b>3.39</b>	Marker Lamps Stalk	<b>3.22</b>
Wiring Harness	<b>3.39 - 3.40</b>	Fog Lamps	<b>3.23</b>
Cables	<b>3.39 - 3.40</b>	Work Lamps	<b>3.23</b>
Junction Box	<b>3.39</b>	Reverse Lamps	<b>3.23 - 3.24</b>
<b>Bulbs</b>	<b>3.56 - 3.58</b>	Interior Lamp	<b>3.24</b>
<b>Coils - Electrical</b>	<b>3.3 - 3.4</b>	Number Plate Lamps	<b>3.24</b>
<b>EBS Coils</b>	<b>3.3 - 3.4</b>	Beacons	<b>3.24</b>
<b>Electrical Coils</b>	<b>3.3 - 3.4</b>	Load Resistors	<b>3.24</b>
<b>Electrical Plugs</b>	<b>3.2</b>	Number Plate Holders	<b>3.24</b>
<b>Electrical Sockets</b>	<b>3.2</b>	Bulb Holder	<b>3.25</b>
<b>Hella</b>		Junction Boxes	<b>3.26</b>
Rear Lamps	<b>3.41 - 3.45</b>	Reverse Alarms	<b>3.26</b>
Stalk Lamps	<b>3.44</b>	<b>S Type Coils</b>	<b>3.3 - 3.4</b>
LED Pods	<b>3.44</b>	<b>Sockets - Electrical</b>	<b>3.2 - 3.3</b>
Fog Lamps	<b>3.45</b>	<b>Trucklite</b>	
Reverse Lamp	<b>3.45</b>	Rear Lamps	<b>3.49 - 3.51</b>
Number Plate Lamps	<b>3.45</b>	Plugs & Leads	<b>3.52</b>
Marker Lamps Amber	<b>3.45 - 3.46</b>	Number Plate Lamps	<b>3.52</b>
Marker Lamps White	<b>3.46</b>	Anti-corrosion Compound	<b>3.52</b>
Marker Lamps Red	<b>3.46 - 3.47</b>	Marker Lamps Amber	<b>3.52 - 3.54</b>
Work lamp	<b>3.47</b>	Marker Lamps White	<b>3.52 - 3.54</b>
Interior Lamp	<b>3.47</b>	Marker Lamps Red	<b>3.52 - 3.54</b>
Junction Box	<b>3.47</b>	Marker Lamps Green	<b>3.52 - 3.54</b>
Power Cable	<b>3.47 - 3.48</b>	Interior Lights	<b>3.55</b>
Cables	<b>3.47 - 3.48</b>		

# Plugs & Sockets

Clang - 7 Pin Plug 24v



Part No.	Type
ST10071460	S
ST10071459	N

Clang - 7 Pin Socket 24v



Part No.	Type
ST10071461	S
ST10071458	N

Aluminium Plug 7 Pin 24v



Part No.	Type
ST10071456	S
ST10071455	N

Aluminium Socket 7 Pin 24v



Part No.	Type
ST10071457	S
ST10071454	N

ABS & EBS Sockets 24v



Part No.	Type	Terminals
ST10072786	7 (EBS)	Crimped
ST10072298	7 EBS	Screw
ST10072424	15 (EBS)	Screw
ST10072804	15 (EBS)	Crimped

Notes:

ABS & EBS Plug 24v



Part No.	Type	Terminals
ST10072157	7 (EBS)	Crimped
ST10073681	7 EBS	Screw
ST10077889	15 (EBS)	Screw
ST10078375	15 (EBS)	Crimped

Notes:

Plastic 7 Pin Socket



Part No.	Type
ST10072137	S
ST10072136	N

Notes:

Plastic 7 Pin Plug



Part No.	Type
ST10071626	S
ST10072135	N

Notes:

Plastic 7 Pin Socket



Part No.	Type
ST10071276	N

Notes:

Plastic 7 Pin Socket



Part No.	Type
ST10071277	S

Notes:

Plastic 7 Pin Plug



Part No.	Type
ST10079135	N

Notes:

Plastic 7 Pin Plug



Part No.	Type
ST10079136	S

Notes:

7 - 15 Pin Adaptor



Part No.	Type
ST10073237	S & N

Notes:

Protective Boot



Part No.
ST10071107

Notes:

EBS ABS Parking Socket



Part No.
ST10073951

Notes:

# Plugs & Sockets

**Green ABS Socket**



Part No.	Type
ST10072789	5 Pin

Notes: For power ISO 7638,

**Red ABS Socket**



Part No.	Type
ST10072815	5 Pin

Notes: For power ISO 7638

**Blue Universal Socket**



Part No.	Type
ST10078145	

Notes: For power ISO 7638

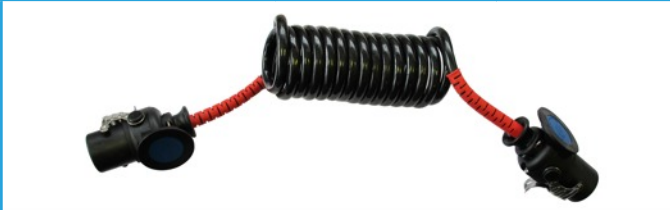
**Fuse Holder Pin**



Part No.	Type
ST10078146	

Notes: For ST10072789, ISO 7638

**EBS Coil**



Part No.	Working Length	Turns
ST10078412	3m	18
ST10074692	4m	25
SC2153194	3m	42

Notes:

**ABS Coil**



Part No.	Working Length	Turns
SC1947584	3m	16

Notes:

**24v Electrical Coil (Lugged Plastic Plugs)**



Part No.	Type	Working Lgh	Turns
ST10071350	S	3m	48
ST10078376	S	4.5m	64

Notes:

**24v Electrical Coil (Lugged Plastic Plugs)**



Part No.	Type	Working Lgh	Turns
ST10071560	N	3m	48
ST10078377	N	4.5m	64

Notes:

**24v Electrical Coil (Moulded Plastic Plugs)**



Part No.	Type	Working Lgh	Turns
ST10078414	S	3.5m	56
ST10078415	S	4.5m	64

Notes:

**24v Electrical Coil (Moulded Plastic Plugs)**



Part No.	Type	Working Lgh	Turns
ST10078416	N	3.5m	56
ST10078417	N	4.5m	64

Notes:

ELECTRICAL

# Plugs & Sockets

24v Electrical Coil (Lugged Plastic Plugs)



Part No.	Type	Working Lgh	Turns
SC1947589	S	3m	16
ST10078420	S	3.5m	18

Notes:

24v Electrical Coil (Lugged Plastic Plugs)



Part No.	Type	Working Lgh	Turns
SC1947587	N	3m	16
ST10078418	N	3.5m	18

Notes:

Electrical Coil (7 Pin S & N Plugs to 15 Pin Plug)



Part No.	Working Length	Turns / Plugs
ST10078422	3m	48 / Plastic
ST10073168	4m	66 / Plastic
ST10078421	3m	41 / Moulded
SC2111147	3m	57 / Moulded
ST10078419	4m	57 / Moulded

Notes:

Electrical Coil (15 Pin to 15 Pin)



Part No.	Working Length	Turns
SC2153192	3m	38
ST10074460	3.5m	42

Notes:

Notes:

# Rubbolite Components

Model 461 Rear Lamp - Stop, Twin Tail, Fog, Reverse, Indicator, Reflex Reflector, Side Marker, Side Reflector, No. Plate

Lamp Part No.	ST10073657
Lens Part No.	ST10074224
Type	Side Cable Entry
Hand	Right
Length	516mm
Height	130mm
Depth	80mm
Mounting Ctrs	152mm
Bolt Holes	M8
Side Marker	Yes



Model 461 Rear Lamp - Stop, Twin Tail, Fog, Reverse, Indicator, Reflex Reflector, Side Marker, Side Reflector, No. Plate

Lamp Part No.	ST10073658
Lens Part No.	ST10074224
Type	Side Cable Entry
Hand	Left
Length	516mm
Height	130mm
Depth	80mm
Mounting Ctrs	152mm
Bolt Holes	M8
Side Marker	Yes



Model 461 Rear Lamp - Stop, Twin Tail, Fog, Reverse, Indicator, Reflex Reflector, Side Marker, Side Reflector, No. Plate

Lamp Part No.	ST10073758
Lens Part No.	ST10074224
Type	Rear Cable Entry
Hand	Right
Length	516mm
Height	130mm
Depth	80mm
Mounting Ctrs	152mm
Bolt Holes	M8
Side Marker	Yes



Model 461 Rear Lamp - Stop, Twin Tail, Fog, Reverse, Indicator, Reflex Reflector, Side Marker, Side Reflector, No. Plate

Lamp Part No.	ST10073759
Lens Part No.	ST10074224
Type	Rear Cable Entry
Hand	Left
Length	516mm
Height	130mm
Depth	80mm
Mounting Ctrs	152mm
Bolt Holes	M8
Side Marker	Yes



ELECTRICAL



# Rubbolite Components

Model 461 Rear Lamp - Stop, Twin Tail, Fog, Reverse, Indicator, Reflex Reflector, Side Marker, Side Reflector, No. Plate

Lamp Part No.	ST10078560
Lens Part No.	ST10074224
Type	DIN Connector
Hand	Right
Length	516mm
Height	130mm
Depth	80mm
Mounting Ctrs	152mm
Bolt Holes	M8
Side Marker	Yes



Model 461 Rear Lamp - Stop, Twin Tail, Fog, Reverse, Indicator, Reflex Reflector, Side Marker, Side Reflector, No. Plate

Lamp Part No.	ST10078561
Lens Part No.	ST10074224
Type	DIN Connector
Hand	Left
Length	516mm
Height	130mm
Depth	80mm
Mounting Ctrs	152mm
Bolt Holes	M8
Side Marker	Yes



Model 461 Rear Lamp - Stop, Twin Tail, Fog, Reverse, Indicator, Reflex Reflector, Side Marker, Side Reflector, Reverse Alarm

Lamp Part No.	ST10078562
Lens Part No.	ST10074224
Type	DIN Connector
Hand	Right
Length	516mm
Height	130mm
Depth	80mm
Mounting Ctrs	152mm
Bolt Holes	M8
Side Marker	Yes



Model 461 Rear Lamp - Stop, Twin Tail, Fog, Reverse, Indicator, Reflex Reflector, Side Marker, Side Reflector, Reverse Alarm

Lamp Part No.	ST10078563
Lens Part No.	ST10074224
Type	DIN Connector
Hand	Left
Length	516mm
Height	130mm
Depth	80mm
Mounting Ctrs	152mm
Bolt Holes	M8
Side Marker	Yes



ELECTRICAL

# Rubbolite Components

Model 360 Rear Lamp - Stop, Twin Tail, Fog, Reverse, Indicator, Reflex Reflector, Side Marker, Side Reflector, No. Plate

Lamp Part No.	ST10078556
Lens Part No.	ST10071099
Connector	DIN Plug
Hand	Right
Length	466mm
Height	130mm
Depth	80mm
Mounting Ctrs	152mm
Bolt Holes	2 x M8
Side Marker	Yes



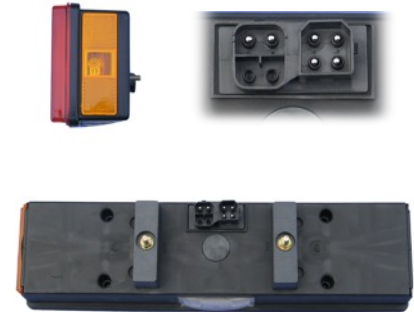
Model 360 Rear Lamp - Stop, Twin Tail, Fog, Reverse, Indicator, Reflex Reflector, Side Marker, Side Reflector, No. Plate

Lamp Part No.	ST10078557
Lens Part No.	ST10071099
Connector	DIN Plug
Hand	Left
Length	466mm
Height	130mm
Depth	80mm
Mounting Ctrs	152mm
Bolt Holes	2 x M8
Side Marker	Yes



Model 362 Rear Lamp - Stop, Twin Tail, Fog, Reverse, Indicator, Reflex Reflector, Side Marker, Side Reflector, No. Plate

Lamp Part No.	ST10078558
Lens Part No.	ST10071099
Type	Volvo Plug
Hand	Right
Length	466mm
Height	130mm
Depth	80mm
Mounting Ctrs	152mm
Bolt Holes	2 x M8
Side Marker	Yes



Model 362 Rear Lamp - Stop, Twin Tail, Fog, Reverse, Indicator, Reflex Reflector, Side Marker, Side Reflector, No. Plate

Lamp Part No.	ST10078559
Lens Part No.	ST10071099
Type	Volvo Plug
Hand	Left
Length	466mm
Height	130mm
Depth	80mm
Mounting Ctrs	152mm
Bolt Holes	2 x M8
Side Marker	Yes



ELECTRICAL

# Rubbolite Components

Model 360 Rear Lamp - Stop, Twin Tail, Fog, Reverse, Indicator, Reflex Reflector, Side Marker, Side Reflector, No. Plate

Lamp Part No.	ST10078554
Lens Part No.	ST10071099
Connector	Schlemmer Plug
Hand	Right
Length	466mm
Height	130mm
Depth	80mm
Mounting Ctrs	152mm
Bolt Holes	2 x M8
Side Marker	Yes



Model 360 Rear Lamp - Stop, Twin Tail, Fog, Reverse, Indicator, Reflex Reflector, Side Marker, Side Reflector

Lamp Part No.	ST10078555
Lens Part No.	ST10071099
Connector	Schlemmer Plug
Hand	Left
Length	466mm
Height	130mm
Depth	80mm
Mounting Ctrs	152mm
Bolt Holes	2 x M8
Side Marker	Yes



Model 360 Rear Lamp - Stop, Twin Tail, Fog, Reverse, Indicator, Reflex Reflector, Side Marker, Side Reflector, No. Plate

Lamp Part No.	ST10078552
Lens Part No.	ST10071099
Connector	Side Cable Entry
Hand	Right
Length	466mm
Height	130mm
Depth	80mm
Mounting Ctrs	152mm
Bolt Holes	2 x M8
Side Marker	Yes



Model 360 Rear Lamp - Stop, Twin Tail, Fog, Reverse, Indicator, Reflex Reflector, Side Marker, Side Reflector

Lamp Part No.	ST10078553
Lens Part No.	ST10071099
Connector	Side Cable Entry
Hand	Left
Length	466mm
Height	130mm
Depth	80mm
Mounting Ctrs	152mm
Bolt Holes	2 x M8
Side Marker	Yes



ELECTRICAL

# Rubbolite Components

## Model 360 Rear Lamp - Stop, Twin Tail, Fog, Reverse, Indicator, Reflex Reflector, Side Marker, Side Reflector, No. Plate

Lamp Part No.	ST10072402
Lens Part No.	ST10071099
Connector	Rear Cable Entry
Hand	Right
Length	465mm
Height	130mm
Depth	80mm
Mounting Ctrs	152mm
Bolt Holes	2 x M8
Side Marker	Yes



## Model 360 Rear Lamp - Stop, Twin Tail, Fog, Reverse, Indicator, Reflex Reflector, Side Marker, Side Reflector, No. Plate

Lamp Part No.	ST10074229
Lens Part No.	ST10071099
Connector	Rear Cable Entry
Hand	Left
Length	465mm
Height	130mm
Depth	80mm
Mounting Ctrs	152mm
Bolt Holes	2 x M8
Side Marker	Yes



## Model 360 Rear Lamp - Stop, Twin Tail, Fog, Reverse, Indicator, Reflex Reflector, Side Marker, Side Reflector

Lamp Part No.	ST10078551
Lens Part No.	ST10071099
Connector	Rear Cable Entry
Hand	Left & Right
Length	465mm
Height	130mm
Depth	80mm
Mounting Ctrs	152mm
Bolt Holes	2 x M8
Side Marker	Yes



Notes:

# Rubbolite Components

## Model 756 Rear Lamp



Description			Part No.	
LH Lamp with triangle reflector			ST10073740	
RH Lamp with triangle reflector			ST10073739	
Width	Height	Depth	Bolts	Bolt Centre
445mm	139mm	30mm	M8	150mm

Notes: Trailer application only

## Model 756 Rear Lamp



Description			Part No.	
LH & RH Lamp with square reflectors			ST10072250	
LH & RH Lamp with square reflectors Vertical Mount			ST10078564	
Width	Height	Depth	Bolts	Bolt Centre
445mm	139mm	30mm	M8	150mm

Notes: Suitable for Truck & Trailer application

## Model 340 Rear Lamp



Description			Part No.	
Lamp			ST10074570	
Lens			ST10072590	
Bulb Holder			ST10078565	
Width	Height	Depth	Bolts	Bolt Centre
134mm	92mm	55mm	M6	58mm

Notes: Lamp comes with cable entry

## Model 465 Rear Lamp



Description			Part No.	
LH & RH Lamp			ST10072678	
RH Lamp with No. Plate light			ST10078566	
LH Lamp with No. Plate light			ST10078567	
LH & RH replacement lens			ST10077510	
Lamp holder with side marker			ST10078568	
Lamp holder without side marker			ST10078569	
Width	Height	Depth	Bolts	Bolt Centre
445mm	139mm	30mm	M8	150mm

Notes: All lamps come with cables

## Model 201 Rear Lamp



Description			Part No.	
Lamp			ST10073637	
Lens			ST10078570	
Bulb Holder			ST10072848	
Light Blank			ST10071010	
Width	Height	Depth	Bolts	Bolt Centre

Notes: Lamp comes with cable entry

## Model THQ04 Rear Lamp



Description			Part No.	
Right Hand Lamp with Fog(Cable Entry)			ST10077313	
Left hand Lamp with Reverse (Cable Entry)			ST10077314	
Right Hand Lens with Fog			ST10078571	
Left Hand Lens with Reverse			ST10078572	
Width	Height	Depth	Bolts	Bolt Centre
230mm	111mm	42mm	M8	152mm

Notes: All lamps come with cable

# Rubbolite Components

## Model 800 Rear Lamp



Description	Part No.
RH Lamp with Indicator & Reverse	ST10071544
LH Lamp with Indicator & Reverse	ST10071545
LH & RH Lamp with Twin Indicators	ST10073980
Reflective Triangle	ST10071537
LH Lens with reverse	ST10072706
RH Lens with reverse	ST10072367
Lens Assembly with 2 Indicators	ST10072368
RH Bezel Assembly with Reflector & Lenses	ST10072401
LH Bezel Assembly with Reflector & Lenses	ST10072707
Bulb Holder	ST10078573
Lens Bezel & 4 Clips	ST10071903
LED Stop & Tail Pod	ST10078574

Width	Height	Depth	Bolts	Bolt Centre
384mm	150mm	90mm	M8	152mm

Notes: All lamps come with cable entry

## Model 462 Rear Lamp



Description	Part No.
RH Lamp	ST10074445
LH Lamp	ST10074446
LH Lamp with number plate light	ST10078575
RH Lamp with reverse alarm	ST10078576
LH & RH Lens	ST10076776

Width	Height	Depth	Bolts	Bolt Centre
357mm	130mm	90mm	M8	160mm

Notes: All lamps come with DIN type connectors

## Model 463 Rear Lamp



Description	Part No.
RH Lamp	ST10078577
LH Lamp	ST10078578
LH Lamp with number plate light	ST10078579
RH Lamp with reverse alarm	ST10078580
Replacement Lens RH & LH	ST10077214
Replacement DIN connector	ST10078610

Width	Height	Depth	Bolts	Bolt Centre
500mm	130mm	90mm	M8	152mm

Notes: All lamps come with DIN type connectors

## Model 802 Rear Lamp



Description	Part No.
L/H lamp	ST10078581
R/H lamp	ST10078582
L/H lamp with stork lamp mounting holes	ST10078583
R/H lamp with stork lamp mounting holes	ST10078584
L/H lamp with led stork lamp	ST10078590
R/H lamp with led stork lamp	ST10078589
L/H Replacement Lens	ST10078585
R/H Replacement Lens	ST10078586
LED Stop & Tail Pod	ST10078587
Reflector	ST10078588

Width	Height	Depth	Bolts	Bolt Centre
386mm	151mm	98mm	M20	152mm

Notes: All lamps come with 2 way superseal connector

# Rubbolite Components

## Model 38 Rear Light



Description		Part No.		
Lamp with Number Plate Light		ST10078591		
Lamp		ST10078592		
Stop & Tail Lens with Number Plate Light		ST10072348		
Stop & Tail Lens		ST10078593		
Indicator Lens		ST10072330		
Reflector		ST10078594		
Stop & Tail Bulb Holder		ST10073175		
Indicator Bulb Holder		ST10073177		

Width	Height	Depth	Bolts	Bolt Centre
273mm	114mm	91mm	M6	159 x 70mm

Notes:

## Model 262 Rear Lamp



Description		Part No.		
Lamp with Twin Rear Light		ST10074576		
RH Lamp with Twin Rear & Number Plate Lights		ST10074421		
LH Lamp with Twin Rear & Number Plate Lights		ST10078595		
Lens for ST10074576		ST10074422		
Lens for ST10078595		ST10078596		
Lens For ST10074421		ST10078597		
Bulb Holder		ST10078598		

Width	Height	Depth	Bolts	Bolt Centre
378mm	108mm	102mm	M8	152mm

Notes: All lamps come with cable entry

## Model 80 Rear Lamp



Description		Part No.		
RH Lamp with Number Plate Light		ST10073160		
LH Lamp with Number Plate Light		ST10078599		
RH Lamp Without Number plate Light		ST10078600		
LH Lamp Without Number plate Light		ST10078601		
Light Blank		ST10071006		
Lens Fasteners		ST10073183		
Stop & Indicator Lens		ST10071007		
Reverse & Tail Lens		ST10071370		
Reverse, Tail & No. Plate Lens		ST10074344		
Fog Parabolic Reflector		ST10074219		
Fog Lens SP		ST10071096		
Bulb Holder Fog SP		ST10072329		
Bulb Holder Stop / Indicator SP		ST10072351		
Bulb Holder Reverse / Rear / No. Plate SP		ST10078602		

Width	Height	Depth	Bolts	Bolt Centre
323mm	153mm	93mm	M6	110 x 73mm

Notes:

## Model 203 Rear Lamp



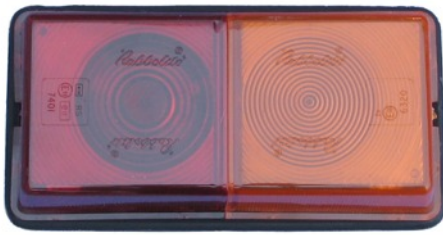
Description		Part No.		
RH Lamp with Reverse Light		ST10078603		
LH Lamp with Reverse Light		ST10078604		
RH Lamp with Twin Rear Light		ST10078605		
LH Lamp with Twin Rear Light		ST10071921		
Indicator & Stop Lens		ST10071013		
Twin Rear Lens		ST10071012		
Reverse & Reflex		ST10072349		
Fog Lens		ST10071008		
Indicator & Stop Bulb Holder SP		ST10072355		
Twin Rear, Stop & Reflex Bulb Holder SP		ST10072375		
Twin Rear Holder SP		ST10072352		
Fog Holder SP		ST10072364		
Indicator Holder SP		ST10078606		

Width	Height	Depth	Bolts	Bolt Centre
335mm		91mm	M6	111mm

Notes:

# Rubbolite Components

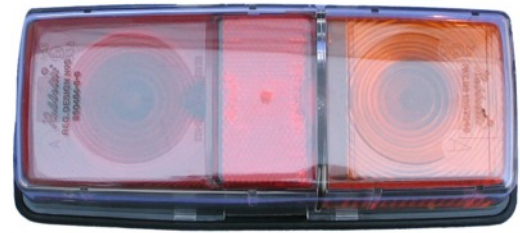
## Model 64 Rear Light



Description		Part No.		
Lamp		ST10078607		
Lens		ST10076687		
Stop & Tail Bulb Holder		ST10077478		
Indicator Bulb Holder		ST10071485		
Width	Height	Depth	Bolts	Bolt Centre
202mm	104mm	50mm	M6	150mm

Notes: Lamp comes with cable entry

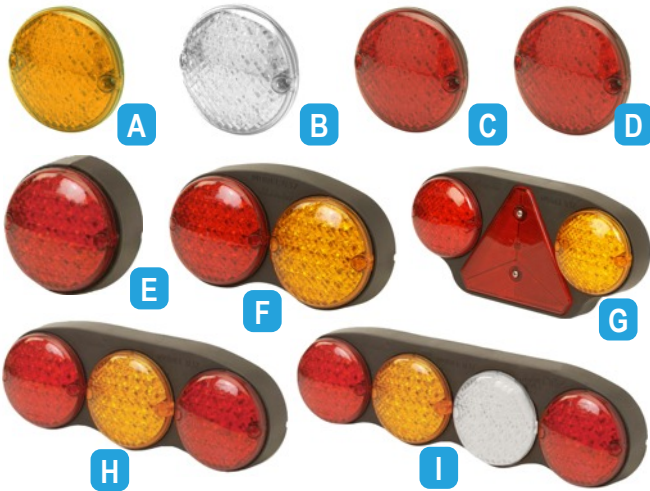
## Model 61 Rear Light



Description		Part No.		
Lamp		ST10078608		
Lens Assembly		ST10078609		
Width	Height	Depth	Bolts	Bolt Centre
240mm	105mm	90mm	M6	88mm

Notes: Lamp comes with cable entry

## Model 837 Rear Lamp



Description	Item	Part No.
Indicator Lamp	A	ST10072935
Reverse Lamp	B	ST10072936
Stop & Tail Lamp	C	ST10072933
Fog Lamp	D	ST10072934
1 Functional Bezel without light	E	ST10078613
2 Functional Bezel without light	F	ST10078614
2 Functional Bezel without light	G	ST10078615
3 Functional Bezel without light	H	ST10078616
4 Functional Bezel without light	I	ST10072932
Reflective Triangle	J	ST10071537

Notes:

## Model 838 Rear Lamp Assembly



Description	Part No.
Stop & Tail Lamp	ST10078617
Fog Lamp	ST10078618
Indicator Lamp	ST10078619
Reverse Lamp	ST10078620
Stop & Tail Lamp Indicator	ST10078623
2 Functional Bezel Holder	ST10078621
3 Functional Bezel Holder	ST10078622
Reflective Triangle	ST10071537

Notes:



# Rubbolite Components

## Model 312 Rear Light LED



Description		Part No.		
Light with Stop Tail & Indicator		ST10074774		
LED Stop & Tail Unit		ST10071844		
LED Indicator Unit		ST10076697		
Width	Height	Depth	Bolts	Bolt Centre
222mm	111mm	55mm	M6	111mm

Notes: Lamp comes with cable entry

## Model 313 Rear Light Bulb



Description		Part No.		
Light with Stop Tail, Fog & Indicator		SC1737633		
Stop & Tail Lens		ST10073158		
Indicator Lens		ST10071181		
Fog Lens		ST10071008		
Width	Height	Depth	Bolts	Bolt Centre
333mm	111mm	55mm	M6	222mm

Notes: Lamp comes with cable entry  
LED versions available, please contact retailer for more information

## Model 314 Rear Light Bulb



Description		Part No.		
Light with Stop Tail, Fog Reverse & Indicator		ST10074228		
Stop & Tail Lens		ST10073158		
Indicator Lens		ST10071181		
Fog Lens		ST10071008		
Reverse		ST10072782		
Width	Height	Depth	Bolts	Bolt Centre
444mm	111mm	55mm	M6	333mm

Notes: Lamp comes with cable entry  
LED versions available, please contact retailer for more information

## Model 810 Rear Lamp LED



Lamp Part No.	ST10071728
Size	Dia 140 x D84mm

Notes:

## Model 811 Rear Lamp Bulb



Lamp Part No.	SC1737632
Lens Part No.	ST10073276
Size	Dia 140 x D85mm

Notes:

# Rubbolite Components

ELECTRICAL

**Model 101 - LED Side Marker Lamp**



Lamp Part No.	ST10078625
Lens Part No.	ST10078626
Size	W78.5 x H29.5 x D28mm

Notes:

**Model 590 - LED Side Marker Lamp**



Lamp Part No.	ST10073720
Size	W65 x H65 x D29.5mm

Notes:


**Model 590 - Bulb Side Marker Lamp**



Lamp Part No.	ST10076772
Lens Part No.	ST10078624
Size	W65 x H65 x D29.5mm

Notes:

**Model 626 - LED Side Marker Lamp**



Lamp Part No.	ST10073024
LED Unit Part No.	ST10073507
Bezel Part No.	ST10071489
Bracket	ST10071509
Size	W136 x H69 x D34mm

Notes:

**Model 610 - Bulb Side Marker Lamp**



Lamp Part No.	ST10078628
Lamp Holder	ST10079119
Size	W103 x H56 x D13mm

Notes:

**Model 615 - LED Side Marker Lamp**



Lamp Part No.	ST10078627
Size	W103 x H56 x D13mm

Notes:

## Models 332, 333, 334, 335, 626 - Side Marker Lamps



Part No.	Description	Type	Item	Comes with	Sizes
SC1737567	Lamp Model 332	Bulb	1	Bezel	W108 x H65 x D42mm
ST10071094	Lamp Model 333	Bulb	2	Pendant	W108 x H65 x D42mm
ST10071033	Lamp Model 334	Bulb	2	Vertical Brkt	W108 x H65 x D42mm
ST10071196	Lamp Model 335	Bulb	2	Horizontal Brkt	W108 x H65 x D42mm
ST10071036	Lamp Model 626	Led	3	Bezel	W108 x H65 x D30mm
ST10072138	Lamp Model 626	LED (ADR Version)	3	Bezel	W108 x H65 x D30mm
ST10071101	Lens	For Models 332, 333, 334, 335			
ST10071025	LED Unit	For Model 626			
ST10071489	Bezel	Suits all Models			
ST10071387	Pendant	Suits all Models			
ST10071510	Vertical Brkt	Suits all Models			
ST10071509	Horizontal Brkt	Suits all Models			

Notes:

# Rubbolite Components

**Model 890 - LED Side Marker Lamp**



Lamp Part No.	ST10071504
Connector	Superseal
Vertical Bracket	ST10078630
Horizontal Bracket	ST10072116
Size	W124 x H38 x D15mm

Notes:

**Model 891 - LED Side Marker Lamp**



Lamp Part No.	ST10071507
Connector	500mm Cable
Vertical Bracket	ST10078630
Horizontal Bracket	ST10072116
Size	W124 x H38 x D15mm

Notes:

**Model 55 - Bulb Side Marker Lamp**



Lamp Part No.	ST10072783
Lens Part No.	ST10071002
Reflector Part No.	ST10076503
Size	W140 x H93 x D69mm

Notes:

**Model 550 - Bulb Side Marker Lamp**



Lamp Part No.	ST10071035
Lens Part No.	ST10071542
Bezel Part No.	ST100778629
Size	W115 x H54.5 x D34mm

Notes:

**Model 110 - Bulb Side Marker Lamp**



Lamp Part No.	ST10075000
Lens Part No.	ST10078632
Bulb Holder	ST10078633
Size	W88 x H40 x D30

Notes:

**Model 893 - LED Side Marker Lamp**



Lamp Part No.	ST10078634
Vertical Bracket.	ST10077278
Horizontal Bracket	ST10076867
Size	W100 x H40 x D17

Notes:

**Model 28 - Bulb Side Marker Lamp**



Lamp Part No.	ST10078635
Lens Part No.	ST10071002
Size	H94 x W94 x D26mm

Notes:

**Model 22 - Bulb Side Marker Lamp**



Lamp Part No.	ST10078636
Lens Part No.	ST10071002
Size	H94 x W94 x D26mm

Notes:

**Model 894 - LED Side Marker Lamp**



Lamp Part No.	ST10073318
Vertical Bracket.	ST10077278
Horizontal Bracket	ST10076867
Size	W100 x H38 x D15

Notes:

**Model 595 - Bulb Side Marker Lamp**



Lamp Part No.	ST10071385
Lens Part No.	ST10078631
Size	W125 x H40 x D11mm

Notes:

**Model 594 - LED Side Marker Lamp**



Lamp Part No.	ST10073277
Size	W120 x H45 x D10mm

Notes: Wire entry, cable length 500mm

# Rubbolite Components

ELECTRICAL

**Model 890 - LED Rear Marker Lamp**



Lamp Part No.	ST10071503
Connector	Superseal
Vertical Bracket	ST10078630
Horizontal Bracket	ST10072116
Size	W124 x H38 x D15mm

Notes:

**Model 891 - LED Rear Marker Lamp**



Lamp Part No.	ST10071506
Connector	500mm Cable
Vertical Bracket	ST10078630
Horizontal Bracket	ST10072116
Size	W124 x H38 x D15mm

Notes:

**Model 595 - Bulb Rear Marker Lamp**



Lamp Part No.	ST10078638
Lens Part No.	ST10078639
Size	W125 x H40 x D11mm

Notes:

**Model 550 - Bulb Rear Marker Lamp**



Lamp Part No.	ST10071034
Lens Part No.	ST10071015
Bezel Part No.	ST10076624
Size	W115 x H54.5 x D34mm

Notes:

**Model 553 - Bulb Rear Marker Lamp**



Lamp Part No.	ST10071381
LED Unit Part No.	ST10078640
Bezel Part No.	ST10076624
Size	W79 x H42 x D34mm

Notes:

**Model 110 - Bulb Rear Marker Lamp**



Lamp Part No.	ST10073450
Lens Part No.	ST10072640
Bulb Holder	ST10078633
Size	W88 x H40 x D30

Notes:

**Model 51 - Bulb Rear Marker Lamp**



Lamp Part No.	ST10071491
Lens Part No.	ST10071355
Bulb Holder	ST10071485
Size	Dia 56mm x 78mm

Notes:

**Model 856 - LED Rear Marker Lamp**



Part No.	ST10074161
Connector	Superseal
Size	Dia 36mm x 16mm

Notes:

**Model 50 - Bulb Rear Marker Lamp**



Lamp Part No.	ST10078642
Lens Part No.	ST10071091
Bulb Holder	ST10071354
Bracket Part No.	ST10078643
Size	Dia 50mm x 91mm

Notes:

# Rubbolite Components

**Model 856 - LED Rear Marker Lamp**



Part No.	ST10073165
Connector	500mm Cable
Size	Dia 36mm x 16mm

Notes:

**Model 857 - LED Rear Marker Lamp**



Part No.	ST10078641
Connector	PU 500mm Cable
Size	Dia 36mm x 16mm

Notes:

**Model 129 - Bulb Rear Marker Lamp**



Lamp Part No.	ST10073032
Lens Part No.	ST10078644
Bracket Part No	ST10076867
Size	W70 x H27 x D69mm

Notes:

**Model 894 - LED Rear Marker Lamp**



Lamp Part No.	ST10078647
Vertical Bracket.	ST10077278
Horizontal Bracket	ST10076867
Size	W100 x H38 x D15

Notes:

**Model 893 - LED Rear Marker Lamp**



Lamp Part No.	ST10078648
Vertical Bracket.	ST10077278
Horizontal Bracket	ST10076867
Size	W100 x H40 x D17

Notes:

**Model 850 - LED Rear Marker Lamp**



Lamp Part No.	ST10071500
Connector	Superseal
Size	W67 x H37 x D16

Notes:

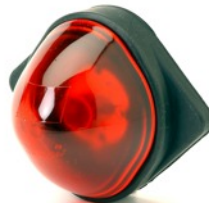
**Model 851 - LED Rear Marker Lamp**



0.5m Part No.	SC1737640
5m Part No.	ST10071501
Connector	Fly Lead
Size	W67 x H37 x D16

Notes:

**Model 22 - Bulb Rear Marker Lamp**



Lamp Part No.	ST10078645
Lens Part No.	ST10078646
Size	H94 x W94 x D26mm

Notes:

**Model 51 - Bulb Front Marker Lamp**



Lamp Part No.	ST10071490
Lens Part No.	ST10071003
Bulb Holder	ST10071485
Size	Dia 56mm x 78mm

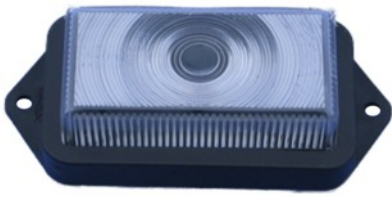
Notes:

ELECTRICAL

# Rubbolite Components

ELECTRICAL

**Model 550 - Bulb Front Marker Lamp**



Lamp Part No.	ST10071197
Lens Part No.	ST10071016
Bezel Part No.	ST10078629
Size	W115 x H54.5 x D34mm

Notes:

**Model 50 - Bulb Front Marker Lamp**



Lamp Part No.	ST10072998
Lens Part No.	ST10071090
Bulb Holder	ST10071354
Bracket Part No.	ST10078643
Size	Dia 50mm x 91mm

Notes:

**Model 553 - Front Marker Lamp**



Lamp Part No.	ST10071497
LED Unit Part No.	ST10074649
Bezel Part No.	ST10078629
Size	W79 x H42 x D34mm

Notes:

**Model 110 - Bulb Front Marker Lamp**



Lamp Part No.	ST10078650
Lens Part No.	ST10078651
Bulb Holder	ST10078633
Size	W88 x H40 x D30

Notes:

**Model 893 - LED Front Marker Lamp**



Lamp Part No.	ST10078653
Vertical Bracket.	ST10077278
Horizontal Bracket	ST10076867
Size	W100 x H40 x D17

Notes:

**Model 595 - Bulb Front Marker Lamp**



Lamp Part No.	ST10074128
Lens Part No.	ST10078652
Size	W125 x H40 x D11mm

Notes:

**Model 890 - LED Front Marker Lamp**



Lamp Part No.	ST10071502
Connector	Superseal
Vertical Bracket	ST10078630
Horizontal Bracket	ST10072116
Size	W124 x H38 x D15mm

Notes:

**Model 891 - LED Front Marker Lamp**



Lamp Part No.	ST10071505
Connector	500mm Cable
Vertical Bracket	ST10078630
Horizontal Bracket	ST10072116
Size	W124 x H38 x D15mm

Notes:

**Model 894 - LED Front Marker Lamp**



Lamp Part No.	ST10076987
Vertical Bracket.	ST10077278
Horizontal Bracket	ST10076867
Size	W100 x H38 x D15

Notes:

# Rubbolite Components

**Model 129 - Bulb Front Marker Lamp**



Lamp Part No.	ST10073033
Lens Part No.	ST10078654
Bracket Part No	ST10076867
Size	W70 x H27 x D69mm

Notes:

**Model 856 - LED Front Marker Lamp**



Part No.	ST10072705
Connector	150mm Cable
Size	Dia 36mm x 16mm

Notes:

**Model 856 - LED Front Marker Lamp**



Part No.	ST10072472
Connector	Superseal
Size	Dia 36mm x 16mm

Notes:

**Model 850 - LED Front Marker Lamp**



Lamp Part No.	ST10072010
Connector	Superseal
Size	W67 x H37 x D16

Notes:

**Model 851 - LED Front Marker Lamp**



0.5m Part No.	SC1737639
5m Part No.	ST10078655
Connector	Fly Lead
Size	W67 x H37 x D16

Notes:

**Model 857 - LED Front Marker Lamp**



Part No.	ST10078611
Connector	PU 500mm Cable
Size	Dia 36mm x 16mm

Notes:

**Model 556 - LED Front Marker Lamp**



Lamp Part No.	ST10071498
Lens Part No.	ST10074526
Bracket	ST10078643
Size	Dia 35mm x D62mm

Notes:

**Model 555 - Bulb Front Marker Lamp**



Lamp Part No.	ST10071382
Lens Part No.	ST10072638
Bracket	ST10078643
Size	Dia 35mm x D63mm

Notes:

**Model 122 - LED Front Marker Lamp**



Lamp Part No.	ST10071352
Lens Part No.	ST10072458
Pendant Bracket	ST10071387
Horizontal Bracket	ST10071509
Vertical Bracket	ST10071510
Size	W108 x H65 x D42

Notes:

ELECTRICAL

# Rubbolite Components

**Model 51 - Bulb Green Marker Lamp**



Lamp Part No.	ST10071492
Lens Part No.	ST10071486
Bulb Holder	ST10071485
Size	Dia 56mm x 78mm

Notes:

**Model 851 - LED Green Marker Lamp**



Part No.	ST10074711
Connector	500mm Cable
Size	W67 x H37 x D16

Notes:

**Model 50 - Bulb Green Marker Lamp**



Lamp Part No.	ST10078656
Lens Part No.	ST10071541
Bulb Holder	ST10071354
Bracket	ST10078643
Size	Dia 50mm x 91mm

Notes:

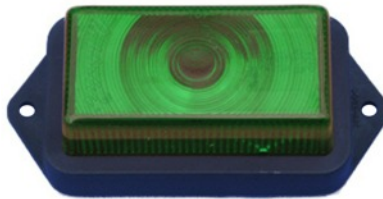
**Model 850 - LED Green Marker Lamp**



Lamp Part No.	ST10073656
Connector	Superseal
Size	W67 x H37 x D16

Notes:

**Model 550 - Bulb Green Marker Lamp**



Lamp Part No.	ST10071496
Lens Part No.	ST10074841
Bezel Part No.	ST10078629
Size	W115 x H54.5 x D34mm

Notes:

**Model 110 - Bulb Green Marker Lamp**



Lamp Part No.	ST10078657
Lens Part No.	ST10078658
Bulb Holder	ST10078633
Size	W88 x H40 x D30

Notes:

**Model 555 - Bulb Green Marker Lamp**



Lamp Part No.	ST10071383
Lens Part No.	ST10072639
Bracket	ST10078643
Size	Dia 35mm x D63mm

Notes:

ELECTRICAL



# Rubbolite Components

**Model 28 - Bulb Combination Lamp**



Lamp Part No.	ST10072643
Lens Part No.	ST10071092
Size	W94 x 94 x 70mm

Notes:

**Model 55 - Bulb Combination Lamp**



Lamp Part No.	ST10078659
Lens Part No.	ST10071092
Reflector Part No.	ST10076503
Size	W140 x H93 x D69mm

Notes:

**Model 22 - Bulb Combination Lamp**



Lamp Part No.	ST10078660
Lens Part No.	ST10071092
Size	W114 x H93 x D70mm

Notes:

**Model 899 - LED Combination Lamp**



Lamp Part No.	ST10079118
Size	W39 x H39

Notes:

**Model 597 - Bulb Combination Lamp**



Lamp Part No.	ST10073374
Lens Part No.	ST10078665
Pendant Part No.	ST10078666
Size	H34 x D125mm

Notes:

**Model 89 - Bulb Combination Lamp**



Lamp Part No.	ST10073025
Lens Part No.	ST10072749
Pendant Part No.	ST10072750
Size	W95 x H87 x D66mm

Notes:

**Model 841 - LED Combination Lamp**



Lamp Part No.	ST10074370
Hand	Left
Type	Vertical
Size	W134 x H148

Notes:

**Model 841 - LED Combination Lamp**



Lamp Part No.	ST10074369
Hand	Right
Type	Vertical
Size	W134 x H148

Notes:

**Model 240 - Bulb Combination Lamp**



Lamp Part No.	ST10071361
Lens Part No.	ST10071384
Size	H190

Notes:

**Model 840 - LED Combination Lamp**



Lamp Part No.	ST10073283
Hand	Left
Type	Horizontal
Size	W147 x H148

Notes:

**Model 840 - LED Combination Lamp**



Lamp Part No.	ST10073282
Hand	Right
Type	Horizontal
Size	W147 x H148

Notes:

**Rubber Buffer**



Part No.	ST10078612
----------	------------

Notes: For Model 360

# Rubbolite Components

Model 810 Fog Lamp



Lamp Part No.	ST10074151
Size	Dia 140 x D84mm

Notes:

Model 201 - Fog Lamp



Lamp Part No.	ST10073608
Lens Part No.	ST10071008
Size	W113 x H113 x D91mm

Notes:

Model 56 - Fog Lamp



Lamp Part No.	ST10071538
Lens Part No.	ST10071539
Size	Dia 150mm x D110mm

Notes:

Model 311 - Fog Lamp



Lamp Part No.	ST10073273
Lens Part No.	ST10073159
Size	W111 x H111 x D55mm

Notes:

Model 222 - Work Lamp



Lamp Part No.	ST10078667
Lens Part No.	ST10078668
Size	Dia 151mm x D110mm

Notes:

Model 665 - Work Lamp



Lamp Part No.	ST10078669
Lens Part No.	ST10078670
Size	Dia 100mm x D104mm

Notes:

Model 56 - Work Lamp



Lamp Part No.	ST10072999
Lens Part No.	ST10073167
Size	Dia 150mm x D110mm

Notes:

Model 673 - Work Lamp



Lamp Part No.	ST10078671
Lens Part No.	ST10078672
Size	W164 x H100 x D64mm

Notes:

Model 56 - Reverse Lamp



Lamp Part No.	ST10073166
Lens Part No.	ST10073167
Size	Dia 150mm x D110mm

Notes:

Model 201 - Reverse Lamp



Lamp Part No.	ST10077374
Lens Part No.	ST10072782
Size	W113 x H113 x D91mm

Notes:

Model 222 - Reverse Lamp



Lamp Part No.	ST10078673
Lens Part No.	ST10078674
Size	Dia 151mm x D110mm

Notes:

Model 810 Reverse Lamp



Lamp Part No.	ST10078675
Size	Dia 140 x D84mm

Notes:

# Rubbolite Components

**Model 311 - Reverse Lamp**



Lamp Part No.	ST10078676
Lens Part No.	ST10078677
Size	W111 x H111 x D55mm
Notes:	

**Model 300 - Interior Lamp**



Lamp Part No.	ST10078678
Lens Part No.	ST10072785
Size	W112 x H112 x D27mm
Notes:	

**Model 33 - Interior Lamp**



Lamp Part No.	ST10078679
Lens Part No.	ST10078680
Size	W184 x H83 x D57mm
Notes:	

**Model 133 Number Plate Lamp**



Part No.	ST10071493
Size	W76 x H66 x D54mm
Notes:	

**Model 100 Number Plate Lamp**



Part No.	ST10071087
Part No.	ST10071029
Lens Part No.	ST10071095
Size	W114 x H57 x D67mm
Notes:	

**Model 833 Number Plate Lamp**



Part No.	ST10072943
Size	W76 x H65 x D53mm
Notes:	

**Model 560 Xenon Beacon**



Beacon Part No.	ST10074901
Lens Part No.	7771
Type	Xenon
Fixing	3 Bolt
Size	152mm Dia x H143mm
Notes:	

**Model 562 Xenon Beacon**



Beacon Part No.	ST10076747
Lens Part No.	7771
Type	Xenon
Fixing	3 Bolt Low Profile
Size	144mm Dia x H106mm
Notes:	

**Load Resistor**



Part No.	ST10073470
Type	24v
Notes:	

**Model 645 Number Plate Holder**



Part No.	ST10071271
Type	Complete with Lamp
Size	W328 x H254mm
Notes:	

**Model 645 Number Plate Holder**



Part No.	ST10071270
Type	Without Lamp
Size	W328 x H254mm
Notes:	

**Model 645 Number Plate Light Bracket**



Part No.	ST10078681
Notes: for holders ST10071270 & ST10071271	

# Rubbolite Components

## Bulb Holder Chart



Double Pole



Single Pole

Part No.	Type	Application
ST10071088		
ST10071089		
ST10071485	Single Pole	Model 64 (Stop) / Model 88 / Model 51 / Model 240 / Model 89 / Model 56 / Model 33 / Model 240
ST10074217		
ST10077478		Model 64 (Indicator) / Model 88
ST10073175	Single Pole	Model 38
ST10071354	Single Pole	Model 50
ST10072347		
ST10073177	Single Pole	Model 38
ST10072020	Single Pole	Model 100 (5 Watt)
ST10071004	Single Pole	Model 100 (10 Watt)
ST10071005	Single Pole	Model 55 / Model 28 / Model 22
ST10072329	Single Pole	Model 80 (Fog)
ST10072351	Single Pole	Model 80 (Stop, Indicator)
ST10078682	Single Pole	Model 80 (Tail, Reverse, Reflex, No. Plate)
ST10078683	Single Pole	Model 80 (Tail, Reflex, No. Plate)
ST10072645	Double Pole	
ST10071009	Double Pole	
ST10072646	Double Pole	
ST10072355	Single Pole	Model 203 (Stop, Indicator)
ST10071011	Double Pole	
ST10072375	Single Pole	Model 203 (Twin Rear, Stop, Reflex)
ST10072352	Single Pole	Model 203 (Twin Rear)
ST10078684	Single Pole	Model 222 (Reverse)
ST10072364	Single Pole	Model 203 (Fog)
ST10072848		
ST10078685		Model 261 / Model 262 / Model 263
ST10078686	Single Pole	Model 203 (Indicator)
ST10074919		Model 314 ( Fog, Reverse) / Model 313 (Twin Rear) / Model 312 (Fog, Tail, Indicator)
ST10078687	Single Pole	Model 138 / Model 133 / Model 314 (Indicator) / Model 313 (Indicator, Reverse) / Model 312 (Reverse, Indicator) / Model 311 (Fog, Reverse)
ST10078688		Model 313 (Tail, Stop) / Model 312 (Tail, Stop)
ST10078689		Model 314 (Stop)
ST10078690		Model 314 (Rear) / Model 313 (Stop) / Model 312 (Twin Rear)
ST10078691		Model 300
ST10078692		Model 340
ST10078693		Model 340
ST10071102	Single Pole	Model 551 / Model 550 Model 332 / Model 333 / Model 334 / Model 335 / Model 122
ST10078694		Model 362
ST10078695		Model 360 (RH)
ST10078696		Model 360 (LH)
ST10078697		Model 590
ST10074225		Model 461 (RH)
ST10074226		Model 461 (LH)
ST10078698		Model 110
ST10078699		Model 800

# Rubbolite Components

## Model 111 Single Height Junction Box



Empty Box	ST10074071
Box & 1 x 8 Way Terminals	ST10071540
Box & 2 x 8 Way Terminals	ST10072398
Replacement Lid	ST10072354

Notes: Size: W144 x H101 x D47mm

## Model 111 Double Height Junction Box



Box & 2 x 8 Way Terminals	ST10073238
Replacement Lid	ST10072354

Notes: Size: W144 x H101 x D71mm

## Model 820 Junction Plate



Part No.	ST10073716
Size	W252mm x 134mm

Notes:

## Model 820 Junction Plate



Part No.	ST10074589
Size	W252mm x 134mm

Notes:

## Model 108 Junction Box



Part No.	ST10071194
Type	8 Way
Size	W102 x H74 x D38mm

Notes:

## Model 120 Junction Box



Box Assy Part No.	SC1737631
Type	8 Way
Lid Assy Part No.	ST10078700
Terminal Block No.	ST10078701
Grommet kit No.	ST10078702
Size	W170 x H108 x D70mm

Notes:

## Model 118 Junction Box



Part No.	ST10078703
Type	7 Way
Size	W110 x H89 x D29mm

Notes:

## Model 120 Junction Box



Box Assy Part No.	ST10073647
Type	16 Way
Lid Assy Part No.	ST10078700
Terminal Block No.	ST10078705
Grommet kit No.	ST10078706
Size	W170 x H108 x D95mm

Notes:

## Model 120 Reverse Alarm



Part No.	ST10072598
Size	W58 x H100 x D24mm

Notes:

## Euro Point 1 Rear Lamp - Stop, Twin Tail, Fog, Reverse, Indicator, Reflective Triangle, Side Marker, Side Reflector

Lamp Part No.	ST10270659
Lens Part No.	ST10270404
Type	Bulb
Hand	Right
Length	422mm
Height	148mm
Depth	75mm
Mounting Ctrs	152mm
Bolt Holes	M8
Side Marker	Yes



## Euro Point 1 Rear Lamp - Stop, Twin Tail, Fog, Reverse, Indicator, Reflective Triangle, Side Marker, Side Reflector

Lamp Part No.	ST10270645
Lens Part No.	ST10270404
Type	Bulb
Hand	Left
Length	422mm
Height	148mm
Depth	75mm
Mounting Ctrs	152mm
Bolt Holes	M8
Side Marker	Yes



## (Without Triangle) Early Type Eco Point 1 Rear Lamp - Stop, Tail, Fog, Reverse, Indicator, Reflex Reflector

Lamp Part No.	ST10270603
Lens Part No.	ST10270399
Type	Bulb
Hand	Right
Length	343mm
Height	140mm
Depth	78mm
Mounting Ctrs	152mm
Bolt Holes	M8
Side Marker	No



## (Without Triangle) Eco Point 1 Rear Lamp - Stop, Tail, Fog, Reverse, Indicator, Reflex Reflector

Lamp Part No.	ST10270558
Lens Part No.	ST10270399
Type	Bulb
Hand	Left
Length	343mm
Height	140mm
Depth	78mm
Mounting Ctrs	152mm
Bolt Holes	M8
Side Marker	No



## Eco Point 1 Rear Lamp - Stop, Tail, Fog, Reverse, Indicator, Reflective Triangle, Rubber Side LED Marker Arm

Lamp Part No.	ST10272052
Lens Part No.	ST10270400
Type	LED
Hand	Right
Length	476mm
Height	140mm
Depth	78mm
Mounting Ctrs	152mm
Bolt Holes	M8
Side Marker	Yes



## Eco Point 1 Rear Lamp - Stop, Tail, Fog, Reverse, Indicator, Reflective Triangle, Rubber Side LED Marker Arm

Lamp Part No.	ST10272053
Lens Part No.	ST10270400
Type	LED
Hand	Left
Length	476mm
Height	140mm
Depth	78mm
Mounting Ctrs	152mm
Bolt Holes	M8
Side Marker	Yes



## Eco Point 1 Rear Lamp - Stop, Tail, Fog, Reverse, Indicator, Reflective Triangle

Lamp Part No.	ST10270622
Lens Part No.	ST10270400
Type	LED
Hand	Right
Length	344mm
Height	140mm
Depth	78mm
Mounting Ctrs	152mm
Bolt Holes	M8
Side Marker	No



## Eco Point 1 Rear Lamp - Stop, Tail, Fog, Reverse, Indicator, Reflective Triangle

Lamp Part No.	ST10270578
Lens Part No.	ST10270400
Type	LED
Hand	Left
Length	344mm
Height	140mm
Depth	78mm
Mounting Ctrs	152mm
Bolt Holes	M8
Side Marker	No



## Eco Point 1 Rear Lamp - LED Stop & Tail only, Fog, Reverse, Indicator, Reflective Triangle, Rubber Side Marker Arm

Lamp Part No.	ST10270632
Lens Part No.	ST10270400
Type	Bulb & LED
Hand	Right
Length	490mm
Height	140mm
Depth	78mm
Mounting Ctrs	152mm
Bolt Holes	M8
Side Marker	Yes



## Eco Point 1 Rear Lamp - LED Stop & Tail only, Fog, Reverse, Indicator, Reflective Triangle, Rubber Side Marker Arm

Lamp Part No.	ST10270590
Lens Part No.	ST10270400
Type	Bulb & LED
Hand	Right
Length	490mm
Height	140mm
Depth	78mm
Mounting Ctrs	152mm
Bolt Holes	M8
Side Marker	Yes



## Eco Point 1 Rear Lamp - LED Stop & Tail only, Fog, Reverse, Indicator, No. Plate, Reflective Triangle, Rubber Side Marker Arm

Lamp Part No.	ST10270640
Lens Part No.	ST10270400
Type	Bulb & LED
Hand	Right
Length	490mm
Height	140mm
Depth	78mm
Mounting Ctrs	152mm
Bolt Holes	M8
Side Marker	Yes



No. Plate Light

## Eco Point 1 Rear Lamp - LED Stop & Tail only, Fog, Reverse, Indicator, No. Plate, Reflective Triangle, Rubber Side Marker Arm

Lamp Part No.	ST10270597
Lens Part No.	ST10270400
Type	Bulb & LED
Hand	Left
Length	490mm
Height	140mm
Depth	78mm
Mounting Ctrs	152mm
Bolt Holes	M8
Side Marker	Yes



No. Plate Light



## Eco Point 1 Rear Lamp - LED Stop & Tail only, Fog, Reverse, Indicator, Reflex Reflector

Lamp Part No.	ST10270614
Lens Part No.	ST10270400
Type	Bulb & LED
Hand	Right
Length	343mm
Height	140mm
Depth	78mm
Mounting Ctrs	152mm
Bolt Holes	M8
Side Marker	No



## Eco Point 1 Rear Lamp - LED Stop & Tail only, Fog, Reverse, Indicator, Reflex Reflector

Lamp Part No.	ST10270570
Lens Part No.	ST10270400
Type	Bulb & LED
Hand	Left
Length	343mm
Height	140mm
Depth	78mm
Mounting Ctrs	152mm
Bolt Holes	M8
Side Marker	No



## Eco Point 1 Rear Lamp - Stop, Tail, Fog, Reverse, Indicator, Reflective Triangle, Rubber Side Marker Arm

Lamp Part No.	ST10270630
Lens Part No.	ST10270400
Type	Bulb
Hand	Right
Length	490mm
Height	140mm
Depth	78mm
Mounting Ctrs	152mm
Bolt Holes	M8
Side Marker	Yes



## Eco Point 1 Rear Lamp - Stop, Tail, Fog, Reverse, Indicator, Reflective Triangle, Rubber Side Marker Arm

Lamp Part No.	ST10270588
Lens Part No.	ST10270400
Type	Bulb
Hand	Left
Length	490mm
Height	140mm
Depth	78mm
Mounting Ctrs	152mm
Bolt Holes	M8
Side Marker	Yes



## Eco Point 1 Rear Lamp - Stop, Tail, Fog, Reverse, Indicator, Reflective Triangle

Lamp Part No.	ST10270610
Lens Part No.	ST10270400
Type	Bulb
Hand	Right
Length	343mm
Height	140mm
Depth	78mm
Mounting Ctrs	152mm
Bolt Holes	M8
Side Marker	No



## Eco Point 1 Rear Lamp - Stop, Tail, Fog, Reverse, Indicator, Reflective Triangle

Lamp Part No.	ST10270566
Lens Part No.	ST10270400
Type	Bulb
Hand	Left
Length	343mm
Height	140mm
Depth	78mm
Mounting Ctrs	152mm
Bolt Holes	M8
Side Marker	No



## Euro Point 2 Rear Lamp - Stop, Tail, Fog, Reverse, Indicator, Reflective Triangle (With LED Tail)

Lamp Part No.	ST10270694
Lens Part No.	ST10270405
Type	Bulb
Hand	Right
Length	420mm
Height	149mm
Depth	85mm
Mounting Ctrs	152mm
Bolt Holes	M8
Side Marker	No



## Euro Point 2 Rear Lamp - Stop, Tail, Fog, Reverse, Indicator, Reflective Triangle (With LED Tail)

Lamp Part No.	ST10270677
Lens Part No.	ST10270405
Type	Bulb
Hand	Left
Length	420mm
Height	149mm
Depth	85mm
Mounting Ctrs	152mm
Bolt Holes	M8
Side Marker	No



## Euro Point 2 Rear Lamp - Stop, Tail, Fog, Reverse, Indicator, Reflective Triangle, Side Marker, Side Reflector

Lamp Part No.	ST10270686
Lens Part No.	ST10270405
Type	Bulb
Hand	Right
Length	420mm
Height	149mm
Depth	85mm
Mounting Ctrs	152mm
Bolt Holes	M8
Side Marker	Yes



## Euro Point 2 Rear Lamp - Stop, Tail, Fog, Reverse, Indicator, Reflective Triangle, Side Marker, Side Reflector

Lamp Part No.	ST10270669
Lens Part No.	ST10270405
Type	Bulb
Hand	Left
Length	420mm
Height	149mm
Depth	85mm
Mounting Ctrs	152mm
Bolt Holes	M8
Side Marker	Yes



## Euro Point 2 Rear Lamp - Stop, Tail, Fog, Reverse, Indicator, Reflective Triangle, Side Marker, Side Reflector

Lamp Part No.	ST10270699
Lens Part No.	ST10270405
Type	Bulb
Hand	Right
Length	420mm
Height	149mm
Depth	85mm
Mounting Ctrs	152mm
Bolt Holes	M8
Side Marker	Yes



## Euro Point 2 Rear Lamp - Stop, Tail, Fog, Reverse, Indicator, Reflective Triangle, Side Marker, Side Reflector

Lamp Part No.	ST10270683
Lens Part No.	ST10270405
Type	Bulb
Hand	Left
Length	420mm
Height	149mm
Depth	85mm
Mounting Ctrs	152mm
Bolt Holes	M8
Side Marker	Yes



## Eco Point 2 Rear Lamp - Stop, Tail, Fog, Reverse, Indicator, Reflective Triangle, Side Marker & Rubber Side LED Marker Arm

Lamp Part No.	ST10272054
Lens Part No.	ST10272058
Type	Bulb
Hand	Left
Length	485mm
Height	145mm
Depth	90mm
Mounting Ctrs	152mm
Bolt Holes	M8
Side Marker	Yes

Clip on Lens



## Eco Point 2 Rear Lamp - Stop, Tail, Fog, Reverse, Indicator, Reflective Triangle, Side Marker & Rubber Side LED Marker Arm

Lamp Part No.	ST10272055
Lens Part No.	ST10272059
Type	Bulb
Hand	Right
Length	485mm
Height	145mm
Depth	90mm
Mounting Ctrs	152mm
Bolt Holes	M8
Side Marker	Yes

Clip on Lens



## Eco Point 2 Rear Lamp - Stop, Tail, Fog, Reverse, Indicator, Reflective Triangle, Side Marker

Lamp Part No.	ST10272056
Lens Part No.	ST10272058
Type	Bulb
Hand	Left
Length	355mm
Height	145mm
Depth	90mm
Mounting Ctrs	152mm
Bolt Holes	M8
Side Marker	Yes

Clip on Lens



## Eco Point 2 Rear Lamp - Stop, Tail, Fog, Reverse, Indicator, Reflective Triangle, Side Marker

Lamp Part No.	ST10272057
Lens Part No.	ST10272059
Type	Bulb
Hand	Right
Length	355mm
Height	145mm
Depth	90mm
Mounting Ctrs	152mm
Bolt Holes	M8
Side Marker	Yes

Clip on Lens



# Aspoeck Equipment

**Rear Lens (Left & Right Hand)**



Model	Eco Point 1
Trailer Lens	ST10270400
Truck Lens	ST10270401

Notes: Truck lens does not have reflective backing on the triangle

**Rear Lens (Left & Right Hand)**



Model	Euro Point 1
Trailer Lens	ST10270404

Notes: Pet Reg option available with silicone coating

**Rear Lens (Left & Right Hand)**



Model	Euro Point 2
Trailer Lens	ST10270405

Notes:

**Lens**



Model	Eco Point 2
Left Part No.	ST10272058
Right Part No.	ST10272059

Notes: Clip on Lens


**Lens**



Model	Super Point 1
Part No.	ST10270353
Hand	Left & Right

Notes:


**Lens**



Model	Super Point 2
Part No.	ST10270355
Hand	Left & Right

Notes:

**LED Pod**



Model	Super Point 3
Part No.	ST10272060
Cable Lth	1.5m
Hand	Left & Right

Notes:

**LED Reverse Pod**



Model	Eco Point 1
LH No.	SC2080003
RH No.	SC2080004

Notes:

**LED Indicator Pod**



Model	Eco Point 1
LH No.	ST10270011
RH No.	ST10270019

Notes:

**LED Stop & Tail Pod**



Model	Eco Point 1
LH No.	ST10270010
RH No.	ST10270018

Notes:

**LED Fog Pod**



Model	Eco Point 1
LH No.	SC2080001
RH No.	SC2080002

Notes:

**LED Tail Bulb**



Model	Euro Point 2
Part No.	SC2079992

Notes:

**LED Indicator Bulb**



Model	Euro Point 2
Part No.	SC2079993

Notes:

**LED Reverse Bulb**



Model	Euro Point 2
Part No.	SC2079994

Notes:

**LED Fog Bulb**



Model	Euro Point 2
Part No.	SC2079995

Notes:

**LED Stop Bulb**



Model	Euro Point 2
Part No.	SC2079996

Notes:

## Bulb Stalk Marker Lamp



Model	Super Point 2
Part No.	ST10270952
Hand	Left
Length	138mm
Height	130mm
Cable Length	450mm

Notes: For mounting to rear light model Eco Point

## Bulb Stalk Marker Lamp



Model	Super Point 2
Part No.	ST10270951
Hand	Right
Length	138mm
Height	130mm
Cable Length	450mm

Notes: For mounting to rear light model Eco Point

## Bulb Stalk Marker Lamp



Model	Super Point 3
Part No.	ST10272039
Hand	Left
Length	145mm
Height	131mm
Cable Length	450mm

Notes: For mounting to rear light model Eco Point

## Bulb Stalk Marker Lamp



Model	Super Point 3
Part No.	ST10272038
Hand	Right
Length	145mm
Height	131mm
Cable Length	450mm

Notes: For mounting to rear light model Eco Point

## LED Stalk Marker Lamp



Model	Super Point 3
Part No.	ST10270877
Hand	Left
Length	173mm
Height	135mm
Cable Length	1.25m (P&R)

Notes:

## LED Stalk Marker Lamp



Model	Super Point 3
Part No.	ST10270878
Hand	Right
Length	173mm
Height	135mm
Cable Length	1.25m (P&R)

Notes:

## LED Stalk Marker Lamp



Model	Super Point 3
Part No.	ST10270890
Hand	Left
Length	131mm
Height	121mm
Cable Length	

Notes: Can be mounted to vehicle or rear light model Europoint 2

## LED Stalk Marker Lamp



Model	Super Point 3
Part No.	ST10270898
Hand	Right
Length	131mm
Height	121mm
Cable Length	

Notes: Can be mounted to vehicle or rear light model Europoint 2

## Bulb Stalk Marker Lamp



Model	Super Point 2
Part No.	ST10270916
Hand	Left
Length	170mm
Height	168mm
Cable Length	1.25m (P&R)

Notes: Vertical Mounting

## Bulb Stalk Marker Lamp



Model	Super Point 2
Part No.	ST10270915
Hand	Right
Length	170mm
Height	168mm
Cable Length	1.25m (P&R)

Notes: Vertical Mounting

## Bulb Stalk Marker Lamp



Model	Super Point
Part No.	ST10270992
Hand	Left
Length	180mm
Height	160mm
Cable Length	1.25m (P&R)

Notes: Vertical Mounting

## Bulb Stalk Marker Lamp



Model	Super Point
Part No.	ST10270991
Hand	Right
Length	180mm
Height	160mm
Cable Length	1.25m (P&R)

Notes: Vertical Mounting

### Uni Point Side Marker Lamp - LED



Size: 44 x 119 mm

Cable Length	Part No.
N/A	ST10270410

Notes:

### Uni Point Side Marker Lamp - LED



Size: 75 x 119mm

Cable Length	Part No.
N/A	SC2171519

Notes: 90 Deg Bracket

### Uni Point Side Marker Lamp - LED



Size: 75 x 119mm, P&R Connector

Cable Length	Part No.
1.5m	ST10270745
2m	ST10270748

Notes: 90 Deg Bracket

### Uni Point Side Marker Lamp - LED



Size: 44 x 119mm , P&R Connector

Cable Length	Part No.
1.5m	ST10270736

Notes: Surface Mount  
Replaces ST10270735 1m Cable

### Uni Point Side Marker Lamp - LED



Size:124 x 119mm , ASS1 Connector

Cable Length	Part No.
0.5m	ST10270766

Notes: 90 Deg I Beam Clamp

### Uni Point Side Marker Lamp - LED



Size:124 x 119mm , P&R Connector

Cable Length	Part No.
1m	ST10270773

Notes: 90 Deg I Beam Clamp

### Flat Point Side Marker Lens - LED



Size: 31 x 95mm

Cable Length	Part No.
N/A	ST10270348

Notes:

### Flat Point Side Marker Lamp - LED



Size: 71 x 95mm, P&R Connector

Cable Length	Part No.
1m	ST10270813
1.5m	ST10270814

Notes: 90 Deg Bracket

### Flat Point Side Marker Lamp - LED



Size: 71 x 95mm, ASS1 Connector

Cable Length	Part No.
1m	ST10270823

Notes: 90 Deg Bracket

### Flat Point Side Marker Lamp - LED



Size: 55 x 95mm / P&R Connector

Cable Length	Part No.
1m	ST10270787
1.5m	ST10270788

Notes: 90 Deg Bracket

**Flat Point Side Marker Lamp - LED**



Size: H31 x L95 x D78mm / P&R Connector

Cable Length	Part No.
0.5m	ST10270794

Notes: Surface Mount

**Flat Point Side Marker Lamp - LED**



Size: 31 x 95mm / P&R Connector

Cable Length	Part No.
0.5m	ST10270777

Notes: Surface Mount

**Flat Point 2 Side Marker Lamp - LED**



Size: 46 x 102mm / P&R Cable

Cable Length	Part No.
0.5m	ST10272061

Notes: Comes with Gasket

**Flat Point Front Marker Lamp - LED**



Size: H31 x L95 x D78mm, P&R Connector

Cable Length	Part No.
0.5m	ST10271114
1m	ST10271115
1.5m	ST10271117
5m	ST10271125

Notes:

**Flat Point Front Marker Lamp - LED**



Size: H31 x L95 x D78mm, ASS1 Connector

Cable Length	Part No.
1.5m	ST10271111

Notes: Surface Mount

**Flat Point Front Marker Lens - LED**



Size: 31 x 95mm, ASS1 Connector

Cable Length	Part No.
N/A	ST10270349

Notes:

**Uni Point Front Marker Lamp - LED**



Size: H44 x L119 x D18mm, P&R Connector

Cable Length	Part No.
1.5m	ST10271205

Notes:

**Uni Point Front Marker Lamp - LED**



Size: H44 x L119 x D18mm, ASS1 Connector

Cable Length	Part No.
1.5m	ST10271213

Notes:

**Mono Point 2 Front Marker Lamp - LED**



Size: 21mm Dia Hole, P&R Connector

Cable Length	Part No.
0.5m	ST10271146
1.5m	ST10271152
3.5	ST10271154

Notes: Light is 38mm Dia



**Mono Point 1 Front Marker Lamp - LED**



Size: 21mm Dia Hole, P&R Connector

Cable Length	Part No.
0.5m	ST10271140

Notes: Light Dia 30mm

**Flat Point 2 Front Marker Lamp - LED**



Size: 46 x 102mm / P&R Cable

Cable Length	Part No.
0.5m	ST10272062

Notes: Comes with Gasket

**Flat Point 2 Rear Marker Lamp - LED**



Size: 46 x 102mm / P&R Cable

Cable Length	Part No.
3.5m	ST10272063

Notes: Comes with Gasket

**Flat Point Rear Marker Lamp - LED**



Size: 31 x 96 x 70mm

Cable Length	Part No.
N/A	ST10272026

Notes:

**Mono Point 1 Rear Marker Lamp - LED**



Size: 21mm Dia Hole, P&R Connector

Cable Length	Part No.
0.5m	ST10271165

Notes: Light Dia 30mm

**Mono Point 2 Rear Marker Lamp - LED**



Size: 21mm Dia Hole, P&R Connector

Cable Length	Part No.
0.5m	ST10271172
3.5m	ST10271168

Notes: Notes: Light is 38mm Dia

**Reg Point Number Plate Light - Bulb**



Size: 100 x 60mm, ASS1 Connector

Cable Length	Part No.
1m	ST10271313
3.5m	ST10271316

Notes: Mounting Bracket Part No. ST10270229

**Reg Point Number Plate Light - Bulb**



Size: 100 x 60mm, P&R Connector

Cable Length	Part No.
0.5m	ST10271305
1m	ST10271306

Notes: Mounting Bracket Part No. ST10270229

**Reg Point Number Plate Light - LED**



Size: 100 x 60mm, ASS1 Connector

Cable Length	Part No.
3.5m	ST10272066

Notes: Mounting Bracket Part No. ST10270229

## Reg Point Number Plate Light - LED



Size: 100 x 60mm, P&R Connector

Cable Length	Part No.
1m	ST10272064
3.5m	ST10272065

Notes: 72mm PCD  
Mounting Bracket Part No. ST10270229

## Square Number Plate Holder



Size: L350 x H260mm

No. Plate Size	Part No.
345 x 256mm	ST10270230

Notes: For No. Plates 345 x 256mm

## Long Number Plate Holder



Size: L562 x H160mm

No. Plate Size	Part No.
520 x 120mm	ST10270225

Notes: For No. Plates 520 x 120mm

## Empty Junction Box



Type	Gland Connectors
Single Height Part No.	ST10271923
Double Height Part No.	ST10271919

Notes: Size 180mm x 116mm

## Wiring Harness ASS1 Connectors



Model	P&R Flat Cable
Part No.	ST10271893
Cable Length	16m
Connector	ASS1 (Yellow & Green)

Notes: ADR version replaces PVC option

## Main Cable



Model	ASS3 (15 Core)
Part No.	ST10271559
Cable Length	12.5m
Connector	ASS3

Notes: ADR version replaces PVC option

## LED Control Gear



Type	Part No.
Black Plugs	ST10271909
White Plugs	ST10271911
Plugs	ASS2

Notes: Plugs 1 x Male  
1 x Female 45 Deg

## P&R Cable Open Ended



Length	Part No.
0.5m	ST10272067
1m	SC2246478
5m	SC2171622

Notes:

## ASS2, 7 Pin Female Fly Lead



Model	ASS2 (Green)
Part No.	ST10271703
Hand	Right
Cable Length	3m

Notes: 90 Deg Connector

## ASS2, 7 Pin Female Fly Lead



Model	ASS2 (Yellow)
Part No.	ST10271714
Hand	Left
Cable Length	3m

Notes: 90 Deg Connector

# Aspoeck Equipment

ASS1, 7 Pin Female Connector



Model	ASS1 (Green)
Part No.	SC2171506
Hand	Right

ASS1, 7 Pin Female Connector



Model	ASS1 (Yellow)
Part No.	SC2171503
Hand	Left

ASS2, 7 Pin Female Connector



Model	ASS2 (Yellow)
Part No.	ST10270135
Hand	Left

ASS2, 7 Pin Female Connector



Model	ASS2 (Green)
Part No.	SC2080047
Hand	Right

15 Pin Repair Kit



Model	ASS1
Part No.	ST10270066
Type	Male Pins

15 Pin Repair Kit



Model	ASS1
Part No.	ST10270068
Type	Female Pins

17 Pin Repair Kit



Model	ASS3
Part No.	ST10270069
Type	Female Pins

17 Pin Repair Kit



Model	ASS3
Part No.	ST10270070
Type	Male Pins

ASS2, 2 Pin Connector



Model	ASS1 (Black)
Part No.	ST10272049
Type	Female Pins

ASS2, 2 Pin Connector



Model	ASS2 (Black)
Part No.	ST10270115
Type	Male Pins

ASS2, 7 Pin Male Connector



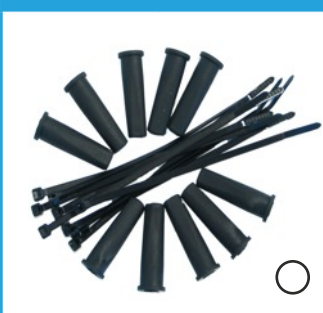
Type	Part No.
Black	SC2080028
Notes:	

Retaining Clips



Type	P&R
Part No.	SC2080056

Cable Seals



Type	Round
Part No.	ST10270304

Cable Seals



Type	Square/Flat
Part No.	ST10270290

Crimping Tool



Type	P&R
Part No.	ST10270003

ELECTRICAL

# Hella Equipment

## Rear Lamp With Stop & Tail/Fog/Reverse/Indicator/Triangle Reflex Reflector

Lamp Part No.	SC1934254
Lens Part No.	ST10077578
Type	Bulb
Hand	Right
Length	370mm
Height	130mm
Depth	85mm
Mounting Ctrs	152mm
Bolt Holes	M8
Connector	Gland



## Rear Lamp With Stop & Tail/Fog/Reverse/Indicator/Triangle Reflex Reflector

Lamp Part No.	SC1934255
Lens Part No.	ST10079708
Type	Bulb
Hand	Left
Length	370mm
Height	130mm
Depth	85mm
Mounting Ctrs	152mm
Bolt Holes	M8
Connector	Gland



## Rear Lamp With Stop & Tail/Fog/Reverse/Indicator/Triangle Reflex Reflector

Lamp Part No.	ST10079709
Lens Part No.	ST10077578
Type	Bulb
Hand	Right
Length	370mm
Height	130mm
Depth	85mm
Mounting Ctrs	152mm
Bolt Holes	M8
Connector	Hella 1.5 Plug



## Rear Lamp With Stop & Tail/Fog/Reverse/Indicator/Triangle Reflex Reflector

Lamp Part No.	SC1934253
Lens Part No.	ST10079708
Type	Bulb
Hand	Left
Length	370mm
Height	130mm
Depth	85mm
Mounting Ctrs	152mm
Bolt Holes	M8
Connector	Hella 1.5 Plug



# Hella Equipment

## Rear Lamp With Stop & Tail/Fog/Reverse/Indicator/Triangle Reflex Reflector

Lamp Part No.	ST10077527
Lens Part No.	SC1906830
Type	Bulb
Hand	Right
Length	425mm
Height	143mm
Depth	N/A
Mounting Ctrs	152mm
Bolt Holes	M8
Connector	Gland



## Rear Lamp With Stop & Tail/Fog/Reverse/Indicator/Triangle Reflex Reflector

Lamp Part No.	ST10077565
Lens Part No.	ST10074952
Type	Bulb
Hand	Left
Length	425mm
Height	143mm
Depth	N/A
Mounting Ctrs	152mm
Bolt Holes	M8
Connector	Gland



## Rear Lamp With Stop & Tail/Fog/Reverse/Indicator/Triangle Reflex Reflector/Side Marker/Side Reflector

Lamp Part No.	SC2197610
Lens Part No.	ST10079711
Type	Bulb
Hand	Right
Length	440mm
Height	148mm
Depth	82mm
Mounting Ctrs	152mm
Bolt Holes	M8
Connector	Gland



## Rear Lamp With Stop & Tail/Fog/Reverse/Indicator/Triangle Reflex Reflector/Side Marker/Side Reflector

Lamp Part No.	SC2197611
Lens Part No.	ST10079711
Type	Bulb
Hand	Left
Length	440mm
Height	148mm
Depth	82mm
Mounting Ctrs	152mm
Bolt Holes	M8
Connector	Gland



ELECTRICAL

# Hella Equipment

## Rear Combination Light (LED Stop & Tail Triangle Pod) (Bulb Indicator, Fog & Reverse)

Lamp Part No.	ST10079728
Lens Part No.	ST10079718
Type	LED / Bulb
Hand	Left
Length	450mm
Height	138mm
Depth	N/A
Mounting Ctrs	152mm
Bolt Holes	N/A
Connector	Easy Conn



Notes: Other combination lights available on request

## Rear Combination Light (LED Stop & Tail Triangle Pod) (Bulb Indicator, Fog & Reverse)

Lamp Part No.	ST10079730
Lens Part No.	ST10079718
Type	LED / Bulb
Hand	Right
Length	450mm
Height	138mm
Depth	N/A
Mounting Ctrs	152mm
Bolt Holes	N/A
Connector	Easy Conn



Notes: Other combination lights available on request

## Rear Combination Light (LED Stop & Tail Triangle Pod & LED Stork Light) (Bulb Indicator, Fog & Reverse)

Lamp Part No.	ST10079712
Lens Part No.	ST10079718
Type	LED / Bulb
Hand	Left
Length	628mm
Height	138mm
Depth	N/A
Mounting Ctrs	152mm
Bolt Holes	N/A
Connector	Easy Conn



Notes: Other combination lights available on request

## Rear Combination Light (LED Stop & Tail Triangle Pod & LED Stork Light) (Bulb Indicator, Fog & Reverse)

Lamp Part No.	ST10079713
Lens Part No.	ST10079718
Type	LED / Bulb
Hand	Right
Length	628mm
Height	138mm
Depth	N/A
Mounting Ctrs	152mm
Bolt Holes	N/A
Connector	Easy Conn



Notes: Other combination lights available on request

# Hella Equipment

## 24v LED Rear Combination Lamp

Lamp Part No.	SC2197629
Type	LED
Hand	Right
Length	403mm
Height	145mm
Depth	34mm
Mounting Ctrs	152mm
Bolt Holes	M8
Connector	N/A



## 24v LED Rear Combination Lamp

Lamp Part No.	SC2197628
Type	LED
Hand	Left
Length	403mm
Height	145mm
Depth	34mm
Mounting Ctrs	152mm
Bolt Holes	M8
Connector	N/A



ELECTRICAL

### LED Indicator Pod



Part No. ST10079714

Notes:

### LED Reverse Pod



Part No. ST10079715

Notes:

### LED Fog Pod



Part No. ST10071716

Notes:

### LED Stop Tail & Triangle Pod



Part No. ST10071717

Notes:

### Rear Lens (Left & Right Hand)



Part No. ST10079718

Notes:

### Left Hand LED Stalk Lamp



Size: H164 x L178 x 78mm PCD

Part No.	Cable Length
----------	--------------

SC2197714	0.5m
-----------	------

Notes:

### Right Hand LED Stalk Lamp



Size: H164 x L178 x 78mm PCD

Part No.	Cable Length
----------	--------------

SC2197713	0.5m
-----------	------

Notes:

# Hella Equipment

## LED Stop, Tail & Indicator Lamp



Size: Dia 140 x D80 x 45mm PCD

Part No.	Cable Length
SC1934226	1.5m

Notes:

## LED Stop & Tail Indicator



Size: Dia 122.5 x D52.5mm

Part No.	Type
ST10079719	Right Hand
ST10079720	Left Hand

Notes:

## LED Fog Lamp



Size: Dia 122.5 x D52.5mm

Part No.	Cable Length
ST10079724	Without
ST10071721	0.5m

Notes:

## Reverse Lamp



Size: Dia 122.5 x D52.5mm

Part No.	
ST10079722	LH
ST10079723	RH

Notes:

## LED Number Plate Lamp



Size: W85 x H58 x D76 x 40mm PCD

Part No.	Cable Length
SC2197392	0.5m

Notes:

## Bulb Number Plate Lamp



Size: W102 x H55 x D57 x 72mm PCD

Part No.	Cable Length
SC1934155	Without
SC2197385	0.5m

Notes:

## Number plate Lamp



Size: L82.5 x H32.5 x D39mm

Part No.	
ST10076743	

Notes:

## LED Side Marker

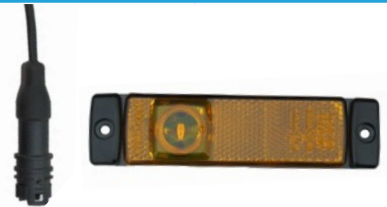


Size: L130 x H32 x D22 x 116mm PCD

Part No.	Cable Length
SC1906677	1.5m

Notes:

## LED Side Marker



Size: L130 x H32 x D22 x 116mm PCD

Part No.	Cable Length
SC2197428	0.3m
SC2197429	1.3m
SC2197417	2m

Notes:

## LED Side Marker



Size: L112 x H52 x D22 x 90mm PCD

Part No.	Cable Length
SC1906679	0.5m

Notes:

## LED Side Marker



Size: L112 x H52 x D22 x 90mm PCD

Part No.	Cable Length
SC1911990	0.5m

Notes:

## Bulb Side Marker



Size: L92 x H99 x D31 x 45.5mm PCD

Lamp Part No.	Lens Part No.
SC2197419	NSS (Not Sold Separately)

Notes:



LED Side Marker



Size: L76 x H26mm

Part No.	Cable Length
ST10079727	0.5m

Notes:

LED Side Marker



Size: L111 x H51 x 90mm PCD

Part No.	Cable Length
ST10079726	0.5m

Notes:  
Available without bracket Part No. ST10071173

LED Front Marker



Size: L130 x H32 x D22 x 116mm PCD

Part No.	Cable Length
SC1906660	0.5m
SC2056537	5m

Notes:

LED Front Marker



Size: L130 x H32 x D22 x 116mm PCD

Part No.	Cable Length
SC2197424	0.3m
SC2197425	1.3m

Notes:

LED Front Marker



Size: L60 X H38 X D32mm

Part No.	Cable Length
SC2092341	0.5m
ST10079729	5m

Notes:

LED Front Marker



Size: L112 x H52 x D22 x 90mm PCD

Part No.	Cable Length
SC1906664	0.5m
SC1934169	5m

Notes:

Front Marker Lamp



Size: L100 x H40mm

Part No.	ST10074837

Notes:

LED Front Marker



Size: L76 x H26mm

Part No.	Cable Length
SC2090114	0.5m
SC2133147	5m

Notes:

LED Rear Marker



Size: L112 x H52 x D22 x 90mm PCD

Part No.	Cable Length
SC1906723	5m

Notes:

LED Rear Marker



Size: L60 X H38 X D32mm

Part No.	Cable Length
SC1906730	0.5m

Notes:

LED Rear Marker

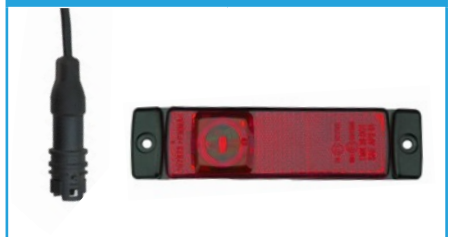


Size: L130 x H32 x D22 x 116mm PCD

Part No.	Cable Length
SC2076263	5m

Notes:

LED Rear Marker



Size: L130 x H32 x D22 x 116mm PCD

Part No.	Cable Length
SC2197494	5m

Notes:

LED Rear Marker

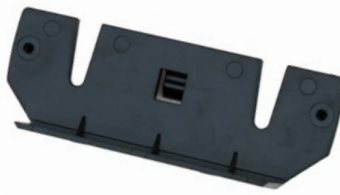


Size: L76 x H26mm

Part No.	Cable Length
ST10077720	0.5m

Notes:

Bracket



Part No. SC2197755

Notes:

Bracket



Part No. SC1934306

Notes:

Work lamp



Size: H239 x D119.5 x Dia 152mm

Part No. SC1934125

Notes:

Work lamp



Size: H152 x W112 x D97mm

Part No. SC1906629

Notes:

Strip Lamp

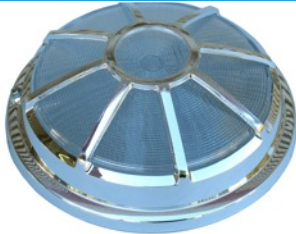


Size: L670 x W59 x D35mm

Part No. SC1934152

Notes:

Interior Lamp



Size: Dia 160mm x H50mm

Part No. SC1934148

Notes: Drill Hole 124mm

Interior Lamp



Size: Dia 180mm x H37mm

Part No. SC1934150

Notes: Drill Hole 148mm

Distribution box



Part No. SC1934339

Notes: With 12 cable glands  
2 x 9-18mm clamping, 10 x 1.5 - 10mm clamping

15 Pin Main Power Cable



Part No.	Length
ST10079731	10m
ST10079732	12m
ST10079733	15.5m

Notes:

10 Pin Main Power Cable



Part No.	Length
ST10079734	9m
ST10079735	12m

Notes:

15 Pin Main Power Cable



Part No.	Length
SC2197825	7m
SC2197827	12m

Notes:

## Tail Light & Side Marker Harness



Part No.	Length
ST10079736	1.3m

Notes:

## Y Adapter Cable



Part No.	Length
ST10079737	150mm

Notes:

## 2 Pin Easy Connector Female



Part No.	ST10079738
----------	------------

Notes:

## 2 Pin Easy Connector Male



Part No.	ST10079739
----------	------------

Notes:

## 7 Pin Easy Connector Female



Part No.	ST10079740
----------	------------

Notes:

## 7 Pin Easy Connector Male



Part No.	ST10079741
----------	------------

Notes:

## 15 Pin Easy Connector Female



Part No.	ST10079742
----------	------------

Notes:

## 15 Pin Easy Connector Male



Part No.	ST10079743
----------	------------

Notes:

Notes:

Left Hand Rear Lamp Stop, Tail, Fog, Reverse, Indicator



Size: W363 x H153 x D71.3mm

Part No. **ST10071375**

Right Hand Rear Lamp Stop, Tail, Fog, Reverse, Indicator



Size: W363 x H153 x D71.3mm

Part No. **ST10071374**

Left Hand Rear Lamp Twin Stop, Tail, Reverse, Indicator



Size: W363 x H153 x D71.3mm

Part No. **ST10078228**

Right Hand Rear Lamp Twin Stop, Tail, Reverse, Indicator



Size: W363 x H153 x D71.3mm

Part No. **ST10078229**

Left Hand Rear Lamp Twin Stop, Tail, Twin Indicator



Size: W363 x H153 x D71.3mm

Part No. **ST10072849**

Right Hand Rear Lamp Twin Stop, Tail, Twin Indicator



Size: W363 x H153 x D71.3mm

Part No. **ST10072850**

Left Hand Rear Lamp Twin Stop, Tail, Fog, Indicator



Size: W363 x H153 x D71.3mm

Part No. **ST10078230**

Right Hand Rear Lamp Twin Stop, Tail, Fog, Indicator



Size: W363 x H153 x D71.3mm

Part No. **ST10078231**

L/H LED Rear Lamp Stop, Tail, Fog, Reverse, Indicator



Size: W363 x H153 x D71.3mm

Part No. **ST10072483**

R/H LED Rear Lamp Stop, Tail, Fog, Reverse, Indicator



Size: W363 x H153 x D71.3mm

Part No. **ST10072482**

Left Hand Rear Lamp Stop, Tail, Reverse, Indicator



Size: W273 x H153 x D71.3mm

Part No. **ST10078232**

Right Hand Rear Lamp Stop, Tail, Reverse, Indicator



Size: W273 x H153 x D71.3mm

Part No. **ST10078233**

Left Hand Rear Lamp Stop, Tail, Fog, Indicator



Size: W273 x H153 x D71.3mm

Part No. **ST10078234**

Right Hand Rear Lamp Stop, Tail, Fog, Indicator



Size: W273 x H153 x D71.3mm

Part No. **ST10078235**

Left Hand Rear Lamp Twin Stop, Tail, Indicator



Size: W273 x H153 x D71.3mm

Part No. **ST10078236**

Right Hand Rear Lamp Twin Stop, Tail, Indicator



Size: W273 x H153 x D71.3mm

Part No. **ST10078237**

L/H LED Rear Lamp Stop, Tail, Reverse, Indicator



Size: W273 x H153 x D71.3mm

Part No. **ST10078238**

R/H LED Rear Lamp Stop, Tail, Reverse, Indicator



Size: W273 x H153 x D71.3mm

Part No. **ST10078239**

L/H LED Rear Lamp Stop, Tail, Fog, Indicator



Size: W273 x H153 x D71.3mm

Part No. **ST10078240**

R/H LED Rear Lamp Stop, Tail, Fog, Indicator



Size: W273 x H153 x D71.3mm

Part No. **ST10078241**

Rear 4 Module Light Case



Size: W363 x H153 x D71.3mm

Left Hand Part No. **ST10073574**

Right Hand Part No. **ST10073575**

Rear 3 Module Light Case



Size: W273 x H153 x D71.3mm

Left & Right Hand Part No.

**ST10078242**

Indicator Lamp Bulb 24v



Size: H135 x W87 x D49mm

Model	Part No.
45 Bulb	<b>ST10071524</b>

Indicator Lamp LED 12/24v



Size: H135 x W87 x D49mm

Model	Part No.
45 LED	<b>ST10072485</b>

Stop & Tail Bulb 24v



Size: H135 x W87 x D49mm

Model	Part No.
45 Bulb	<b>ST10071522</b>

Stop & Tail LED 12/24v



Size: H135 x W87 x D49mm

Model	Part No.
45 LED	<b>ST10072484</b>

Fog Lamp Bulb 24v



Size: H135 x W87 x D49mm

Model	Part No.
45 Bulb	<b>ST10078243</b>

Fog Lamp LED 12/24v



Size: H135 x W87 x D49mm

Model	Part No.
45 LED	<b>ST10072486</b>

Reverse Bulb 24v



Size: H135 x W87 x D49mm

Model	Part No.
45 Bulb	<b>ST10071523</b>

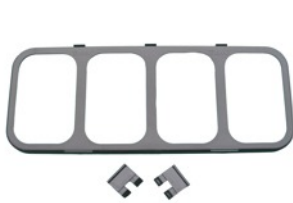
Reverse LED 12/24v



Size: H135 x W87 x D49mm

Model	Part No.
45 LED	<b>ST10078244</b>

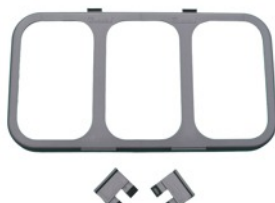
4 Module Light Case Cover



Size: W363 x H153

Model	Part No.
45	<b>ST10072845</b>

3 Module Light Case Cover



Size: W273 x H153

Model	Part No.
45	<b>ST10078245</b>

Mounting Bracket



Size: W175 x H177mm

Model	Part No.
45	<b>ST10078246</b>

Mounting Bracket



Size: W175 x H147mm

Model	Part No.
45	<b>ST10078247</b>

# Trucklite Equipment


**Mounting Grommet**



Size: H160 x W112 x D41mm

Model	Part No.
45	ST10078248

**Plug & Lead**



Model	Part No.
	ST10078249

**Plug & Lead**



Model	Part No.
	ST10073323

**Plug & Lead**



Model	Part No.
21, 30, 35	ST10078250

**Plug & Lead**



Model	Part No.
	ST10078251

**Anti-corrosion Compound**



Weight	Part No.
56g	ST10077235

**No. Plate Lamp LED, 12v**



Size: W87 x H68mm D57mm

Model	Part No.
15 LED	ST10078252

**No. Plate Lamp LED, 12v**



Size: W3.4" x H2.3"

Model	Part No.
15 LED	ST10073077

**Red Marker Lamp 24v**



Size:

Model	Part No.
34 LED	ST10078253

**Amber Marker Lamp 24v**



Size:

Model	Part No.
34 LED	ST10078411

**Clear Marker Lamp 24v**



Size:

Model	Part No.
34 LED	ST10078254

**Clear Marker Lamp 24v**



Size:

Model	Part No.
34 LED	ST10078255

**Red Marker Lamp 24v**



Size:

Model	Part No.
34 LED	ST10078256

**Amber Marker Lamp 24v**



Size:

Model	Part No.
34 LED	ST10078257

**Mounting Grommet**



Size: 53.73mm Mounting Hole

Model	Part No.
30	ST10078262

**Clear Mounting Bracket**



Size: W99 x H55 x D25mm

Model	Part No.
30	ST10078263

# Trucklite Equipment

ELECTRICAL

**Red Marker Lamp 10-30v**



Size: D35 x Dia 51mm

Model	Part No.
30 LED	ST10073840

**Red Marker Lamp 10-30v**



Size: D35 x Dia 51mm

Model	Part No.
30 LED	ST10078021

**Red Marker Lamp 10-30v**



Size: D35 x Dia 51mm

Model	Part No.
30 LED	ST10078258

**Amber Marker Lamp 10-30v**



Size: D35 x Dia 51mm

Model	Part No.
30 LED	ST10078259

**Amber Marker Lamp 10-30v**



Size: D35 x Dia 51mm

Model	Part No.
30 LED	ST10078260

**Amber Marker Lamp 10-30v**



Size: D35 x Dia 51mm

Model	Part No.
30 LED	ST10078261

**Amber Marker Lamp 24v**



Size: H31 x L100 x W19mm

Model	Part No.
35 LED	ST10072846

**Red Marker Lamp 24v**



Size: H31 x L100 x W19mm

Model	Part No.
35 LED	ST10078264

**Mounting Bracket**



Size: L110 x W22mm

Model	Part No.
35	ST10078265

**Amber Marker Lamp 24v**



Size: H41.4 x W114.2 x 25.4mm

Model	Part No.
18 LED	ST10071660

**Red Marker Lamp 24v**



Size: H41.4 x W114.2 x 25.4mm

Model	Part No.
18 LED	ST10073766

**Clear Marker Lamp 24v**



Size: H41.4 x W114.2 x 25.4mm

Model	Part No.
18 LED	ST10073767

**Horizontal Mounting Bracket**



Model	Part No.
18	ST10071661

**Vertical Mounting Bracket**



Model	Part No.
18	ST10078266

**Mounting Bracket**



Model	Part No.
18	ST10078267

**Red Marker Lamp Kit 24v**



Size: H57.2 x W106.7 x D42.4mm

Model	Part No.
13 Bulb	ST10071103



# Trucklite Equipment

Red Marker Lamp 24v



Size: H57.2 x W106.7 x D42.4mm

Model	Part No.
13 Bulb	ST10078268

Clear Marker Lamp Kit 24v



Size: H57.2 x W106.7 x D42.4mm

Model	Part No.
13 Bulb	ST10071017

Clear Marker Lamp 24v



Size: H57.2 x W106.7 x D42.4mm

Model	Part No.
13 Bulb	ST10071075

Amber Marker Lamp Kit 24v



Size: H57.2 x W106.7 x D42.4mm

Model	Part No.
13 Bulb	ST10071104

Amber Marker Lamp 24v



Size: H57.2 x W106.7 x D42.4mm

Model	Part No.
13 Bulb	ST10071076

Green Marker Lamp Kit 24v



Size: H57.2 x W106.7 x D42.4mm

Model	Part No.
13 Bulb	ST10072373

Green Marker Lamp 24v



Size: H57.2 x W106.7 x D42.4mm

Model	Part No.
13 Bulb	ST10071528

Horizontal Bracket



Size: H101 x W108 x D25mm

Model	Part No.
13	ST10077370

Vertical Bracket



Size: H165 x W63.5 x 25mm

Model	Part No.
13	ST10078269

Amber Marker Lamp 24v



C/W 250mm Cable and Plug

Model	Part No.
21 LED	ST10074341

# Interior Lights

## Interior Light



Size:L573mm x H70mm x W35mm

Part No.	ST10071338
21" Tube Part No.	ST10072166
Volt	24v
Average Current	0.57a
Light Output	800 Lm

Notes: Designed for corner installation, Unbreakable lens

## Interior Light



Size:L573mm x H49mm x W35mm

Part No.	ST10073241
21" Tube Part No.	ST10072166
Volt	24v
Average Current	0.57a
Light Output	800 Lm
Tube Watts	13w

Notes: 38% extra light output, Increased life expectancy, Low energy consumption

## Interior Light



Size:L381mm x H24mm x W78mm

Part No.	ST10073744
Tube Part No.	ST10072165
Volt	24v
Avg Current	0.4a
Light Output	600 Lm
Tube Watts	15w

Unique 3 X 8W light, Very low power, Long bulb life (10,000 hrs)

## Interior Light



Size:L715mm x H46mm x W100mm

Part No.	ST10077242
Tube Part No.	ST10077448
Volt	10-15v
Avg Current	1.4/5a
Light Output	1350 Lm
Tube Watts	14w

Notes: Works effectively at - 30 °C, Recessed fitting, Low maintenance, Waterproof to IP66

## Interior Lights - LED



Size:L298mm x H17mm x W100mm

Surround	White	Black
Part No.	ST10077265	ST10071942
Volt	10-32v	10-32v
Avg Current	12v-0.67, 24v-0.32	12v-1.25, 24v-0.6v
Light Output	671 Lm	1068 Lm
LED Power	5x1.4w = 7w	5x2.5w = 12.5w

Notes: High output Cree LEDs, Multi-voltage (10-32V), Low energy, long life

## Interior Lights



Size:Dia169mm x H46mm x 108mm Hole

Type	LED	Bulb
Part No.	ST10077055	ST10071339
Lens Part No.	ST10071748	ST10071748
Main Bulb No.	NSS	ST10071342
G4 Bulb No.	NSS	ST10071340
Light Output	610 Lm	890 Lm
LED/Tube	6.25w	11

Notes: Super-bright LED option available, Energy efficient light sources, Simple to retrofit

## Interior Lights



Size:L353/582mm x H29mm x W58mm

Part No.	ST10072163	ST10072164
Tube Size	12"	21"
Tube Part No.	ST10072165	ST10072166
Volt	24v	24v
Avg Current	0.4a	0.8a
Light Output	100 Lm	800 Lm
Tube Watts	8w	13w

Notes: On/off push switch, Slim, low profile fitting, Quick & easy to install

# Bulbs

## Tungsten Halogen Head Lamp Bulb



Part No.	CS20740475	CS20740476	CS20741475
Type	475	475HD	475S
H4 Cap	P43t		
Volts	24v	24v	24v
Watts	75/70w	75/70w	100/80w
Size	92 x 16.5mm		

Notes:

## Tungsten Halogen Head Lamp Bulb



Part No.	CS20740466	CS20740467	CS20740491
Type	466	466HD	491
Cap	H1		
Volts	24v	24v	24v
Watts	70w	70w	100w
Size	62.5 x 8.5mm		

Notes:

## Halogen Head Lamp Bulb



Part No.	CS20740480
Type	480
H2 Cap	X511 H2
Volts	24v
Watts	70w
Size	31 x 19.5mm

Notes:

## Tungsten Halogen Head Lamp Bulb



Part No.	CS20740460	CS20740461	CS20740493	CS20740496
Type	460	460HD	493	496
Cap	H3			
Volts	24v	24v	24v	24v
Watts	70w	70w	100w	130w
Size	42 x 11mm			

Notes:

## Xenon Head Lamp Bulb



Part No.	CS20740498	CS20740495
Type	499A	499AHD
H7 Cap	Px26d	
Volts	24v	24v
Watts	70w	70w
Size	59 x 11.6mm	

Notes:

## Halogen Side Light



Part No.	CS20741021
Type	433E
Cap	BAY9s MCC
Volts	24v
Watts	21w
Size	40.5 x 10mm

Notes: Offset Pin

## Side & Tail Bulb



Part No.	CS20740150	CS20740151	CS20740247	CS20741246
Type	150	150T	247HD	246D
Cap	Ba15d SBC			
Volts	24v	24v	24v	24v
Watts	5w	5w	5w	10w
Size	35 x 18mm			

Notes:

## Stop and Tail Bulb



Part No.	CS20740294	CS20740334
Type	294	334
Cap	BAY15d SBC	
Volts	21v	24v
Watts	5w	6w
Size	47 x 25mm	

Notes: Offset Pin

## Indicator & Panel Bulb



Part No.	CS20740865
Type	865
Cap	Ba9s MCC
Volts	24v
Watts	2.8w
Size	24 x 11mm

Notes:

# Bulbs

## Stop, Tail, Indicator Bulb



Part No.	CS20740241	CS20740290	CS20740240	CS20740339
Type	241	290HD	240	339
Cap	BA15s (SCC)			
Volts	24v	24v	24v	24v
Watts	21w	21w	15w	24w
Size	47 x 25mm			

Notes:

## Indicator & Panel Bulb



Part No.	CS20740249	CS20740289
Type	249	289
Cap	BA9s MCC	
Volts	24v	24v
Watts	4w	2w
Size	20 x 9mm	

Notes:

## Amber Indicator Bulb



Part No.	CS20740582
Type	581A
Cap	Bau15s SCC
Volts	24v
Watts	21w
Size	47 x 25mm

Notes: Offset Pin

## Tail Bulb



Part No.	CS20740246	CS20740149	CS20740248
Type	246	149	248HD
Cap	Ba15s SCC		
Volts	24v	24v	24v
Watts	10w	5w	5w
Size	38 x 18mm		

Notes:

## Stop or Indicator Bulb



Part No.	CS20740346	CS20740291	CS20740333
Type	346	291HD	333
Cap	Ba15d SBC		
Volts	24v	24v	24v
Watts	21w	21w	24w
Size	47 x 25mm		

Notes:

## Festoon Bulb



Part No.	CS20740260	CS20740274
Type	260	274
Cap	SV8.5-8	
Volts	24v	24v
Watts	5w	10w
Size	44 x 11mm	

Notes:

## Festoon Bulb



Part No.	CS20740242	CS20740653
Type	242	653
Cap	S8.5d	
Volts	24v	24v
Watts	5w	6w
Size	38 x 11mm	

Notes:

## Printed Circuit Bulb



Part No.	CS20741508
Type	508T
Cap	B8.5d
Volts	24v
Watts	1.2w
Size	20 x 8mm

Notes:

## Printed Circuit Bulb



Part No.	CS20740510
Type	508TB
Cap	B8.5d
Volts	24v
Watts	1.2w
Size	20 x 8mm

Notes:

## Printed Circuit Bulb



Part No.	CS20740511
Type	508MTW
Cap	KW2 x 4.6d
Volts	24v
Watts	1.2w
Size	21.5mm

Notes:

# Bulbs

## Printed Circuit Bulb



Part No.	CS20742508	CS20740509
Type	508	509
Cap	BAX	
Volts	24v	24v
Watts	1.2w	1.2w
Size	20 x 8mm	

Notes:

## Wedge Base Panel Bulb



Part No.	CS20740508
Type	508
Capless	W22x4.6d
Volts	24v
Watts	1.2w
Size	18 x 5mm

Notes:

## Indicator & Panel Bulb



Part No.	CS20740507	CS20740505	CS20740513
Type	507	505	513
Capless	W2.1x9.5d		
Volts	24v	24v	24v
Watts	5w	3w	2w
Size	26.8 x 10mm		

Notes:

## Auto Bulb Kit



Part No.	CS20740724
Type	24 Volt H1/H7

Notes: Contains Bulb Ref: 499A, 466, 149, 150, 507, 241, 334, 242, 249, 246

## Auto Bulb Kit



Part No.	CS20740052
Type	24 Volt H4

Notes: Contains Bulb Ref: 475, 346, 241, 249, 149, 150

Notes:

# Reverse Alarms

## Reverse Alarms - Medium Duty



Part No.	Volts	db
ST10072294	24v	97
ST10071850	12-24v	92

Notes: Application - Trucks, Buses, Coaches, Light Plant

## Reverse Alarm - Light Duty



Part No.	Volts	db
ST10073952	12-24v	90

Notes: Single Bolt Fixing  
Application - Light Commercial Vehicles & Fork Lift Trucks

## Reverse Alarm - ADR



Part No.	Volts	db
ST10074942	12-24v	90

Notes: Application - Petrol Tankers

## Reverse Alarm - Back Chat Speaking



Part No.	Volts	db
ST10074330	12-24v	90

Notes: Message ("Beep" Stand Well Clear Vehicle Reversing)

## Reverse Alarm - Light Duty



Part No.	Volts	db
ST10077581	12-24v	87

Application - Light Commercial Vehicles & Fork Lift Trucks

## Reverse Alarms - Petrol Tanker



Part No.	Volts	db
ST10074741	12-24v	100

Notes: Night silent standard  
Single bolt fitting

## Reverse Alarms - Heavy Duty



Part No.	Volts	db
ST10071839	12-24v	100

Notes: Single bolt fitting

## Reverse Alarms - Medium Duty



Part No.	Volts	db
ST10074682	12-24v	105

Notes: Single bolt fitting

## Reverse Alarm



Part No.	Type
ST10271904	1.2m cable
ST10271906	3.5m cable
ST10270033	For Euro Point 1 built in
ST10270034	For Euro Point 2 built in

Notes:

## Reverse Alarm - Model 120



Part No.	Volts	db
ST10072598	24v	89

Notes:

Notes:

# CHASSIS

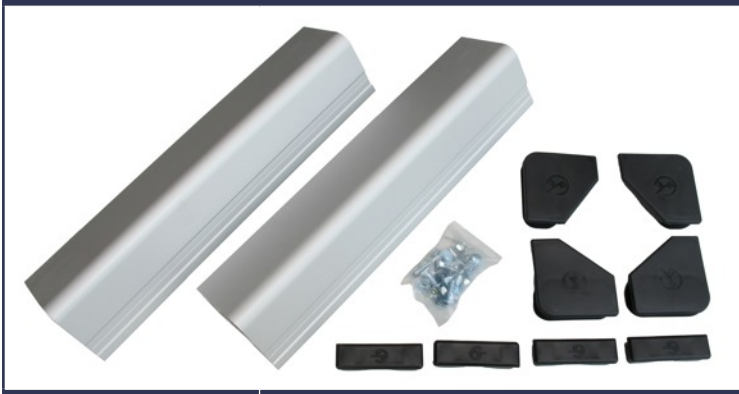
Description	Page No.	Description	Page No.
Autolube Plates	4.9		
Dog Clip & Chain	4.9		
Fifth Wheel Handles	4.9		
Fifth Wheel Jaw Kits	4.8		
Haacon Landing Legs	4.5		
Jost Landing Legs	4.3 - 4.4		
King Pins	4.7		
Side Guards	4.2		
Twist locks	4.6		
VBG Couplings	4.10 - 4.24		





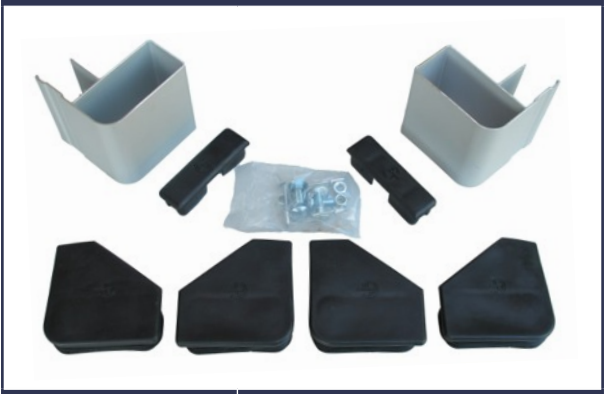
# Side Guards

**Double Side Guard Rail Kit**



Part No.	Description
ST10071637	C/W end caps and fixing kit
Notes:	

**Single Side Guard Rail Kit**



Part No.	Description
ST10073448	C/W end caps and fixing kit
Notes:	

**Side Guard Rail**



Part No.	Length
ST10072475	3.4m
ST10077270	4m
ST10073447	5m
Notes:	

**Side Guard Rail Cap**



Part No.	Description
ST10076479	
Notes:	

**Side Guard End Rail**



Part No.	Description
ST10077104	
Notes:	

**End Rail Cap**



Part No.	Description
ST10077103	
Notes:	

**End Rail Cap**



Part No.	Description
ST10071913	
Notes:	

**Hinged Side Guard Bracket**



Part No.	Description
ST10072285	
Notes:	

Chassis

# Jost Landing Legs

Information Charts		Jost Landing Legs Part Number Identification					
Open, Closed & G Heights	Chart A	<b>B02</b>	<b>01</b>	<b>01</b>	<b>05</b>	<b>10</b>	
Chassis Mounting Bracket	Chart B						
Foot Type	Chart C						
Winding Handle Length	Chart D						
Connecting Shaft Length	Chart E						
Notes:		The Jost ID plate can be located on both landing legs, the plate only shows the numbers for the open & closed lengths and the mounting bracket (eg: B0501) To identify the rest of the part number please use charts C, D & E					

Chart A - Open & Closed Heights						
Part No.	B01	B02	B03	B04	B05	B06
Open Height	1460mm	1370mm	1270mm	1180mm	1100mm	1000mm
Closed Height	900mm	850mm	800mm	750mm	700mm	650mm
G Height	630mm	580mm	530mm	480mm	430mm	380mm

Notes: The G height is measured from the connecting shaft to the bracket welded on the leg

Chart B - Mounting Bracket		
Top Bracket = 01	Low Bracket = 02	Double Bracket = 03

Notes: (01 - standard bracket) (02 - low bracket for low loaders) (03 - double bracket for heavy duty applications e.g Steel industry)

Chart C - Foot Type		
Without Foot = 00 Without Foot = 00 	Compensator Foot = 01 Part No. ST10073157 	Rocking Foot = 02 Part No. ST10077707 
Wheel = 03 Part No. ST10076923 	Sand Foot = 04 Part No. ST10077890 	Flat Sand Foot = 06 Part No. ST10078494 

Notes:

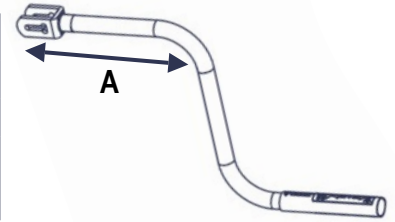
Chassis

# Jost Landing Legs

**Chart D - Winding Handle**

Part No.	00	01	02	03	04	05 (ST10074319)
Length A	Without Handle	350mm	415mm	450mm	480mm	520mm

Notes: The winding handle is measured here to establish the distance it can be rotated without hitting the protruding body of the trailer, in 90% of applications the longest handle is fitted (05)



**Chart E - Connecting Shaft**

Part No.	00	01	02	03	04	05	06	07	08	09	10 (ST10074320)
Length	Without	1340mm	1450mm	1470mm	1500mm	1535mm	1575mm	1605mm	1635mm	1700mm	1790mm

Notes: The connection shaft is a square tube and can be cut down to suit other sizes, so its suggested that you order the longest shaft to reduce stock and increase availability (10)

## Single Legs

Jost Landing legs can also be ordered in singles , when ordering single legs don't add the numbers from chart D & E, change the last 2 digits to L for left hand & R for right hand leg (Left hand leg comes without winding gear Right hand Leg comes with winding gear)  
(eg: B02010100L / B02010200R)

**Landing Leg Part Numbers**

Type	Foot Type	Landing Leg Set C/w No. 10 X Shaft & No. 5 Handle	Left Leg (O/S) Without Gear	Right Leg (N/S) With Gear
B0102	Compensator (01)	ST10078507	ST10078508	ST10078509
B0201	Compensator (01)	ST10077300	ST10073113	ST10073114
B0301	Compensator (01)	ST10074121	ST10078406	ST10074636
B0302	Compensator (01)	ST10076829	ST10078510	ST10076827
B0303	Compensator (01)	ST10078511	ST10073125	ST10073119
B0401	Compensator (01)	ST10074316	ST10074317	ST10074318
B0402	Compensator (01)	ST10077122	ST10078512	ST10071720
B0403	Compensator (01)	ST10076485	ST10073127	ST10073126
B0601	Compensator (01)	ST10078513	ST10078514	ST10078515
B0101	Rocking Foot (02)	ST10078516	ST10078517	ST10078518
B0201	Rocking Foot (02)	ST10072675	ST10078519	ST10078520
B0202	Rocking Foot (02)	ST10078521	ST10078522	ST10078523
B0203	Rocking Foot (02)	ST10078524	ST10078525	ST10078526
B0301	Rocking Foot (02)	ST10078527	ST10073118	ST10073117
B0303	Rocking Foot (02)	ST10078528	ST10078529	ST10078530
B0401	Rocking Foot (02)	ST10078531	ST10077020	ST10077019
B0501	Rocking Foot (02)	ST10072271	ST10078532	ST10078533
B0601	Rocking Foot (02)	ST10078550	ST10078534	ST10078535
B0201	Wheels (03)	ST10073935	ST10078536	ST10078537
B0303	Wheels (03)	ST10078538	ST10078539	ST10078540
B0301	Sand Shoe (04)	ST10078541	ST10078542	ST10078543
B0503	Sand Shoe (04)	ST10078544	ST10078545	ST10078546
B0401	Flat Sand Shoe (06)	ST10078547	ST10078548	ST10078549

## Accessories

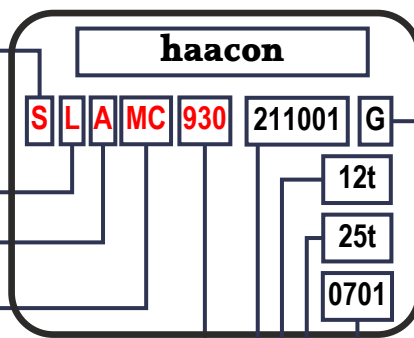
Part No.	Description
ST10074319	Winding Handle - 520mm (05)
ST10074320	Cross Shaft - 1790mm (10)
ST10073841	M14 Mounting Bolts
ST10073842	M16 Mounting Bolts

# Haacon Landing Legs

## Haacon Landing Legs

Haacon Landing Legs Part Number Identification (ID plate can be located on each leg)

Model Information	
Model	S = S2000
Product	L = Landing Leg
Foot Type	A = Compensator
	F = Sand Shoe
	H = Rocking Foot
	K = Flat Foot
	R = Wheel
Water Proof Grease Cartridge	MC = Comes with
Closed Height (mm)	930mm
Order No. (for Set)	211001
Geared Leg	G
Max Load	12t
Stat Test Load	25t
Production Month & Year	07 01 (July 2001)



Height

## S2000 Landing Leg

Chassis

Compensator



Rocking Foot



Flat Foot



Type	Closed Height	Foot Type	Landing Leg Set C/w X Shaft & winding Handle	Left Leg (O/S) Without Gear	Right Leg (N/S) With Gear
S/LA 880	880mm	Compensator	ST10170231	ST10170228	ST10170219
S/LA 930	930mm	Compensator	ST10170204	ST10170224	ST10170223
S/LH 930	930mm	Rocking Foot	ST10170232	ST10170268	ST10170269
S/LK 650	650mm	Flat Foot	ST10170233	ST10170229	ST10170230
S/LK 700	700mm	Flat Foot	ST10170270	ST10170226	ST10170225
S/LK 800	800mm	Flat Foot	ST10170202	ST10170227	ST10171107
S/LK 850	850mm	Flat Foot	ST10170271	ST10170272	ST10170217

Notes:

## Accessories

Part No.	Description	Part No.	Description
ST10170265	Compensator Foot	ST10170234	Crank Winding Handle (445mm from bolt end to first bend)
ST10170266	Rocking Foot	ST10170235	Crank Winding Handle (535mm from bolt end to first bend)
ST10170267	Flat Foot	ST10170236	Cross Shaft (1770mm) (Can be cut down to suit any size)

# ISO Twist locks

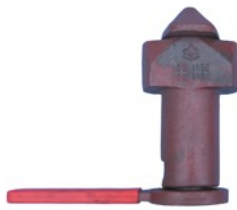
ISO Twist Lock Assembly



Part No. **ST10078423**

Notes: Replacement arm ST10078424

ISO Twist Lock Arm



Part No. **ST10078424**

Notes: To suit ST10078423

ISO Twist Lock Assembly



Part No. **ST10073214**

Notes: Replacement arm ST10074451

ISO Twist Lock Arm



Part No. **ST10074451**

Notes: To suit ST10073214

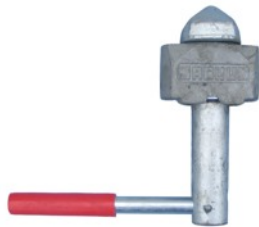
ISO Twist Lock Assembly



Part No. **ST10078425**

Notes: Replacement arm ST10078426

ISO Twist Lock Arm



Part No. **ST10078426**

Notes: To suit ST10078425

ISO Twist Lock Assembly



Part No. **ST10074712**

Notes: Replacement arm ST100778427

ISO Twist Lock Arm



Part No. **ST10078427**

Notes: To suit ST10074712

ISO Twist Lock With Shoot Bolt



Part No.	Description
ST10078428	Twist Lock
ST10078429	Hand Wheel
ST10078430	Shoot Bolt Lock

Notes:

ISO Twist Lock Assembly

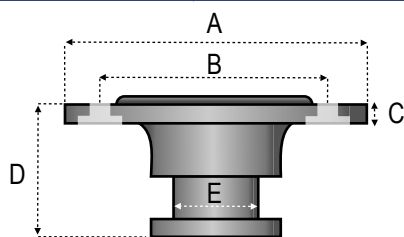


Part No. **ST10078000**

Notes:

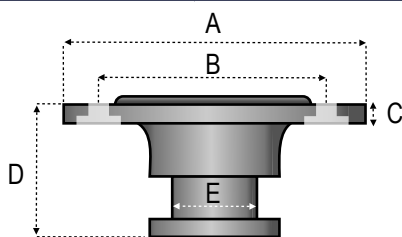
# King Pins

Bolt on King Pin 2"



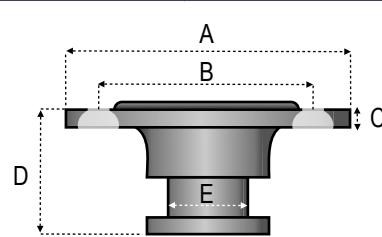
Part No.	ST10078448
Size A	200mm
Size B	150mm
Size C	12mm
Size D	
Size E	50.8mm
Hole Dia	16.7mm
Counter Bore Dia	38mm
Counter Bore Recess	4mm
8mm Backing Plate	ST10078452
10mm Backing Plate	ST10078453
Bolt Kit	ST10073809

Bolt on King Pin 2"



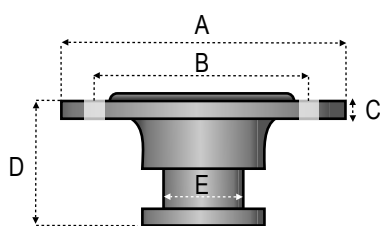
Part No.	ST10073999
Size A	198mm
Size B	150mm
Size C	10mm
Size D	
Size E	50.8mm
Hole Dia	16.7mm
Counter Bore Dia	38mm
Counter Bore Recess	4mm
8mm Backing Plate	ST10078454
10mm Backing Plate	ST10078455
Bolt Kit	ST10073809

Bolt on King Pin 2"



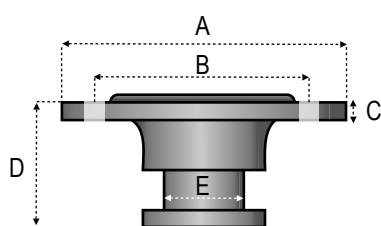
Part No.	ST10078444
Size A	200mm
Size B	150mm
Size C	13mm
Size D	
Size E	50.8mm
Hole Dia	
Counter Bore Dia	38mm
D Value	108Kn
8mm Backing Plate	ST10078445
10mm Backing Plate	ST10078446
12mm Backing Plate	ST10078447
Bolt Kit	ST10078448

Bolt on King Pin 2"



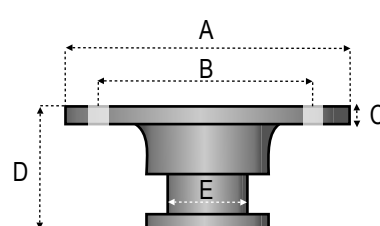
Part No.	ST10078440	ST10078441
Size A	203mm	203mm
Size B	152mm	171mm
Size C		
Size D		
Size E	50.8mm	50.8mm
Rubbing Plate	10mm	10mm
Bolt Kit	ST10078442	ST10078442

Bolt on King Pin 2"



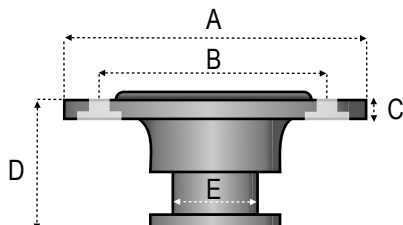
Part No.	ST10078092	ST10078439
Size A	203mm	203mm
Size B	152mm	171mm
Size C		
Size D		
Size E	50.8mm	50.8mm
Rubbing Plate	8mm	8mm
Bolt Kit	ST10078442	ST10078442

Bolt on King Pin 2"



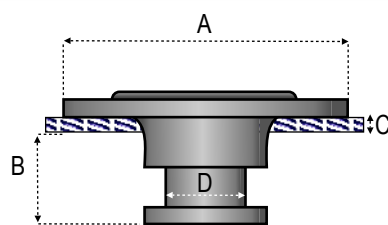
Part No.	ST10072404
Size A	200mm
Size B	150mm
Size C	13mm
Size D	
Size E	50.8mm
Hole Dia	12mm
D Value	152Kn
8mm Backing Plate	ST10078449
10mm Backing Plate	ST10078450
12mm Backing Plate	ST10078451
Bolt Kit	ST10074725

Bolt on King Pin 2"



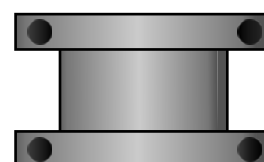
Part No.	ST10078456
Size A	198mm
Size B	150mm
Size C	12mm
Size D	
Size E	50.8mm
Hole Dia	15mm
Counter Bore Dia	32mm
Counter Bore Recess	5mm
Bolt Kit	ST10074725

Weld on King Pin 2"



Part No.	ST10078438	ST10073648
Size A	203mm	203mm
Size B		
Size C	8mm	10mm
Size D	50.8mm	50.8mm
D Value	108Kn	

King Pin Adaptor 2" - 3.5"



Part No.	ST10073469
----------	------------

Chassis

# Fifth Wheel Jaw Kits

**Fifth Wheel Jaw Repair Kit**



**Part No.** ST10073023  
Notes: To fit 65SPL

**Fifth Wheel Jaw Repair Kit**



**Part No.** ST10071156  
Notes: Jost 36D Jaw Kit

**Fifth Wheel Jaw Repair Kit**



**Part No.** ST10078048  
Notes: To fit 150SP Fifth Wheels

**Fifth Wheel Jaw Repair Kit**



**Part No.** SC2038052  
Notes:

**Fontaine Trunion Bush**



**Part No.** ST10076733  
Notes:

**Jost Trunion Bush**



**Part No.** ST10073244  
Notes: Serial numbers 83>

**Jost Trunion Repair Kit**



**Part No.** ST10071155  
Notes: Serial numbers 89>

**Jost Wear Ring Kit**



**Part No.** ST10071533  
Notes:

**Fifth Wheel Fitting Kit**



**Part No.** ST10072307  
Notes: M16 x 60mm

# Fifth Wheel Jaw Kits

Fontaine Adjusting Rod



Part No. ST10073736

Notes:

Fontaine Handle 150SP



Part No. ST10073000

Notes:

Fontaine Extended Handle 150SP



Part No. ST10072282

Notes:

Fontaine 2 Piece Handle 150SP



Part No. ST10073757

Notes:

Jost Fifth Wheel Handle 36D



Part No. ST10072414

Notes:

GF Handle & Safety Lever



Part No. ST10079286

Notes:

GF 5th Wheel Handle



Part No. ST10079283

Notes:

Autolube Plates



Part No. ST10073872

Notes:

Dog Clip & Chain



3" Part No. ST10071129

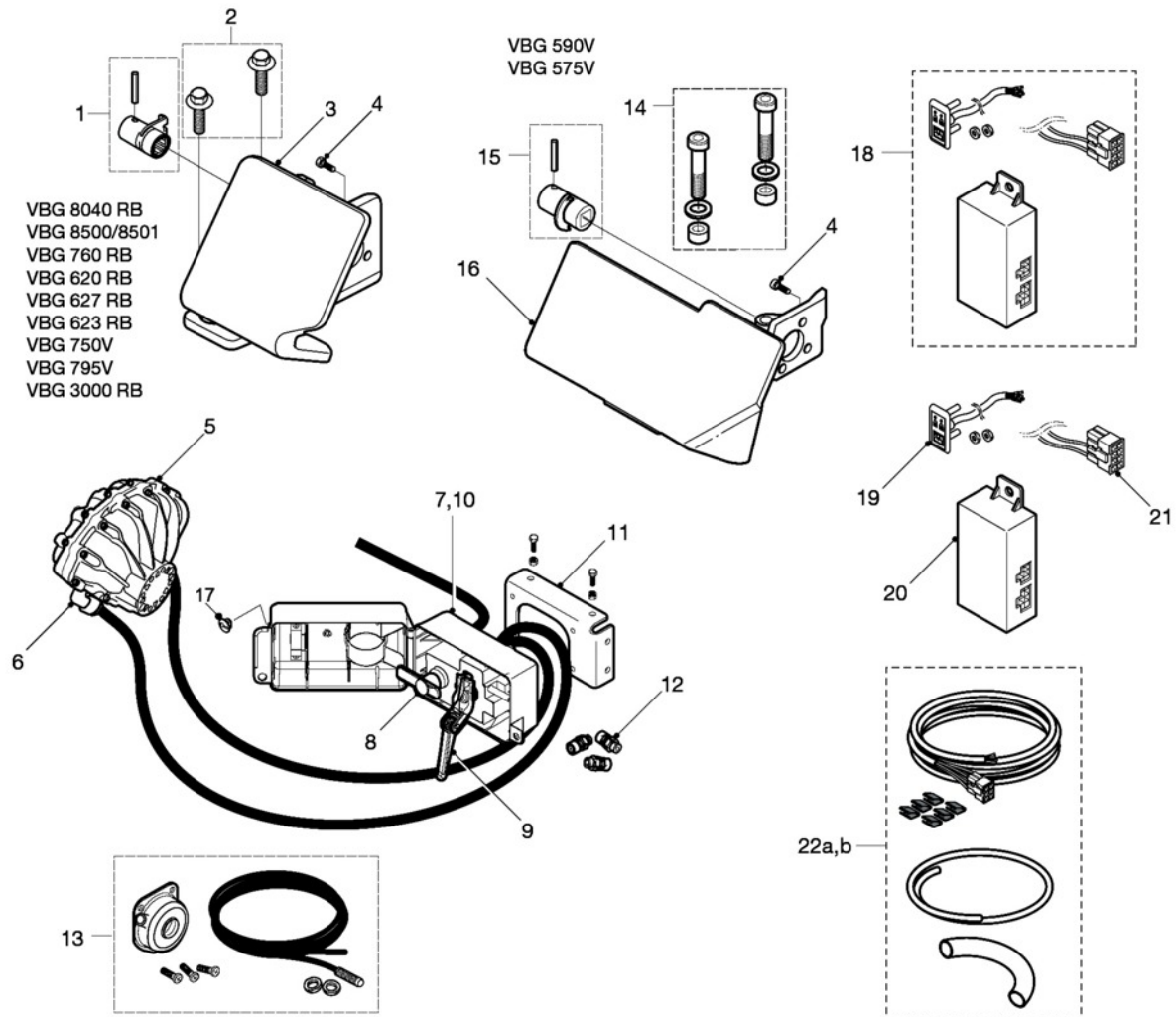
4" Part No. ST10071130

Notes:

Chassis

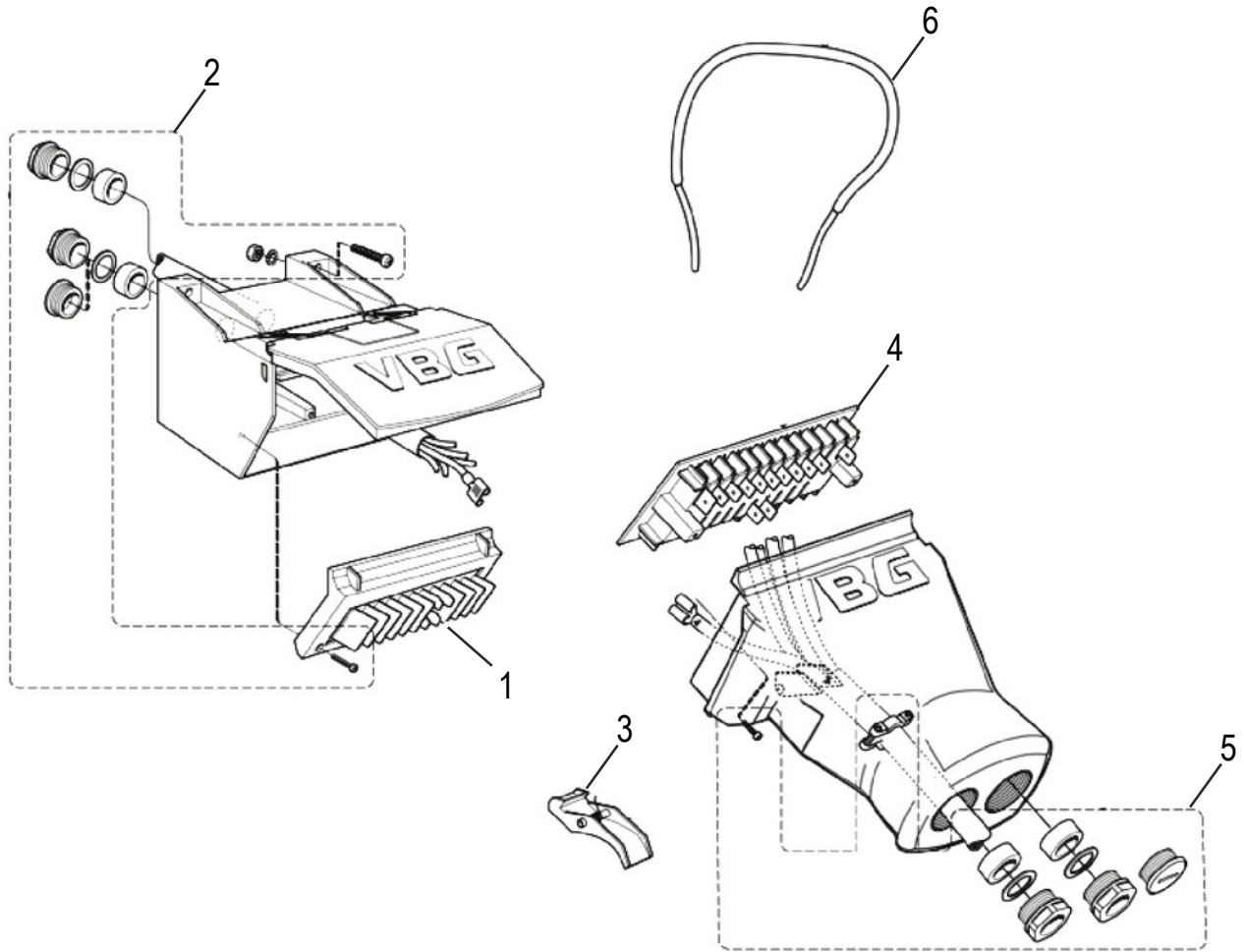


# VBG Couplings - Power Actuator 2.0



Item	Part No.	Part No.	Description
1	07-107100	SC1740612	Adapter
2	07-107300	SC1740613	Bolt kit for bracket
3	07-106500	SC1740608	Bracket for actuator
4	07-107200	SC1886965	Bolt kit
5	07-106900	SC1740610	Actuator
6	07-106800	SC1740609	Nipple kit for actuator (Ø 6, Ø 8)
7	07-107900	SC1740614	Control box, complete
8	07-107600	SC1866459	Handle
9	07-107700	SC1866458	Handle
10	07-107800	SC1787328	Control box (without valve)
11	07-107400	SC1787327	Bracket control box
12	07-107500	SC1853179	Nipple kit for control box
13	09-069900	SC1740627	Remote indicator kit
14	07-108700	ST10079236	Bolt kit VBG 575V/590V
15	07-108600	SC2009962	Adapter VBG 575V/590V
16	09-063600	ST10079237	Bracket VBG 575V/590V
17	07-108200	ST10079238	Plastic cap
18	09-099200	SC1886975	Indicating kit
19	09-099300	SC1886976	Indicating panel incl. cable and nuts
20	09-099400	SC1886977	Electronic unit
21	09-099500	SC1886978	Connector with clip
22a	09-099600	ST10079239	Cable 10 m
22b	09-099700	ST10079240	Cable 15 m

# VBG Couplings - K14 Plug

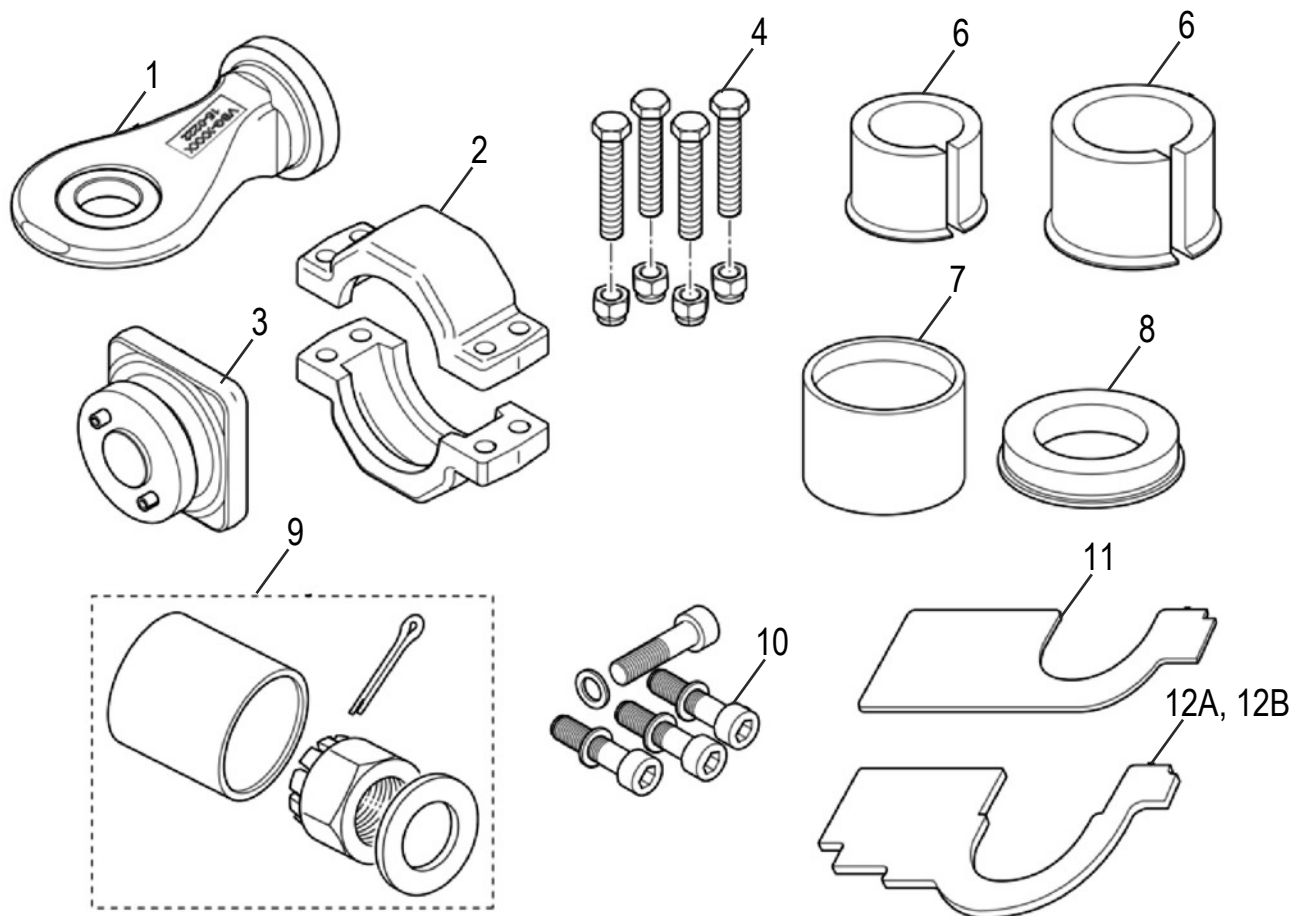


Chassis

Item	Part No.	Part No.	Description
	28-029000	SC1740645	Complete Socket
	28-036000	SC1740642	Complete Plug
1	28-029100	SC1740646	Insert 14 terminal for contact box incl. screws
1	28-029300	SC1740648	Insert 17 terminal for contact box incl. screws
2	28-062500	SC1907369	Mounting kit for contact box K14 and K17
3	28-027600	SC1802444	Hook for plug
4	28-033800	SC1740651	Insert 14 terminal for trailer section incl. screws
4	28-033900	SC1777642	Insert 17 terminal for trailer section incl. screws
5	28-062600	SC1740653	Mounting kit for trailer section K14 and K17
6	28-029900	SC1887044	Electrical heating coil

Notes:

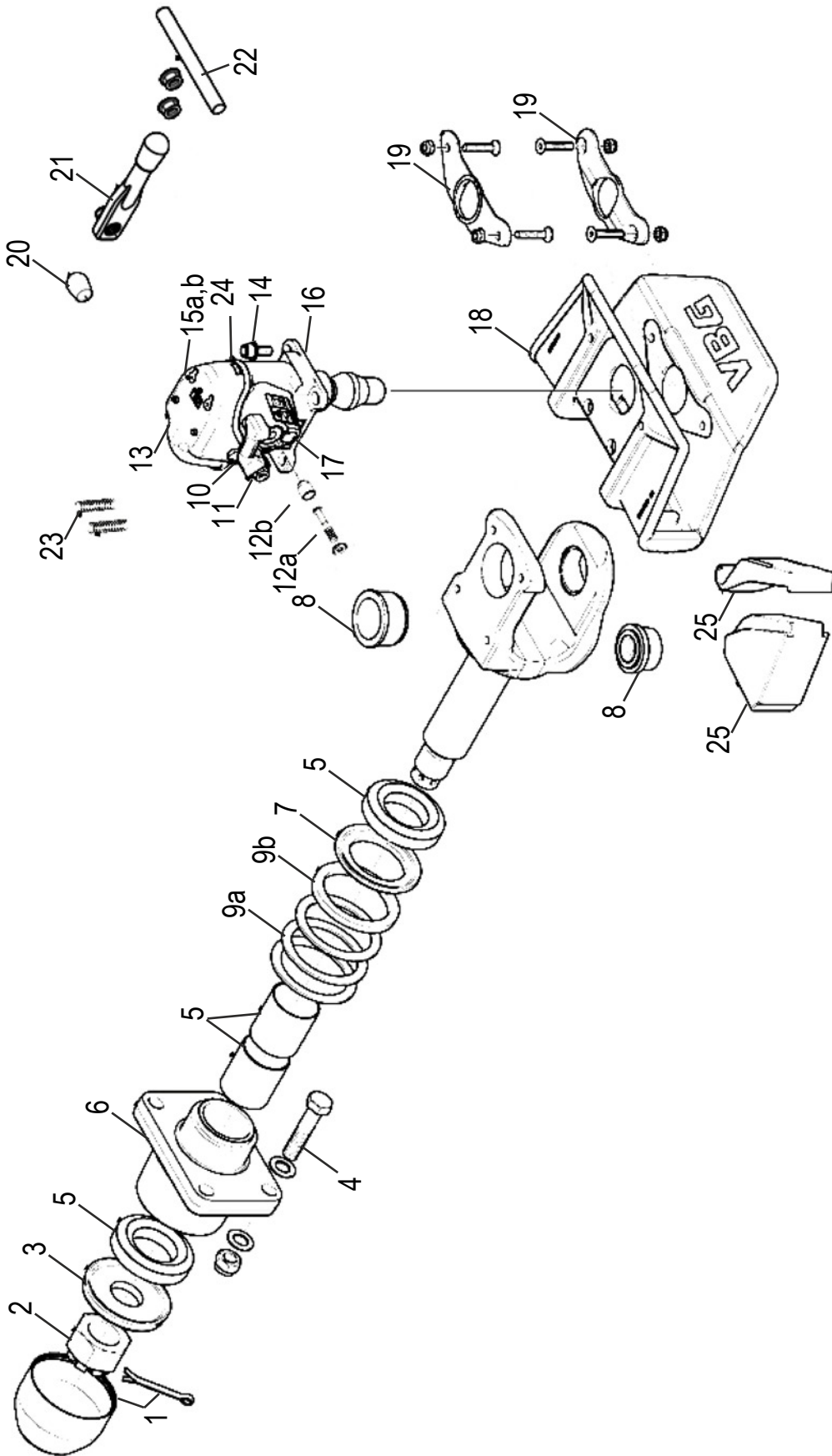
# VBG Couplings - Draw Bar Eyes



Chassis

Item	Part No.	Part No.	Description
1	15-020500	ST10079244	Drawbar eye kit (includes item 2,3,4parts )
2	15-022700	ST10079245	NSS
3	15-022500	ST10079246	NSS
4	15-020400	ST10079247	NSS
5	18-013800	SC2025421	Slotted bush
6	18-088800	SC2025423	Slotted bush
6	18-088801	ST10079248	Slotted wear ring 10 pcs.
7	18-088600	SC2025422	Non-Slotted bush
8	18-010400	SC1740628	Wear ring 57,5 mm
8	18-010401	SC1887019	Wear ring 57,5 mm 10 pcs.
9	18-002800	ST10079249	Castelled nut kit for drawbar eye
10	15-019200	SC1886984	Screw kit for drawbar eye VBG 190
10	15-020600	ST10074381	Screw kit for drawbar eye VBG 917
11	18-004800	ST10079250	Wear gauge 40
12a	18-004700	SC1907254	Wear gauge 50/57 plastic
12b	18-004600	SC1887018	Wear gauge 50/57

Notes:

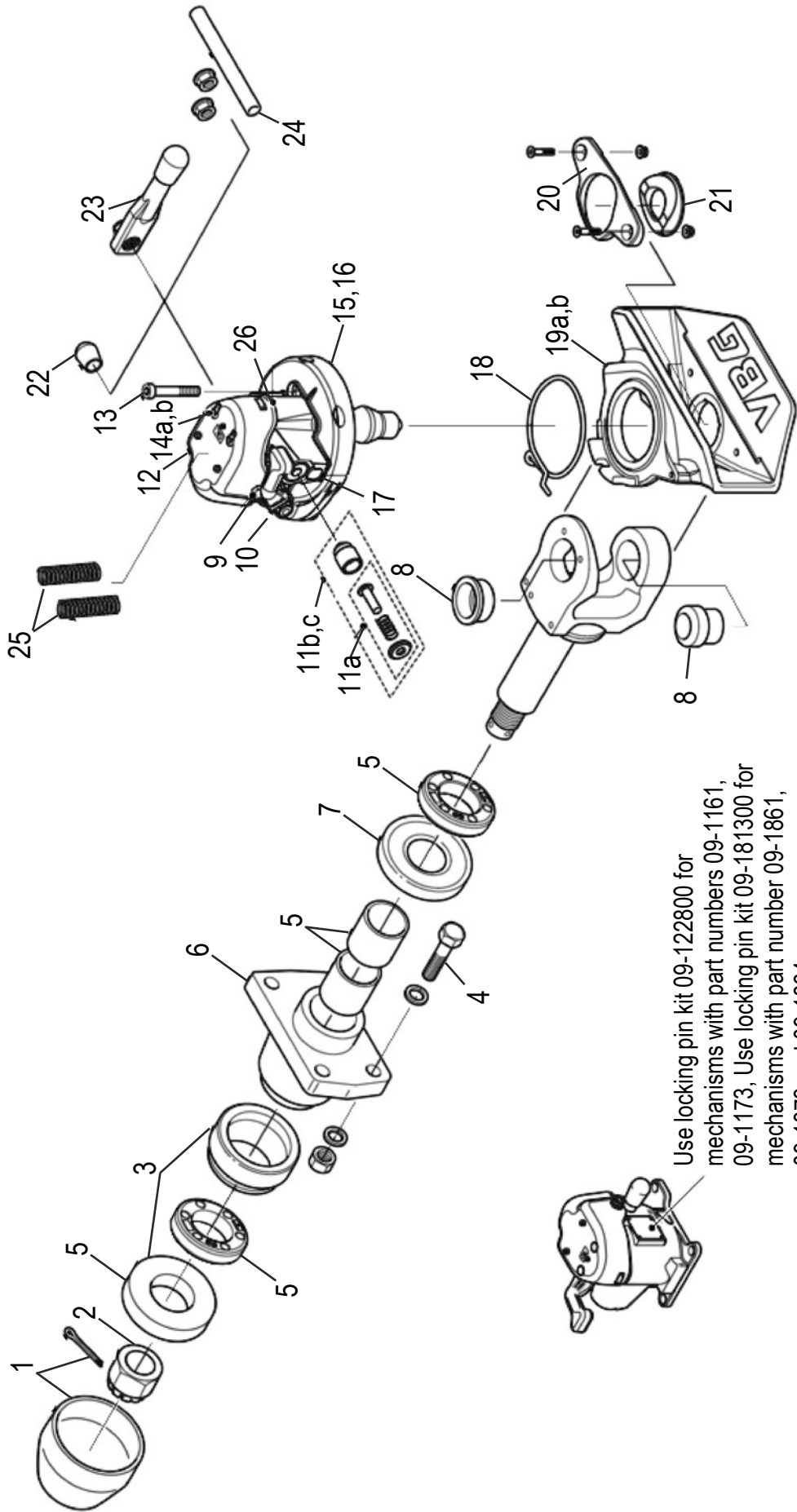


# VBG Couplings - VBG575V-2

Item	Part No.	Part No.	Description
	09-070100	SC2248313	VBG 575V-2 Auto
	09-072200	SC2248325	VBG 575V -2 Air Operated Coupling
	07-108000	SC1511753	Control box for 09-072200/09-101600
1	09-065400	SC2009966	Nut cover incl. split pin
2	18-004900	ST10079216	Castellated nut
3	18-054900	SC1907258	Bearing plate inner
4	05-063400	SC1907239	Screw kit for drawbeam sleeve
5	09-066200	SC1779964	Rubber bearing kit
6	09-067300	ST10079217	Drawbeam sleeve comes with items 1, 4, 5
7	18-054700	SC1907257	Bearing plate outer
8	09-073500	ST10079218	Bushing kit
9a	18-003000	ST10074818	Beam spacer kit 4 mm, 3 pcs.
9b	18-066400	SC1907259	Beam spacer 10 mm
10	09-123600	SC1857951	Screw kit for mechanism cover
11	09-123200	SC1857947	Handle left
12a	09-126300	ST10074493	Signal pin kit
12b	09-181300	ST10077201	Indicator & locking device kit for mechanism 09-1838, 09-1862
13	09-123100	SC1857945	Mechanism cover
14	09-120800	SC1857923	Screw kit for mechanism
15a	09-177500	SC1922569	Grease plug 10 pcs.
15b	09-127000	ST10079219	Grease plug 3 pcs.
16	09-073300	ST10079220	Mechanism
17	09-127100	SC1857943	Plastic plug for position sensor
18	09-073600	ST10079221	Guiding funnel
19	09-073400	ST10079222	Wear plate 2 kits
20	09-123700	SC1857952	Cap for handle
21	09-123300	SC1857948	Handle A
22	09-126400	ST10079223	Sleeve kit 67 mm for moving handle from left to right side
23	09-126500	ST10079224	Closing spring kit
24	09-177600	SC1922570	Sealing kit for cover
25	09-073800	ST10079225	Compression element
26	09-073700	ST10079226	Guiding plate

Notes:

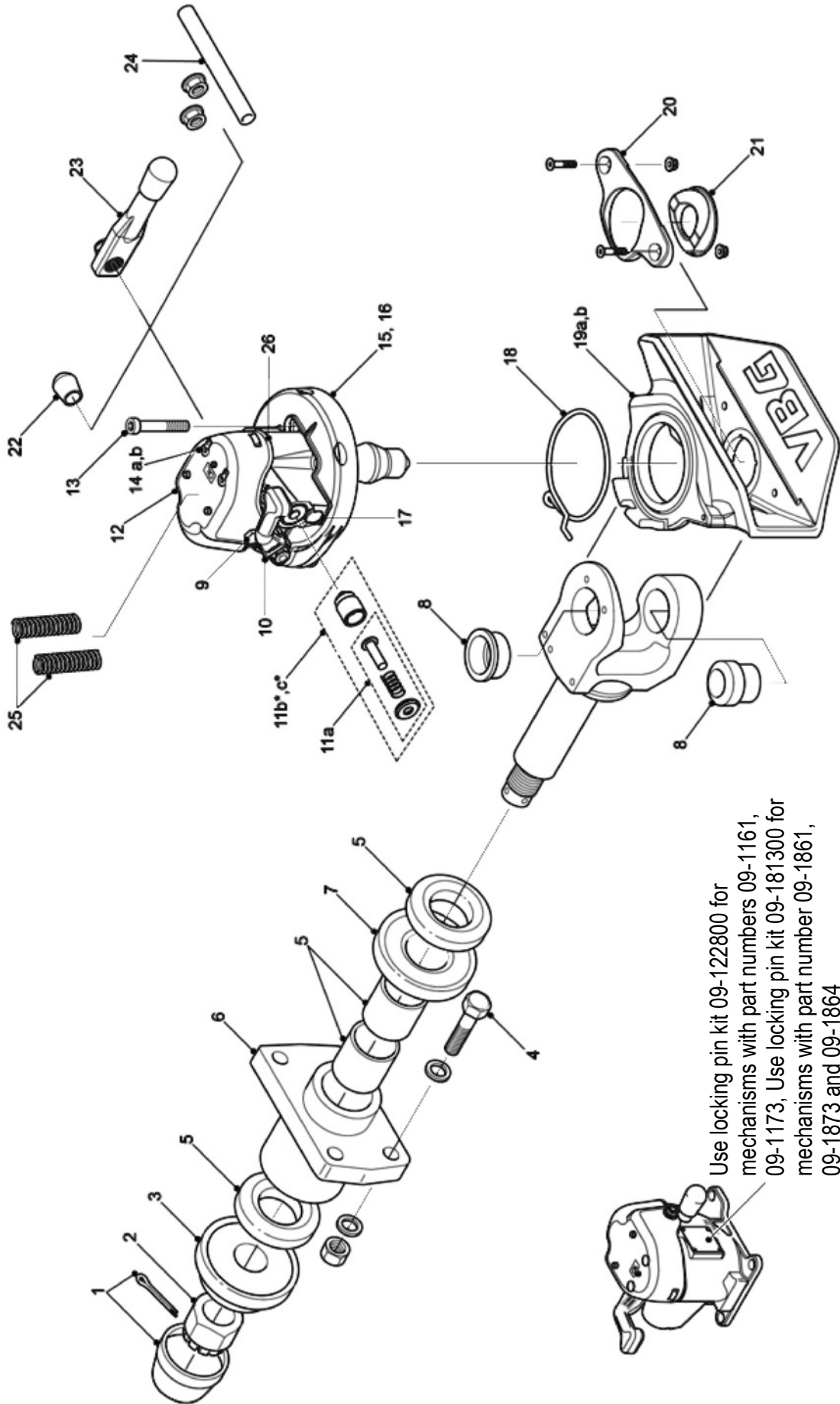
Chassis



# VBG Couplings - VBG590VR

Item	Part No.	Part No.	Description
	09-072300	SC2248326	VBG 590VR Coupling 50mm complete
1	09-125400	ST10079227	Nut cover and split pin
2	18-004900	ST10079216	Castellated nut
3	09-125500	ST10079228	Bearing plate kit, inner
4	05-063400	SC1907239	Bolt kit
5	09-178400	ST10079229	Rubber bearing kit, incl. Pos 1
6	09-125700	ST10079230	Drawbeam sleeve VBG incl. Pos 1, 3, 4, 5
7	09-125800	ST10079231	Bearing plate, outer
8	09-121300	SC1857928	Bushing kit
9	09-123600	SC1857951	Bolt kit for mechanism cover
10	09-182700	SC2154576	Handle left
11a	09-126300	ST10074493	Signal pin kit
11b	09-122800	SC1857942	Indicator & locking device kit (for 09-1238, 09-1162)
11c	09-181300	ST10077201	Indicator & locking device kit (for 09-1838, 09-1862)
12	09-123100	SC1857945	Mechanism cover
13	09-120800	SC1857923	Bolt kit
14a	09-177500	SC1922569	Plastic cap, 10-pcs
14b	09-127000	ST10079219	Plastic cap, 3-pcs
15	09-120900	SC1857924	Cover kit
16	09-121000	SC1857569	Mechanism incl Pos 8, 13, 18, 21
17	09-127100	SC1857943	Plastic plug, 10-pcs
18	18-061400	SC1887021	Torsion spring
19a	09-124100	SC1857955	Guiding funnel version 3.0
19b	09-061073	SC1887076	Guiding funnel version 2.0
20	09-121200	SC1857927	Wear Plate Holder
21	09-121100	SC1857925	Wear plate kit incl Pos 20
22	09-123700	SC1857952	Cap for handle
23	09-123300	SC1857948	Handle right
24	09-126400	ST10079223	Sleeve Kit
25	09-126500	ST10079224	Closing Spring Kit, for moving handle left to right
26	09-177600	SC1922570	Sealing Kit for cover

Notes:





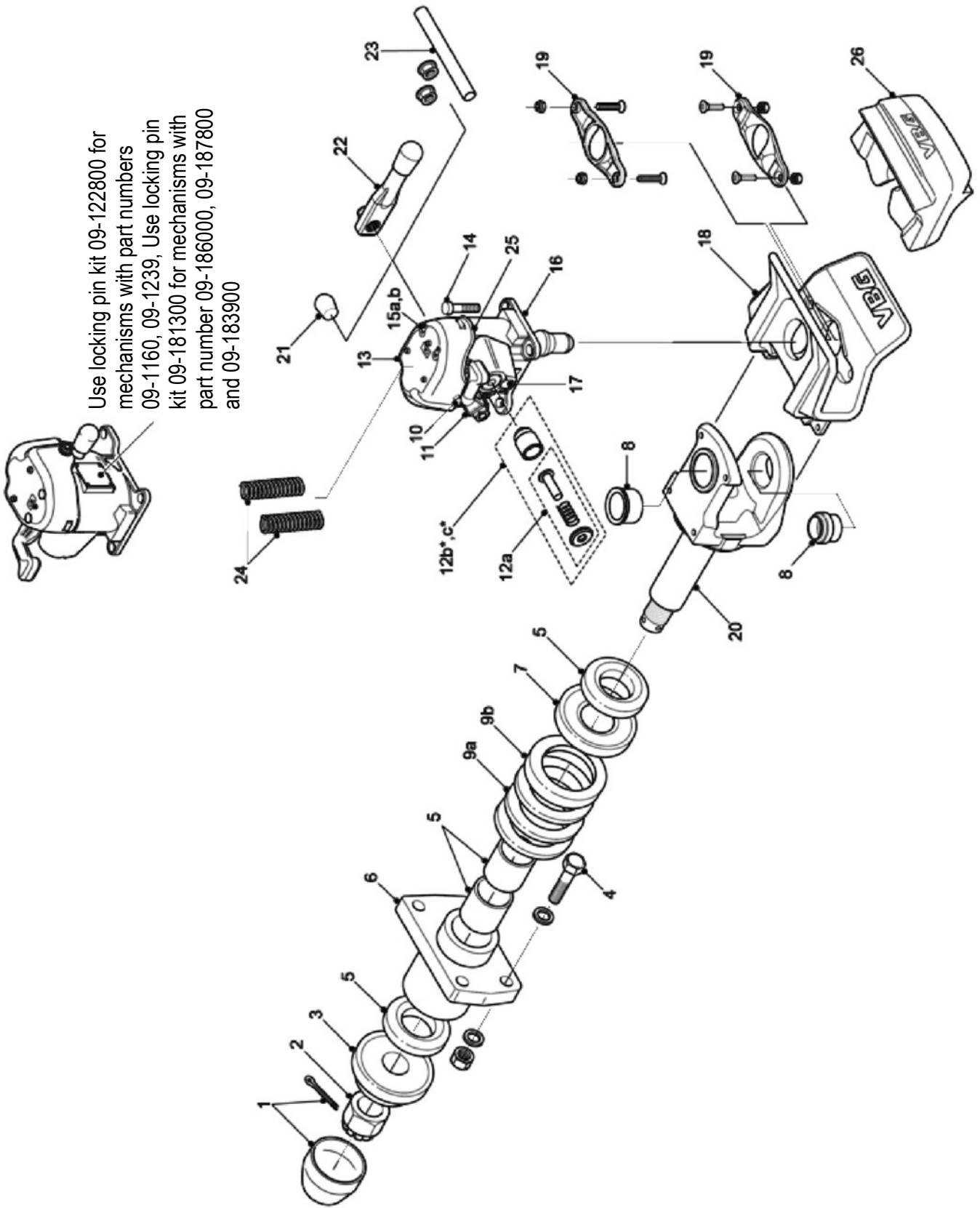
## VBG Couplings - VBG575V & VBG590V

Item	Part No.	Part No.	Description
	09-070100	SC2248313	VBG 575V Coupling 50mm complete
	09-059000	SC2025424	VBG 590V Coupling 50mm complete
1	09-065400	SC2009966	Nut cover and split pin
2	18-004900	ST10079216	Castellated nut
3	18-054900	SC1907258	Bearing plate, inner
4	05-063400	SC1907239	Bolt kit
5	09-066200	SC1779964	Rubber bearing kit, incl. Pos 1
6A	09-054200	ST10079233	Drawbeam sleeve VBG 575V incl. Pos 5b
6B	09-067300	ST10079217	Drawbar sleeve 590V
7	18-054700	SC1907257	Bearing plate, outer
8	09-121300	SC1857928	Bushing kit
9	09-123600	SC1857951	Bolt kit for mechanism cover
10	09-182700	SC2154576	Handle left
11a	09-126300	ST10074493	Signal pin kit
11b	09-122800	SC1857942	Indicator & locking device kit (for 09-1238, 09-1162)
11c	09-181300	ST10077201	Indicator & locking device kit (for 09-1838, 09-1862)
12	09-123100	SC1857945	Mechanism cover complete kit
13	09-120800	SC1857923	Bolt kit
14a	09-177500	SC1922569	Plastic cap, 10-pcs
14b	09-127000	ST10079219	Plastic cap, 3-pcs
15	09-120900	SC1857924	Cover kit
16	09-121000	SC1857569	Mechanism incl Pos 8, 13, 18, 21
17	09-127100	SC1857943	Plastic plug, 10-pcs
18	18-061400	SC1887021	Torsion spring
19a	09-124100	SC1857955	Guiding funnel version 3.0
19b	09-061073	SC1887076	Guiding funnel version 2.0
20	09-121200	SC1857927	Wear Plate Holder
21	09-121100	SC1857925	Wear plate kit incl Pos 20
22	09-123700	SC1857952	Cap for handle
23	09-123300	SC1857948	Handle right
24	09-126400	ST10079223	Sleeve Kit
25	09-126500	ST10079224	Closing Spring Kit, for moving handle left to right
26	09-177600	SC1922570	Sealing Kit for cover

Notes:

Chassis

Chassis

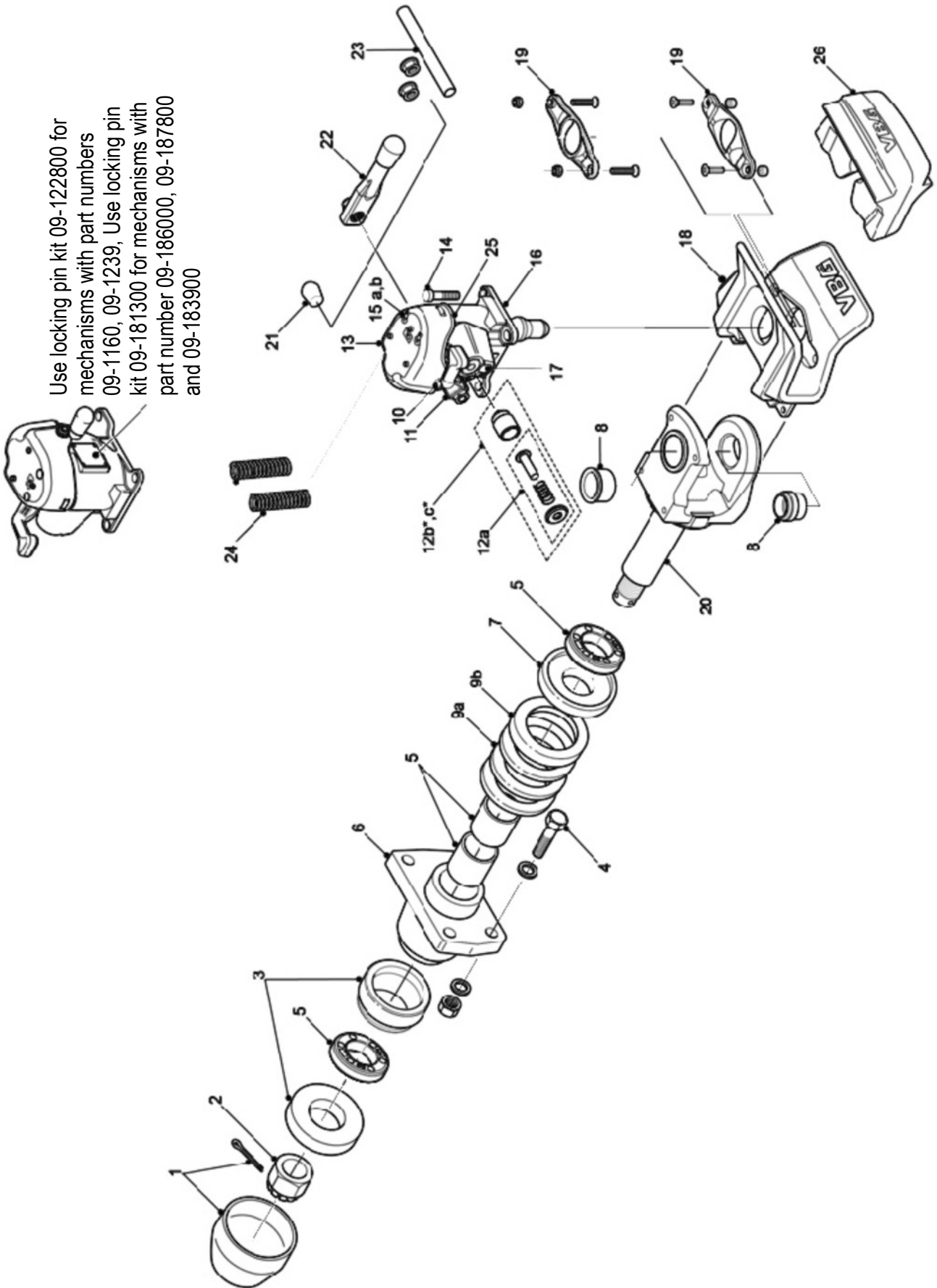


## VBG Couplings - VBG 795V

Item	Part No.	Part No.	Description
	09-052000	SC1802451	VBG795V Auto Coupling 57mm complete
	09-101600	SC1857269	VBG795V Air operated Coupling complete
	07-108000	SC1511753	Control box for 09- 072200/09-101600
1	09-065400	SC2009966	Nut cover incl. split pin
2	18-004900	ST10079216	Castellated nut
3	18-054900	SC1907258	Bearing plate inner
4	05-063400	SC1907239	Screw kit for drawbeam sleeve
5	09-066200	SC1779964	Rubber bearing kit
6	09-067300	ST10079217	Drawbeam sleeve incl pos. 1, 4 and 5
7	18-054700	SC1907257	Bearing plate outer
8	09-068400	SC1886973	Bush kit
9a	18-003000	ST10074818	Beam spacer kit 4 mm, 3 pcs.
9b	18-066400	SC1907259	Beam spacer 10 mm
10	09-123600	SC1857951	Screw kit for mechanism cover
11	09-182700	SC2154576	Handle L
12a	09-126300	ST10074493	Signal pin kit
12b	09-122800	SC1857942	Indicator & locking device kit for mechanism 09-1238 and 09-1162
12c	09-181300	ST10077201	Indicator & locking device kit for mechanism 09-1838 and 09-1862
13	09-123100	SC1857945	Mechanism cover
14	09-119300	SC1857920	Screw kit for mechanism
15a	09-177500	SC1922569	Grease plug 10 pcs.
15b	09-127000	ST10079219	Grease plug 3 pcs.
16	09-119000	SC1857097	Mechanism incl.09-068400, 09-119300 09-066100 (x 2)
17	09-127100	SC1857943	Plastic plug for position sensor
18	09-069700	SC1740626	Guiding funnel
19	09-066100	SC1740624	Wear plate 1 kit
20	09-067100	SC1907247	Coupling jaw
21	09-123700	SC1857952	Cap for handle
22	09-123300	SC1857948	Handle A
23	09-126400	ST10079223	Sleeve kit 67 mm for moving handle from left to right side
24	09-126500	ST10079224	Closing spring kit
25	09-177600	SC1922570	Sealing kit for cover
26	09-014500	SC1907245	Protective insert
	09-119700	SC1857274	Conversion kit 3.0 for VBG 750V/795V incl. 09-119000, 09-119400
	09-120100	SC1857284	Conversion kit 3.0 for VBG 750V/795V incl. 09-119000, 09-119400, 09-119800
	09-119500	SC1857272	Renovation kit for VBG 750V/795V incl. 09-066200, 09-119000, 09-119400
	09-119900	SC1857282	Renovation kit for VBG 750V/795V incl. 09-066200, 09-119000, 09-119400, 09-119800

Notes:

Chassis

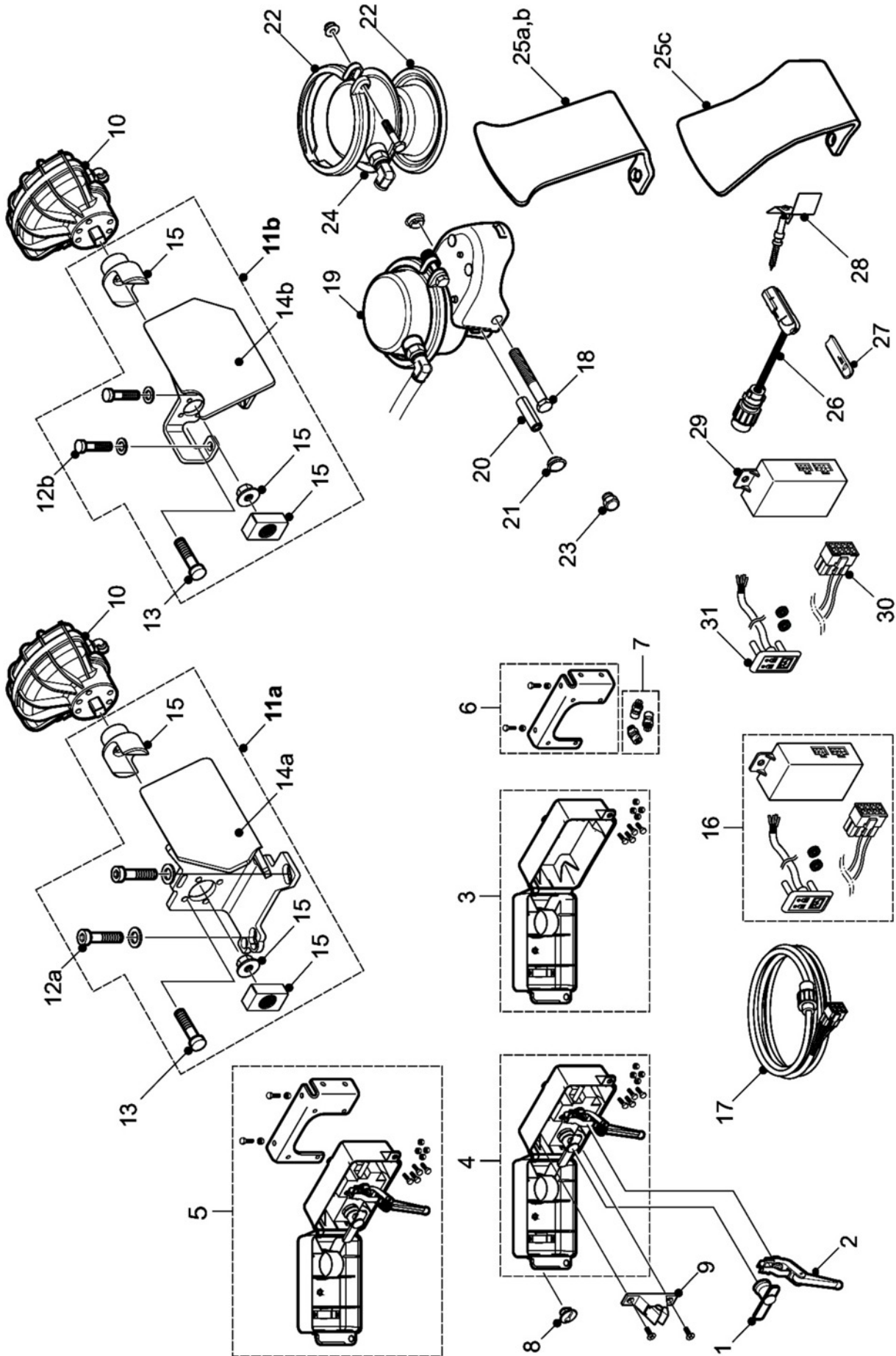


# VBG Couplings - VBG 795VR

Item	Part No.	Part No.	Description
	09-057900	ST10079685	VBG795VR Auto Coupling Complete Heavy duty operations (E.g. Forestry)
1	09-125400	ST10079227	Nut cover incl. split pin
2	18-004900	ST10079216	Castellated nut
3	09-125500	ST10079228	Bearing plate kit inner
4	05-063400	SC1907239	Screw kit for drawbeam sleeve
5	09-178400	ST10079229	Rubber bearing kit incl. 09-125400
6	09-125700	ST10079230	Drawbeam sleeve incl. pos. 1, 3, 4, 5
7	09-125800	ST10079231	Bearing plate outer
8	09-068400	SC1886973	Bush kit
9a	18-003000	ST10074818	Beam spacer kit 4 mm, 3 pcs.
9b	18-066400	SC1907259	Beam spacer 10 mm
10	09-123600	SC1857951	Screw kit for mechanism cover
11	09-182700	SC2154576	Handle L
12a	09-126300	ST10074493	Signal pin kit
12b	09-122800	SC1857942	Indicator & locking device kit for mechanism 09-1238 and 09-1162
12c	09-181300	ST10077201	Indicator & locking device kit for mechanism 09-1838 and 09-1862
13	09-123100	SC1857945	Mechanism cover
14	09-119300	SC1857920	Screw kit for mechanism
15a	09-177500	SC1922569	Grease plug 10 pcs.
15b	09-127000	ST10079219	Grease plug 3 pcs.
16	09-119000	SC1857097	Mechanism incl. 09-068400, 09-119300 09-066100 (x 2)
17	09-127100	SC1857943	Plastic plug for position sensor
18	09-069700	SC1740626	Guiding funnel
19	09-066100	SC1740624	Wear plate 1 kit
20	09-067100	SC1907247	Coupling jaw incl. 36-021800, 09-068400, 09-069700
21	09-123700	SC1857952	Cap for handle
22	09-123300	SC1857948	Handle A
23	09-126400	ST10079223	Sleeve kit 67 mm for moving handle from left to right side
24	09-126500	ST10079224	Closing spring kit
25	09-177600	SC1922570	Sealing kit for cover
26	09-014500	SC1907245	Protective insert
	09-119700	SC1857274	Conversion kit 3.0 incl. 09-119000, 09-119400
	09-120100	SC1857284	Conversion kit 3.0 incl. 09-119000, 09-119400, 09-119800
	09-178500	ST10079235	Conversion kit incl. 09-125400, 09-178400, 09-119000

Notes:

Chassis



## VBG Couplings - Power Actuator 3.0

Item	Part No.	Part No.	Description
1	07-107600	SC1866459	Handle
2	07-107700	SC1866458	Handle
3	07-107800	SC1787328	Valve box without valve
5	07-108000	SC1511753	Valve box complete, incl. bracket kit
6	07-107400	SC1787327	Bracket
7	07-107500	SC1853179	Nipple kit
9	07-108200	ST10079238	Plastic Plug
9	07-104400	SC1886961	Snap-lock
10	07-106900	SC1740610	Actuator
11a	09-119400	SC1857921	Bracket kit 750V/795V/ 795VR/760/8500/8040
11b	09-121500	SC1857930	Bracket kit 575V/590V/590VR
12a	09-122500	SC1857936	Screw kit for bracket 14a
12b	09-122600	SC1857937	Screw kit for bracket 14b
13	07-107200	SC1886965	Screw kit for torsion device
14a	09-113573	SC1857918	Bracket 750V/795V/795VR/760/8500/8040
14b	09-179700	SC2039247	Bracket 575V/590V/590VR
15	09-122700	SC1857940	Adapter kit
16	09-099200	SC1886975	Indicating kit
17	09-124200	SC1857956	Cabling, 12 m
18	09-123600	SC1857951	Screw kit for mechanism cover
19	09-124000	SC1857953	AM unit, incl. pos. 10
22	09-068300	SC1887079	Diaphragm kit
23	07-108400	ST10079241	Plug for AM Unit
24	09-055700	SC1886971	Cover AM
25a	09-124973	SC1886980	Protective bracket kit for 750V/795V AM,760 AM, 8500 AM
25b	09-124773	ST10079242	Protective bracket kit for 8040 AM
25c	09-124873	ST10079243	Protective bracket 575V AM
26	09-119800	SC1857922	Position sensor, complete kit
28	09-036500	SC1886970	Jackknife alarm kit, buzzer included in pos. 29
29	09-099400	SC1886977	Electronic unit
30	09-099500	SC1886978	Connector with clip
31	09-099300	SC1886976	Indicating panel incl. cable and nuts

Notes:

Chassis

# GENERAL

Description	Page No.	Description	Page No.
ADR Marker Board	5.7 - 5.8	Mudwings - Boydell & Jacks	5.26 - 5.27
Anti Luce Fasteners	5.14	Mudwings - Jonesco	5.29 - 5.32
Cargo Straps	5.20 - 5.21	Mudwings - Parlok	5.28
Conspicuity Tape	5.3	Mudwings Brackets	5.33 - 5.34
Curtain Ratchets	5.22	Mudwings Stays	5.33 - 5.34
Curtain Straps	5.20 - 5.21	Number Plate Holders	5.12
Document Holders	5.25	Ratchet Straps	5.20 - 5.21
Dog Clip & Chain	5.12	Ratchets - Curtain	5.22
Door Hinges	5.19	Reflective Equipment	5.2 - 5.3
Door Locks	5.19	Reflectors	5.2
Door Retainers	5.19	Road Cone	5.2
Fire Extinguisher Boxes	5.23 - 5.24	Roller Shutter Door	5.15 - 5.18
Fire Extinguishers	5.23	Rope Hooks	5.14
Glove Park	5.25	Rubber Buffers	5.13 - 5.14
Hand Brake Cable	5.14	Security Straps	5.19
Hand Brakes	5.14	Spill Kit Boxes	5.24
Hazchem Board	5.7 - 5.8	Spill Kits	5.24
Height Indicators	5.11	Tool Boxes	5.25
Internal Load Straps	5.20 - 5.21	Tricode System	5.7 - 5.8
License Holders	5.11	Warning Triangles	5.2
Marker Boards	5.4 - 5.9	Wheel Chocks	5.10
Mud Flaps	5.32	Wire Rope Grips	5.14



# Reflective Equipment

Oblong Reflector



Part No.	ST10074856	ST10073457	ST10072869
Colour	Amber	Red	White
Size	100mm x 45mm		

Notes:

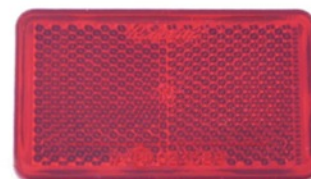
Oblong Reflector



Part No.	ST10071014	ST10071239	ST10071100
Colour	Amber	Red	White
Size	100mm x 51mm		

Notes: Self Adhesive

Oblong Reflector



Part No.	ST10078431	ST10078432	ST10078433
Colour	Amber	Red	White
Size	76mm x 44mm		

Notes: Self Adhesive

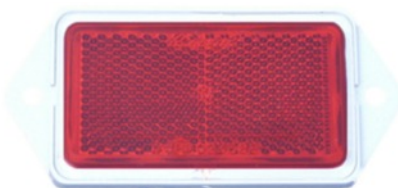
Oblong Reflector



Part No.	ST10078434	ST10072708	ST10078435
Colour	Amber	Red	White
Size	108mm x 44mm		

Notes: Self Adhesive

Oblong Reflector



Part No.	ST10072160	ST10072158	ST10072159
Colour	Amber	Red	White
Size	76mm x 48mm		

Notes: Self Adhesive

Round Reflector



Part No.	ST10078436	ST10074837	SC586060
Colour	Amber	Red	White
Size	57mm Dia		

Notes: Self Adhesive

Pendant Reflector



Part No.	ST10071566
Colour	Amber
Reflector Size	50mm x 50mm

Notes: Overall size 235mm

Triangle Reflector



Part No.	SC586059
Size	152 x 157mm
Hole Centres	70mm

Notes:

Triangle Reflector with White Surround



Part No.	ST10071112
Size	180 x 180mm
Hole Centres	70mm

Notes:

Triangle Reflector - Trucklite



Part No.	ST10071537
Size	160 x 140mm
Hole Centres	70mm

Notes:

Warning Triangle



Part No.	ST10072688
Size	420 x 420mm

Notes: Comes in a plastic container as shown

Road Cone



Part No.	ST10073412
Size	20" High

Notes:

General

# Reflective Equipment

## Red Reflective Conspicuity - Solid



Application	Size	Part No.
Rigid	12.5m	SC2203812
Rigid	50m	ST10071959

Notes:

## Yellow Reflective Conspicuity - Solid



Application	Size	Part No.
Rigid	12.5m	SC2203798
Rigid	50m	ST10071958
Curtain Sider	50m	ST10071961

Notes:

## White Reflective Conspicuity - Solid



Application	Size	Part No.
Rigid	12.5m	SC2203806
Rigid	50m	ST10071960
Curtain Sider	50m	ST10071962

Notes:

## Red Reflective Conspicuity - Segment



Part No.	ST10078407
Application	Tanker
Roll Size	50m

Notes:

## Yellow Reflective Conspicuity - Segment



Part No.	ST10078408
Application	Tanker
Roll Size	50m

Notes:

## White Reflective Conspicuity - Segment



Part No.	ST10078409
Application	Tanker
Roll Size	50m

Notes:

Notes:

# Marker Boards

UK Rear Marker Boards - BSAU152  
 Only suitable for trailers before 01/10/95 & vehicles before 01/04/96  
 Can be replaced with ECE70 marker boards

## Marker Board Type 1

Part No.	ST10071563	ST10073134
Quantity	Single	Single
Height	140mm	140mm
Width	1400mm	1400mm
Type	Aluminium	Self Adhesive



## Marker Board Type 2 & 3

Part No.	ST10071105	ST10072468
Quantity	Pair	Pair
Height	140mm	140mm
Width	700mm	700mm
Type	Aluminium	Self Adhesive



## Marker Board Type 4

Part No.	ST10071106	ST10073136
Quantity	Single	Single
Height	225mm	225mm
Width	1265mm	1265mm
Type	Aluminium	Self Adhesive



## Marker Board Type 5

Part No.	ST10072064	ST10072649
Quantity	Pair	Pair
Height	250mm	250mm
Width	525mm	525mm
Type	Aluminium	Self Adhesive



## Marker Board Type 3A

Part No.	ST10071564	ST10073135
Quantity	Pair	Pair
Height	265mm	265mm
Width	375mm	375mm
Type	Aluminium	Self Adhesive



## Marker Board Type 6

Part No.	ST10072652	ST10073137
Quantity	Pair	Pair
Height	235mm	235mm
Width	420mm	420mm
Type	Aluminium	Self Adhesive



# Marker Boards

European Marker Boards - ECE70  
 Only suitable for trailers before 01/7/2011  
 Can be replaced with ECE71 marker boards

## Marker Board Type 1

Part No.	ST10071019	ST10074116
Quantity	Single	Single
Height	130mm	130mm
Width	1130mm	1130mm
Type	Aluminium	Self Adhesive



## Marker Board Type 2 & 3

Part No.	ST10071020	ST10072467
Quantity	Pair	Pair
Height	130mm	130mm
Width	565mm	565mm
Type	Aluminium	Self Adhesive



## Marker Board Type 4

Part No.	ST10071021	ST10073132
Quantity	Four	Four
Height	130mm	130mm
Width	285mm	285mm
Type	Aluminium	Self Adhesive



## Marker Board Type 5

Part No.	ST10071237	ST10071023
Quantity	Single	Single
Height	195mm	195mm
Width	1130mm	1130mm
Type	Aluminium	Self Adhesive



## Marker Board Type 6 & 7

Part No.	ST10071022	ST10071024
Quantity	Pair	Pair
Height	195mm	195mm
Width	565mm	565mm
Type	Aluminium	Self Adhesive



## Marker Board Type 8

Part No.	ST10071543	ST10073133
Quantity	Four	Four
Height	195mm	195mm
Width	285mm	285mm
Type	Aluminium	Self Adhesive



# Marker Boards

European Marker Boards - ECE70.01  
Suitable for trailers from 01/7/2011

## Marker Board Type 1

Part No.	ST10078471	ST10078472
Quantity	Single	Single
Height	130mm	130mm
Width	1130mm	1130mm
Type	Aluminium	Self Adhesive



## Marker Board Type 2 & 3

Part No.	SC2203758	ST10078474
Quantity	Pair	Pair
Height	130mm	130mm
Width	565mm	565mm
Type	Aluminium	Self Adhesive



## Marker Board Type 4

Part No.	SC2203760	ST10078476
Quantity	Four	Four
Height	130mm	130mm
Width	285mm	285mm
Type	Aluminium	Self Adhesive



## Marker Board Type 5

Part No.	SC2203772	ST10078478
Quantity	Single	Single
Height	195mm	195mm
Width	1130mm	1130mm
Type	Aluminium	Self Adhesive



## Marker Board Type 6 & 7

Part No.	SC2203774	ST10078480
Quantity	Pair	Pair
Height	195mm	195mm
Width	565mm	565mm
Type	Aluminium	Self Adhesive



## Marker Board Type 8

Part No.	SC2203775	ST10078482
Quantity	Four	Four
Height	195mm	195mm
Width	285mm	285mm
Type	Aluminium	Self Adhesive

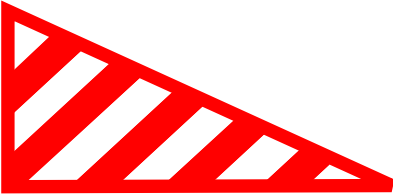


General

# Marker Boards & Signs

General

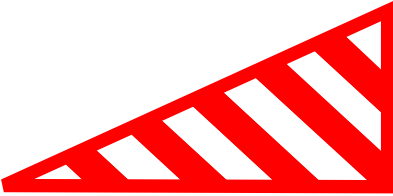
**Nearside Load Protection Marker**



Part No.	ST10078483	ST10078484
Type	Metal	Vinyl
Size	1524mm x 610mm	

Notes:

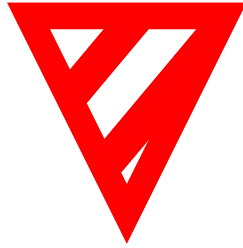
**Offside Load Protection Marker**



Part No.	ST10078485	ST10078486
Type	Metal	Vinyl
Size	1524mm x 610mm	

Notes:


**Long Load Marker**



Part No.	ST10074520	ST10076685
Type	Metal	Vinyl
Size	610mm x 680mm x 680mm	

Notes:

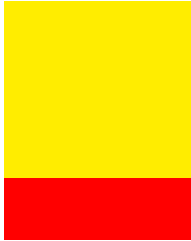
**School Bus Sign**



Part No.	ST10078487	ST10078488
Type	Front	Rear
Size	250 x 250mm	400 x 400mm

Notes:


**Tail Lift Marker**



Part No.	AC63002
Size	260mm x 300mm

Notes:


**Marker Board Holder**



Part No.	ST10072036
Size	400mm x 300mm

Notes:

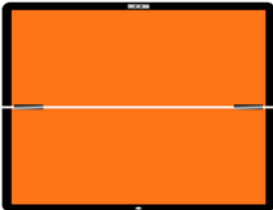
**Hazchem Board**



Part No.	ST10072035
Type	Aluminium
Size	400mm x 300mm

Notes:


**Folding Hazchem Board**



Part No.	ST10076545
Type	Aluminium
Size	400mm x 300mm

Notes: Folding Horizontal

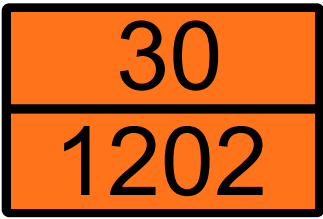
**Folding Hazchem Board**



Part No.	ST10076546
Type	Aluminium
Size	400mm x 300mm

Notes: Folding Vertical

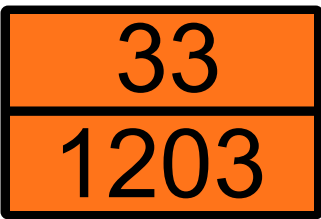
**ADR Marker Board**



Part No.	ST10078489
Type	Aluminium
Size	400mm x 300mm

Notes: Application - Diesel

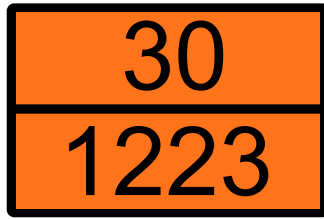
**ADR Marker Board**



Part No.	ST10078490
Type	Aluminium
Size	400mm x 300mm

Notes: Application - Petrol

**ADR Marker Board**

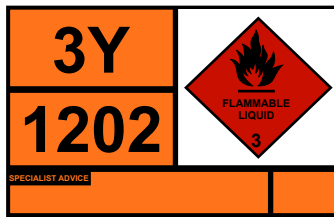


Part No.	ST10078491
Type	Aluminium
Size	400mm x 300mm

Notes: Application - Kerosene

# Marker Boards & Signs

Hazchem Label



Part No.	ST10078993	ST10078994
Type	Plastic	Self Adhesive

Notes: Application Diesel

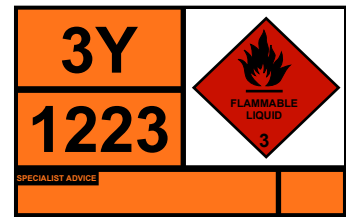
Hazchem Label



Part No.	ST10078995	ST10078996
Type	Plastic	Self Adhesive

Notes: Application Petrol

Hazchem Label



Part No.	ST10078997	ST10078998
Type	Plastic	Self Adhesive

Notes: Application Kerosene

Tricode System



Part No.	ST10074299
----------	------------

Notes: Application Diesel, Petrol & Kerosene

Kemler Tricode System



Part No.	ST10078999
----------	------------

Notes: Application Diesel, Petrol & Kerosene

Spare Letters for Tricode



(0) Part No.	ST10079148
(2) Part No.	ST10079149
(3) Part No.	ST10079150

Notes: Suits ST10078999

Single Hazchem Triplex System



Part No.	ST10079044
Type	Single Digit & Diamond

Notes:

Double Hazchem Triplex System



Part No.	ST10079043
----------	------------

Notes:

Side Entry Holder



Part No.	ST10079045
Type	Side Entry

Notes:

Top Entry Holder



Part No.	ST10079046
Type	Top Entry

Notes:

Fish & Tree Diamond Holder



Part No.	ST10079047
----------	------------

Notes:

Fish & Tree Diamond Holder



Part No.	ST10079048
----------	------------

Notes:

General

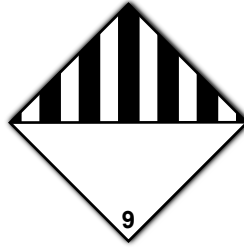
# Marker Boards & Signs

Fish & Tree Diamond



Type	Plastic	Self Adhesive
8" Part No.	ST10079166	ST10079167
10" Part No.	ST10077996	ST10077997
12" Part No.	ST10079168	ST10079169

Dangerous Substance Diamond



Type	Plastic	Self Adhesive
8" Part No.	ST10079170	ST10079171
10" Part No.	ST10079049	ST10079050
12" Part No.	ST10079172	ST10079173

Flammable Liquid Diamond



Type	Plastic	Self Adhesive
8" Part No.	ST10079174	ST10079175
10" Part No.	ST10079051	ST10078278
12" Part No.	ST10079176	ST10079177

Oxidizing Agent Diamond



Type	Plastic	Self Adhesive
8" Part No.	ST10079178	ST10079179
10" Part No.	ST10079052	ST10079053
12" Part No.	ST10079180	ST10079181

Dangerous When Wet Diamond



Type	Plastic	Self Adhesive
8" Part No.	ST10079182	ST10079183
10" Part No.	ST10079054	ST10079055
12" Part No.	ST10079184	ST10079185

Compressed Gas Diamond



Type	Plastic	Self Adhesive
8" Part No.	ST10079186	ST10079187
10" Part No.	ST10079056	ST10079057
12" Part No.	ST10079188	ST10079189

Non Flammable Gas Diamond



Type	Plastic	Self Adhesive
8" Part No.	ST10079190	ST10079191
10" Part No.	ST10079058	ST10079059
12" Part No.	ST10079192	ST10079193

Elevated Temperature Diamond



Type	Plastic	Self Adhesive
8" Part No.	ST10079194	ST10079195
10" Part No.	ST10079060	ST10079061
12" Part No.	ST10079196	ST10079197

Toxic Diamond



Type	Plastic	Self Adhesive
8" Part No.	ST10079198	ST10079199
10" Part No.	ST10079062	ST10079063
12" Part No.	ST10079200	ST10079201

Corrosive Diamond



Type	Plastic	Self Adhesive
8" Part No.	ST10079202	ST10079203
10" Part No.	ST10077998	ST10077999
12" Part No.	ST10079204	ST10079205

Diamond Holder



8" Part No.	ST10079206
10" Part No.	ST10079064
12" Part No.	ST10079207

Notes:

General



# Wheel Chocks

Wheel Chock



Part No.	ST10570073
Width	200mm
Height	230mm
Length	470mm

Notes:

Wheel Chocks



Part No.	ST10078496	ST10072456
Width	200mm	200mm
Height	230mm	232mm
Length	470mm	494mm
Weight	1.9kg	2.3kg

Notes:

Wheel Chock - COBO



Part No.	ST10570074
Width	200mm
Height	300mm
Length	410mm

Notes:

Wheel Chock Holder



Part No.	ST10570076
----------	------------

Notes: To suit above wheel chock

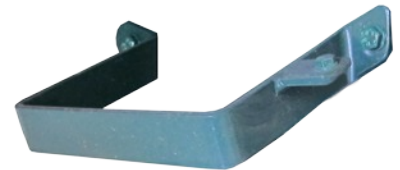
Wheel Chock Holders



Part No.	ST10078389	ST10074354
Weight	1.9kg	2.3kg

Notes: To suit above wheel chock

Wheel Chock Holder - COBO



Part No.	ST10570075
----------	------------

Notes: To suit above wheel chock

Steel Wheel Chocks



Part No.	ST10076873	ST10076874	ST10076602
Width	120mm	160mm	200mm
Height	160mm	160mm	285mm
Length	300mm	300mm	470mm
Weight	1.5kg	3.5kg	6.5kg
Wheel	30"	38"	48"
Holder	ST10078387	ST10072366	ST10073371

Notes:

Wheel Chocks



Part No.	SC2082638	SC1367447
Type	Plastic	Steel
Width	205mm	200mm
Height	232mm	280mm
Length	447mm	460mm

Notes:

Wheel Chock



Part No.	ST10077084
Width	235mm
Height	150mm
Length	200mm

Notes:

General

# License Holders & Height Indicators

Single License Holder



Part No. ST10071115

Notes:

Double License Holder



Part No. ST10071392

Notes:

Triple License Holder



Part No. ST10072027

Notes:

VTG6 Plate Holder



Part No. ST10074854

Notes: Size 178mm x 127mm

VTG6 Plate Holder



Part No. ST10078390

Notes: Size: 190mm x 145mm

VTG6 Plate Holder & Disc Holder



Part No. ST10074237

Notes: Size: 190mm x 145mm

VTG6A Plate Holder & Disc Holder



Part No. ST10071086

Notes: Size: 185mm x 204mm

VTG6A Plate Holder



Part No. ST10072928

Notes: Size: 185mm x 204mm

VTG6A Plate Holder



Part No. ST10071116

Notes: Size 178mm x 178mm

Height Indicator - imperial



Part No. ST10073202

Notes: From 8ft to 20ft 11"  
Size W156mm x H125mm, Plastic body Pre Drilled

Height Indicator - imperial



Part No. ST10078391

Notes: From 10ft to 19ft 11"  
Size W165mm x H85mm, Heavy duty metal, Supplied with velcro pads

Height Indicator - imperial



Part No. ST10072831

Notes: From 10ft to 17ft 11"  
Size W170mm x H100mm, Plastic Wallet Supplied with velcro pads

General

# Number Plate Holders

Number Plate Holder



Part No. **ST10071127**

Notes: Size 241mm x 292mm

Number Plate Holder



Part No. **ST10071396**

Notes: Size 304mm x 206mm

Number Plate Holder



Part No. **ST10071546**

Notes: Size 250mm x 290mm

Number Plate Holder



Part No. **ST10270225**

Notes: Size 520mm x 120mm

Number Plate Holder



Part No. **ST10270230**

Notes: Size 364mm x 256mm

Number Plate Holder



Part No. **ST10071270**

Notes: Size 328mm x 254mm

Number Plate Holder & Light



Part No. **ST10071271**

Notes: Size 328mm x 254mm

Number Plate Holder



Part No. **ST10078392**

Notes: Size 300mm x 210mm

Number Plate Holder



Part No. **ST10078393**

Notes: Size 300mm x 210mm

Number Plate Light Bracket



Part No. **ST10078394**

Notes: For use with ST10071386 & ST10071271

Number Plate Light Bracket



Part No. **ST10270229**

Notes: For use with ST10270230

Dog Clip & Chain



Part No. **ST10074240**

Notes:

# Rubber Buffers

Single Roller - Horizontal Mount



Part No. **ST10078395**

Notes:

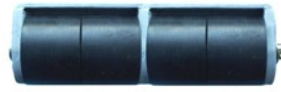
Twin Roller - Horizontal Mount



Part No. **ST10073310**

Notes:

Quad Roller - Horizontal Mount



Part No. **ST10074476**

Notes:

Replacement Roller



Part No. **ST10072684**

Notes: Suits all Models

Twin Roller - Vertical Mount



Part No. **ST10078396**

Notes:

Tri Roller - Vertical Mount



Part No. **ST10078397**

Notes:

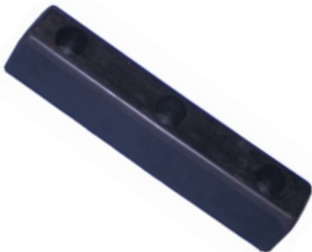
Roller Axle Kits



Part No.	Length	Application
ST10078398	120mm	ST10078396 ST10078397
ST10077282	136mm	ST10078395
ST10073309	215mm	ST10073310
ST10073956	395mm	ST10074476

Notes:

Rubber Buffer



Part No. **ST10074338**

Notes: Size 254mm x 51mm x 51mm  
Hole Centres 90mm, Hole Dia 10mm

Rubber Buffer



Part No. **ST10077647**

Notes: Size 305mm x 51mm x 51mm  
Hole Centres 113mm, Hole Dia 11mm

Rubber Buffer



Part No. **ST10072956**

Notes: Size 400mm x 50mm x 56mm

Rubber Buffer



Part No. **ST10073005**

Notes: Size 152mm x 51mm x 51mm  
Hole Centres 75mm, Hole Dia 12mm

Rubber Buffer



Part No. **ST10074627**

Notes: 203mm x 51mm x 51mm  
Hole Centres 115mm, Hole Dia 11mm

Rubber Buffer



Part No. **ST10072952**

Notes: Size: 245mm x 80mm x 92mm

Rubber Buffer



Part No. **ST10078400**

Notes: Size 250mm x 75mm x 84mm  
Hole Centres 120mm, Hole Dia 12mm

Rubber Buffer



Part No. **ST10074780**

Notes: Size 340mm x 100mm x 100mm  
Hole Centres 200mm, Hole Dia 12mm

# Rubber Buffers, Rope Hooks & Hand Brake Equipment

Rubber Buffer



Part No. ST10078399

Notes: Size: 200mm x 150mm x 85mm  
Hole Centres 75 x 115mm

D Shaped Rubber Buffer



Part No. ST10072448

Notes: Size 203mm x 83mm x 83mm  
Hole Centres 135mm, Hole Dia 9mm

D Shaped Rubber Buffer



Part No. ST10072210

Notes: Size 2.4m x 83mm x 83mm  
No Mounting Holes

Rubber Buffer



Part No. ST10073623

Notes: Size 127mm x 41mm x 38mm  
Hole Centres 65mm, Hole Dia 11mm

Rubber Buffer



Part No. ST10071901

Notes: Size 67mm x 38mm x 22mm  
Hole Centres 45mm, Hole Dia 5mm

Rope Hook - Weld On



Part No. ST10072777

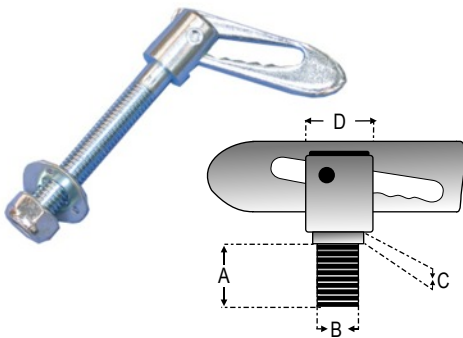
Notes: 15.9mm Dia

Rope Hook - Bolt On



Part No.	Plate Size	Dia	Description
ST10078501	108 x 25mm	13mm	Forged Steel
ST10078502	69 x 23mm	11mm	Self Colour Steel
ST10078503	84 x 23mm	11mm	Aluminium

## Anti Luce Fasteners



Part No.	A	B	C	D	Thread
ST10072668	19mm	8mm	2mm	13mm	M8
ST10072304	19mm	12mm	6mm	19mm	M12
ST10073998	20mm	12mm	4mm	19mm	M12
ST10074943	28mm	12mm	5mm	19mm	M12
ST10078402	64mm	13mm	12mm	19mm	1/2" UNF
ST10078497	n/a	12mm	n/a	19mm	Weld On
ST10078498	n/a	12mm	n/a	19mm	Weld On
ST10078499	n/a	8mm	n/a	13mm	Weld On
ST10078500	22mm	12mm	29mm	19mm	1/2" UNF

Notes: Part No. ST10078500 comes with retention spring  
All threaded fasteners come with self locking nuts

Wire Rope Grip



Part No. ST10071174

Notes: For 6mm Cable

Wire Rope Thimble



Part No. ST10071394

Notes: For 6mm Cable

Hand Brake Cable



Part No. ST10071395

Notes: 30m Roll x 6mm

Hand Brakes - R/H Shown



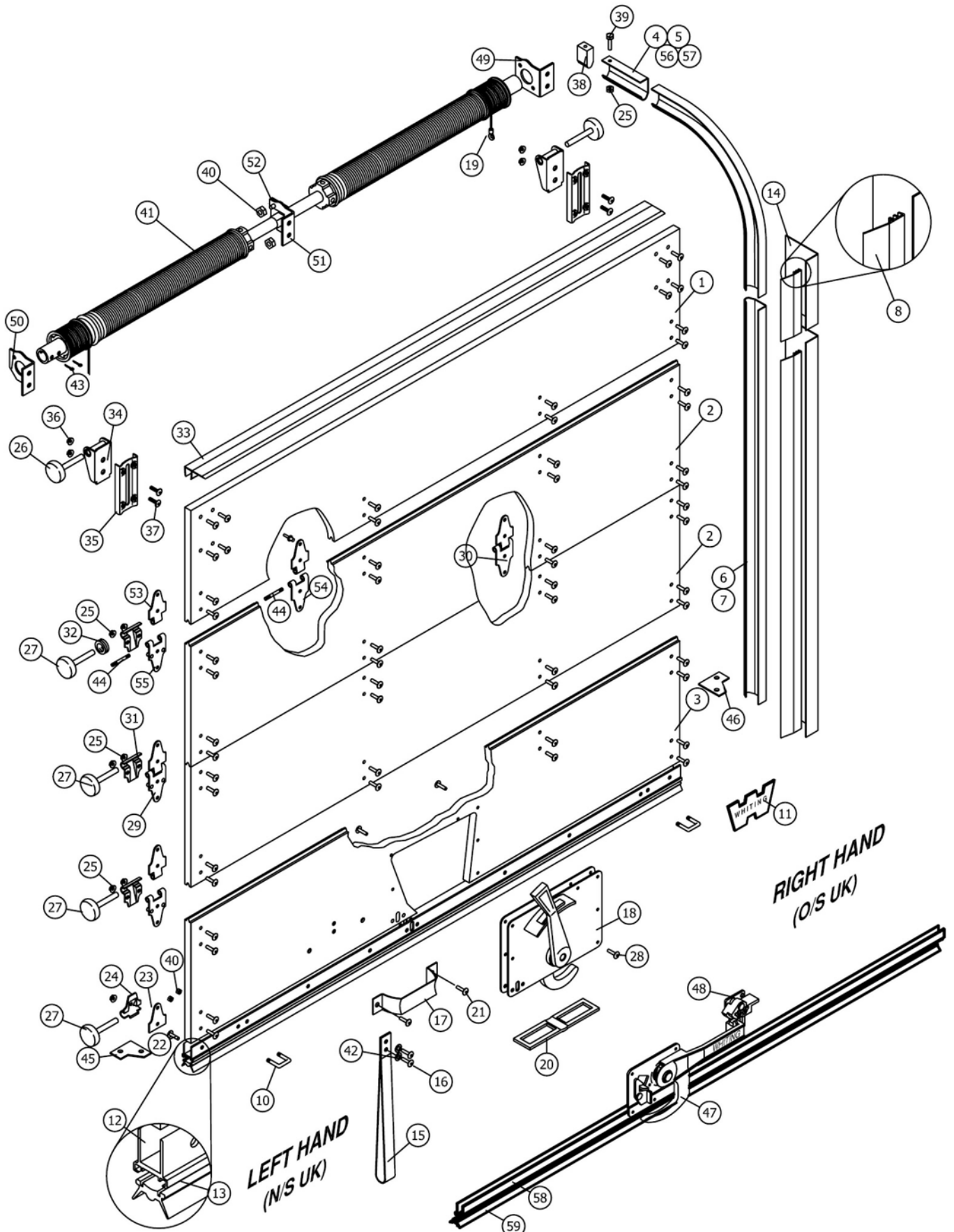
R/H Part No. ST10072405

L/H Part No. ST10072466

Notes:

# Roller Shutter Door - Dry Freight

Off side & near side or left hand & right hand are established standing outside looking at the Shutter



General

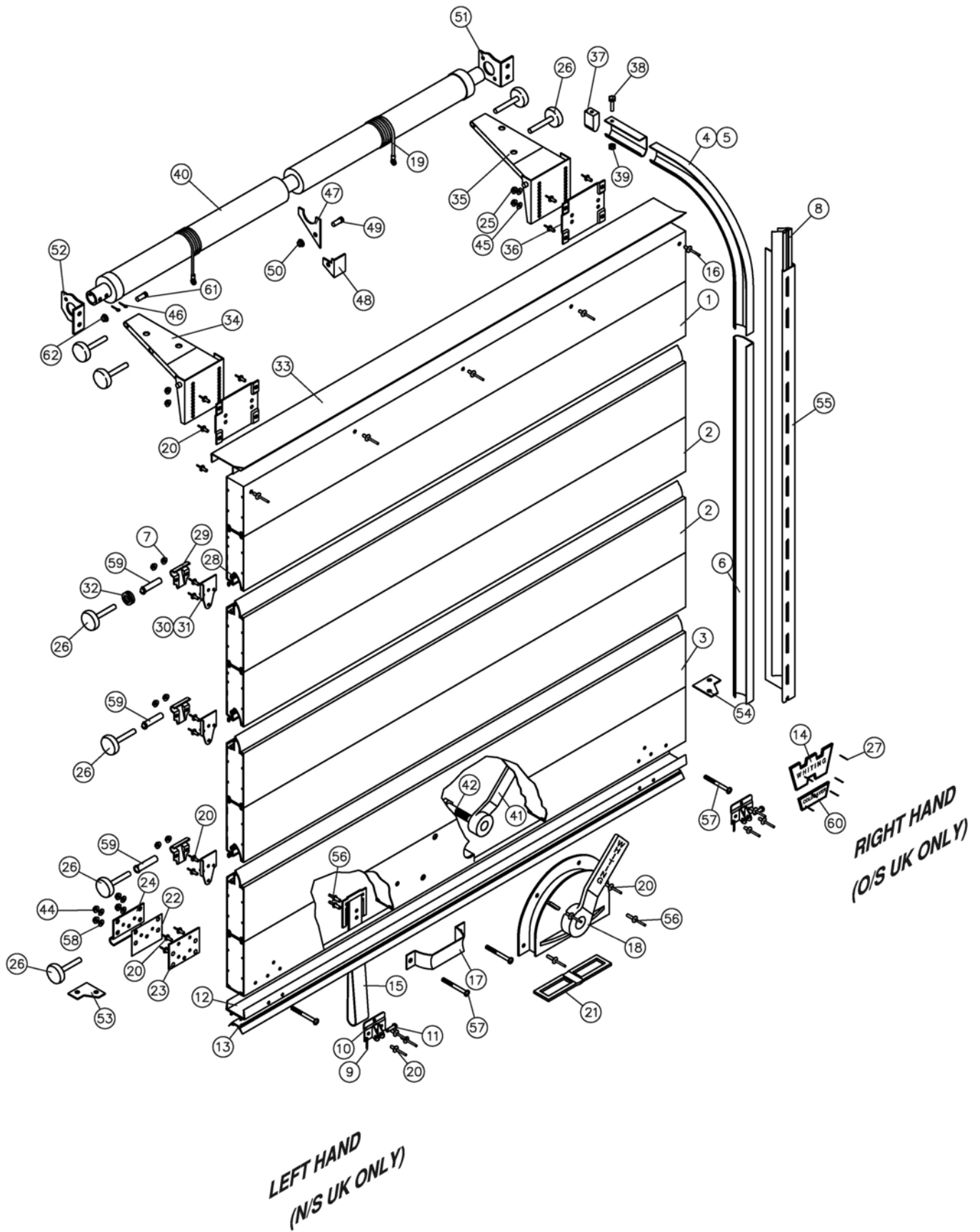
# Roller Shutter Door - Dry Freight

Item	Description	Part No.	Item	Description	Part No.
1	Top Panel	*	31	Roller Clamp E Coated	3011208-1-000
2	Intermediate Panel	*	32	Spacer Washer - Roller Clamp	301060000000
3	Bottom Panel	*	33	Top Seal	30126-W010000
4	Horizontal Track Off Side	3010241060418	34	Top Closure Side E Coated	3011726-00000
5	Horizontal Track Near Side	3010241060318	35	Top Closure Base E Coated	301126400000
6	Vertical Track Off Side	3011031-02000	36	Top Closure Nut	30110-1063-01
7	Vertical Track Near Side	3011031-02000	37	Top Closure Bolt	30110-1005-09
8	Side Seal	30116ECODF09	38	Track Stop Bumper	30183-0000000
10	U Bolt for Cable Anchor	30170-1300000	39	M6 Rubber Stop Bolt	30110-1010-03
11	Name Plate	3010000000010	40	M8 Whiz Nut	30110-1063-01
12	Bottom U Channel (70 Lock)	301012901000G	41	Balancer Assembly	*
13	Bottom Seal (70 Lock)	3011676-000UK	42	Penny Washer	30193-0000020
14	Mounting Angle 57mm x 63mm	30161-0000000	43	Split Pin	30110-1009-08
15	Pull Down Strap	30123-0000015	44	Kurl Pin	301330000000
16	Rivet	30110-1002-04	45	Corner Plate Near Side	301103600000
17	Grab Handle E Coated	3011715-00000	46	Corner Plate Off Side	301103700000
18	70 Type Lock Assembly E Coated	30170300000	47	77 Type Lock Assembly	30177-0000000
19	Cable	3011-1A000000	48	Lock Handle Keeper	3012766-00001
20	Latch Plate	3012804-00000	49	Balancer Mounting Bracket O/S	3012523-00000
21	Rivet	30110-1002-03	50	Balancer Mounting Bracket N/S	3012524-00000
22	Rivet	30110-1002-11	51	Balancer Mounting Bracket Centre	3012525-00000
23	Bottom Roller Bracket	3011370-0000	52	Balancer Mounting Bracket Torque	3012526-0020
24	Bottom Roller Cover	3011021-1-000	53	Male Half Hinge	30112-1-00000
25	Kep Nut	30110-1022-03	54	Female Centre Half Hinge	30114-1-00000
26	Track Roller Steel	3012996-00000	55	Female Half Hinge With Studs	30113-1-00000
27	Track Roller Nylon	3013228-00000	56	Horizontal Track Off Side	3010241060218
28	Rivet	30110-1002-10	57	Horizontal Track Near Side	3010241060118
29	Roller Hinge E Coated	3011207-1-030	58	Bottom Seal - Carrier Chamfered	301012902000G
30	Centre Hinge F Coated	30115-1-00000	59	Bottom Seal - Chamfered	30157351000

Notes: \*Top, Intermediate & Bottom panels vary according to door number, available plain or complete with hardware, please contact your local Scania branch with the serial number  
The serial number is located on the Whitting Logo

# Roller Shutter Door - Cold Saver

Off side & near side or left hand & right hand are established standing outside looking at the Shutter



General



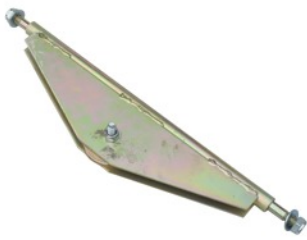
# Roller Shutter Door - Cold Saver

Item	Description	Part No.	Item	Description	Part No.
1	Top Panel	*	32	Space Washer for Roller Shaft	30106-000000
2	Intermediate Panel	*	33	Top Capping Seal	3010334000600
3	Bottom Panel	*	34	Top Panel Closure Bracket N/S	301000013375
4	Horizontal Track Off Side	3010241060418	35	Top Panel Closure Bracket O/S	301000013376
5	Horizontal Track Near Side	3010241060318	36	Mounting Bracket - Top Closure Arm	301192020000
6	Vertical Track	3011031-02000	37	Track Stop Bumper	30183-0000000
7	M6 Nyloc Nut	3011031-02000	38	M6 Bolt	30110-1010-05
8	Side Seal	30135150A7470	39	Keys Lock Nut M6	30110-1022-03
9	Cotter Pin	30110100907	40	Enclosed Balancer Assembly	*
10	Cable Anchor	3015803-00000	41	Handle - Inside Release	3012188-00000
11	Clevis Pin	30110100401	42	Bolt for item 41 16 x 152mm	30110-1010-40
12	Bottom Panel Capping	3010334000400	43	Self Tapping Screw	30110-1016000
13	Bottom Seal Dual Durometer	3013510-000UK	44	M8 Nyloc Nut	301920000SSM8
14	Name Plate	3010000000010	46	Split Cotter Pin	30110-1009-13
15	Pull Down Strap & E Coated Buckle	30123-0000015	47	Yoke - Centre Bracket	3012319-00000
16	Rivet	301850-000000	48	Centre Bracket	3012321-00000
17	Grab Handle	3011715-00000	49	Bolt for item 41 16 x 152mm	30110-1010-21
18	Lock Assembly	30175-10-0000	50	Whiz Nut	30110-1063-02
19	Cable 125"	301-1230-0000	51	Off Side Side Mounting Bracket	301152-000000
20	Rivet, Hemlock	30110100214	52	Near Side Side Mounting Bracket	301153-000000
21	Latch Plate	3012137-000SS	53	B Plan Corner Plate N/S	301104000000
22	Wear Plate Bottom Roller	3015600000030	54	B Plan Corner Plate O/S	301104000000
23	Bottom Roller Bracket	3015600000020	55	Mounting Angle	3011796-00000
24	Bottom Roller Clamp Plate	3015600000040	56	Rivet	30110-1002-19
25	M6 Plain Nut	3012220240000	57	Screw	3010230000000
26	Track Roller	301299610000	58	Washer	3011190000000
27	Pop Rivet	301299600000	59	Roller Sleeve	3010310000000
28	Seal - Inter Section	3011720-000UK	60	Coldsaver Name Plate	*
29	Roller Clamp	3011208-1-200			
30	Anti Lozenge Base O/S	301920001W290			
31	Anti Lozenge Base N/S	301920002W290			

Notes: \*Top, Intermediate & Bottom panels vary according to door number, available plain or complete with hardware, please contact your local Scania branch with the serial number  
The serial number is located on the Whitting Logo

# Door Locks & Retainers

Hand Brake Compensator



Part No.	Tube Lth	Rod Lth
ST10071534	375mm	450mm
ST10078401	435mm	500mm
ST10074347	600mm	680mm

Door Mechanism - Bushed



Part No.	ST10073193
Notes: 27mm Dia, Zinc Plates, Door pole part no. ST10077650	

Door Pole



Part No.	ST10077650
Notes: 27mm Dia, To suit ST10073193	

Door Retainer & Catch



Part No.	ST10073150
Notes: Size: L152 x W44mm Arm Length 97mm	

Spring Loaded Door Retainer



Part No.	ST10073151
Notes: With Mounting Bracket for right hand mounting only	

Door Hinge



Part No.	ST10073529
Notes: Mild Steel Bolt On	

Door Hinge



Part No.	ST10072902
Notes: Weld-on	

Door Hinge



Part No.	ST10078403
Notes:	

Tail Board Catch



Part No.	ST10077089
Notes: Catch Part No. ST10078404 Bolt on 22mm deep	

Tail Board Catch



Part No.	ST10073540
Notes: Catch Part No. ST10073567 Bolt on 140mm	

Door Bolt



3" Part No.	ST10078504
4" Part No.	ST10078505
Notes:	

Flat Star Strip Seal - Tin Plate



Part No.	Length	Slot Size	Break Strength
ST10078989	184mm	10x2mm	7.5kg

Notes: For use with hinged doors.

Unilock Security Strap - Thermo Plastic



Part No.	Colour	Length	Slot Size	Break Strength
ST10078990	Red	185mm	7.5x6mm	8kg
ST10078991	Yellow	185mm	7.5x6mm	8kg

Notes: For use with hinged doors, Roller shutter doors, Domestic & commercial fire doors.

Pull Through Seal - Thermo Plastic



Part No.	Length	Slot Size	Break Strength
ST10078992	220mm	4.5x2.5mm	8kg

Notes: For use on bags, sacks, latches & roll cages

# Ratchet Strap Assemblies

## Ratchet Strap Assemblies (Claw Hook Ends)



Part No.	Working Length	Fixed End Length	LC	BF
ST10077589	8m	0.5m	2000 daN	4000 daN
ST10077590	10m	0.5m	2000 daN	4000 daN
ST10073558	8m	1.5m	2000 daN	4000 daN
ST10071430	10m	1.5m	2000 daN	4000 daN

Notes: LC = Lashing Capacity / BF = Minimum Braking Force  
Not designed for lifting

## Ratchet Strap Assemblies (D Ring Ends)



Part No.	Working Length	Fixed End Length	LC	BF
ST10076608	8m	0.5m	2000 daN	4000 daN
ST10078707	10m	0.5m	2000 daN	4000 daN

Notes: LC = Lashing Capacity / BF = Minimum Braking Force  
Not designed for lifting

### Lashing Strap (Adjustable end & D ring)



Part No.	Length
ST10078714	7.5m (25ft)
ST10078715	9.5m (31ft)

Notes:

### Lashing Strap (Adjustable end & Claw Hook)



Part No.	Length
ST10079382	6.5m (23ft)
ST10079383	8.5m (29ft)

Notes:

### Internal Load Lashing Strap



Part No.	Length
ST10073173	4m

Notes: 50mm wide, comes with 75mm security ring

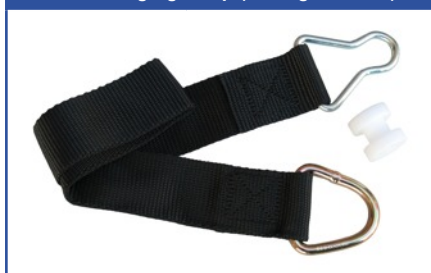
### Curtain Strap



Part No.	Type
ST10073069	Overcentre Buckle
ST10074855	Spring Loaded Buckle

Notes:

### Roof Hanging Strap (D Ring & Roller)



Part No.	Length
ST10078709	

Notes:

### Cargo Strap (Closed Rave Hook & Roller)



Part No.	Length
ST10078712	

Notes:

# Ratchet Strap Assemblies

Internal Load Strap



Part No.	Length
ST10078710	4m

Notes:

Internal Load Strap (Claw Hooks)



Part No.	Length
ST10078711	4.3m

Notes: Rated 0.3 Ton

Bottom Strap (Closed Raven Hook)



Part No.	Length
ST10071113	762mm

Notes: 47mm Wide

Locking Curtain Strap



Part No.	Type
ST10073313	Grey

Notes: 43mm Wide

Locking Curtain Strap



Part No.	Type
ST10074855	Grey

Notes: 43mm Wide

Internal Load Strap (Claw Hooks)



Part No.	Length
ST10078713	4m

Notes: 50mm Wide

Over Centre Buckle (Silver Finish)



Part No.	ST10073300
Notes:	

Notes:

General

# Curtain Ratchets

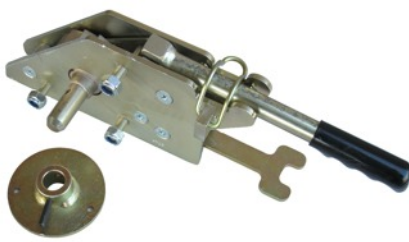
Curtain Ratchet - (ST10078461 Shown)



Part No.	Description
ST10078461	LH Front & RH Rear
ST10078462	RH Front & LH Rear

Notes: 19mm Dia Spindle, come with output plate  
L390mm x H125mm x D38mm

Curtain Ratchet - (ST10078459 Shown)



Part No.	Length
ST10078459	LH Front & RH Rear
ST10078460	RH Front & LH Rear

Notes: 19mm Dia Spindle, come with output plate  
L390mm x H95mm x D37mm

Curtain Ratchet - (ST10078457 Shown)



Part No.	Length
ST10078457	LH Front & RH Rear
ST10078458	RH Front & LH Rear

Notes: 30mm Dia Slotted Spindle,  
L340mm x H130mm x D40mm

Curtain Ratchet - (ST10078463 Shown)



Part No.	Length
ST10078463	LH Front & RH Rear
ST10078464	RH Front & LH Rear

Notes: 25mm Dia Slotted Spindle,  
L285mm x H50mm x D106mm

Curtain Ratchet - (ST10078465 Shown)



Part No.	Length
ST10078465	LH Front & RH Rear
ST10078466	RH Front & LH Rear

Notes: 25mm Dia Slotted Spindle,  
L285mm x H50mm x D106mm

Curtain Ratchet - (ST10078469 Shown)



Part No.	Length
ST10078469	LH Front & RH Rear
ST10078470	RH Front & LH Rear

Notes: Half Moon Spindle,  
L285mm x H50mm x D106mm

Curtain Ratchet - (ST10078467 Shown)



Part No.	Length
ST10078467	LH Front & RH Rear
ST10078468	RH Front & LH Rear

Notes: 25mm Dia Slotted Spindle,  
L285mm x H50mm x D106mm

# Fire Extinguishers & Boxes

## Fire Extinguishers

Part No.	ST10072691	ST10072689	ST10076925	ST10072069	ST10072340	ST10072029
Type	Powder	Powder	Powder	Powder	Powder	Powder
Size	0.6kg	1kg	2kg	3kg	6kg	9kg
Height	303mm	285mm	315mm	440mm	505mm	600mm
Depth	98mm	90mm	145mm	280mm	285mm	305mm

Notes: Fully approved to BS EN3, 1996 and CE marked  
High quality paint finish & unique gauge testing system



### Scania Fire Extinguisher & Box Kit



Model	Front Loading	
Part No.	ST10074377	ST10072070
Width	290mm	290mm
Depth	260mm	260mm
Height	690mm	690mm
Extinguisher	6kg	9kg

Notes: All plastic construction, non-corrosive material, light weight, internal strap, fully certified  
Complete with fire extinguisher

### Fire Extinguisher Box



Model	Front Loading
Part No.	ST10078814
Width	290mm
Depth	260mm
Height	690mm
Extinguisher	6kg & 9kg

Notes: All plastic construction, non-corrosive material, light weight, internal strap, fully certified

### Fire Extinguisher Box



Model	Top Loading	
Part No.	ST10078816	ST10078817
Width	280mm	280mm
Depth	220mm	240mm
Height	510mm	650mm
Extinguisher	6kg	6kg

Notes: Lightweight polyethylene construction, good chemical resistance, with waterproof seal, ideal for general fitment and limited space, 4 mounting configurations, quick release lid, fully certified, comes with fixing kit

### Fire Extinguisher Box



Model	Top Loading
Part No.	ST10078815
Width	250mm
Depth	290mm
Height	735mm
Extinguisher	9kg

Notes: Moulded from heavy duty polyethylene, Inspection window, moulded in fixing points, ideally suited for petrochemical applications, fitted with water resistant seal, fully certified

### Fire Extinguisher Box



Model	Front Loading
Part No.	ST10076745
Width	320mm
Depth	255mm
Height	700mm
Extinguisher	6kg

Notes: Rubber seal, polycarbonate windows, left or right hinge mounting, buckle web strap, plastic toggles, lynch pin and hinge pin, FE label supplied loose

### Fire Extinguisher Box



Model	Top Loading
Part No.	ST10073693
Width	250mm
Depth	250mm
Height	640mm
Extinguisher	6kg

Notes: suites any extinguishers up to 170mm dia, internal tension strap, moulded in fixing points, double skinned lid with waterproof seal, plastic toggles, lynch pin and hinge pin, textured surface finish, FE label supplied loose

# Fire Extinguishers Boxes & Spill Kits

## Fire Extinguisher Box



Model	Top Loading	
Part No.	ST10072854	ST10077095
Width	275mm	300mm
Depth	260mm	300mm
Height	650mm	750mm
Extinguisher	6kg	9kg & 12kg

Notes: Strong durable design & lightweight, internal tension strap, plastic toggles, lynch pin and hinge pin, FE label supplied loose

## Spill Kit Box



Model	Top Loading
Part No.	ST10074408
Width	300mm
Depth	435mm
Height	660mm
Earth Strap	Yes

Notes:

## Universal Oil Spill Kit



Part No.	ST10077865
Size	50 Litre

Notes:

## Spill Kits - Absorbs up to 30 Litres

Description	Type	Part No.
Spill Kit Box, 20 Pads 40 x 52cm, 3 Socks 125 x 7.5cm, Goggles, Gloves, Disposable Bag & Tie	Oil	ST10078796
	Hazardous Chemicals	ST10078806
Spill Kit Box, 20 Pads 40 x 52cm, 3 Socks 125 x 7.5cm, Goggles, Gloves, Disposable Bag & Tie, Dammit Slab & Mat	Oil	ST10078797
	Hazardous Chemicals	ST10078807
Refill Kit without Dammit Slab & Mat	Oil	ST10078799
	Hazardous Chemicals	ST10078808
Refill Kit with Dammit Slab & Mat	Oil	ST10078800
	Hazardous Chemicals	ST10078809
Spill Kit Box	Oil & Hazardous Chemicals	ST10078798

Notes: Box sizes: W310mm x L675mm x D280mm



## Spill Kits - Absorbs up to 30 Litres

Description	Type	Part No.
Spill Kit Box, 20 Pads 40 x 52cm, 3 Socks 125 x 7.5cm, Goggles, Gloves, Disposable Bag & Tie, 2 Cushions 42 x 37 x 10cm	Oil	ST10078801
	Hazardous Chemicals	ST10078818
Spill Kit Box, 20 Pads 40 x 52cm, 3 Socks 125 x 7.5cm, Goggles, Gloves, Disposable Bag & Tie, 2 Cushions 42 x 37 x 10cm, Dammit Slab & Mat	Oil	ST10078802
	Hazardous Chemicals	ST10078819
Refill Kit without Dammit Slab & Mat	Oil	ST10078804
	Hazardous Chemicals	ST10078810
Refill Kit with Dammit Slab & Mat	Oil	ST10078805
	Hazardous Chemicals	ST10078811
Spill Kit Box	Oil & Hazardous Chemicals	ST10078803

Notes: Box sizes: W450mm x L350mm x D400mm



General

# Tool Boxes & Document Holders

Tool Boxes				
Part No.	Width	Height	Depth	Fixing Kit
ST10071915	450mm	380mm	400mm	Bolt On
ST10076558	520mm	360mm	360mm	Bolt On
ST10077045	580mm	400mm	450mm	Bolt On
ST10073009	620mm	360mm	610mm	KIT26/27
ST10078820	620mm	360mm	400mm	Bolt On
ST10072303	650mm	500mm	480mm	KIT22/23
ST10073804	800mm	500mm	480mm	KIT20/21
ST10076842	800mm	500mm	360mm	Bolt On
ST10072625	1000mm	500mm	480mm	KIT25
ST10079066	1200mm	500mm	480mm	KIT29

Notes: All tool boxes are supplied with fitting kits except ST10079066



Tool Boxes - Aluminium Chequer Plate			
Part No.	Width	Height	Depth
ST10078821	450mm	480mm	490mm
ST10078822	600mm	480mm	490mm
ST10078823	800mm	480mm	490mm
ST10078824	1000mm	480mm	490mm
ST10078825	1200mm	480mm	490mm

Notes:



Mid-Pod Storage Boxes		
Part No.	ST10078812	ST10078813
Width	410mm	410mm
Depth	500mm	500mm
Height	360mm	360mm
Mounting Arms	595mm	680mm

Notes: Equally suitable for tractors or trailers  
Supplied with mounting arms, fits in between mudguards for the storage of ropes, straps, gloves etc



Glove Park & Bracket	
Part No.	ST10078826
Notes: Secures gloves open ready to re-use without the need to touch the outer surface, keeping hands clean of dangerous products	



Document Holder	
Part No.	ST10570068
Dia	90mm
Height	320mm
Mounting Holes	270mm
Notes:	



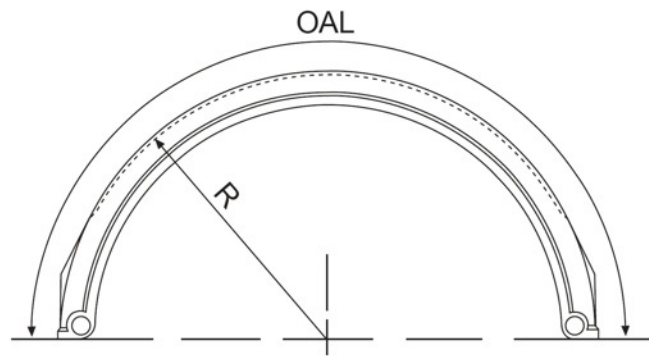
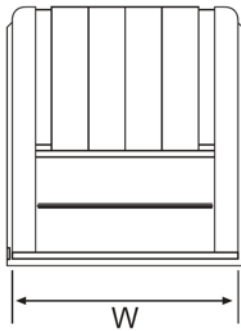
Document Holder	
Part No.	ST10073274
Dia	125mm
Height	345mm
Mounting Holes	180mm
Notes:	





# Mudwing Equipment

## Boydell & Jacks Plastic Mudwings (Single Wheel)

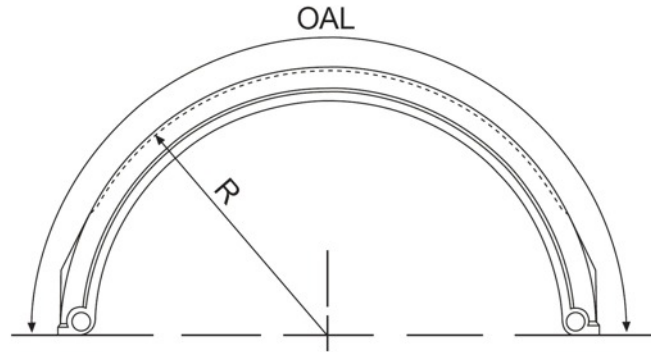
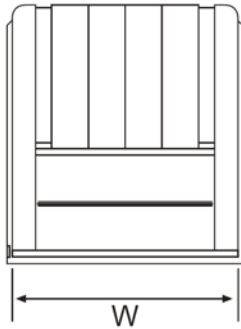


Part No.	Reference	Width (W)	Radius (R)	OAL	Tyre Recommendation
ST10078716	IT180	180mm (7")	380mm (15")	1250mm (49")	5.60R12, 155/70R12, 155R13, 155/70R13, 165/70R13, 165R13
ST10073598	IT200	200mm (8")	410mm (16")	1370mm (54")	175 R 13, 175/70 R 13, 185/70 R 13, 195/70 R 13, 6.70 R 13, 165 R 14, 175 R 14, 185 R 14, 195 R 14, 165/75 R 14, 175/75 R 14, 185/75 R 14, 195/75 R 14, 6.50 x 14, 7.00 x 14, 6.00 x 15, 6.00 x 16
ST10073599	IT250	250mm (10")	470mm (18 1/2")	1600mm (63")	205 R 14, 215 R 14, 205/75 R 14, 215/75 R 14, 6.70 R 14, 6.70 15, 7.00 R 15, 7.50 R 15, 195/70 R 15, 205/80 R 15, 225/70 R 15, 225/75 R 15, 235/75 R 15, 185 R 15, 195 R 15, 215 R 15, 185/75 R 16, 195/75 R 16, 205/75 R 16, 215/75 R 16, 225/70 R 16, 225/75 R 16, 6 x 16, 6.50 x 16, 7 x 16, 7.5 x 16, 8.25 R 16, 195 R 16, 205 R 16, 215 R 16, 7 R 17.5, 8 R 17.5, 8.5 R 17.5, 205/75 R 17.5, 215/75 R 17.5, 225/75 R 17.5, 235/75 R 17.5, 245/70 R 17.5
ST10073602	IT320S	320mm (12 1/2")	545mm (21 1/2")	1632mm (64 1/4")	8.25 R 15, 10.00 R 15, 255/75 R 15, 265/70 R 15, 9.00 R 16, 11.00 R 16, 245/75 R 17.5, 265/70 R 17.5, 8.25 R 17, 9.5 R 17.5, 10 R 17.5, 245/70 R 19.5, 265/70 R 19.5, 285/70 R 19.5, 8 R 19.5, 9 R 19.5, 9.50 R 19.5, 6.50 R 20, 7.00 R 20, 7.50 R 20, 275/70 R 22.5, 8 R 22.5
ST10073603	IT420S	420mm (16 1/2")	600mm (23 1/2")	1880mm (74")	385/60 R 19.5, 385/65 R 19.5, 305/70 R 19.5, 385/70 R 19.5, 8.25 R 20, 9.00 R 20, 10.5 R 20, 385/55 R 22.5, 285/60 R 22.5, 295/60 R 22.5, 305/60 R 22.5, 315/60 R 22.5, 285/70 R 22.5, 295/70 R 22.5, 305/70 R 22.5, 315/70 R 22.5, 275/80 R 22.5
ST10072566	IT420X IT420XI	420mm (16 1/2")	635mm (25")	1995mm (78 1/2")	10 R 20, 11 R 20, 12.5 R 20, 14/80 R 20, 375/75 R 20, 365/80 R20, 11 R 22.5, 15 R 22.5, 12/80 R 22.5, 365/80 R 22.5, 385/65 R 22.5, 375/70 R 22.5, 14.5 R 24, 285/75 R 24.5, 305/75 R 24, 11 R 24.5
ST10077883	*IT420XIADJ	420mm (16 1/2")	635mm (25")	1995mm (78 1/2")	10 R 20, 11 R 20, 12.5 R 20, 14/80 R 20, 375/75 R 20, 365/80 R20, 11 R 22.5, 15 R 22.5, 12/80 R 22.5, 365/80 R 22.5, 385/65 R 22.5, 375/70 R 22.5, 14.5 R 24, 285/75 R 24.5, 305/75 R 24, 11 R 24.5
ST10072559	IT450	450mm (17 3/4")	650mm (25 1/2")	2040mm (80 1/4")	18 R 19.5, 425/55 R 19.5, 425/65 R 19.5, 435/50 R 19.5, 445/65 R 19.5, 12 R 20, 13 R 20, 14.50 R 20, 14.75/80 R 20, 405/70 R 20, 12 R 22.5, 315/80 R 22.5, 405/70 R 24
ST10079253	*IT450ADJ	450mm (17 3/4")	650mm (25 1/2")	2040mm (80 1/4")	18 R 19.5, 425/55 R 19.5, 425/65 R 19.5, 435/50 R 19.5, 445/65 R 19.5, 12 R 20, 13 R 20, 14.50 R 20, 14.75/80 R 20, 405/70 R 20, 12 R 22.5, 315/80 R 22.5, 405/70 R 24
ST10073604	IT490	490mm (19 1/4")	580mm (22 3/4")	1860mm (73")	385/55 R 19.5, 445/45 R 19.5, 445/55 R 19.5, 455/45 R 22.5
ST10073605	IT500	500mm (19 3/4")	670mm (26 1/2")	2130mm (84")	14 R 20, 15.5/80 R 20, 13 R 22.5, 16.5 R 22.5, 18 R 22.5, 425/65 R 22.5, 445/55 R 22.5, 445/65 R 22.5, 11 R 24, 445/70 R 24

Notes: \*Adjustable mudwing must be used with adjustable IT fixing kits

# Mudwing Equipment

## Boydell & Jacks Plastic Mudwings (Twin Wheel)



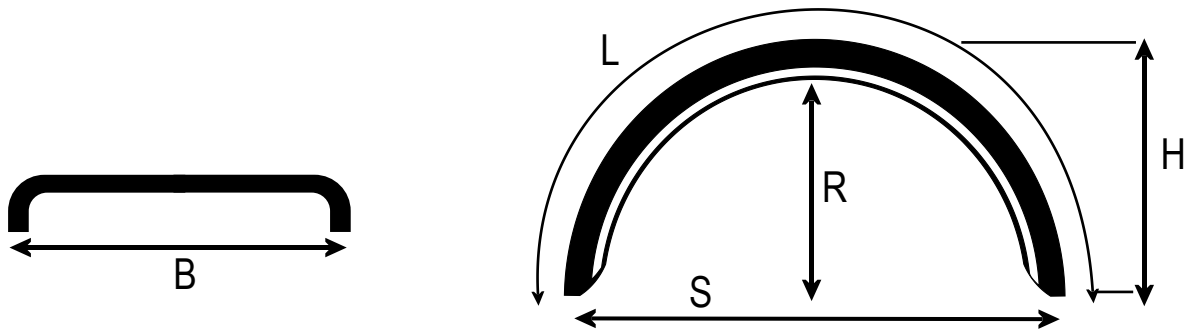
Part No.	Part No.	Width W1	Width W2	Radius (R)	Tyre Recommendation
ST10078717	IT420T	420mm (16 1/2")	445mm (17 1/2")	1450mm (57")	6.50R 16, 7.50R 16, 175R 16, 185R 15, 185R 16, 195/70R 15, 195R 16, 205R 14
ST10078718	IT425	425mm (16 3/4")	410mm (16")	1290mm (50 3/4")	165R 14, 175R 14, 185R 14, 195R 14
ST10078719	IT480	480mm (19")	480mm (19")	1510mm (59 1/2")	700 x 16, 7.25 x 16, 8R 17.5, 8.25 x 17, 195/70R 16, 205/65R 17.5, 205/75R 16, 205/80R 15, 205/80R 17.5, 225/65R 16, 225/70R 15
ST10078720	IT500T	500mm (19 3/4")	500mm (19 3/4")	1653mm (65")	7.00 x 12, 8.25R 15, 8.5R 17.5, 205/75R 17.5, 205/80R 17.5, 225/75R16, 225/70R 16
ST10078721	IT530	530mm (21")	580mm (22 3/4")	1860mm (73")	7.50R 20, 8R 22.5, 8.25R 20, 9R 22.5, 9.5R 17.5, 215/75R 22.5, 225/70R 22.5
ST10078722	IT530LP	530mm (21")	510mm (20")	1600mm (63")	8.25R 16, 9.00R 16, 9R 19.5, 10R 17.5, 205/70R 17.5, 215/75R 17.5, 225/70R 22.5, 225/75R 17.5, 235/70R 17.5, 235/75R 17.5, 235/75R 19.5,
ST10078723	IT570	570mm (22 1/2")	600mm (23 1/2")	1930mm (76")	9.00 x 20, 10R 22.5, 225/70R 22.5, 255/70R 22.5
ST10078724	IT610	610mm (24")	535mm (21")	1675mm (66")	10R 15, 245/75R 17.5, 245/70R 17.5, 245/70R 19.5, 255/70R 19.5, 255/75R 19.5, 265/70R 19.5, 275/75R 17.5, 285/70R 19.5
ST10078725	IT615	615mm (24 1/4")	635mm (25)	1995mm (78 1/2")	10.00 x 20, 11R22.5, 275/80R 22.5
ST10078726	*IT615ADJ	615mm (24 1/4")	635mm (25)	1995mm (78 1/2")	10.00 x 20, 11R22.5, 275/80R 22.5
ST10078727	IT650	650mm (25 1/2")	650mm (25 1/2")	2040mm (80 1/4")	11.00 x 20, 11R20, 12R 22.5, 13R 22.5, 285/75R 22.5, 295/75R 22.5
ST10078728	IT650LP	650mm (25 1/2")	600mm (23 1/2")	1905mm (75")	11/70R 22.5, 275/70R 22.5, 285/60R 22.5, 295/60R 22.5, 295/65R 22.5, 295/70R 22.5, 295/75R 17.5, 305/60R 22.5, 305/70R 19.5
ST10078729	IT670	670mm (26 1/2")	685mm (27")	2160mm (85")	12.00R 20, 295/80R 22.5, 305/80R 22.5, 305/70R 22.5
ST10078730	*IT670ADJ	670mm (26 1/2")	685mm (27")	2160mm (85")	12.00R 20, 295/80R 22.5, 305/80R 22.5, 305/70R 22.5
ST10078731	IT690	700mm (27 1/2")	620mm (24 1/2")	1900mm (74 3/4")	275/70R 22.5, 295/80R 22.5, 305/60R 22.5
ST10078732	*IT695ADJ	695mm (27 1/2")	635mm (25")	2100mm (82 3/4")	12.00R 24, 295/80R 22.5
ST10078733	IT710	710mm (28)	650mm (25 1/2")	1970mm (77 1/2")	3 15/80R 22.5, 13/80R 20, 315/70R 22.5

Notes: \*Adjustable mudwing must be used with adjustable IT fixing kits

General

# Mudwing Equipment

## Parlok Plastic Mudwings

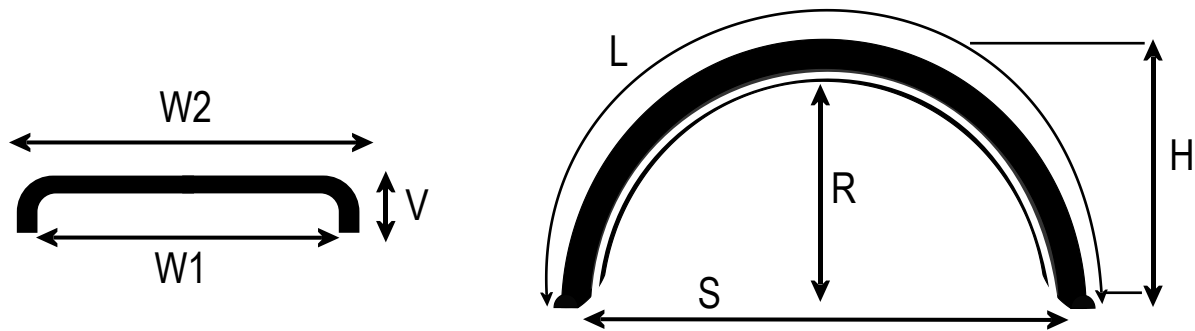


Part No.	Reference	Width W1	Width W2	Radius (R)	Length (L)	Span (S)	Height (H)	Tyre Recommendation
ST10076556	PL24042	240 (9 1/2")	1300 (51")	420 (16 1/2")	840 (33")	410 (16")	Single	6.70x13, 175R13, 185R13, 6.50x14, 7.00x14, 185R14, 195R14, 205R14, 215R14, 17R15, 195R15, 165R16, 175/75R16, 185R16, 17R16, 195/75R16, 215R16.
ST10072392	PL40563	405 (16")	1900 (74 3/4")	635 (25")	1270 (50")	595 (23 1/2")	Single	15R19.5, 15R22.5, 365/80R20, 385/65R22.5, 11.00x20, 11R22.5, 12R22.5, 13R22.5, 13/70R22.5, 13/80R22.5, 13.00R20, 14. 75/80R20.
ST10073611	PL43065	430 (17")	2175 (85 1/2")	650 (25 1/2")	1300 (51")	720 (28 1/2")	Single	16.5R19.5, 16.5R22.5, 425/65R22.5, 385/65R22.5, 13R22.5, 13/70R22.5, 13/80R20, 14/80R20.
ST10078734	PL45042	450 (18")	1400 (55")	420 (16 1/2")	840 (33")	410 (16")	Twin	175R13, 185R13, 6.50x14, 6.70x14, 7.00x14, 7.50x14, 165R14, 6.00x16, 165R16, 175R16, 185R16, 205/80R15.
ST10077530	PL50050	500 (20")	1700 (67")	500 (20")	1000 (39 1/2")	510 (20")	Twin	235R14, 225/75R16, 9R16, 235R16, 215/75R17.5, 225/75R17.5, 9R17.5, 7.50R20.
ST10078735	PL55055	550 (22")	1700 (67")	550 (22")	1100 (43 1/4")	530 (21")	Twin	10R15, 255/75R15, 245/70R17.5, 9.5R17.5, 9R19.5, 245/75R19.5, 245/70R19.5, 8.25x20, 8R22.5, 9R22.5, 255/70R22.5, 10/70R22.5.
ST10077613	PL61064	610 (24")	1930 (76")	640 (25")	1270 (50")	610 (24")	Twin	11R22.5, 10.00x20, 11.00x20, 10R22.5, D20, 275/80R22.5, 11/70R22.5, 9.00R20, 275/80R22.5, 11/70R22.5, 9.00R20, 275/70R22.5.
ST10076770	PL63058	630 (25")	1850 (73")	580 (23")	1160 (45 1/2")	595 (23 1/2)	Twin	285/70R19.5, 295/70R19.5, 275/70R22.5, 275/80R22.5, 295/70R22.5, 11/70R22.5, 1 0.00R15.
ST10074770	PL65062	650 (25 1/2")	1900 (74 3/4")	620 (25")	1260 (49 1/2")	590 (23")	Twin	E20, 305/70R19.5, 12.00x20, 12/70R22.5, 295/80R22.5, 305/70R22.5, 275/70R22.5, 295/75R22.5, 285/80R22.5.
ST10071817	PL65063	650 (25 1/2")	2100 (82 3/4")	630 (25")	1260 (49 1/2")	730 (29")	Twin	E20, 12R22.5, 295/80R22.5, 305/75R24.5, 295/75R22.5, 285/80R22.5.
ST10076801	PL67067	670 (26 1/2")	2090 (82 1/4")	670 (26 1/2")	1360 (53 1/2")	660 (26")	Twin	12.00x20, 12R22.5, 305/75R24.5, 315/75R24.5.
ST10073402	PL68063	680 (27")	2100 (82 1/2")	630 (25")	1260 (49 1/2")	730 (29")	Twin	12/70R22.5, 12.00x20, 12R22.5, 13/80R20, 13R22.5, 315/70R22.5, 315/80R22.5, 315/75R24.5, 12/80R22.5.

Notes:

# Mudwing Equipment

## Jonesco Plastic Mudwings

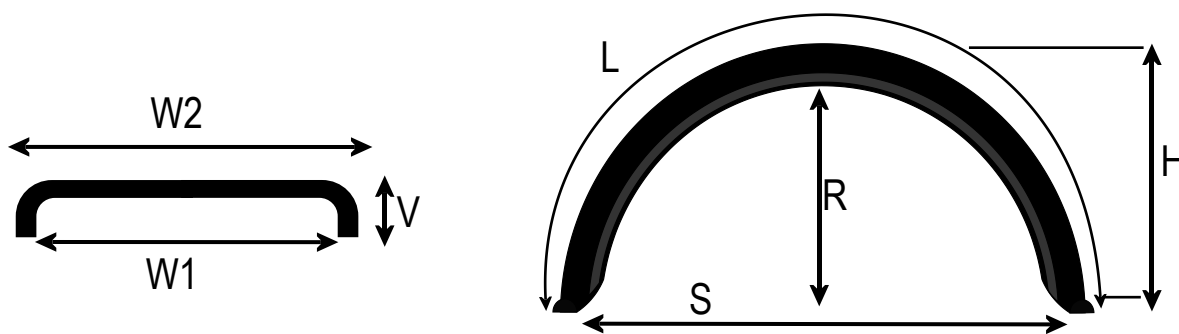


Part No.	Ref	Width W1	Width W2	Radius (R)	Length (L)	Span (S)	Height (H)	Lip (V)	Tyre Recommendation
ST10078738	J1	195 (7 3/4")	200 (8")	410 (16")	1370 (54")	820 (32")	450 (18")	45	7.00R12, 6.50R14, 205R14, 700R14, 6.00R15
ST10078741	J06C	255 (10")	270 (10 1/2")	470 (18 1/2")	1600 (63")	950 (37 1/2")	530 (21")	65	7.5R15, 195R16, 7.5R16, 250R16, 205/80R16, 215R16
ST10078739	J09	270 (10 1/2")	290 (11 1/2")	410 (16")	1280 (50")	815 (32")	410 (16")	70	225/70R15, 185R15, 215R15, 195R15
ST10072343	J12	285 (11 1/4")	300 (12")	550 (21 1/2")	1730 (68")	1110 (43 1/2")	550 (21 1/2")	90	7.5R15, 10R15, 7.00-16C, 7.5R16, 245-16C, 8R17.5, 9.5R17.5, 8R19.5, 9R19.5, 9.5R19.5, 266/70R19.5, 285/70R19.5, 6.5-20C, 7.5R20, 8R22.5, 275/70R22.5
ST10078740	J19A	380 (15")	400 (15 1/2")	410 (16")	1370 (54")	820 (32")	450 (18")	75	6.4R13, 650R14, 165R14, 700R14, 670R14, 175R14
ST10078742	J22A	405 (16")	425 (16 1/2")	440 (17 1/2")	1430 (57")	880 (34 1/2")	480 (19")	70	750R14, 185R15, 175R16, 175/75R16, 185/75R16, 6.7R15, 185R14
ST10077213	J24A	405 (16")	425 (16 1/2")	580 (23")	1930 (76")	1160 (46")	635 (24 1/2")	85	15R19.5, 14/80R20, F20 PILOTE, 15R22.5
ST10071141	J24B	405 (16")	425 (16 1/2")	640 (25")	1930 (76")	1270 (50")	610 (24")	85	11R20, 15R22.5, 365/80R20, 375/75R20, 385/65R22.5
ST10071223	J24C	410 (16")	430 (17")	645 (25 1/2")	2080 (82")	1300 (51")	670 (26 1/2")	85	15R22.5, 385/65R22.5
ST10078736	J27	455 (18")	475 (18 1/2")	430 (17")	1430 (57")	860 (34")	480 (19")	70	185R15, 175R16, 175/75R15, 205/80R15, 6.7R15, 185/75R16
ST10078737	J28	455 (18")	475 (18 1/2")	480 (19")	1650 (65")	960 (38")	560 (22")	70	7.50R16, 8.5R17.5
ST10076883	J29	455 (18")	475 (18 1/2")	510 (20")	1650 (65")	1020 (40")	560 (22")	70	6.5R20, 7.00R20
ST10073030	J30C	455 (18")	475 (18 1/2")	650 (25 1/2")	2080 (82")	1300 (51")	685 (27")	90	405/70R20, 15R20, 16/70R20, 16.5R22.5, 425/65R22.5
ST10072386	J31	440 (17 1/2")	460 (18")	640 (25")	1900 (75")	1280 (50")	580 (23")	90	385/65R22.5, 425/65R22.5, 15R22.5, 365/80R20, 375/70R20, 11R20
ST10074577	J33	485 (19")	505 (19 1/2")	510 (20")	1650 (65")	1020 (40")	560 (22")	70	8.25R15, 8.25R16, 7.50R16
ST10078743	J34	485 (19")	505 (19 1/2")	530 (21")	1790 (70")	1060 (42")	585 (23")	85	8.25R17, 225/70R22.5
ST10078744	J35	485 (19")	505 (19 1/2")	580 (23")	1790 (70")	1160 (46")	560 (22")	85	8.25R20, 7.5R20, 8.0R22.5, 9.0R22.5
ST10078745	J38C	510 (20")	530 (21")	650 (25 1/2")	2080 (82")	1300 (51")	685 (27")	95	18R19.5, 18R22.5, 445/65R19.5
ST10078746	J39	530 (21")	550 (21 1/2")	615 (24")	1930 (76")	1230 (48")	610 (24")	80	9.0R16, 9.0R20, 10.00R22.5
ST10072390	J39B	530 (21")	550 (21 1/2")	510 (20")	1680 (66")	1020 (40")	545 (21 1/2")	80	9.5R17.5, 10R17, 9.0R19.5, 245/70R19.5, 235/70R17.5
ST10078049	J39C	530 (21")	550 (21 1/2")	435 (17")	1350 (53")	860 (34")	430 (17")	80	9.0R16, 9.0R20, 10.00R22.5
ST10078747	J41	560 (22")	580 (23")	640 (25")	1930 (76")	1270 (50")	585 (23")	95	10.00R20, 10R22.5
ST10078748	J42	580 (23")	600 (23 1/2")	640 (25")	1930 (76")	1285 (50 1/2")	610 (24")	95	10.00R20, 11R22.5, D20
ST10071142	J43A	610 (24")	630 (24 1/2")	640 (25")	1930 (76")	1270 (50")	610 (24")	100	10.00R20, 11R22.5
ST10071176	J43B	610 (24")	630 (24 1/2")	550 (21 1/2")	1830 (72")	1100 (43")	585 (23")	85	265/70R19.5, 10.5R18, 275/80R22.5, 285/70R19.5, 265/70R19.5
ST10073223	J44	610 (24")	630 (24 1/2")	660 (26")	2090 (82")	1320 (52")	660 (26")	85	10.00R20, 11.00R22.5
ST10071143	J45A	650 (25 1/2")	670 (26 1/2")	650 (25 1/2")	2090 (82")	1300 (51")	660 (26")	95	10.00R20, 12.00R22, 12/80R22.5, C22.5 PILOTE
ST10071144	J45B	640 (25")	660 (26")	635 (24 1/2")	1900 (75")	1270 (50")	560 (22")	95	295/80R22.5, 305/70R19.5, 275/80R22.5, 12/80R20, 12/70R22.5
ST10071177	J47	670 (26 1/2")	690 (27")	690 (27")	2090 (82")	1360 (54")	660 (26")	95	12.00R20, 11.00R24, 315/80R22.5, 12.0R22
ST10073333	J47B	670 (26 1/2")	690 (27")	535 (21")	1700 (67")	1070 (42")	540 (21")	90	305/60R22.5, 10.5R20, 305/70R19.5, 275/70R22.5, 11/70R22.5
ST10071466	J48	710 (28")	730 (28 1/2")	650 (25 1/2")	2030 (80")	1300 (51")	650 (25 1/2")	95	13R22.5, 12.5R20, 14.5R20, 295/80R22.5, 315/75R22.5, 305/70R22.5

Notes:

# Mudwing Equipment

## Jonesco Higuard Silver Mudwings



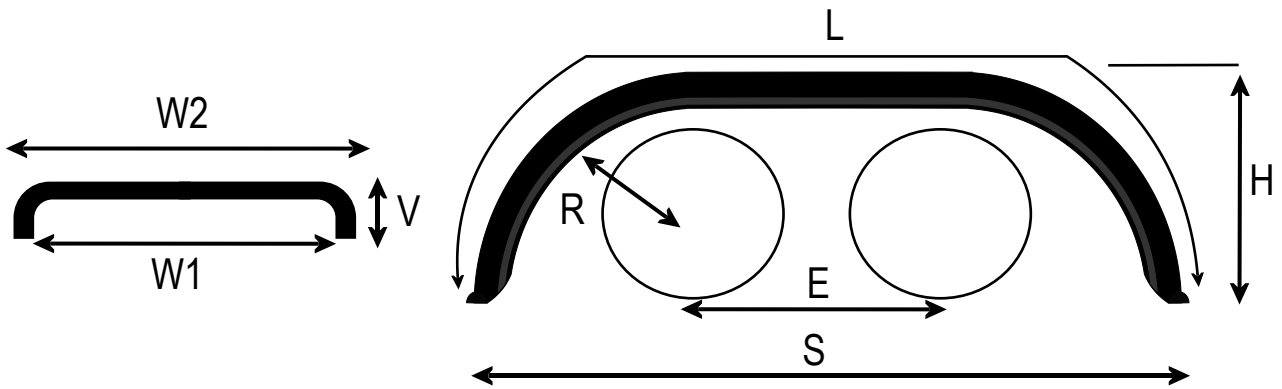
Part No.	Ref	Width W1	Width W2	Radius (R)	Length (L)	Span (S)	Height (H)	Lip (V)	Tyre Recommendation
ST10078754	VG09	280 (11")	290 (11 1/2")	410 (16")	1280 (50 1/4")	815 (31 3/4")	410 (16")	50	185/75R14, 195/70R15, 205/80R15
ST10078755	VG22A	420 (16 1/2")	430 (17")	440 (17 1/2")	1380 (55")	880	440 (17 1/2")	65	175R14, 185R14, 185R15
ST10074935	HL26A	420 (16 1/2")	430 (17")	635 (25")	1900 (75")	1270 (50")	585 (23")	70	11.00R20, 15.00R22.5, 365/18R20, 375/75R20, 385/65R22.5
ST10072728	HL26AS	420 (16 1/2")	430 (17")	635 (25")	1900 (75")	1270 (50")	585 (23")		11.00R20, 15.00R22.5, 365/18R20, 375/75R20, 385/65R22.5
ST10078756	HL26B	420 (16 1/2")	430 (17")	635 (25")	1990 (78")	1270 (50")	630 (24 1/2")	70	15.00R22.5, 385/65R22.5
ST10078757	HL30C	450 (18")	460 (18 1/4")	640 (25")	2050 (81")	1280 (50 1/4")	660 (26")	70	405/70R20, 15.00R20, 16/70R20, 16.5R22.5, 425/65R22.5
ST10078758	HL31	450 (18")	460 (18 1/4")	640 (25")	1930 (76")	1280 (50 1/4")	600 (23 1/2")	70	385/65R22.5, 425/65R22.5, 15.00R22.5, 365/80R22.5, 375/70R20, 11.00R20
ST10078759	HL31A	450 (18")	460 (18 1/4")	590 (23 1/2")	1855 (73")	1180 (47)	590 (23 1/2")	70	425/55R19.5, 385/65R19.5
ST10078760	HL33	485 (19")	495 (19 1/2")	510 (20")	1600 (63")	1020 (40")	510 (20")	65	8.25R15, 8.25R16, 7.70R16
ST10078761	HL34	485 (19")	495 (19 1/2")	550 (21 1/2")	1700 (67")	1100 (43")	535 (21")	65	8.25R17, 750R20
ST10078762	HL38C	510 (20")	520 (20 1/2")	660 (26")	2050 (81")	1320 (52")	685 (27")	75	18.00R19.5, 18.00R22.5, 445/65R19.5
ST10078763	HL39B	530 (21")	540 (21 1/4")	510 (20")	1610 (63 1/2")	1020 (40")	515 (20")	65	9.5R17.5, 10.00R17.5, 9.0R19.5, 245/70R19.5, 235/70R17.5
ST10073438	HL40	550 (21 1/2")	560 (22")	550 (21 1/2")	1700 (67")	1100 (43")	540 (21 1/4")	70	9.0R16, 9.0R20, 10.00R22.5
ST10078764	HL41	550 (21 1/2")	560 (22")	635 (25")	1930 (76")	1270 (50")	600 (23 1/2")	70	10.00R20, 10.00R22.5
ST10078765	HL42B	595 (23 1/2")	605 (23")	550 (21 1/2")	1700 (67")	1100 (43")	540 (21 1/4")	70	265/70R 19.5
ST10078766	HL43A	610 (24")	620 (24")	640 (25")	1930 (76")	1280 (50 1/4")	600 (23 1/2")	70	10.00R20, 11.00R22.5
ST10078786	HL43D	610 (24")	620 (24")	550 (21 1/2") <sup>1</sup>	1790 (70")	1100 (43")	580 (23")	70	255/75R15, 265/70R15, 10.00R15, 265/70R17.5, 265/70R19.5, 285/70R19.5, 11/70R22.5, 275/70R22.5, 285/60R22.5, 12/80R22.5
ST10074744	HL45A	650 (25 1/2")	660 (26")	650 (25 1/2")	2090 (82")	1300 (51")	680 (26 3/4")	75	11.00R20, 12.00R22, 12/80R22.5, 315/75R22.5, C22.5 PILOTE
ST10078768	HL45B	650 (25 1/2")	660 (26")	650 (25 1/2")	1900 (75")	1300 (51")	580 (23")	75	295/80R22.5, 305/70R19.5, 275/80R22.5, 12/80R20
ST10072870	HL47	670 (26 1/2")	680 (26 3/4")	685 (27")	2090 (82")	1375 (54 1/2")	660 (26")	75	12.00R22.5, 11.00R24, 315/80R22.5, 12.00R22
ST10078769	HL47B	670 (26 1/2")	680 (26 3/4")	540 (21 1/4")	1700 (67")	1080 (42 1/2")	540 (21 1/4")	65	305/60R22.5, 10.00R20, 305/70R19.5, 275/70R22.5, 11/70R22.5
ST10078770	HL47M	670 (26 1/2")	680 (26 3/4")	710 (28")	2090 (82")	1425 (57")	640 (25")	75	12.00R24

Notes:

General

# Mudwing Equipment

## Jonesco Tandem Bridge Mudwings

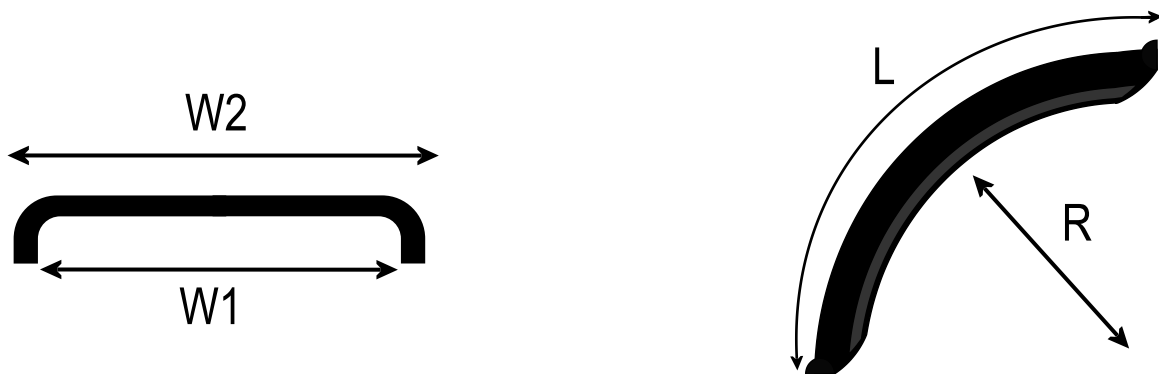


Part No.	Ref	Width W1	Width W2	Radius (R)	Length (L)	Span (S)	Height (H)	Axle (E)	Tyre Recommendation
ST10074051	JT610	620 (24 1/2")	640 (25")	635 (25")	3290 (129")	2675 (105")	610 (24")	1370 (54")	9.00R20, 10.00R20, 11R22.5, 12.00R22.5
ST10074670	JT650N	650 (25 1/2")	670 (26 1/2")	635 (25")	3385 (133")	2670 (105")	620 (24")	1400 (55")	12.00R22.5, 11.00R20,E20, 12/80R22.5, 13R22.5,315/80R22.5

Notes:

General

## Jonesco Half Wings

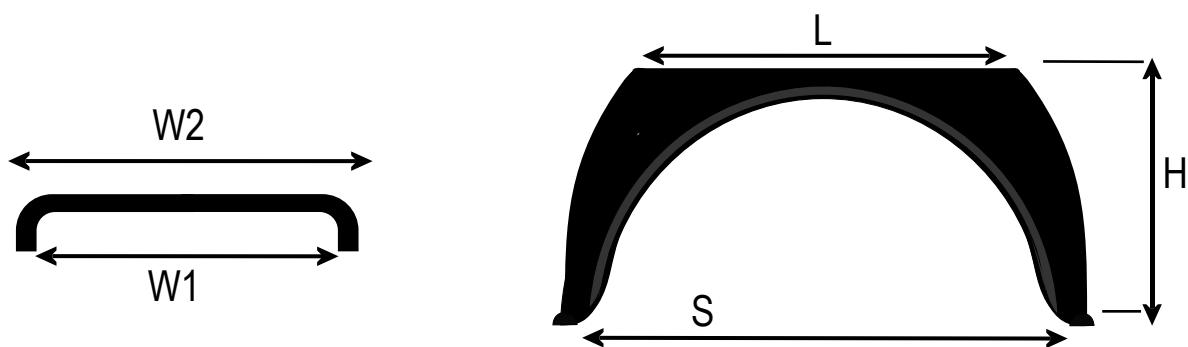


Part No.	Ref	Width W1	Width W2	Radius (R)	Length (L)	Tyre Recommendation
ST10078771	HLS31	450 (18")	460 (18 1/4")	640 (25")	650 (25 1/2")	
ST10078772	HLS43A	610 (24")	620 (24")	640 (25")	650 (25 1/2")	
ST10078773	HLS45A	650 (25 1/2")	660 (26")	640 (25")	650 (25 1/2")	
ST10078774	HLS47	670 (26 1/2")	680 (26 3/4")	685 (27")	650 (25 1/2")	
ST10071225	JS30A	455 (18 1/2")	475 (18 1/2")	690 (27 1/2")	660 (26")	13.00R20, 14.00X20, G20
ST10074096	JS43A	610 (24")	630 (24 1/2")	640 (25")	640 (25")	10.00X20, 11.00X22.5, 11.00X20, 12X22.5
ST10078775	JS45A	650 (25 1/2")	650 (25 1/2")	640 (25")	640 (25")	1.00X20, 12.00X22.5
ST10078776	JS47	670 (26 1/2")	690 (27")	640 (25")	640 (25")	12.00X20
ST10078777	JXS21	405 (15 1/2")	420 (16 1/2")	670 (26 1/2")	670 (26 1/2")	
ST10078778	JXS45	655 (26")	670 (26 1/2")	670 (26 1/2")	670 (26 1/2")	

Notes:

# Mudwing Equipment

## Jonesco Flat Top Mudwings



Part No.	Ref	Width W1	Width W2	Length (L)	Span (S)	Height (H)	Tyre Recommendation
ST10078749	J06F	260	275 (11")	500 (19 1/2")	895	480 (18 1/2")	18R14, 195R14, 205R15, 215R15, 215R16
ST10078750	J25SF	410 (16")	430 (17")	665 (25 1/2")	880 (34 1/2")	450 (17 3/4")	185R14, 175R14, 6.50R14, 165R14,
ST10078751	J27F	450 (17 3/4")	470 (18 1/2")	500 (19 1/2")	880 (34 1/2")	450 (18 1/2")	185R14,205R14,215R14,185R15,185R16, 175R16
ST10078752	J36F	450 (17 3/4")	470 (18 1/2")	700 (27 1/2")	1320 (52")	710 (28")	15R20, 405/70R20, 16/70R20, 16.5R22.5, 315/80R22.5
ST10078753	JX37F	495 (19 1/2")	515 (20 1/2")	510 (20")	1000 (39")	550 (21 1/2")	700-15,7.50-15, 7.50R15, 8.25R15,7.00R16, 7.00-16C, 7.00R16C,205R16 215,R16 7.50-16C,7.50R16, 8.00R17.5,8R17.5, 8R17.5C,8.5R17.5, 8.5R17.5L
ST10077891	J41F	550 (21 1/2")	570 (22 1/2")	630 (25")	1130 (44 1/2")	550 (21 1/2")	8.25-15,8.25-16, 225/75R16,8.25R17, 9R17.5, 205/75R17.5,215/75R17.5,225/75R17.5,10R17.5,8R19.5
ST10074118	J46F	650 (25 1/2")	670 (26 1/2")	750 (29 1/2")	1360 (53 1/2")	720 (28 1/4")	9.00-20, 10.00R20, 10R22.5,11 R22.5, 12R22.5, E22.5 Pilote X

Notes:

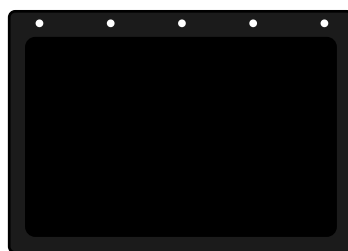
### Spray Suppression Mud Flaps



Part No.	Width (mm)	Depth (mm)
ST10071026	380 (15")	560 (22")
ST10071027	400 (16")	560 (22")
ST10072957	460 (18")	1060 (42")
ST10072960	460 (18")	1220 (48")
ST10072958	560 (22")	560 (22")
ST10071028	610 (24")	560 (22")
ST10073232	610 (24")	1060 (42")
ST10073508	610 (24")	1220 (48")
ST10071191	650 (25 1/2")	650 (25 1/2")
ST10071154	650 (25 1/2")	550 (21 1/2")
ST10071031	660 (26")	1220 (48")
ST10073741	700 (27 1/2")	650 (25 1/2")

Notes:

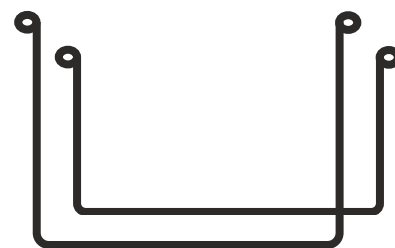
### Rubber Mud Flaps



Part No.	Width (mm)	Depth (mm)
ST10078785	406 (16")	305 (12")
ST10078786	457 (18")	305 (12")
ST10078787	508 (13")	305 (12")
ST10078788	533 (21")	305 (12")
ST10078789	533 (21")	457 (18")
ST10074694	559 (22")	305 (12")
ST10078790	559 (22")	406 (16")
ST10073455	559 (22")	457 (18")
*ST10071397	559 (22")	914 (36")
ST10071128	609 (24")	457 (18")
*ST10078791	609 (24")	914 (36")

Notes: \* Requires retainer frame ST10079793

### Retainer Frames



Part No.	Width (mm)	Depth (mm)
ST10079792	370 (15")	480 (19")
ST10074382	370 (15")	680 (27")
ST10079793	370 (15")	780 (31")
ST10079794	370 (15")	870 (34")
ST10079795	Bolt Pack	

Notes: Sold in pairs

# Mudwing Equipment

## Adjustable Fixing Kit - Jonesco



Part No.	Tube Size	Adjustable Range
ST10078779	34mm	150mm
ST10078780	38mm	150mm
ST10073073	40mm	150mm
ST10078781	42mm	150mm
ST10078782	50mm	150mm

Notes: 340mm Long

## U Bolt Fixing Kit



Part No.	Tube Size	Back Plate Size	Mudwing Size
ST10073688	38mm	254 x 82mm	Up to 530mm Wide
ST10074311	42mm	254 x 82mm	Up to 530mm Wide
ST10072080	34mm	254 x 82mm	Up to 530mm Wide

Notes:

## U Bolt Clamp - Parlok



Part No.	Tube Size
ST10073312	35mm
ST10079259	42mm
ST10079260	48mm

Notes:

## IT Fixing Kit (Adjustable)



Part No.	Tube Size
ST10079358	33.5mm - 35mm
ST10071904	41mm - 42.9mm
ST10079254	48mm - 49.9mm
ST10079255	50mm - 51.9mm

Notes: For use with Boydell & Jacks adjustable mudwings

## IT Fixing Kit (Standard)



Part No.	Tube Size
ST10071139	33.5mm - 35mm
ST10072316	41mm - 42.9mm
ST10073460	48mm - 49.9mm
ST10071140	50mm - 51.9mm

Notes: For use with Boydell & Jacks standard mudwings

## IT Fixing Kit (Heavy Duty)



Part No.	Tube Size
ST10079256	41mm - 42.9mm
ST10079257	48mm - 49.9mm
ST10079258	50mm - 51.9mm

Notes: For use with Alloy chequer mudwings

## Euro Clamp Bracket - Jonesco



Part No.	Tube Size
ST10073811	38mm - 42mm

Notes:

## XPF Fixing Kit



Part No.	Tube Size
ST10071282	33.5mm - 35mm
ST10073246	41mm - 43mm
ST10076514	48mm - 50mm

Notes:

## Mudwing Bracket - COBO



Part No.	Tube Size
ST10570018	42mm

Notes:



# Mudwing Equipment

## Mudwing Bracket - COBO



Part No.	Tube Size
ST10570017	42mm

Notes:

## Mudwing Stay Bracket - COBO



Part No.	Tube Size
ST10570024	42mm

Notes:

## Mudwing Stay - COBO



Part No.	Tube Dia	Length
ST10570015	42mm	440mm

Notes:

## Wing Stay (Cranked, 1 Bolt)



Part No.	Tube Dia	Length
ST10072937	42mm	590mm
ST10071281	34mm	750mm
ST10073926	34mm	585mm
ST10071863	34mm	750mm
ST10073987	42mm	800mm

Notes:

## Wing Stay (Straight, 1 Bolt)



Part No.	Tube Dia	Length
ST10074475	35mm	540mm
ST10072729	35mm	580mm
ST10076707	35mm	685mm
ST10077222	42mm	600mm

Notes:

## Wing Stay (Cranked, 3 Bolt)



Part No.	Tube Dia	Length
ST10072049	34mm	680mm
ST10072766	42mm	680mm
ST10073812	34mm	800mm
ST10071179	38mm	785mm
ST10073454	34mm	770mm
ST10077655	42mm	800mm
ST10073403	35mm	780mm

Notes:

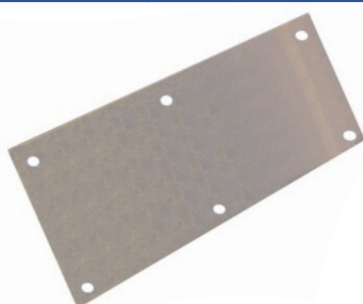
## Wing Stay (Straight, 3 Bolt)



Part No.	Tube Dia	Length
ST10072024	34mm	650mm
ST10074898	42mm	650mm
ST10074884	38mm	810mm
ST10073454	35mm	750mm

Notes:

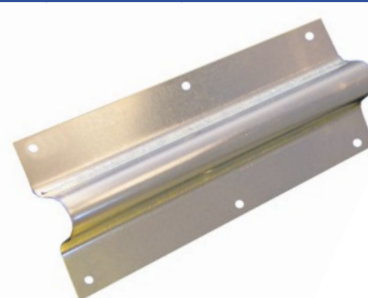
## Back Plates - Jonesco



Part No.	Size	For Saddle
ST10071145	404mm x 152mm	ST10071145, ST10072098, ST10073404, ST10072302
ST10073344	280mm x 152mm	ST10078783, ST10078784

Notes:

## Saddles - Jonesco



Part No.	Tube Size	Size	For Plate
ST10071146	34mm	110mm x 405mm	ST10071145
ST10078783	34mm	110mm x 280mm	ST10073344
ST10072098	38mm	110mm x 405mm	ST10071145
ST10073404	41mm	105mm x 405mm	ST10071145
ST10078784	41mm	105mm x 280mm	ST10073344
ST10072302	51mm	120mm x 405mm	ST10071145

Notes:

General

# TANKER

Description	Page No.	Description	Page No.
<b>COBO</b>		Dip Tubes	6.15
Air Filter Regulator	6.7	Emergency Stop Valve	6.13
Air Spring Mounting Bracket	6.10	Footvalves	6.17
Air Tank	6.7	Guard Bar Interlock	6.16
API Guard Bar Brackets	6.5 - 6.6	Hydrapak 3 Oil Filter	6.17
API Valves	6.4 - 6.5	Hydraulic Flow Control Valve	6.17
Ball Valve	6.10	In Line Filters	6.17
Bottom Sockets (Liberty)	6.3	Manifold Valves	6.17
Bumpers	6.9	Manlids	6.14 - 6.15
Cargo Pump	6.10	Oil & Antifreeze Lubricant	6.14
Control Box Key	6.11	Pressure Gauges	6.14
Control Box Lock	6.11	Pressure Vent Valve	6.15
Dip Tubes	6.2	Printer & Battery Console	6.14
Earth Tank Strap	6.7	PTO Switch	6.13
Emergency Stop Valves	6.4	Remote Cut Off	6.13
Foot Valves	6.6 - 6.7	SDS Battery	6.14
Gas Struts	6.6	SDS Key Pad Console	6.14
Guard Bar Interlock Valves	6.5	SDS Printer	6.14
In Line Filter	6.10	Sequential Vent Valves	6.15
Landing Legs	6.10	Shear Couplings	6.17
Liberty Equipment	6.3 - 6.4	Sight Glasses	6.17
Manlids	6.2	Smart Vents	6.15
Mudwing Equipments	6.8 - 6.9	Vapour Recovery Hoses	6.15
Optic Probes (Liberty)	6.4	Vapour Recovery Valves	6.16
Pownall Valve	6.7	Visiwinks	6.13 - 6.14
Rear Lamp Mounts	6.9 - 6.10	<b>Grade Product Indicators</b>	6.18
Shuttle Valves	6.7	<b>Hose Strap</b>	6.7
Sight Glass	6.10	<b>Liberty - See Cobo</b>	
Tool Boxes	6.11	<b>Pressure Vent Valves</b>	6.15
Vapour Recovery Valves	6.3	<b>Scully</b>	
<b>Drum - See Gardner Denver</b>		Electronic Dummy	6.12
<b>Emco Wheaton - See Gardner Denver</b>		Interlock Switch	6.12
<b>Gardner Denver</b>		Pressure Switch	6.12
Air Service Unit	6.13	Probes	6.12
API Valves	6.16	Sockets	6.12
Control Cabinets	6.13	Wiring Loom	6.12
Control Cabinets Valves	6.13	<b>TIM Unit</b>	6.7
Dip Tube Interlock	6.15 - 6.16		

# COBO Equipment

20" Manlid



Part No. ST10570087

Notes:

Manlid Gasket



Part No. ST10570032

Notes:

EPRV Lever Arm



Part No. ST10570117

Notes:

PRV Lid Cross Beam



Part No. ST10570034

Notes:

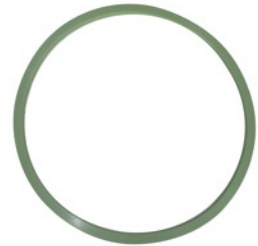
EPRV Lid



Part No. ST10570033

Notes:

EPRV Lid Seal



Part No. ST10570030

Notes:

EPRV Lid Spring



Part No. ST10570031

Notes:

Manlid Lock



Part No. ST10570016

Notes:

Dummy Mandrel Assembly



Part No. ST10570007

Notes:

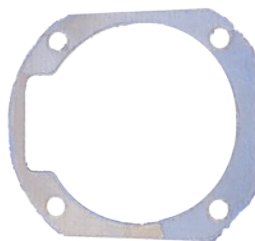
Dip Tube Cap & Chain



Part No. ST10570045

Notes:

Dip Tube Gasket



Part No. ST10570046

Notes:

Dip Tube Adaptor Flange



Part No. ST10570123

Notes:

TANKER

## Civicon Vapour Vent Valve



**Part No.** ST10570062

Notes: Comes with gasket

## Vapour Recovery Valve



**Part No.** ST10570005

**Seal Kit** ST10570124

Notes:

## Vapour Recovery Hose



**180mm Part No.** GB8171110

**305mm Part No.** GB8171020

**350mm Part No.** ST10570072

Notes:

## Vapour Recovery Valve



**Part No.** ST10570004

**Gasket Part No.** ST10570051

Notes:

## Vapour Recovery Valve Cap



**Part No.** ST10570058

Notes:

## Vapour Recovery Interlock Valve



**Part No.** ST10570047

Notes:

## Vapour Recovery Valve Seal Kit



**Part No.** ST10570124

Notes:

## 3" Vapour Vent Repair Kit - Civicon



**Part No.** ST10570121

Notes:

## Sight Glass Kit - API & VR Valves



**Part No.** ST10570040

Notes:

## Bottom Socket



**Part No.** ST10570088

Notes: Comes with interlock switch

## Socket Face Plate



**Part No.** ST10570089

Notes: Comes with interlock switch

## Socket Cap



**Part No.** ST10570083

Notes:

# COBO Equipment

**Brake Interlock Switch**



**Part No.** ST10570025

Notes:

**Optic Probe Complete**



**Part No.** ST10078384

**Size** 18"

Notes:

**Optic Probe**



**Part No.** ST10570090

**Size** 18"

Notes:

**Optic Probe Holder - Liberty**



**Part No.** ST10570125

Notes:

**Visiwink Assembly**



**Part No.** ST10570080

Notes:

**Emergency Stop Valve**



**Part No.** ST10570019

Notes:

**API Valve**



**Part No.** ST10570001

**Round Gasket** ST10570053

**Seal Kit** ST10570023

Notes:

**Nose Cone - API Valve**

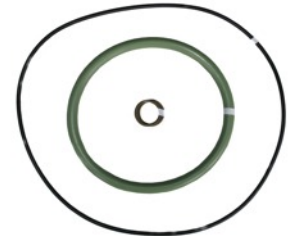


**Cone Part No.** ST10570036

**O Ring** ST10570037

Notes:

**API Valve Seal Kit**



**Part No.** ST10570039

Notes:

**Handle Kit - API Valve**



**Part No.** ST10570038

Notes:

**Civicon API Handle Repair Kit**



**Part No.** ST10570067

Notes:

**API Valve Cap**



**Part No.** ST10570044

Notes:

TANKER

API Pin



Part No. ST10570049

Notes:

API Pin



Part No. ST10570048

Notes:

Clamping Lever Kit



Lever Part No. ST10570091

Pin Part No. ST10570054

Notes:

Clamping Lever Kit



Lever Part No. ST10570092

Bush Part No. ST10570093

Pin Part No. ST10570055

Notes:

API Valve Cap



Part No. ST10570065

Notes:

API Valve Cap



Part No. ST10570119

Notes:

Cam Arm Repair Kit



Part No. ST10570118

Notes:

API Valve Cap Seal



Part No. ST10570059

Notes:

Guard Bar Interlock Valve



Part No. ST10570008

Notes:

API Chain



Cap Part No. ST10570078

Ring Part No. ST10570079

Notes:

Api Drain Plug



Part No. ST10570057

Notes:

API Guard Bar Catch



Part No. ST10570060

Notes:

# COBO Equipment

API Guard Bar Bracket



Part No. ST10570097

Notes:

API Guard Bar Bracket



Part No. ST10570098

Notes:

API Guard Bar Bracket



Part No. ST10570096

Notes:

API Guard Bar Bracket



Part No. ST10570094

Notes:

API Guard Bar Bracket



Part No. ST10570095

Notes:

Bush Ring



Part No. ST10570081

Notes:

Nylon Bush



Part No. ST10570099

Notes:

Gas Strut



Part No. ST10570100

Notes:

Low Profile Footvalve Seal Kit



Part No. ST10570029

Notes:

Foot Valve - Low Profile



Valve Part No. ST10570003

Square Gasket ST10570056

Round Gasket ST10570051

Notes:

Foot Valve - Standard



Valve Part No. ST10570002

Square Gasket ST10570056

Round Gasket ST10570051

Notes:

Standard Footvalve Seal Kit



Part No. ST10570021

Notes:

TANKER

# COBO Equipment

Foot Valve Operator



Part No. ST10570064

Notes:

Weld In Foot Valve Flange



Part No. ST10570122

Notes:

TIM Unit



Part No. ST10077532

Notes:

Shuttle Valve



Part No. ST10570066

Notes:

Pownall Valve



Part No. ST10073171

Notes:

Wax Coated Hose Strap 36"



Part No. ST10570082

Notes:

Earth Tank Strap



2.2m Part No. ST10570102

1.9m Part No. ST10570103

Notes:

Air Filter Regulator



Part No. ST10570052

Notes:

Aluminium Air Tank



60 Litre Part No. ST10570026

40 Litre Part No. ST10570101

Notes:

TANKER



Mudwing With Rubber Insert



Part No. ST10570050

Notes: Super Single Trailer Mudwing

Mudwing Clamp - 42mm



Part No. ST10570018

Notes:

Mudwing Bracket - 42mm



Part No. ST10570108

Notes:

Mudwing Bracket - 42mm



Part No. ST10570017

Notes:

Mudwing Stay Bracket - 42mm



Part No. ST10570024

Notes:

Mudwing Stay



Part No. ST10570110

Notes:

Mudwing Stay Cranked One Bolt



Part No. ST10570106

Size 34mm x 550mm

Type Single Bolt

Notes:

Mudwing Stay Cranked One Bolt



Part No. ST10570107

Size 42mm x 780mm

Type Single Bolt

Notes:

Mudwing Stay Straight One Bolt



Part No. ST10570015

Size 42mm x 440mm

Type Single Bolt

Notes:

Mudwing Stay



Part No. ST10570104

Size 42mm x 530mm

Type Weld On

Notes:

Mudwing Stay



Part No. ST10570077

Size 41mm x 430mm

Type Weld On

Notes:

Mudwing Stay



Part No. ST10570105

Size 42mm x 640mm

Type Bolt On

Notes:

Mudwing Backing Plate



Part No. ST10570109

Notes:

Mudwing Stay End Cap - 35mm



Part No. ST10570132

Notes:

Mudwing Stay Bung - 40mm



Part No. ST10570133

Notes:

Under Run Bumper Complete



Part No. ST10570112

Notes:

Bosanko Bumper



Part No. ST10570111

Notes:

Bosanko End Cap



Cap Part No. ST10570113

Screw Part No. ST10570114

Notes:

Bumper End Cap - 100mm x 100mm



Part No. ST10570137

Notes:

End Cap 100mm x 50mm



Part No. ST10570134

Notes:

Under Run Bumper Mounting



Part No. ST10570136

Notes:

Rear Under Run Support Bracket



Part No. ST10570135

Notes:

Rear Lamp Mount Alloy



Part No. ST10570084

Notes:

Rear Lamp Mount Alloy



Part No. ST10570085

Notes:

Rear Lamp Mount S/S



Part No. ST10570116

Notes:

Rear Lamp Mount S/S



Part No. ST10570115

Notes:

Brush & Shovel Holder



Part No. ST10570143

Notes:

Landing Legs Comes with Rocking Feet



Part No. ST10570141

Notes:

Landing Leg Catch



Part No. ST10570061

Notes:

Air Spring Mounting Bracket



Part No. ST10570142

Notes:

In Line Filter - Fine



Part No. ST10570126

Notes:

In Line Filter - Course



Part No. ST10570127

Notes:

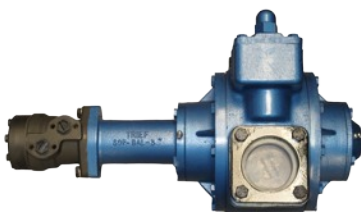
Sight Glass



Part No. ST10570128

Notes:

TRIEF Cargo Pump



Part No. ST10570129

Notes: Comes with OER100 Motor

3" Ball Valve



Part No. ST10570130

Notes:

Ball Valve Flange



Part No. ST10570131

Notes:

Tool Box - Plastic



Part No. ST10570071

Notes:

Tool Box - Chequer Plate



Part No. ST10570014

Notes:

Tool Box Lock



Part No. ST10570086

Notes:

Tool Box Lock Assembly



Part No. ST10570138

Notes:

Tool Box Door Lock



Part No. ST10570139

Notes:

Tool Box Hinge



Part No. ST10570140

Notes:

Control Box Key



Part No. ST10570013

Notes:

Control Box Key - Civicon



Part No. ST10570070

Notes:

Control Box Lock



Part No. ST10570020

Notes:

Control Box Key - Civicon



Part No. ST10570069

Notes:

TANKER

# Scully Equipment

**Bottom Socket**



**Part No.** ST10076817

Notes:

**Socket Face Plate Kit**



**Part No.** ST10077153

**Type** Without Interlock

Notes:

**Socket Face Plate Kit**



**Part No.** ST10074790

**Type** With Interlock Hole

Notes:

**Socket Cap**



**Part No.** ST10071421

Notes:

**Pressure Switch**



**Part No.** ST10077156

Notes: Does not come with rubber boot

**Interlock Switch**



**Part No.** ST10071418

Notes:

**Fuse Holder**



**Part No.** ST10079262

Notes:

**Electronic Dummy**



**Part No.** ST10071420

Notes:

**Wiring Loom**



**Part No.** ST10079263

Notes:

**Optic Probe Complete**



Part No.	Size
ST10079313	12"
ST10079264	15"

Notes:

**Optic Probe**



Part No.	Size
ST10078700	7"
ST10073706	12"
ST10078704	15"

Notes:

**Adaptor Plate**



**Part No.** ST10079265

Notes:

**Standard Cap**



**Part No.** ST10079266

**Size** 54mm

Notes:

**Probe Body Gasket**



**Part No.** ST10079267

Notes:

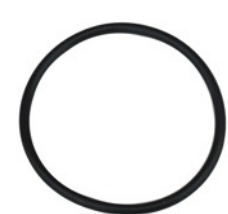
**Locking Ring**



**Part No.** ST10079268

Notes:

**Probe Body O-Ring**



**Part No.** ST10079269

Notes:

TANKER

## Control Cabinet 6 Compartment



Part No. \*ST10370026

Part No. \*\*ST10370065

Notes: \*Without Yellow Guard Bar Valve  
\*\*With Yellow Guard Bar Valve

## Yellow Control Valve



Valve Part No. GB8171008

Knob Part No. GB8171009

Notes:

## Blue Control Valve



Valve Part No. GB8171006

Knob Part No. GB8171007

Notes:

## Green Control Valve



Valve Part No. GB8171002

Knob Part No. GB8171003

Notes:

## Compartment Control Valve



Compartments 1 - 7 GB8171004

Last Compartment ST10370003

Knob Part No. GB8171005

Notes:

## Visiwink



Red - Green ST10072379

Red - Black ST10073780

Black - Red GB8171107

Notes:

## Remote Cut Off



Part No. GB8171012

Notes:

## Emergency Stop Valve



Part No. ST10074586

Notes:

## PTO Switch



Part No. GB8171149

Notes:

## Control Cabinet Key



Part No. GB8171094

Notes:

## Control Cabinet Lock



Part No. ST10073768

Notes:

## Air Service Unit



With Gauge GB8174586

Gauge Part No. ST10072211

Vented Ball Valve ST10370052

Notes:

## Oil & Antifreeze Lubricant



**Part No.** ST10370006

Notes:

## Printer & Battery Console



**Part No.** GB8171028

Notes:

## SDS Battery



**Part No.** GB8174421

Notes:

## SDS Key Pad Console



**Part No.** ST10073699

Notes:

## SDS Printer



**Part No.** GB8171030

Notes:

## Visiwink



**Black - Green** ST10071819

**Green - Black** ST10071820

**Orange - Green** ST10072379

Notes:

## Pressure Gauge



**Part No.** GB8171146

**Pressure - Bar** 0 - 6

**Pressure - PSI** 0 - 86

Notes:

## Pressure Gauge



**Part No.** GB8171106 GB8171105

**Pressure - Bar** 0 - 11 0 - 10

**Pressure - PSI** 0 - 160 0 - 145

Notes:

## 20" Manlid



**RH Part No.** ST10370032

**LH Part No.** ST10370033

Notes:

## Fill Cap Cover Arm Assy



**R/H Part No.** ST10370035

**L/H Part No.** ST10370034

**Seal Part No.**

Notes:

## Fill Cap Cover Arm Assy



**Arm Part No.** ST10370036

**Seal Part No.** GB8171014

**Viton Seal Part No.** ST10370054

Notes:

## Man Lid Gasket 20"



**Cork Part No.** GB8174846

**Viton Part No.** ST10370028

Notes:

## Smart Vent



Part No.	GB8171011
Gasket Part No.	ST10370024
Viton Gasket	ST10370024
Notes:	

## 4" Sequential Vent Valve



Part No.	GB8171018
Notes:	

## 3" Sequential Vapour Vent



Part No.	ST10370037
Cork Gasket	ST10370038
Viton Gasket	ST10370024
Notes:	

## Manlid Key



Part No.	GB8171103
Notes:	

## Dip Tube Complete



Part No.	ST10370039
Notes:	

## Dip Tube Cap



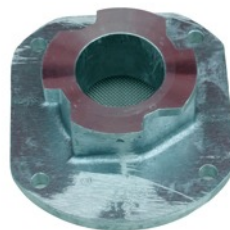
Part No.	ST10370040
Notes:	

## Vapour Recovery Hose



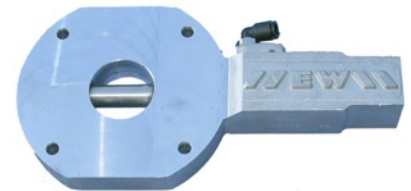
180mm Part No.	GB8171110
305mm Part No.	GB8171020
350mm Part No.	ST10570072
Notes:	

## Dip Tube Flange



Part No.	ST10370041
Notes:	

## Dip Tube Interlock



4mm Part No.	GB8171043
6mm Part No.	GB8171044
Notes:	

## Dip Tube Gasket



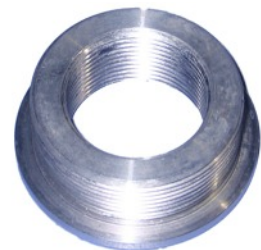
Conductive Gasket	GB8171052
Cork Gasket	GB8171058
Viton Gasket	ST10370025
Notes:	

## Pressure Vent Valve (PVV)



Part No.	ST10077460
Pressure	100mb / 20mb
Size	1 1/4" BSP
Notes:	

## PVV Adaptor



Part No.	ST10077460
Male Thread	2" BSP
Female Thread	1 1/4" BSP
Notes:	

TANKER



**Manlid Key**



**Part No.** ST10074351

Notes:

**Manual API Valve**



**Valve Part No.** GB8171046

**Viton Gasket** ST10370017

Notes:

**API CAP**



**Cap Part No.** GB8171024

**Gasket Part No.** GB8171062

**Cam Arm Kit No.** ST10370016

Notes:

**API Nose Ring Cone**



**Part No.** GB8171023

Notes:

**API Lever**



**Part No.** GB8174775

Notes:

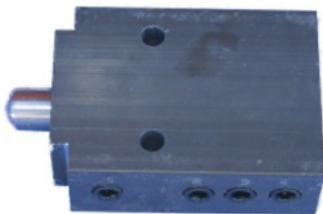
**Sight Glass**



**Part No.** ST10071348

Notes:

**Guard Bar Interlock**



**Part No.** GB8171025

Notes:

**Dip Tube Interlock Assembly**



**Part No.** GB8171045

Notes:

**Vapour Recovery Valve**



**Valve Part No.** GB8171010

**Cork Gasket** ST10071347

**Viton Gasket** ST10370017

Notes:

**Interlock Valve**

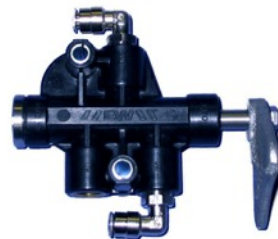


**Part No.** ST10072214

**Fittings** 2 x 4mm

Notes:

**Interlock Valve**

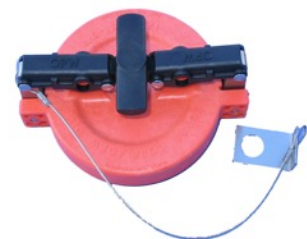


**Part No.** GB8171042

**Fittings** 2 x 6mm

Notes:

**Vapour Recovery Cap**



**Part No.** GB8171104

Notes:

## In Line Filter Assembly



450 Micron	ST10370042
1000 Micron	GB9090615
3000 Micron	ST10370043

Notes:

## In Line Filter



450 Micron	ST10370044
1000 Micron	ST10370045
3000 Micron	ST10370046

Notes:

## Sight Glass 40mm



Part No.	*ST10370047
Part No	**ST10370048

Notes: \*Max 10% Ethanol  
\*\*Ethanol

## Standard Footvalve



Valve Part No.	GB8171015
Cylinder Kit	GB8171034
Gasket Kit	GB8171017

Notes:

## Low Profile Footvalve



Part No.	GB8171016
Cylinder Kit	GB8171034
Gasket Kit	GB8174400

Notes:

## Poppet Assembly



Part No.	GB8171035
----------	-----------

Notes:

## Manifold Valve 4"



Part No.	GB8174797
Gasket	ST10370017
Main Seal	GB8174798
O Ring	GB8174786
Viton O Ring	ST10370067
Seal Kit	GB8171036

Notes: Without Product Return

## Manifold Valve 4"



Part No.	ST10370053
Gasket	ST10370017
Main Seal	GB8174798
O Ring	GB8174786
Viton O Ring	ST10370067
Seal Kit	GB8171036

Notes: With Product Return

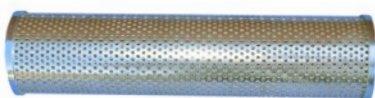
## Product Transfer Spout



Part No.	ST10370049
Gasket Kit	ST10370050

Notes:

## Hydrapak 3 Oil Filter



Part No.	GB8171133
----------	-----------

Notes:

## Hydraulic Flow Control Valve



Part No.	GB8171154
----------	-----------

Notes:

## Shear Couplings



DB2 Part No.	ST10370020
DB3 Part No.	ST10370064

Notes:

# Grade Product Indicators

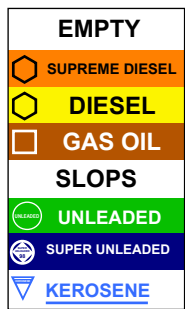
**Grade Product Indicators**



Small 10 Turn Part No.	ST10079318
Large 8 Turn Part No.	ST10073645
Large 10 Turn Part No.	ST10079319

Notes:

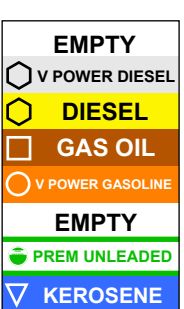
**Indicator Label**



Part No.	ST10079320
Size	8 Turn / Large
Customer	Esso

Notes:

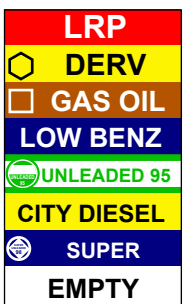
**Indicator Label**



Part No.	ST10079323
Size	8 Turn / Large
Customer	Shell

Notes:

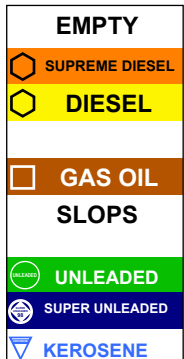
**Indicator Label**



Part No.	ST10079324
Size	8 Turn / Large
Customer	Tesco / Sainsburys

Notes:

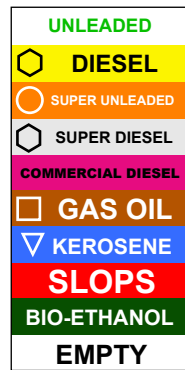
**Indicator Label**



Part No.	ST10079327
Size	10 Turn / Small
Customer	Esso

Notes:

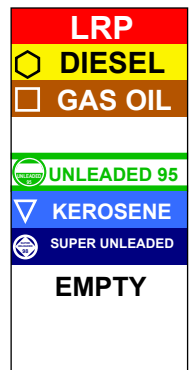
**Indicator Label**



Part No.	ST10079329
Size	10 Turn / Large
Customer	Hoyer Petrolog

Notes:

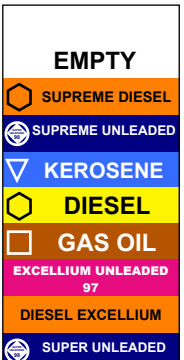
**Indicator Label**



Part No.	ST10079330
Size	10 Turn / Small
Customer	Shell / Asda / Morrisons

Notes:

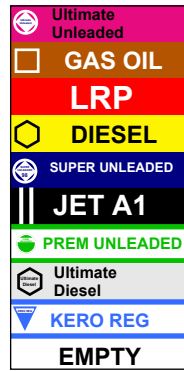
**Indicator Label**



Part No.	ST10079331
Size	10 Turn / Small
Customer	Esso / Rontec

Notes:

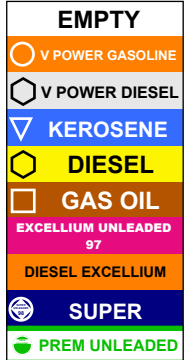
**Indicator Label**



Part No.	ST10079332
Size	10 Turn / Small
Customer	BP

Notes:

**Indicator Label**



Part No.	ST10079333
Size	10 Turn / Large
Customer	Shell / Rontec

Notes:

TANKER

**Notes:**

**Notes:**

**Notes:**

**Notes:**

**Notes:**



**Notes:**

All brands marks images and associated copyright and other intellectual property (including Part Numbers where relevant) are owned by Scania, or the respective producers, owners, or distributors of other makes. No rights or licences are granted to any third party without the express prior written agreement of the owner.

Any third party supplier/manufacturer Part Numbers are displayed for comparative purposes only, and are not a statement of origin or manufacture of the product available.

This catalogue replaces all previous versions. Every effort is made to ensure accuracy but Scania is not liable for any errors or omissions. Inclusion of any product or service is not an offer capable of acceptance, and any orders must be placed and accepted by Scania or any selling dealer on their standard terms of sale. Scania standard terms of sale apply to any use of or enquiry relating to this catalogue/on line publication, and are available on [www.scania.co.uk](http://www.scania.co.uk) or your local Scania Dealer.

Images are for illustrative purposes only and products available or supplied may vary in finish or other detail without affecting functionality.

Sales are subject to the warranty and limitations applying to the product and relevant manufacturer/supplier. All products are subject to availability and the prevailing price at time of binding order.

Document Number: SL 5451450

Date of issue: Jan 2014





**VRS**

VEHICLE RELATED  
SERVICES